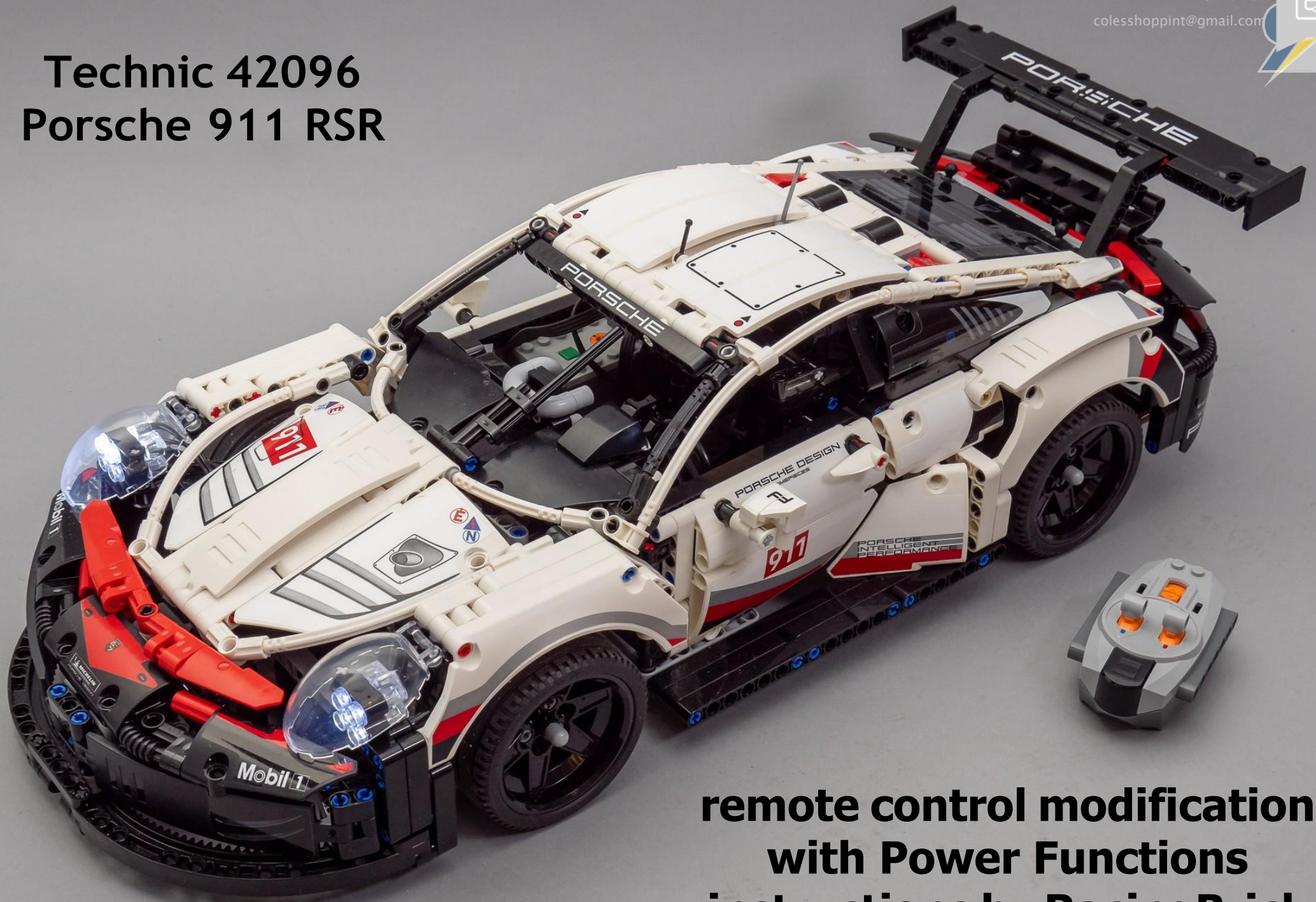
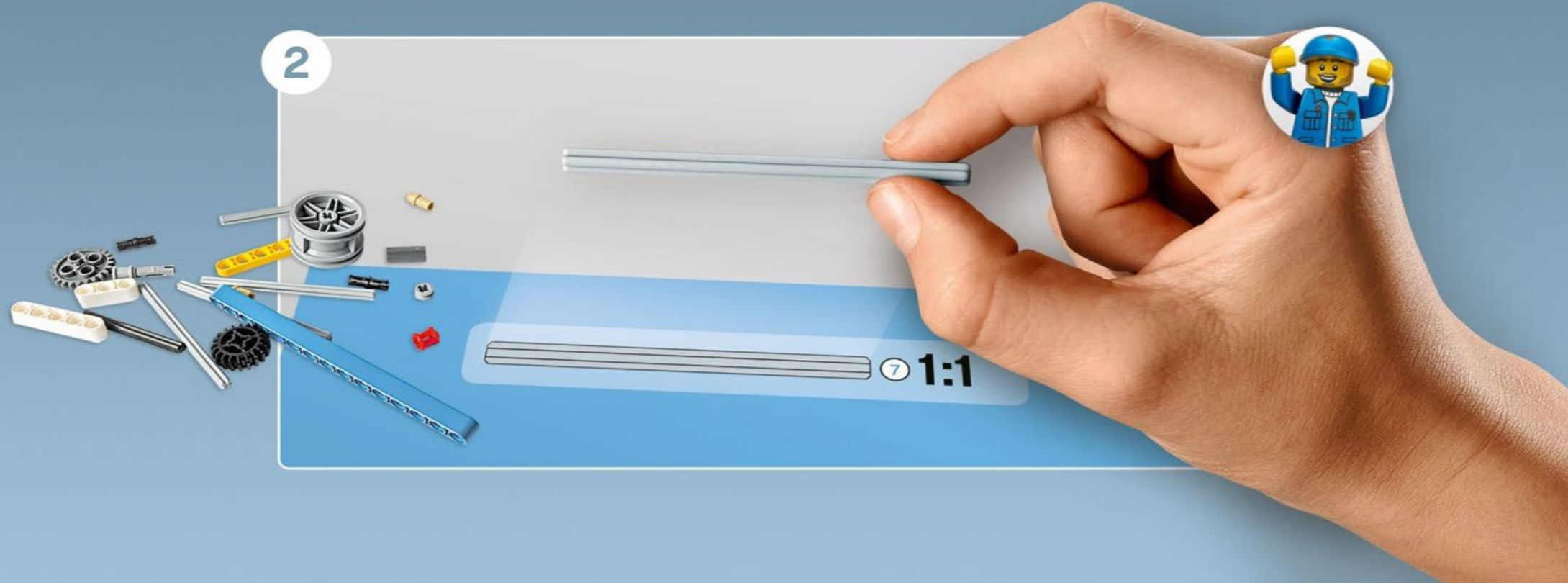




Technic 42096 Porsche 911 RSR



**remote control modification
with Power Functions
instructions by RacingBrick**



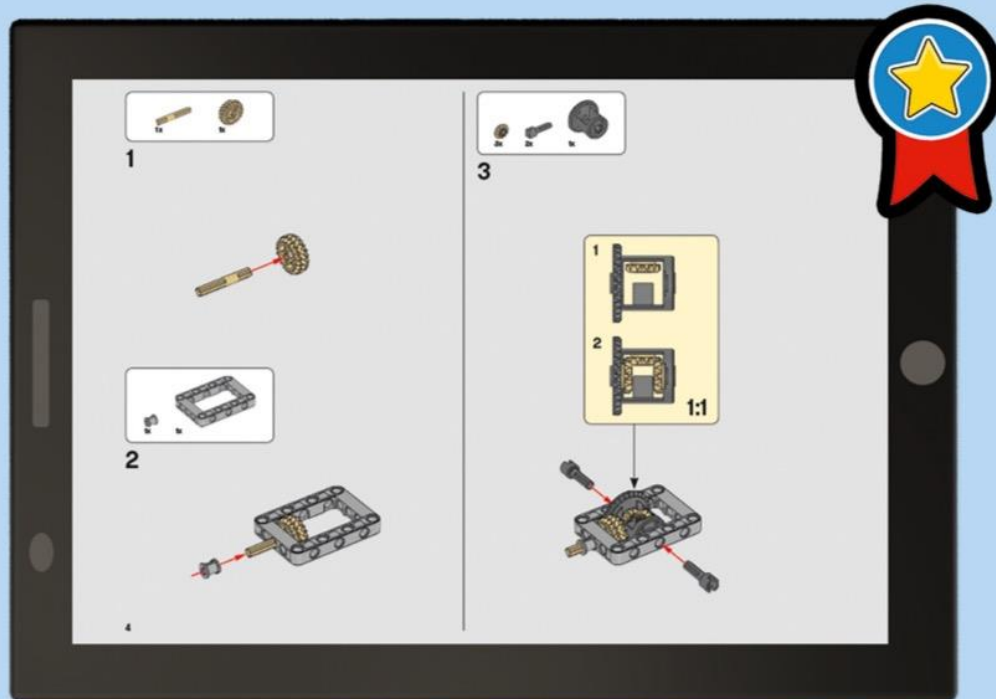
1



2



3



LEGO.com/apps

- Check for compatibility
- Kompatibilität prüfen
- Vérifier la compatibilité
- Controlla la compatibilità
- Comprueba tu compatibilidad
- Verificar a compatibilidade
- Ellenőrizd a kompatibilitást
- Pārbaudīt saderību
- 检查兼容性



LEGO® Technic 42096 Porsche 911 RSR remote control modification with Power Functions

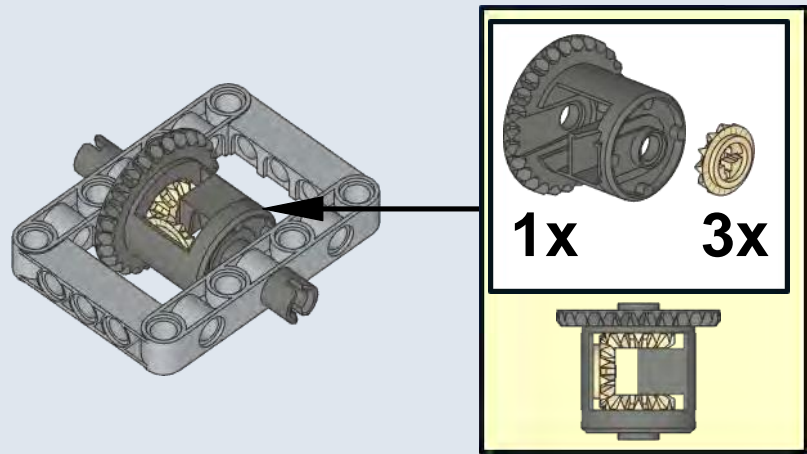
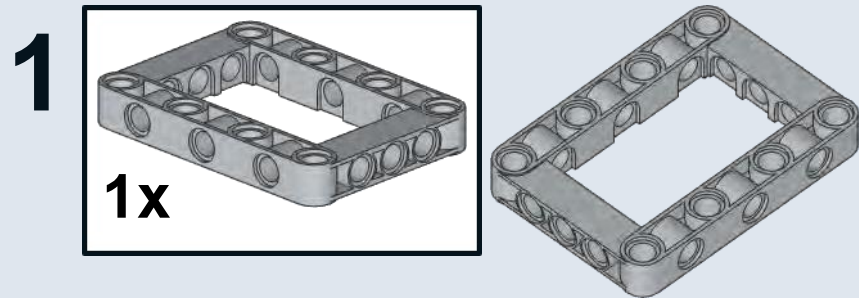
Original instructions are needed to complete the build, please follow the original steps where indicated

Contact racingbrick@racingbrick.com with any questions regarding this mod

You are not authorized to redistribute, copy or resell these instructions

Copyright© 2019 RacingBrick.com

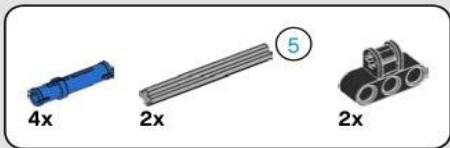
LEGO® is a registered trademark of the LEGO Group, which does not sponsor, endorse, or authorize these instructions or the model they depict.



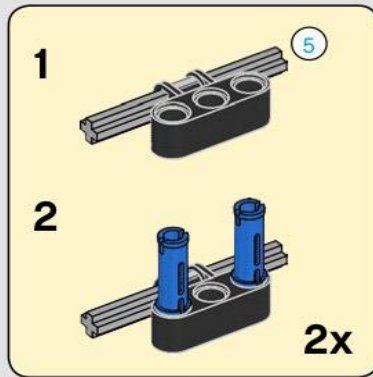
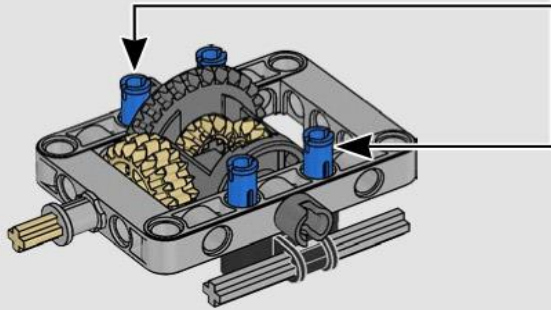


4-16

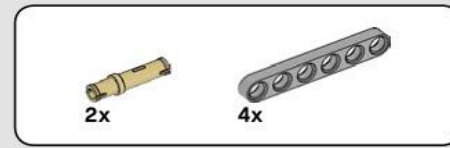
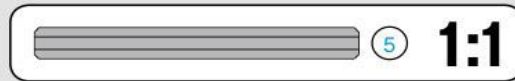
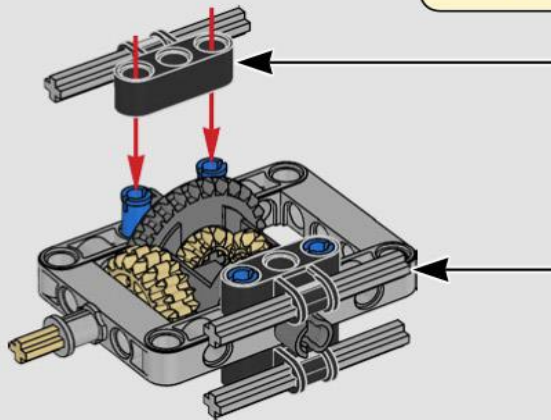
original steps



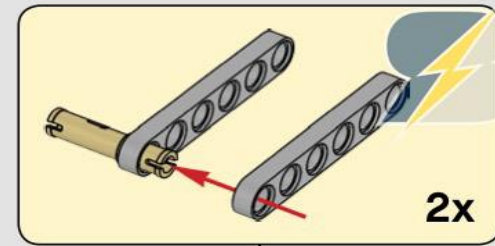
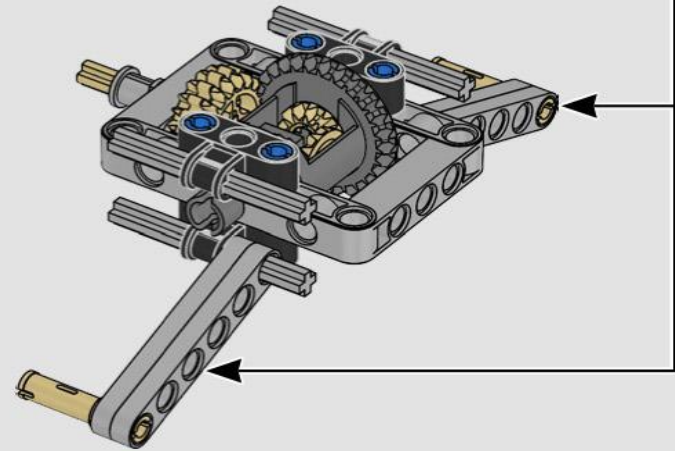
4



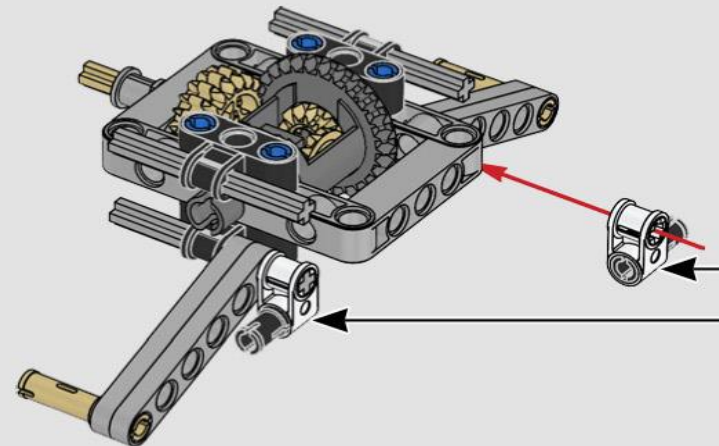
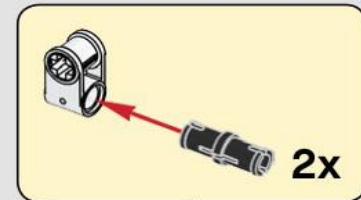
5

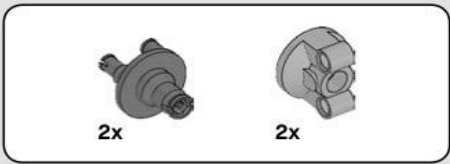


6

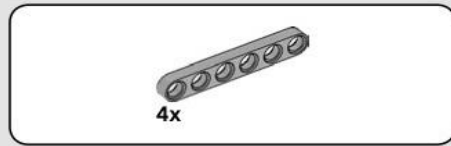
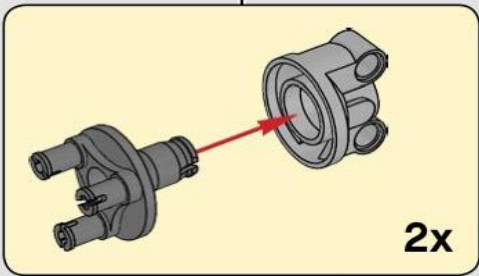
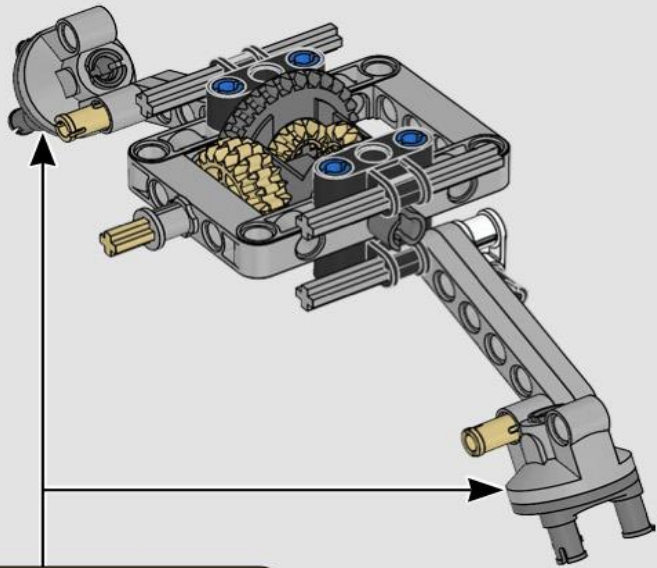


7

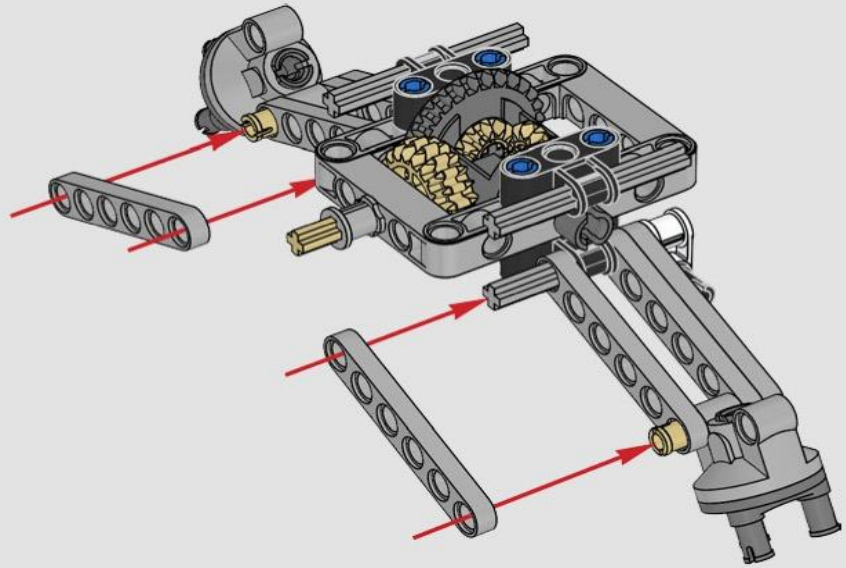




8

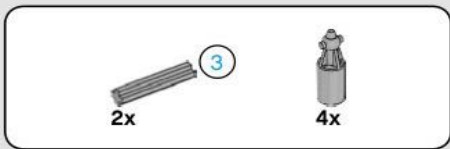
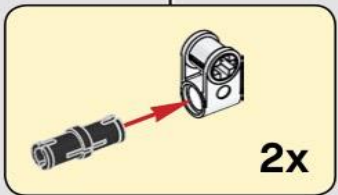
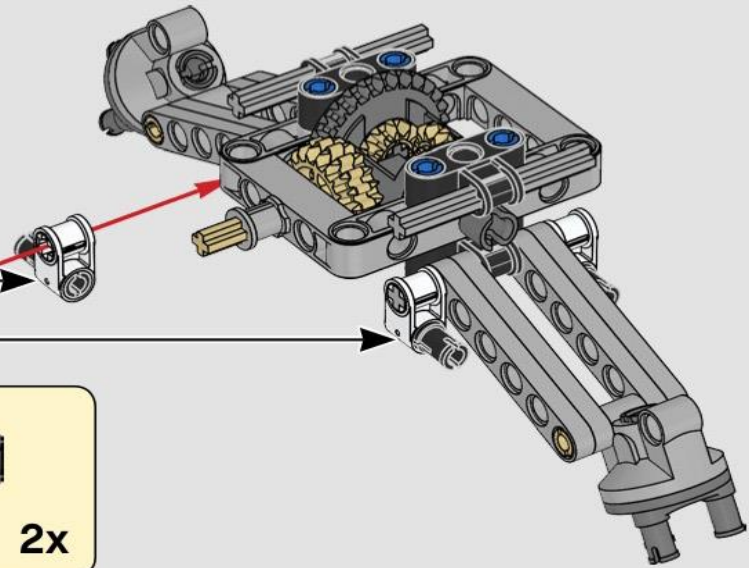


9

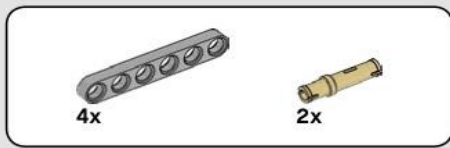
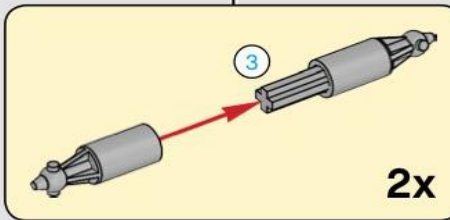
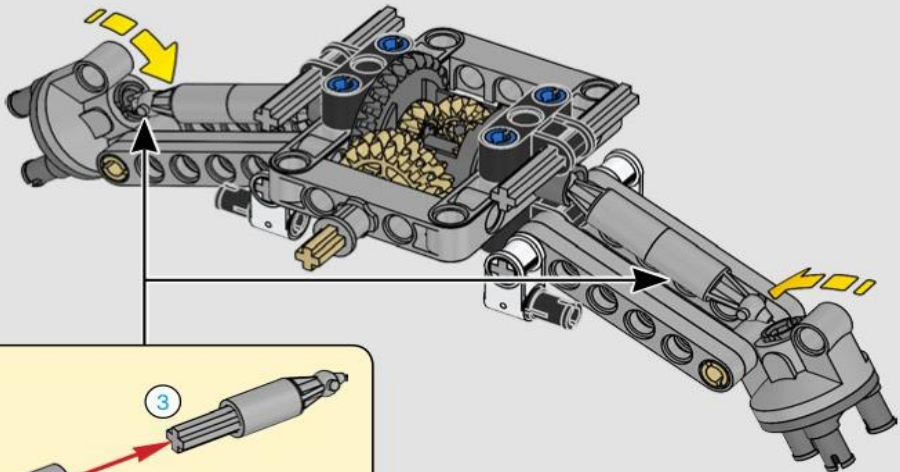




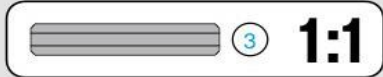
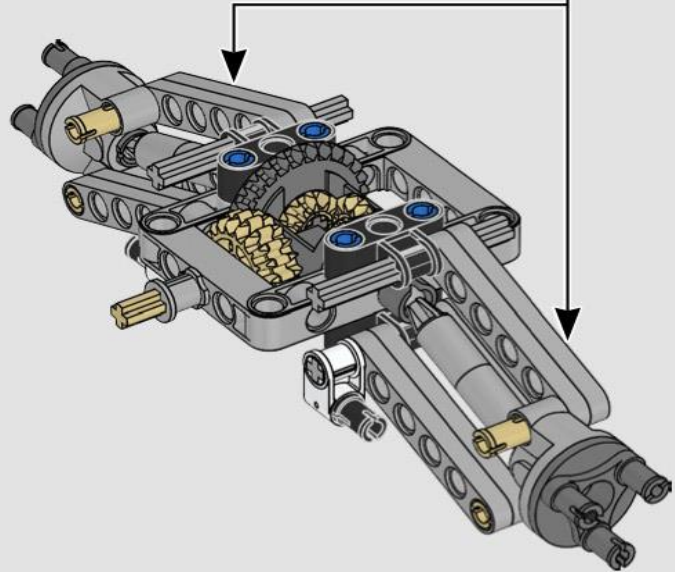
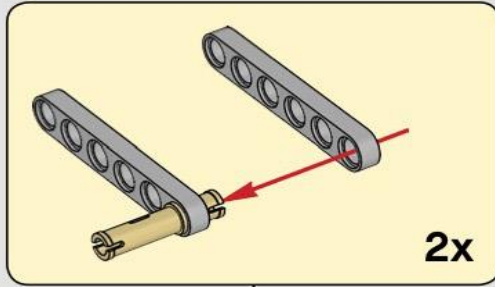
10



11



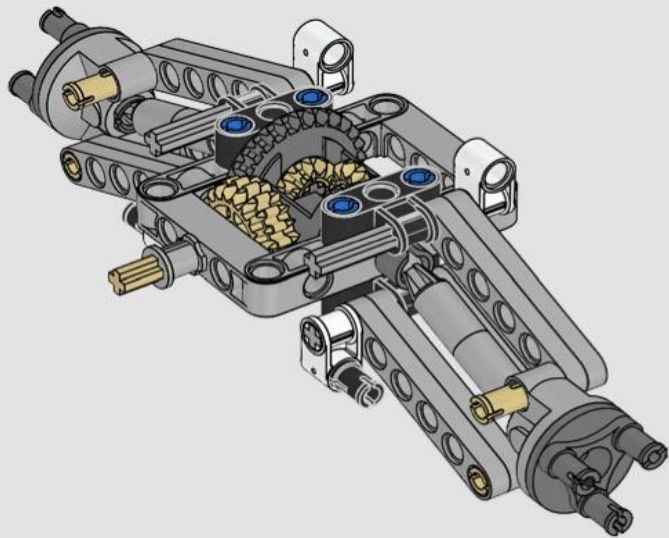
12





2x

13

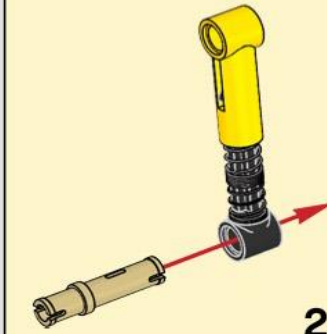


2x

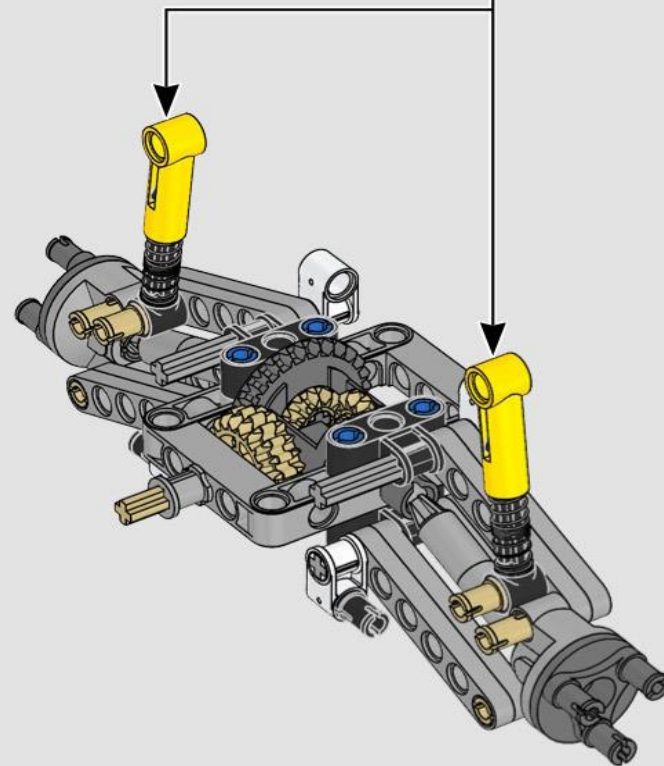


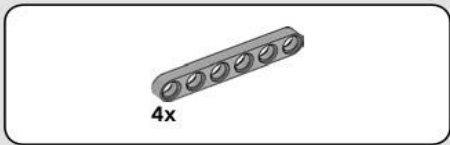
2x

14

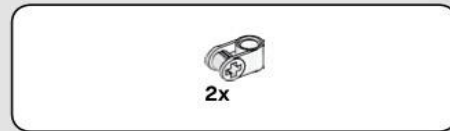
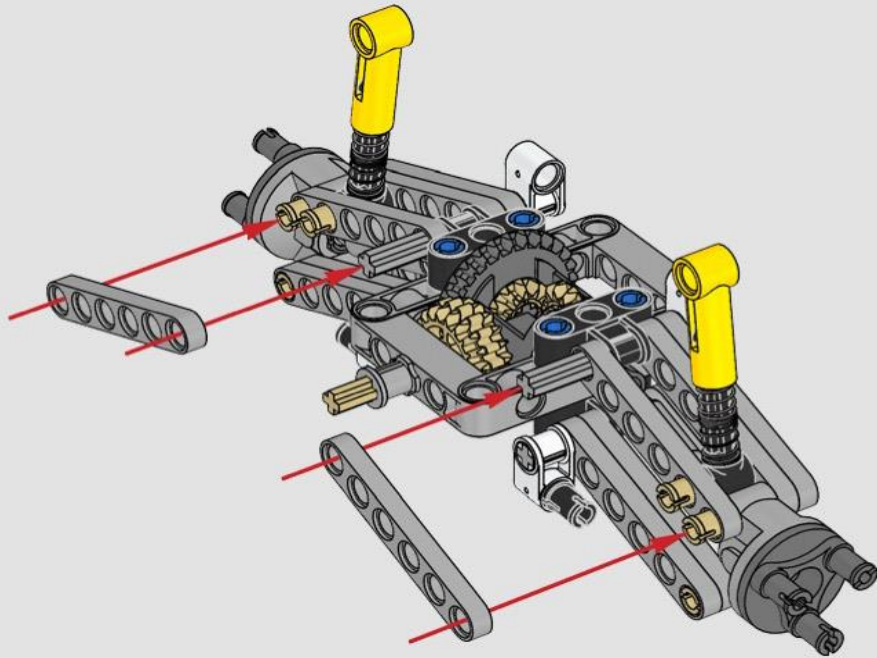


2x

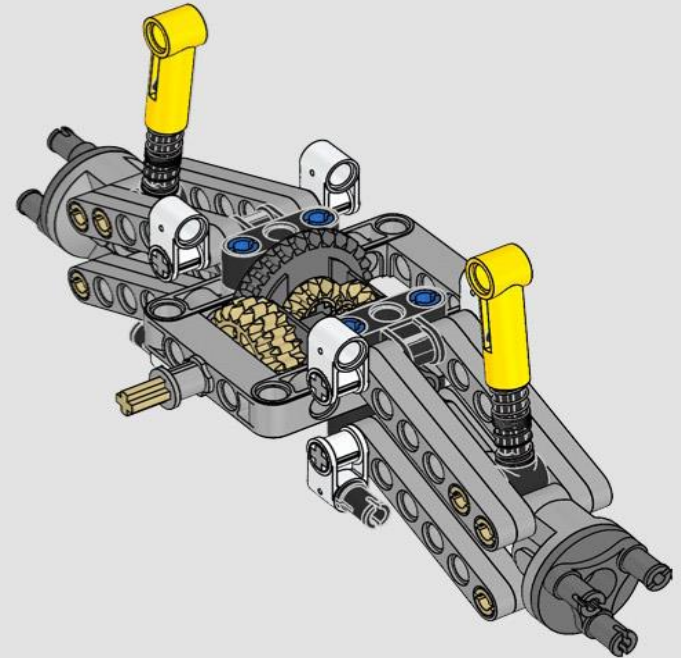




15



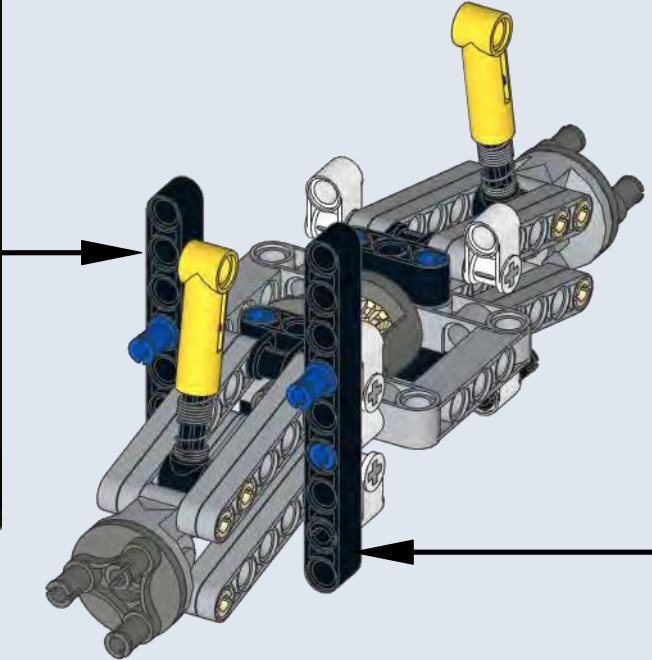
16





9

1x 1x



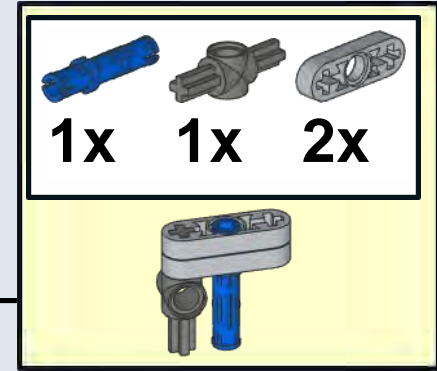
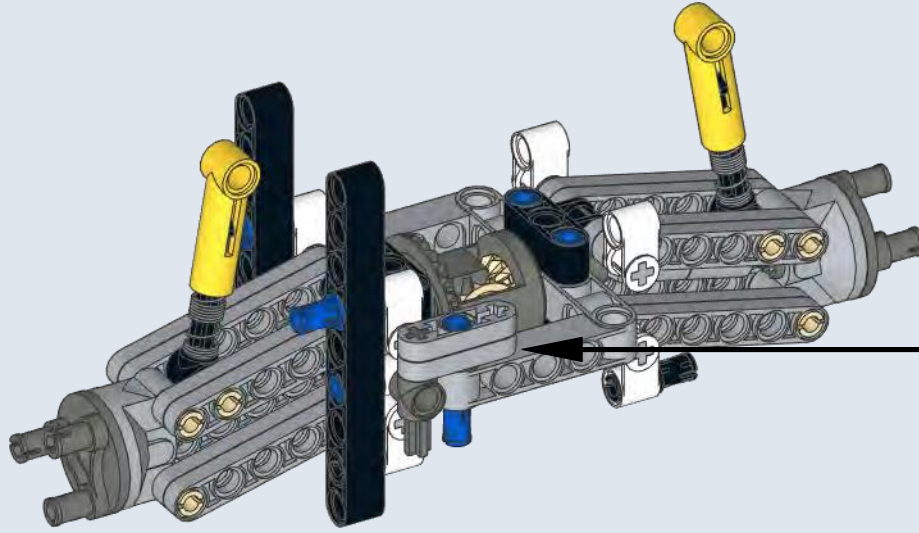
9

1x 1x

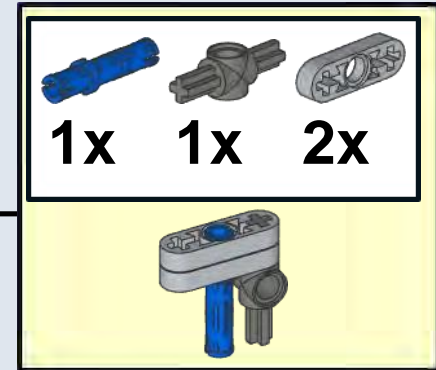
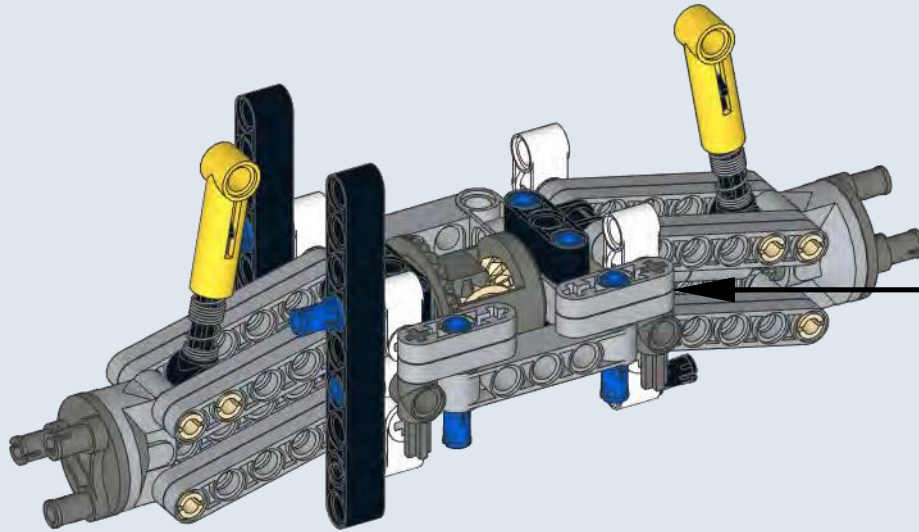
1x 2x



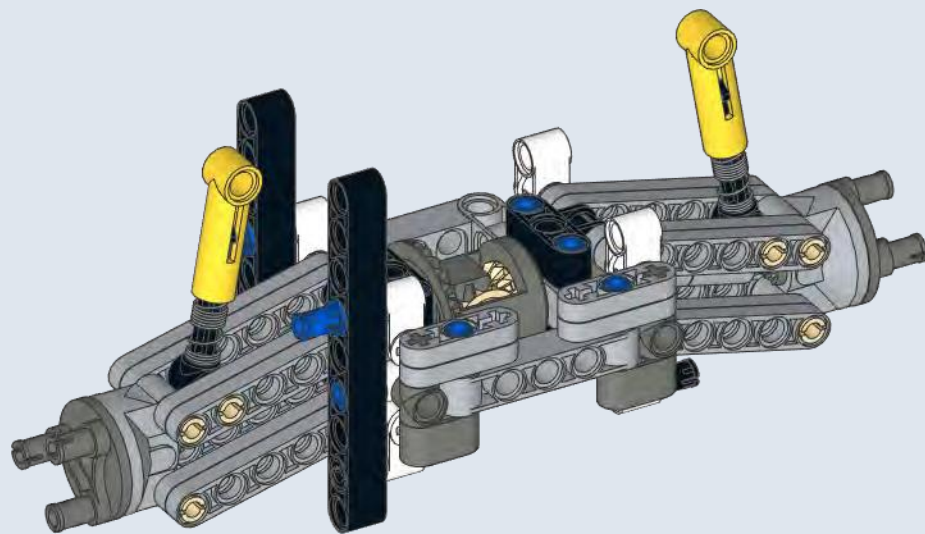
18

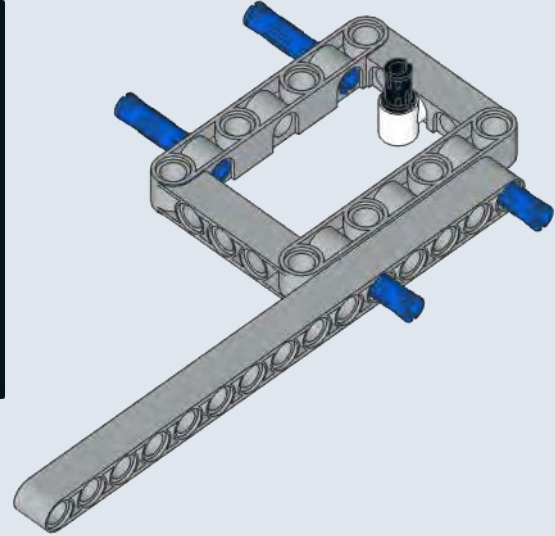
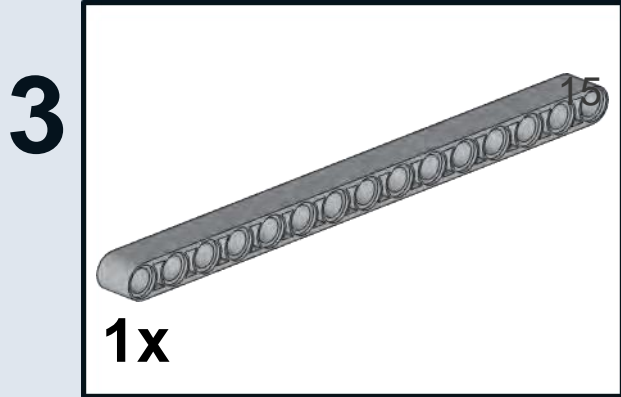
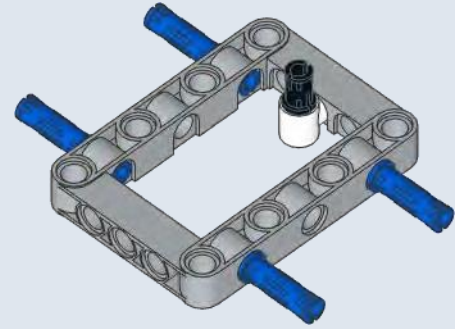
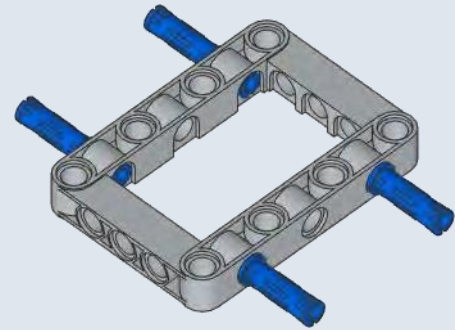
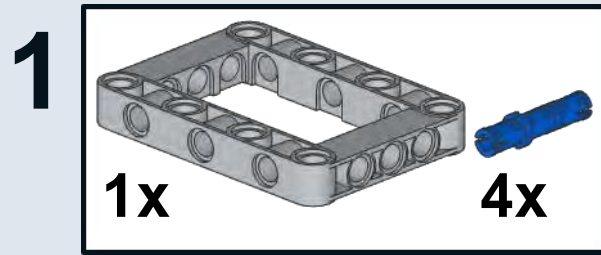


19



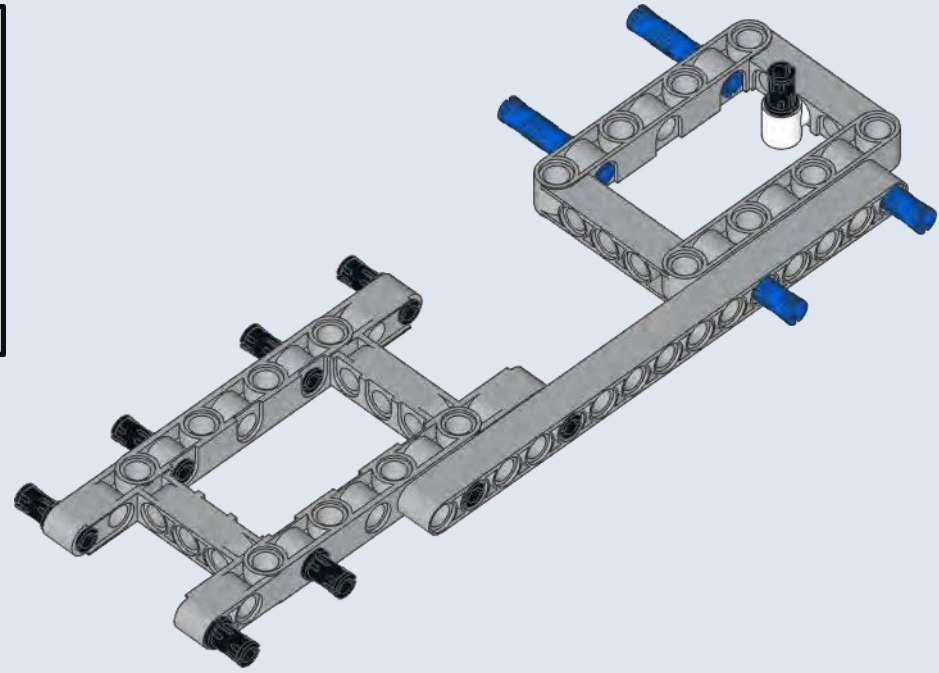
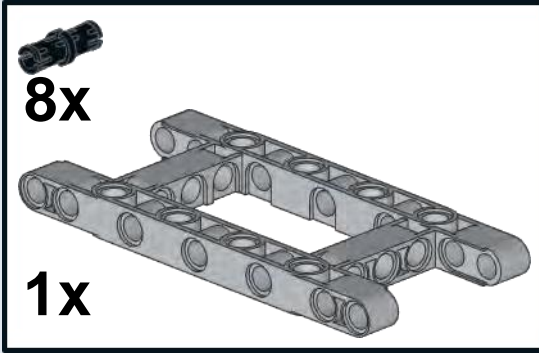
20



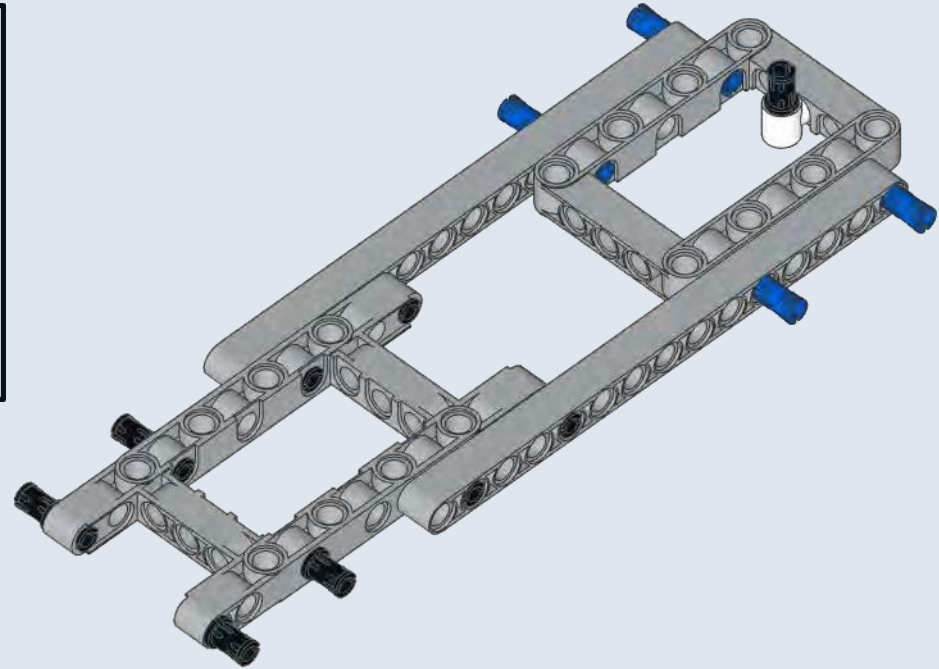
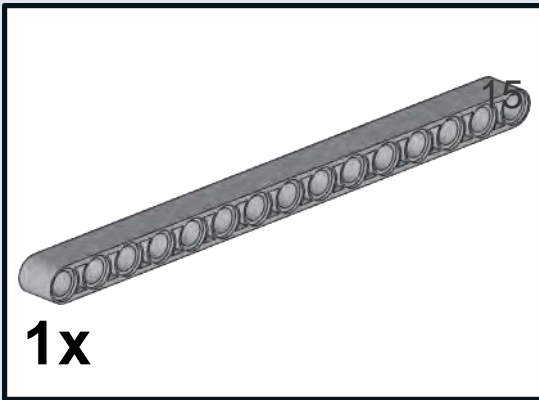




4

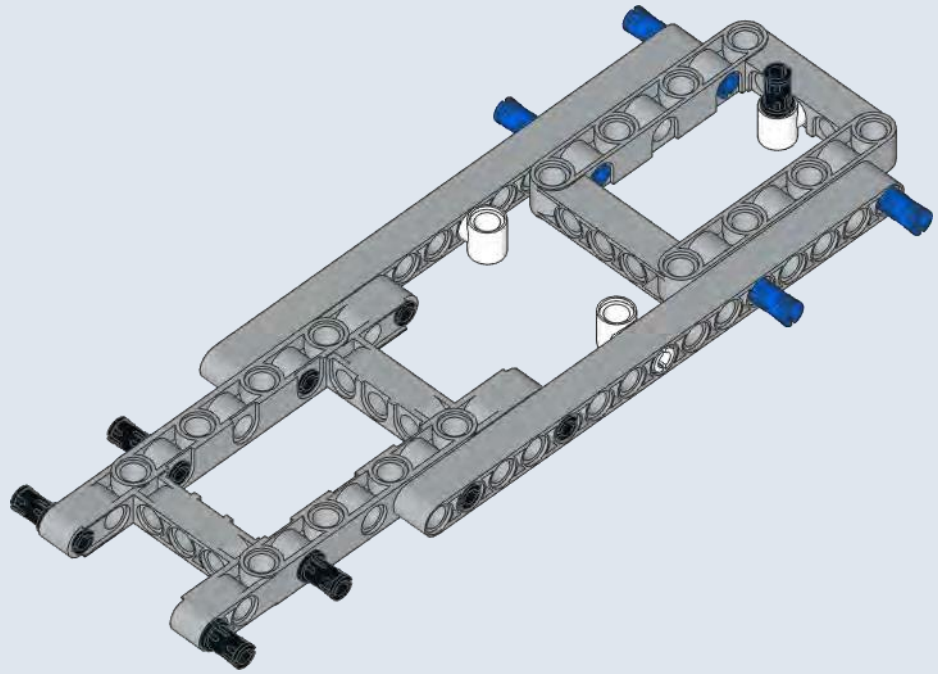


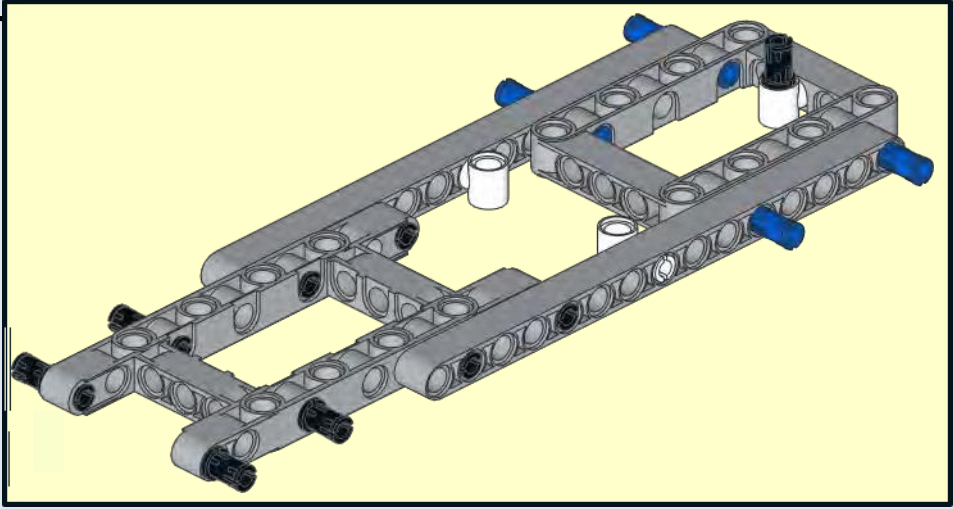
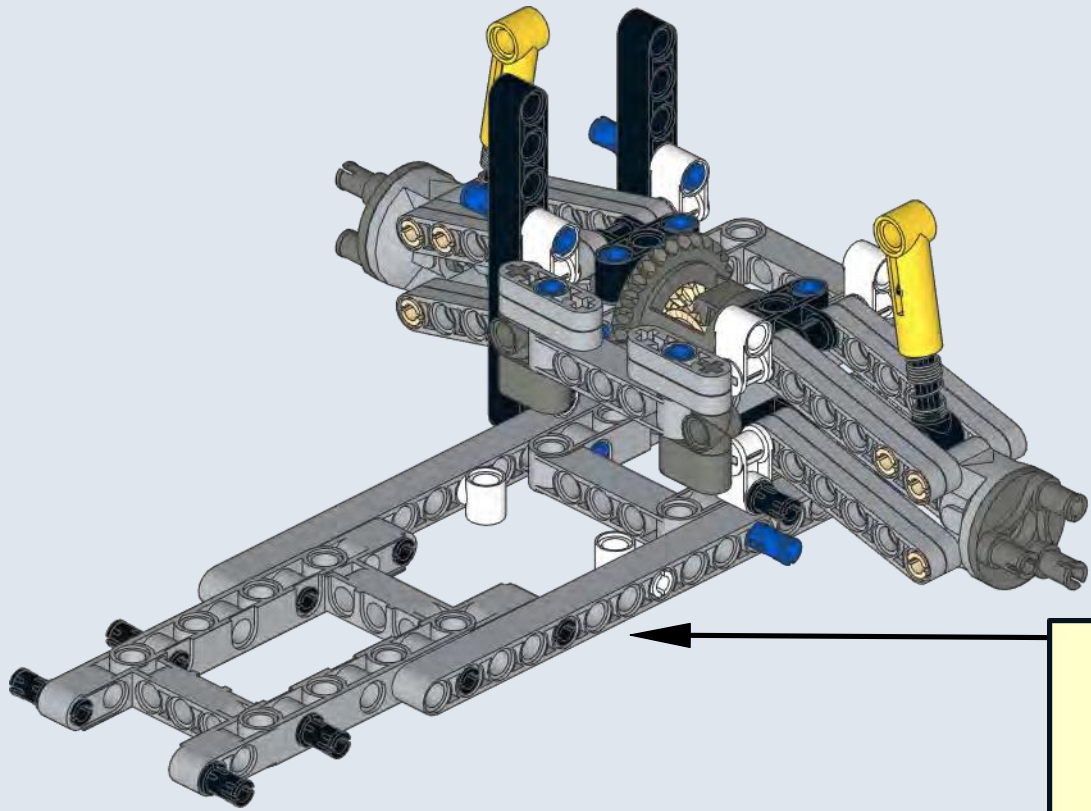
5

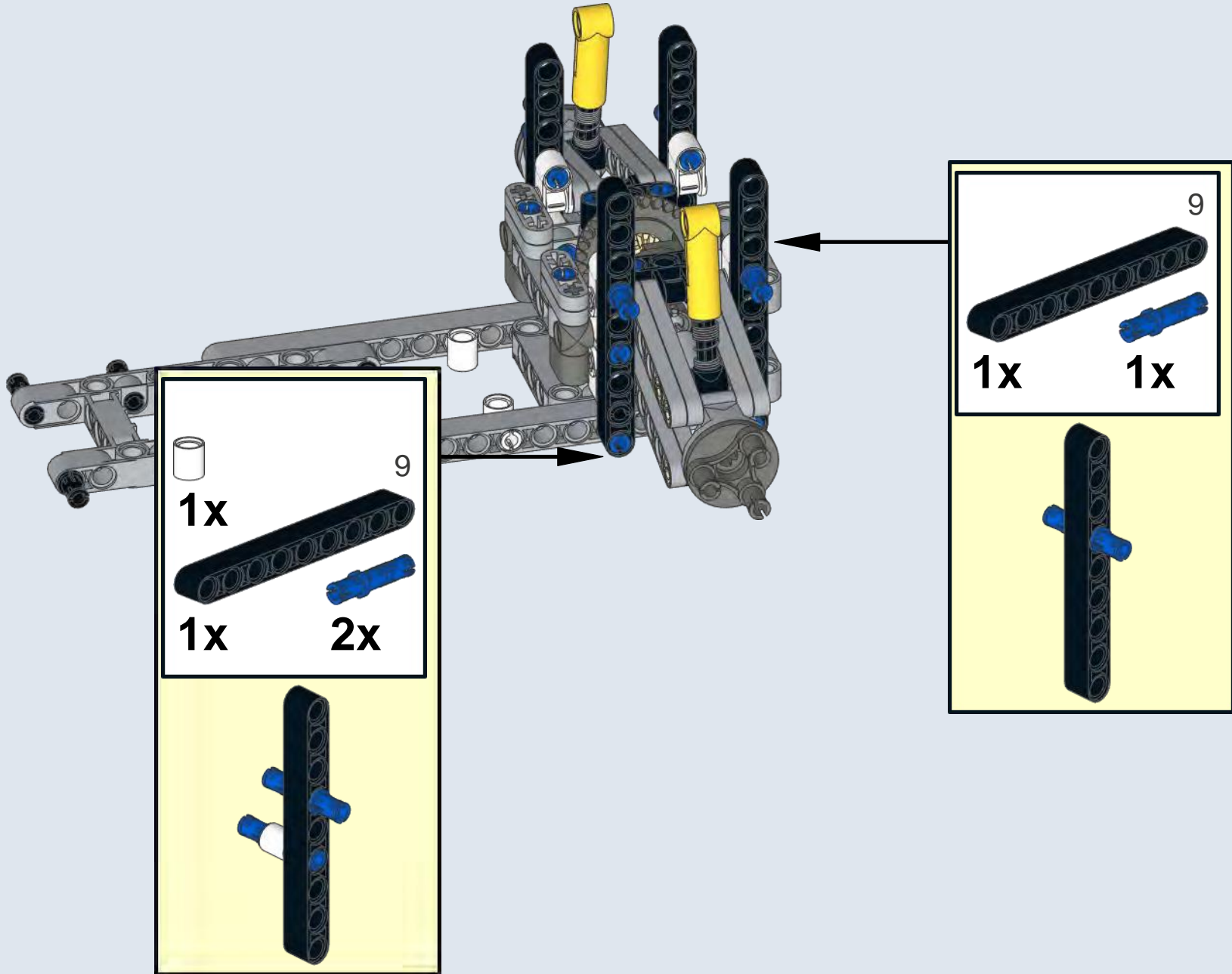




6

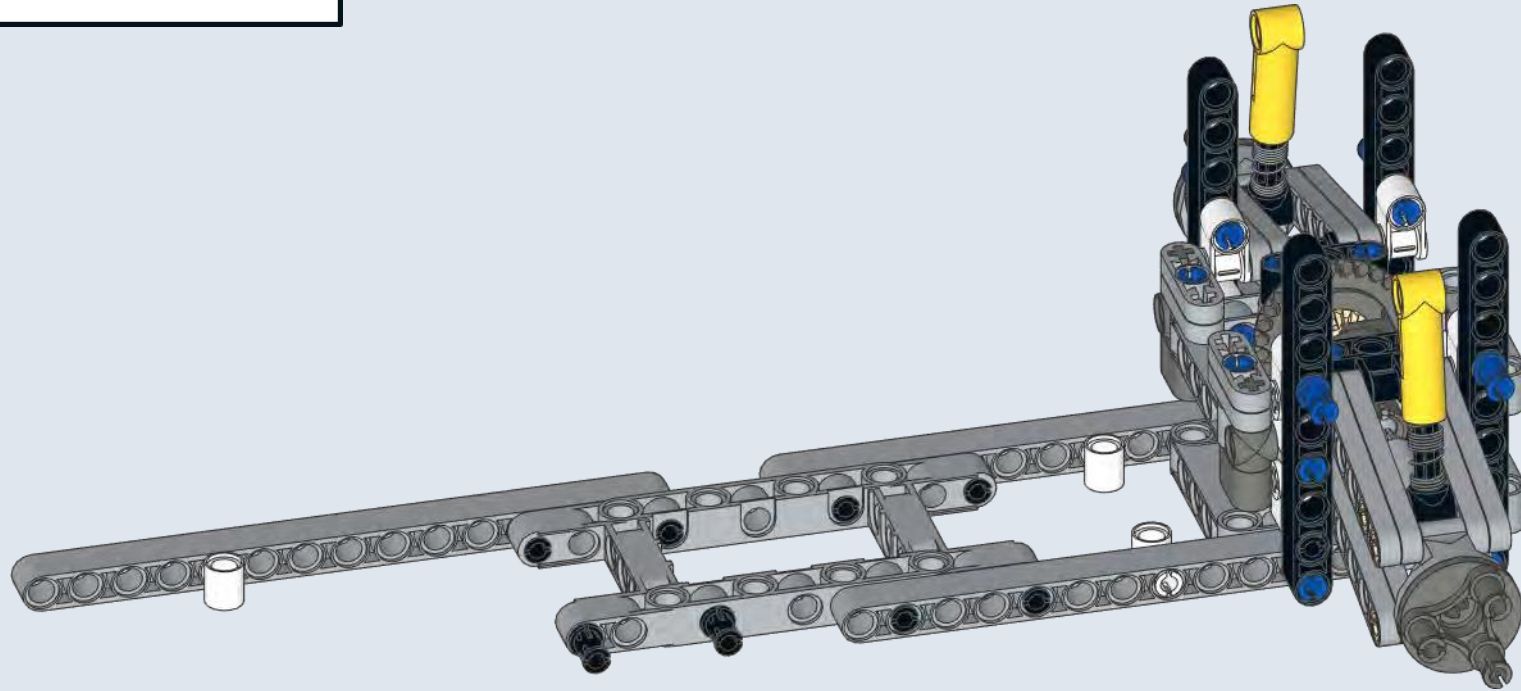
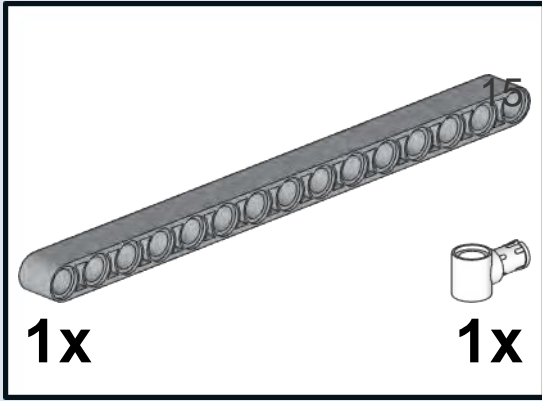






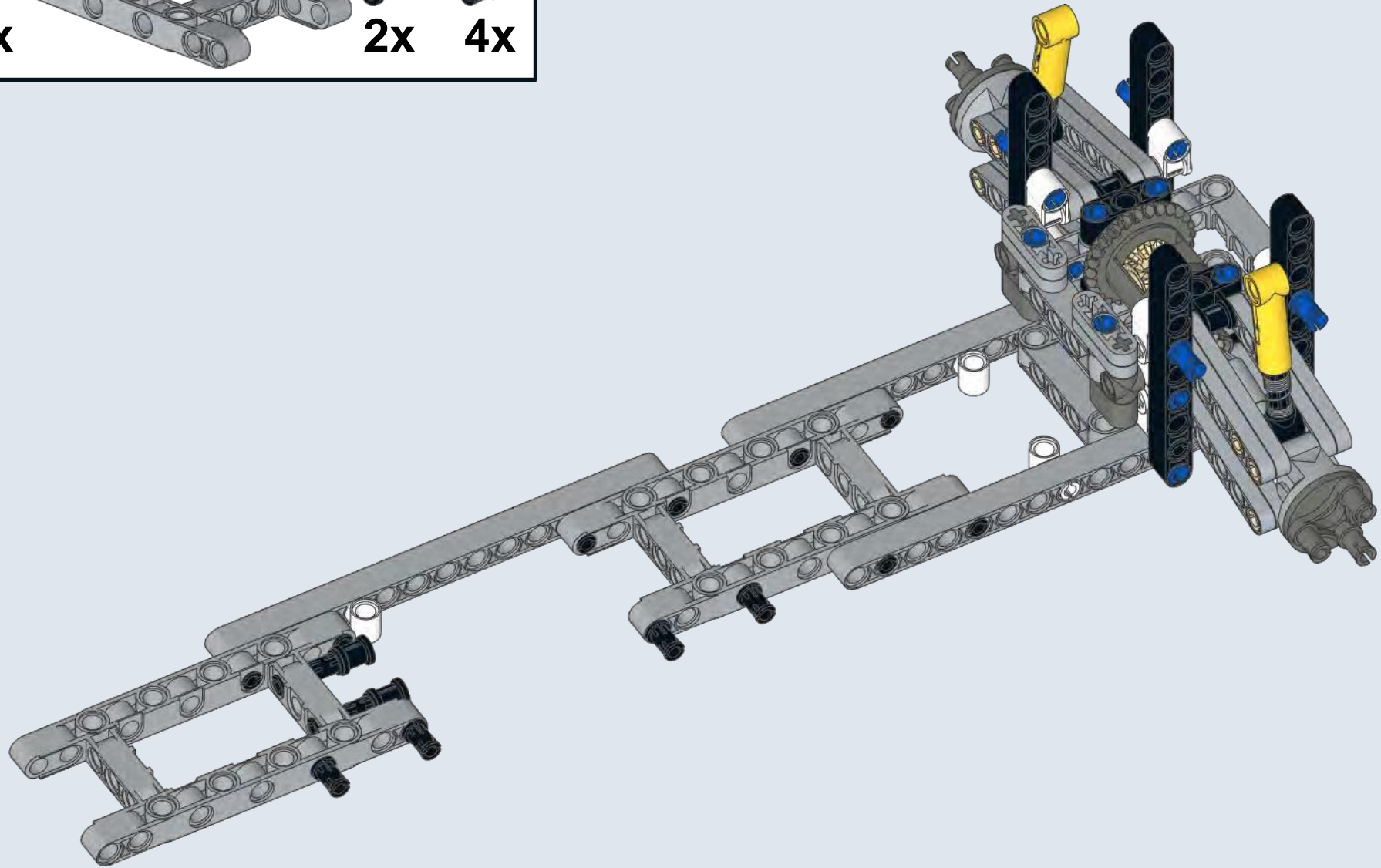
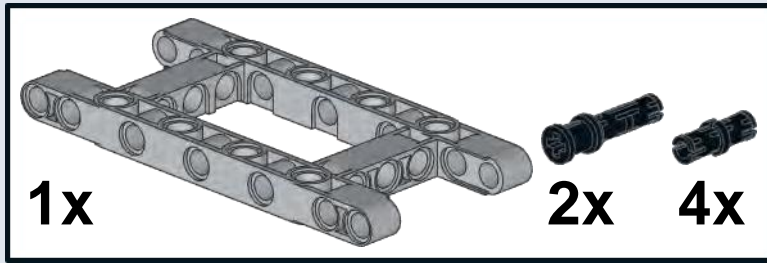


23



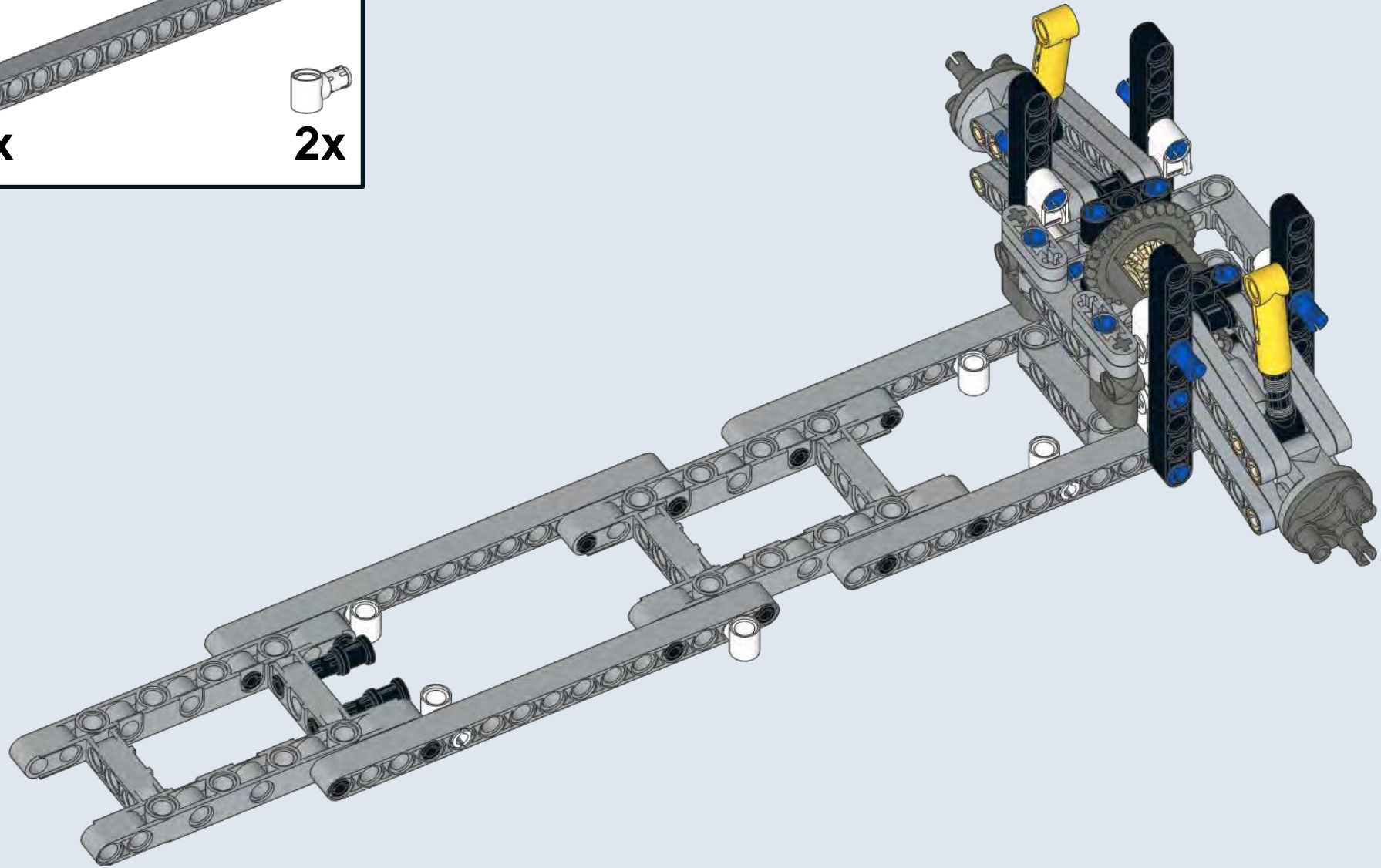
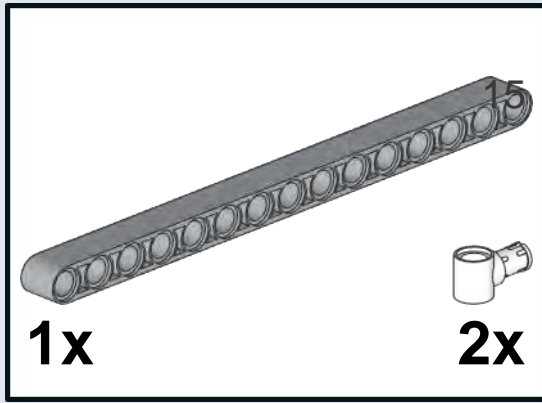


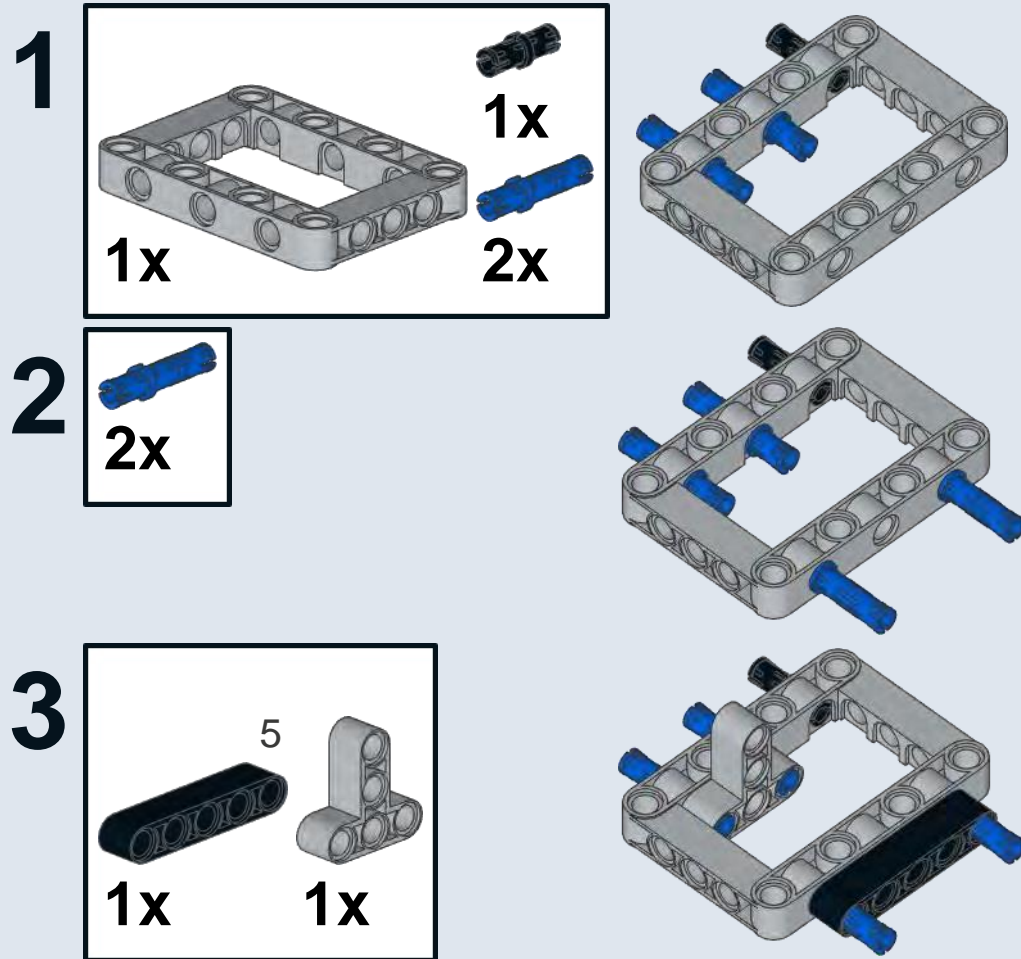
24

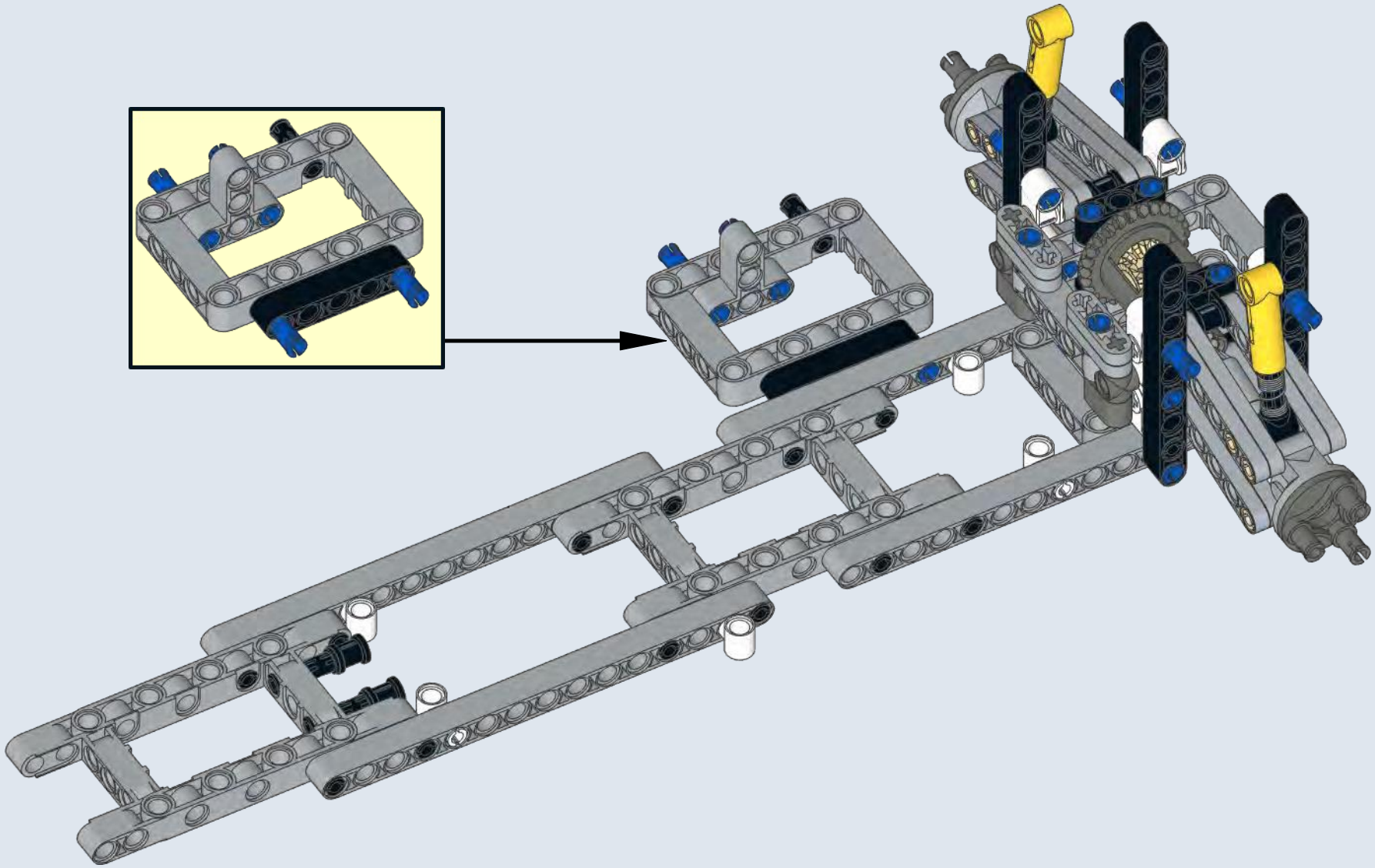
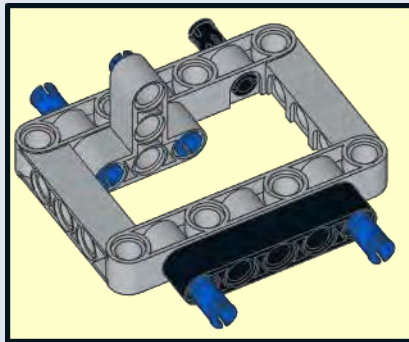


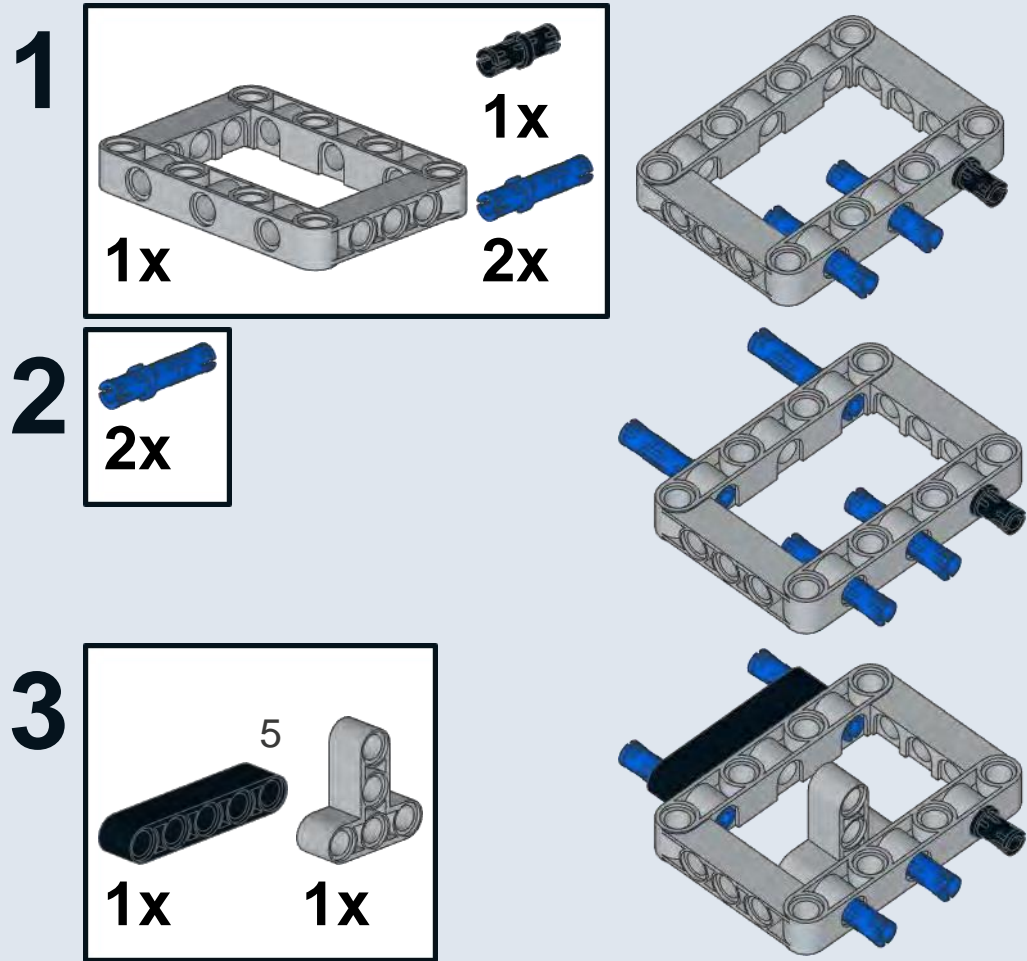


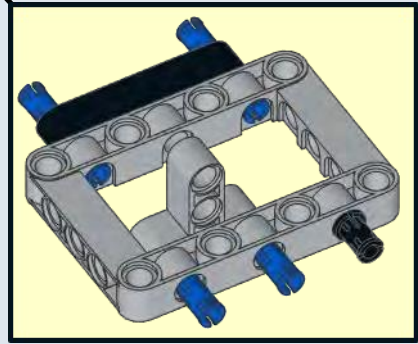
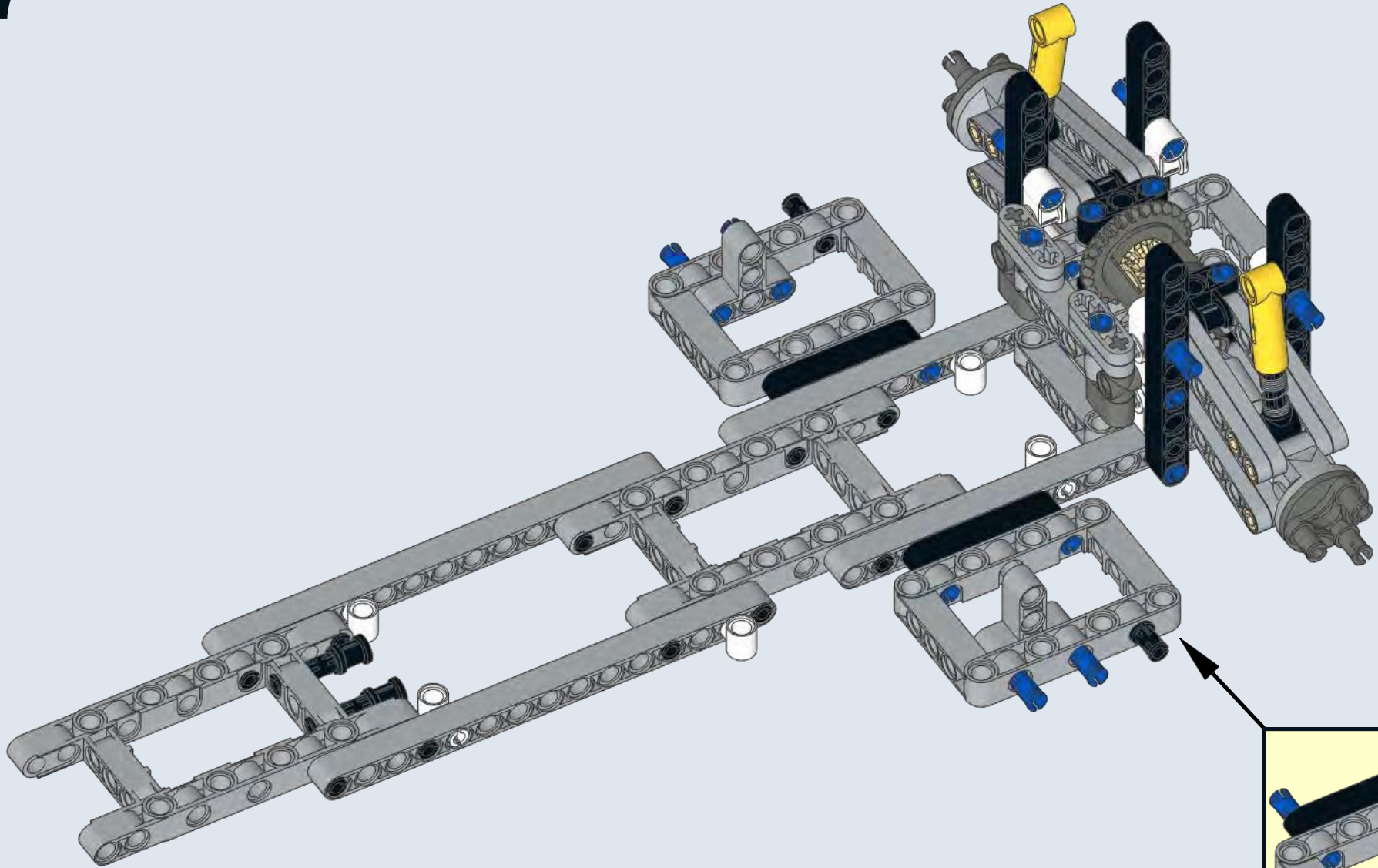
25













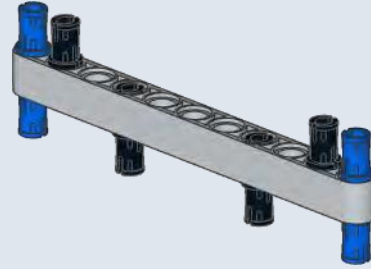
1

4x

1x

11

2x



2

1x

1x

2x

1x



3

1x

1x

2x

1x

7

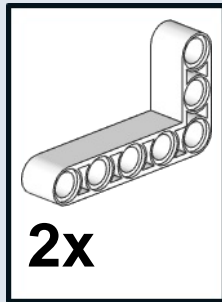


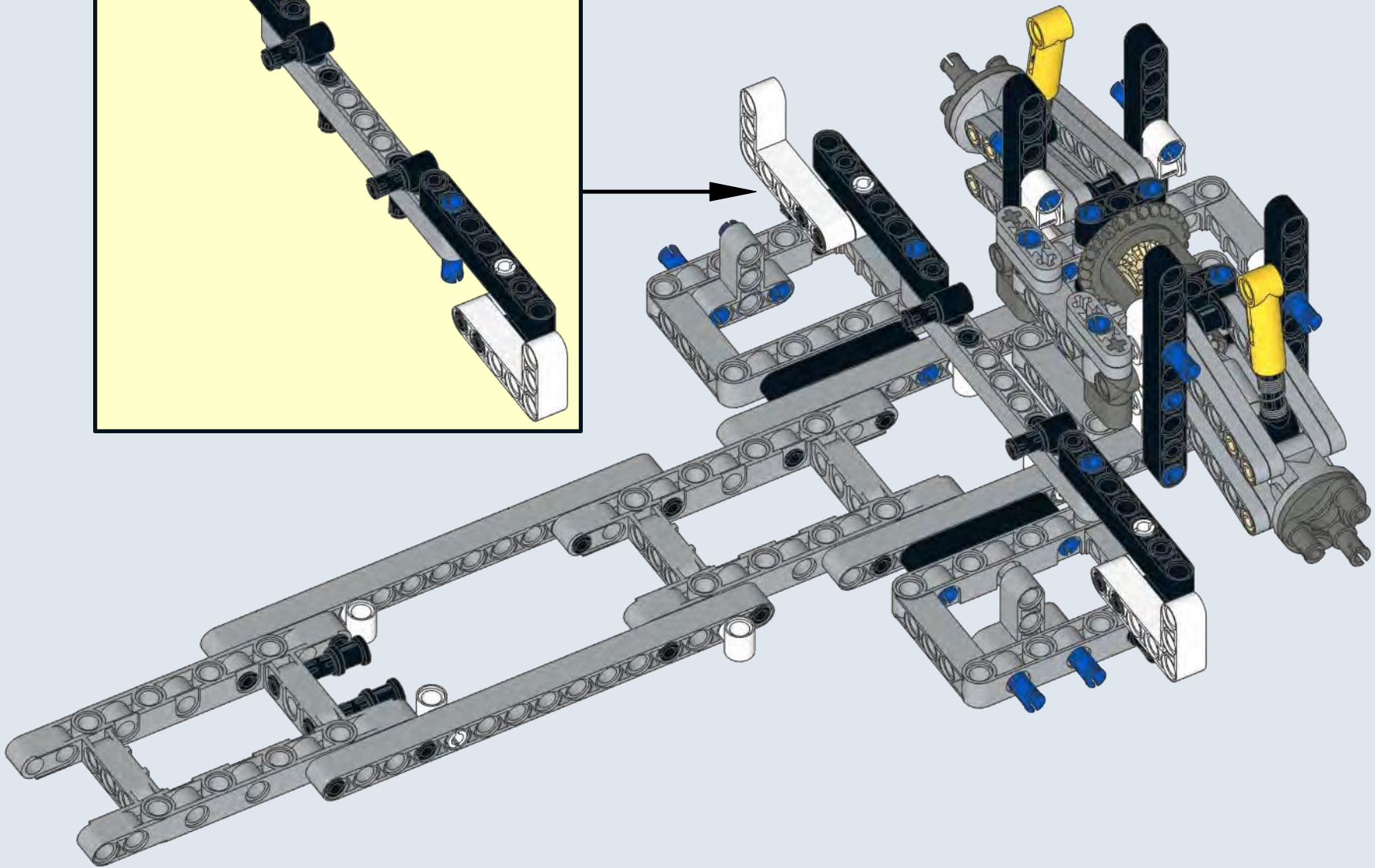
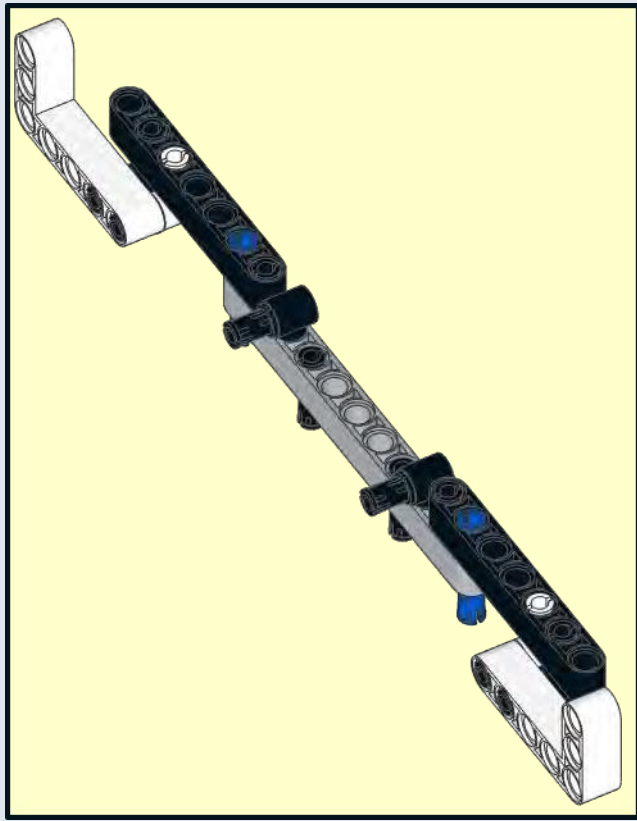


4




5



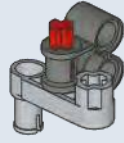




1



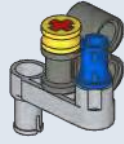
1x 1x 1x




2



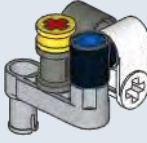
1x 1x



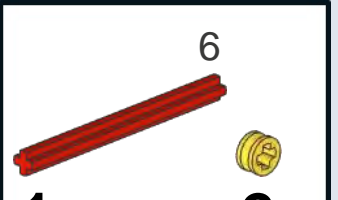
3



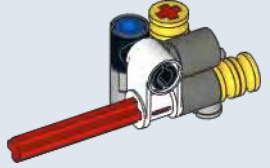
1x 1x




4



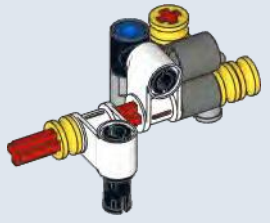
1x 2x

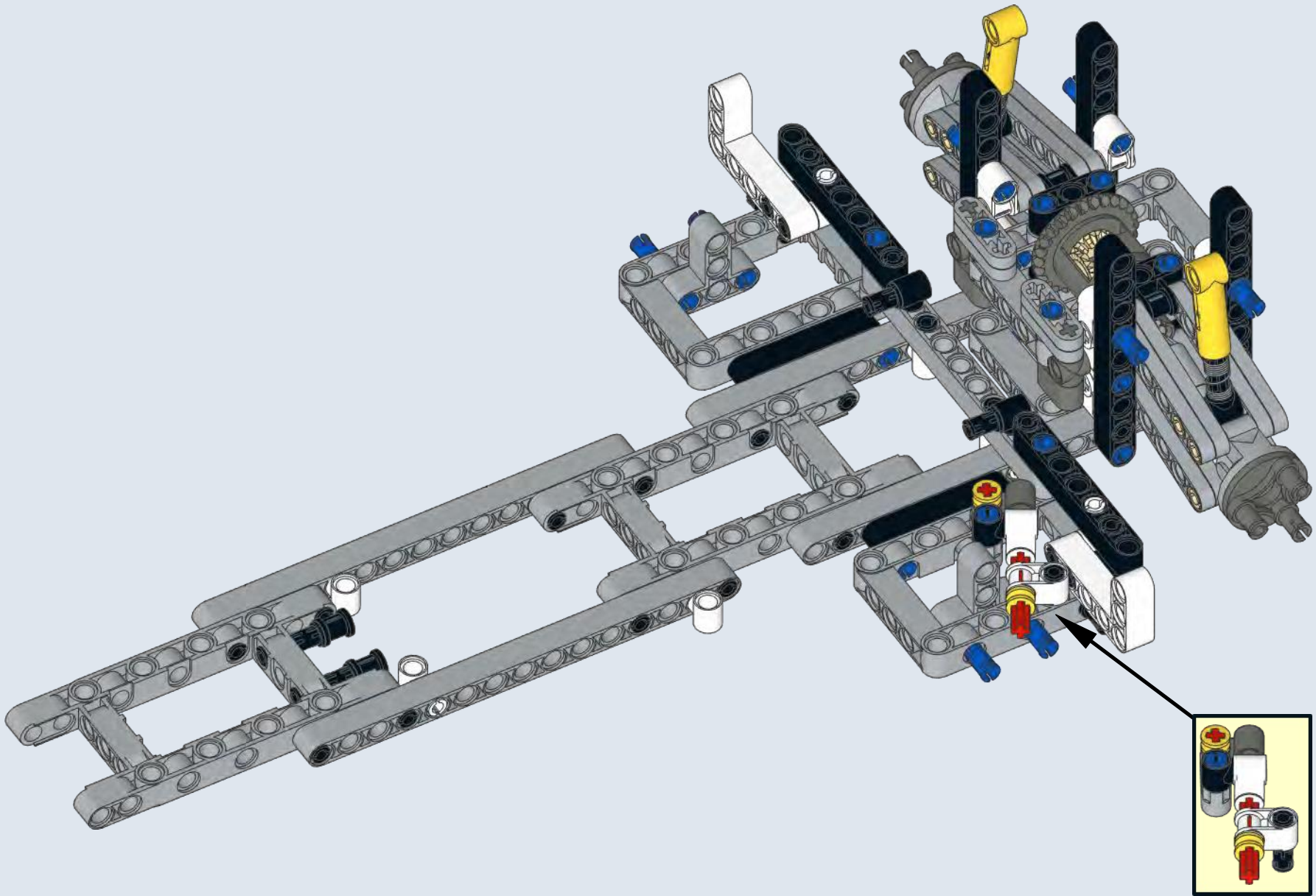


5


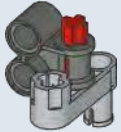




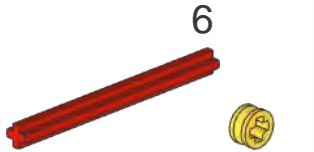
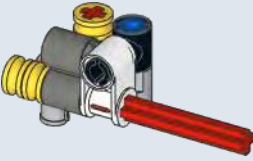

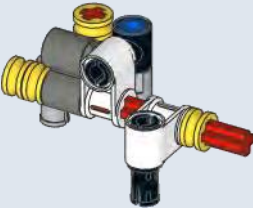


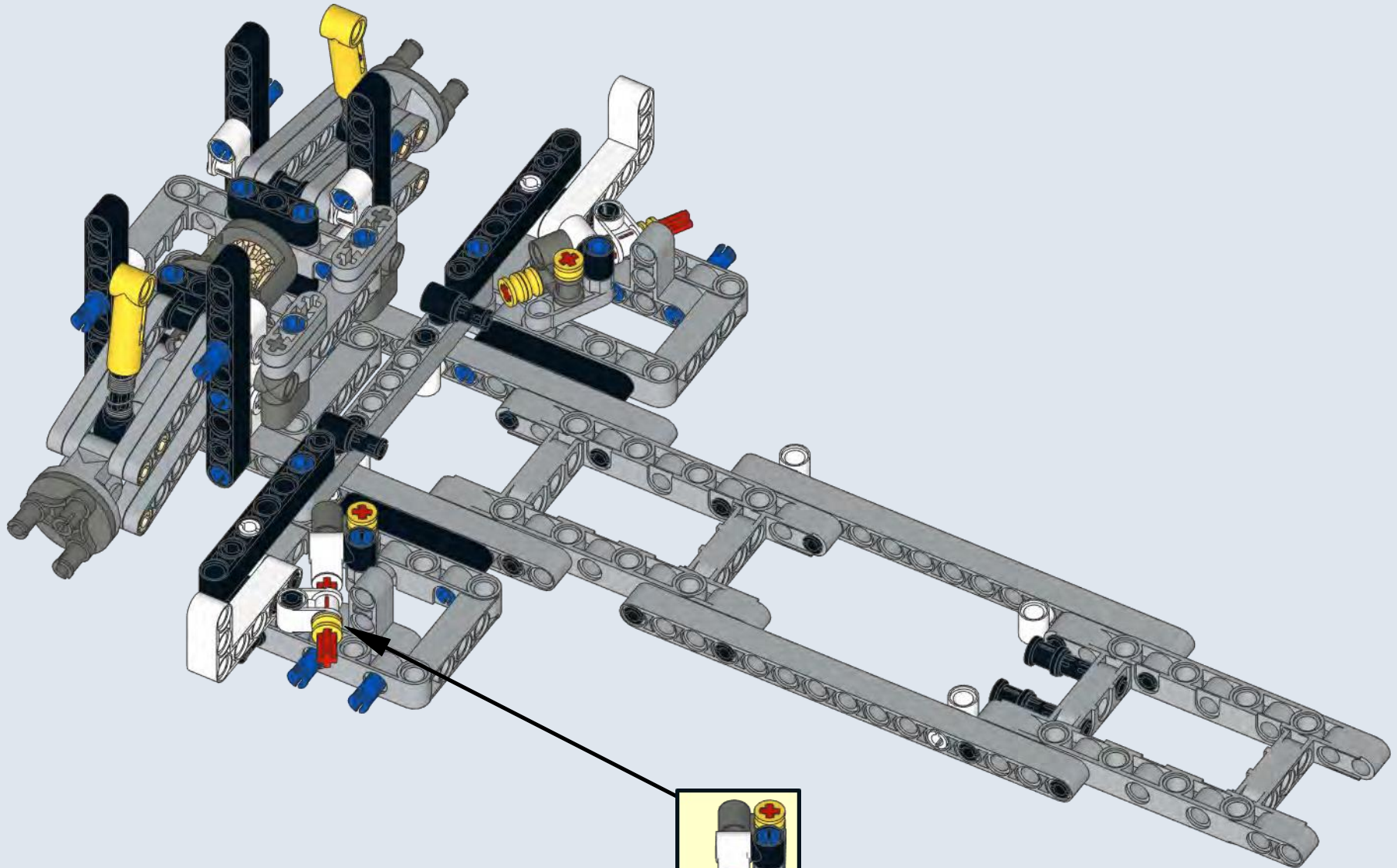
1x 1x 1x





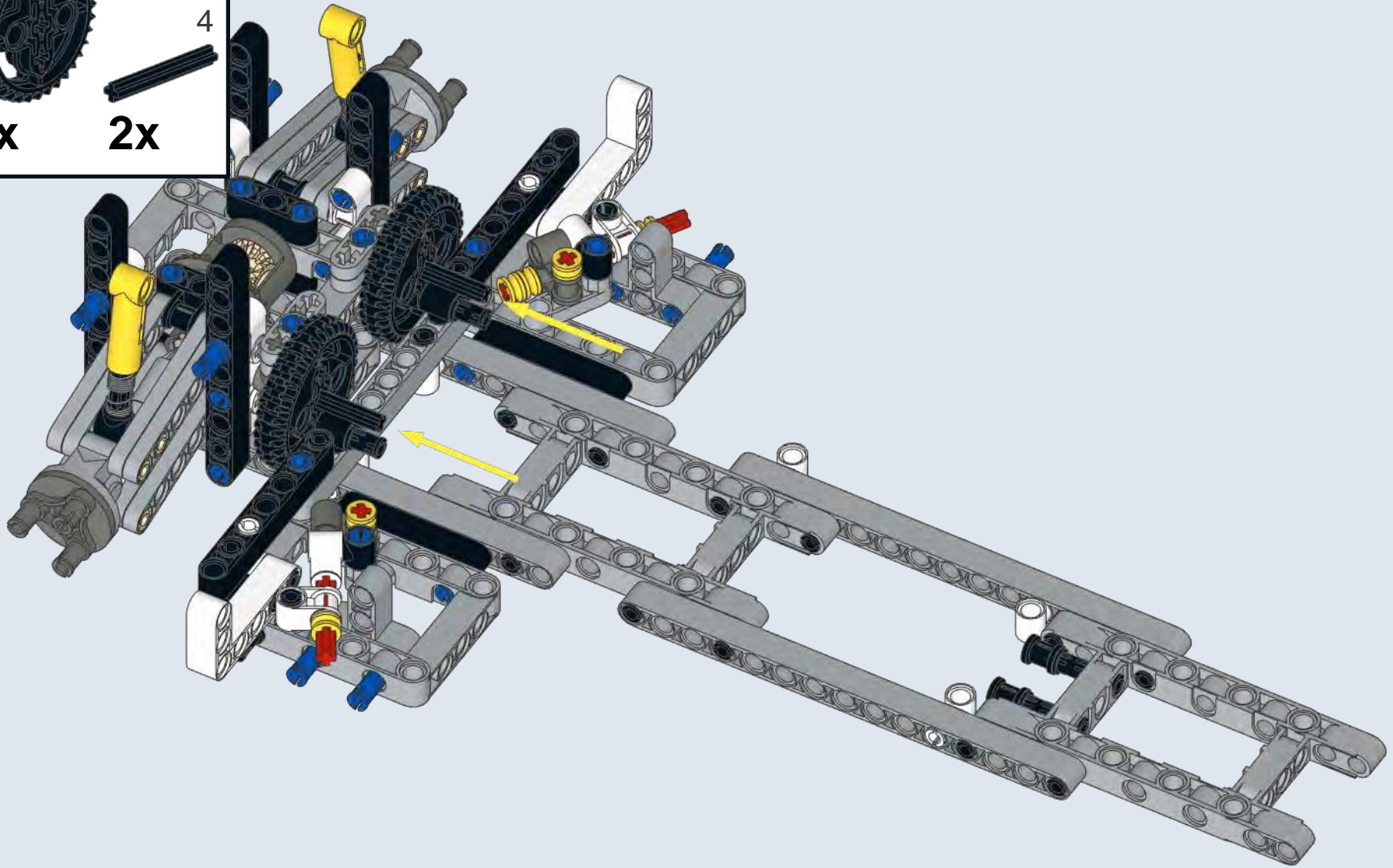


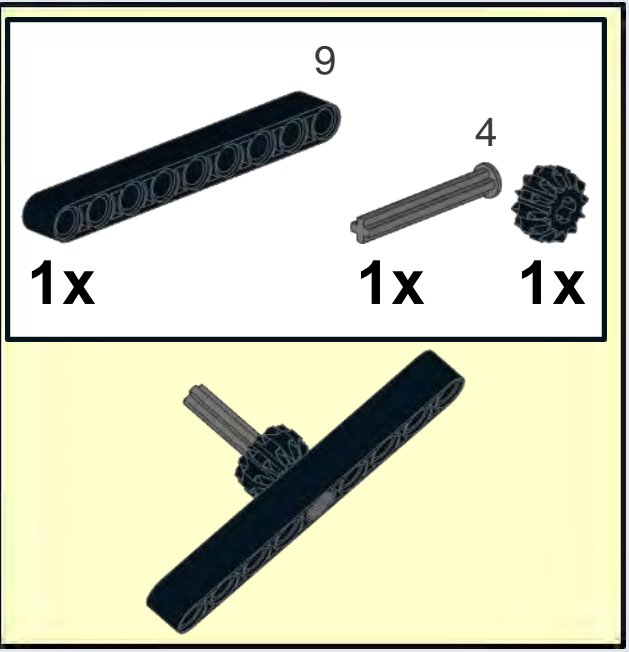
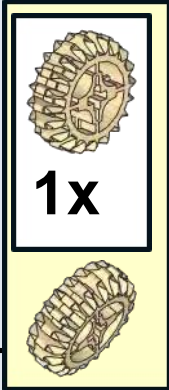
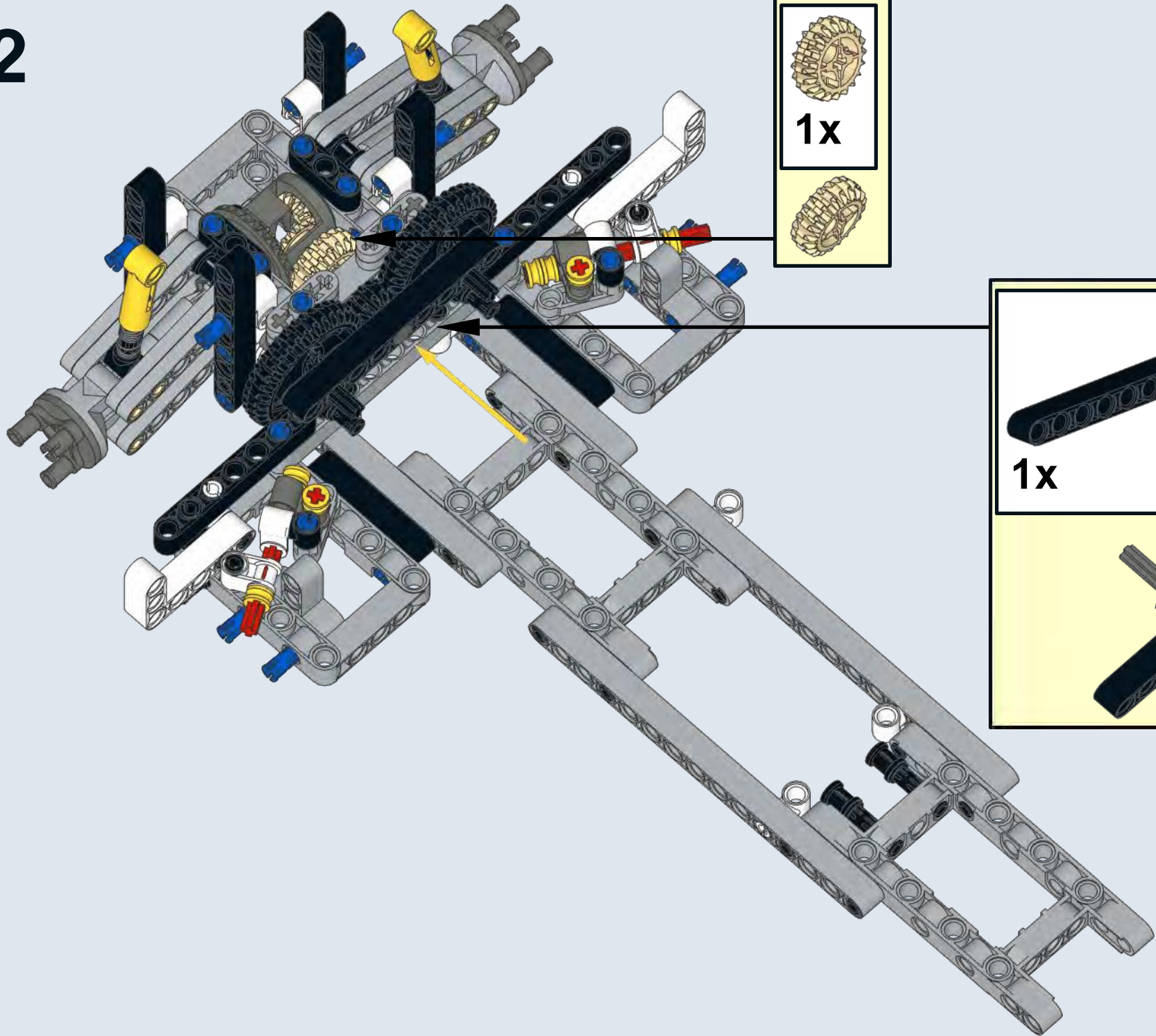
1	 1x 1x 1x	
2	 1x 1x	
3	 1x 1x	
4	 1x 2x	
5	 1x 1x 1x	

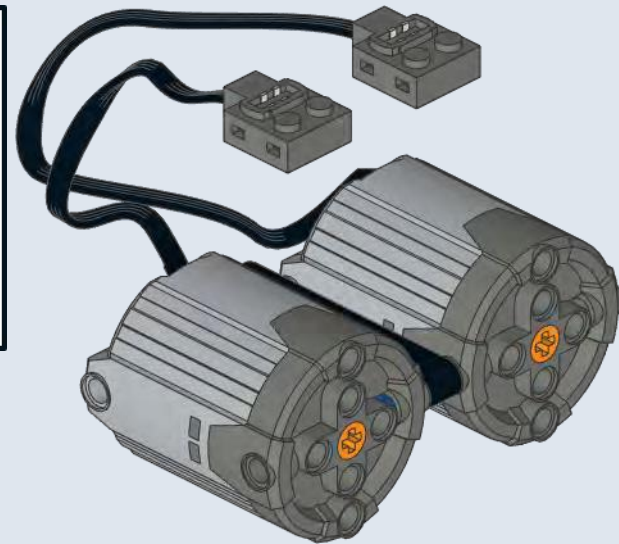
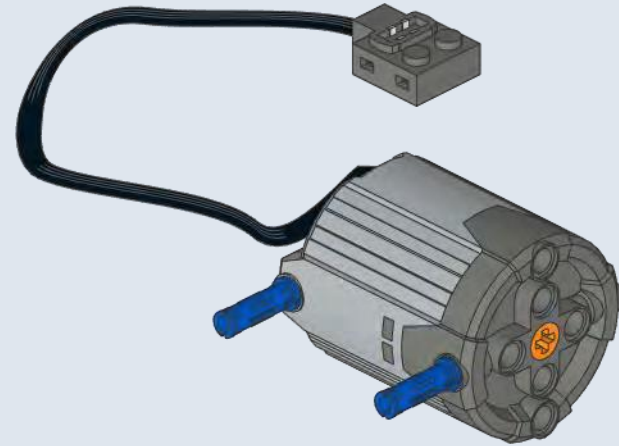
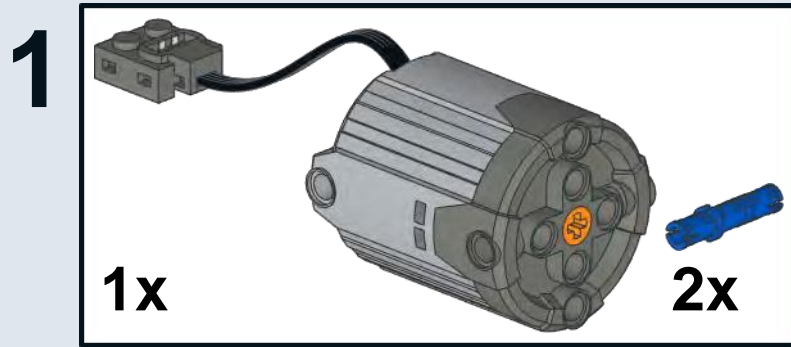




31

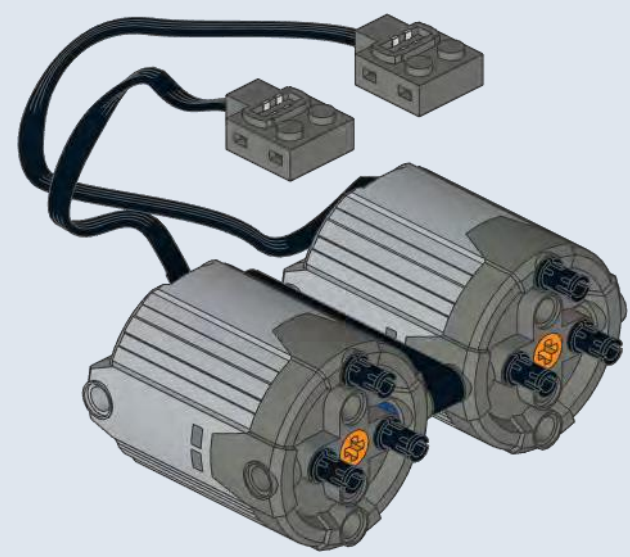








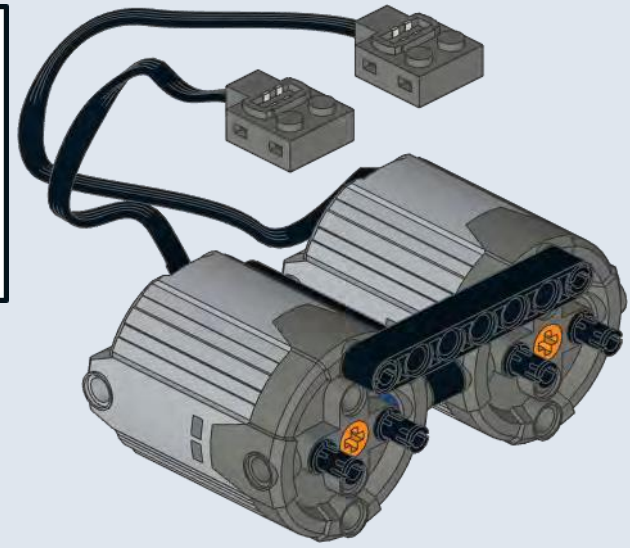
3
6x

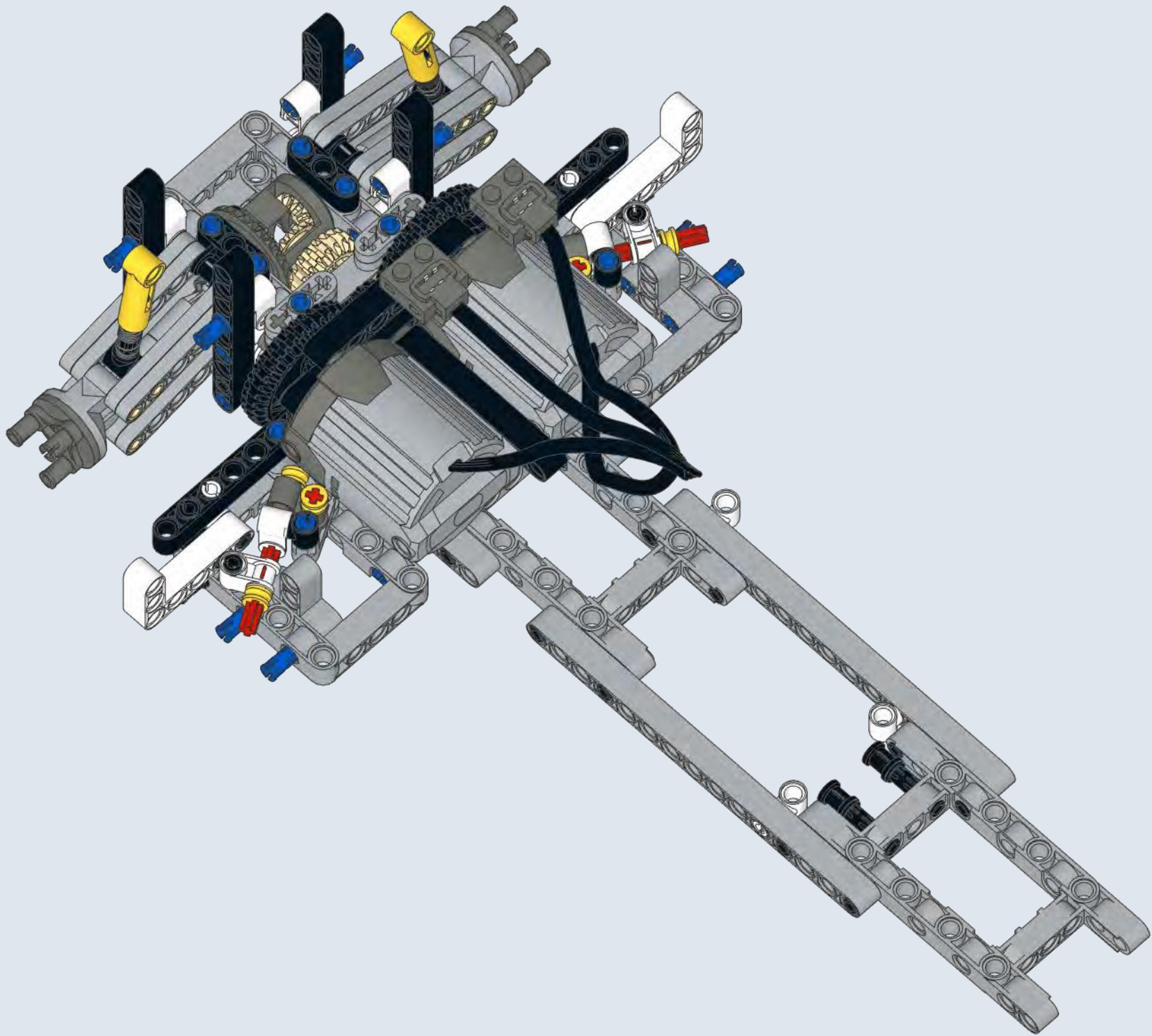


4



1x

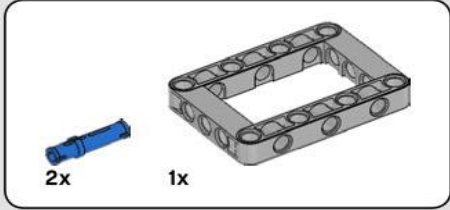
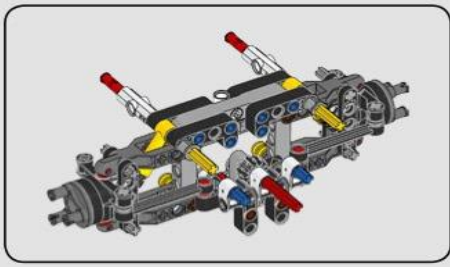




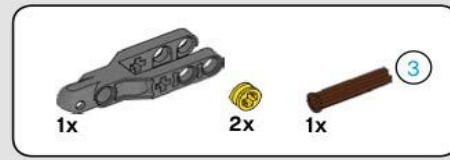
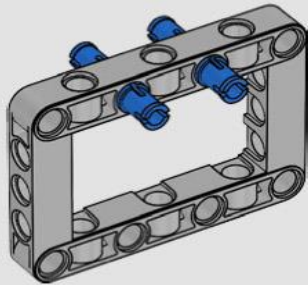


36-48

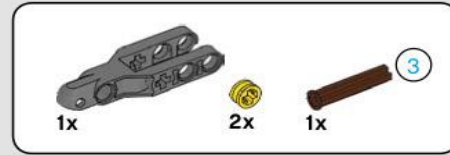
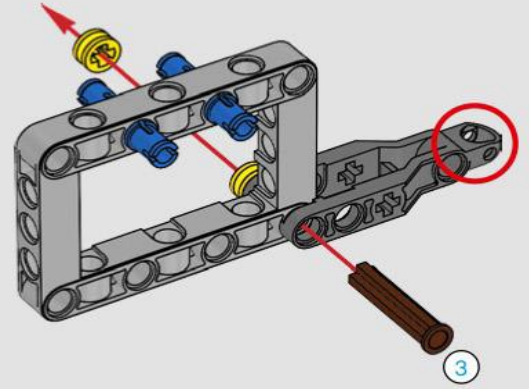
original steps



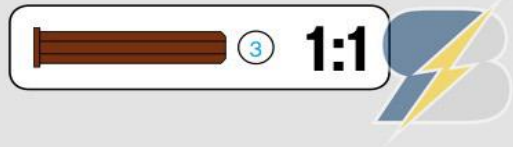
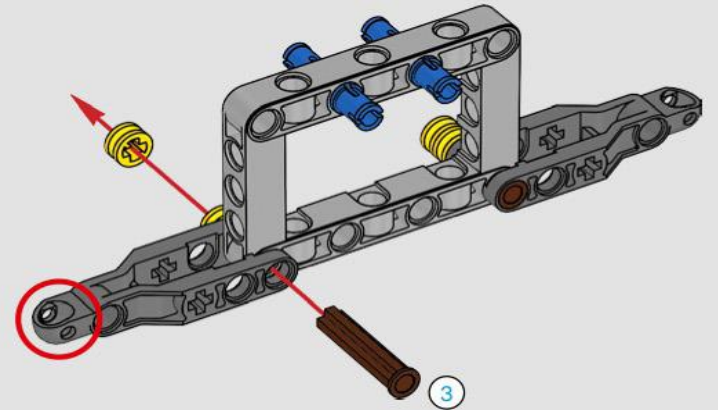
36

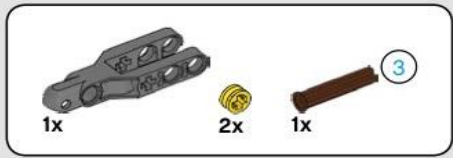


37

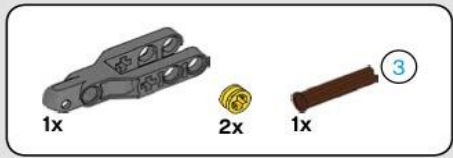
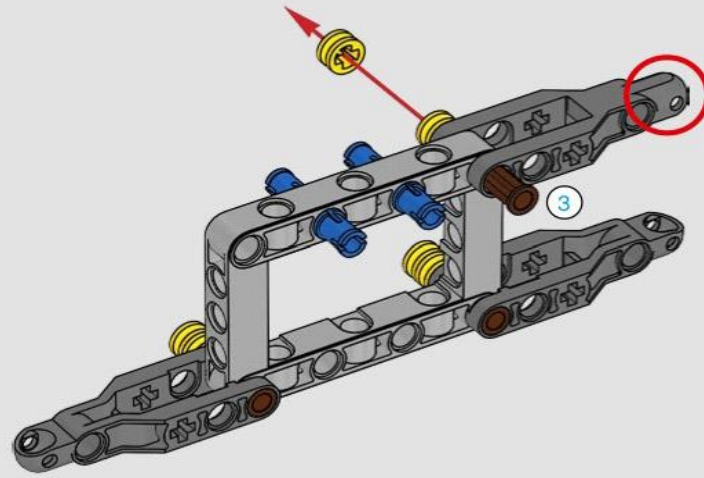
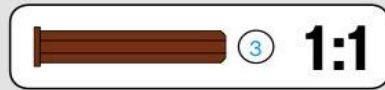


38

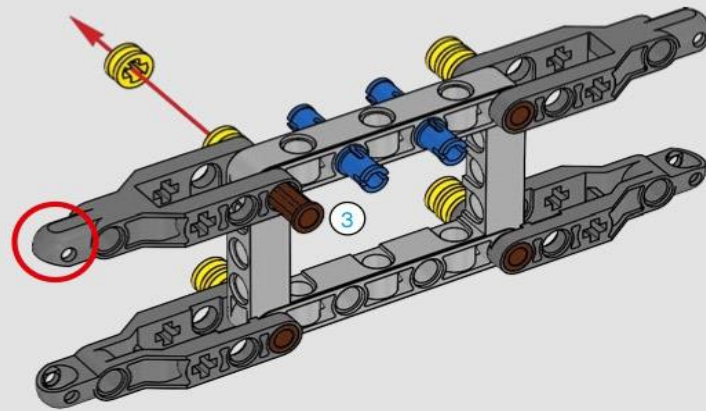


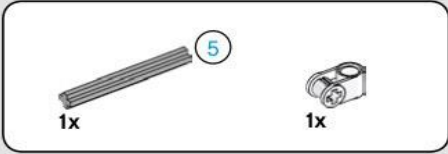
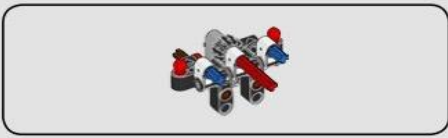


39

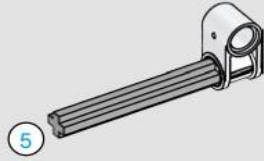


40

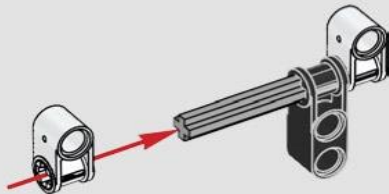




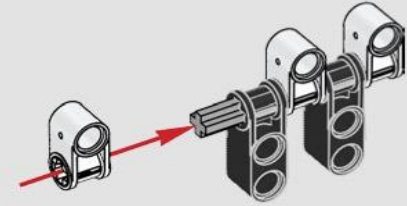
41



42

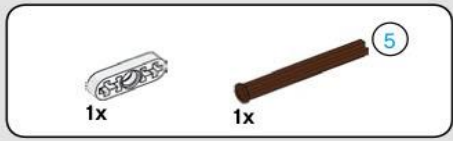


43

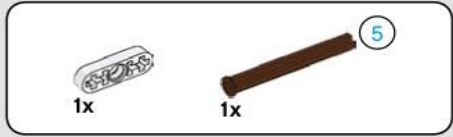
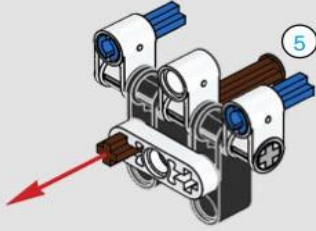


44

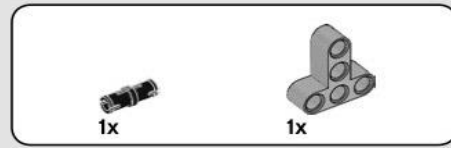
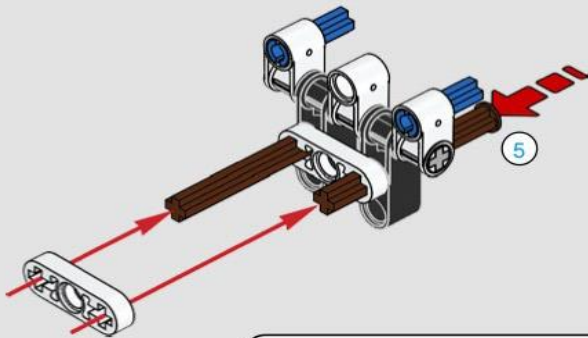




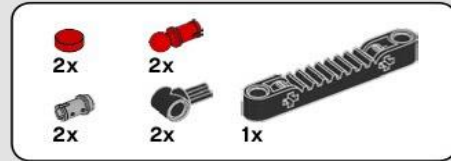
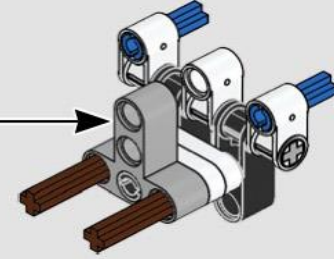
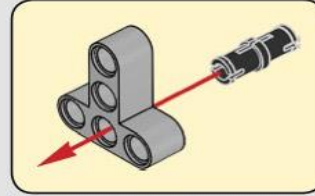
45



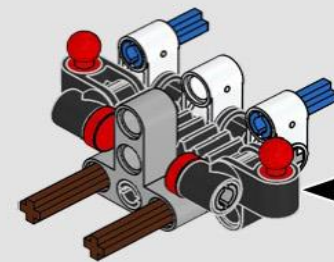
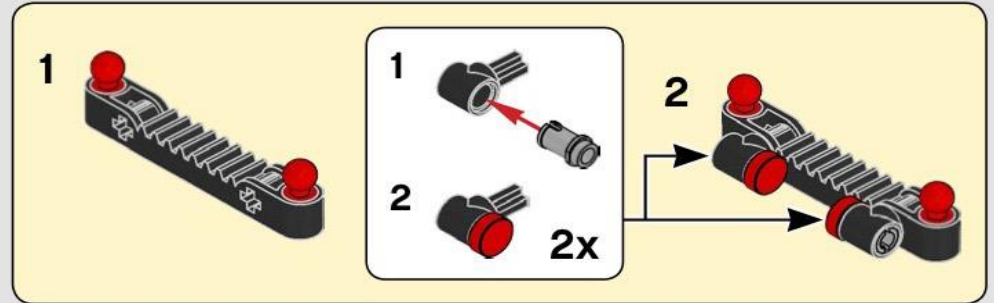
46



47

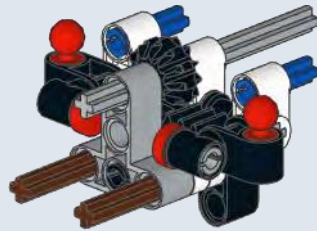
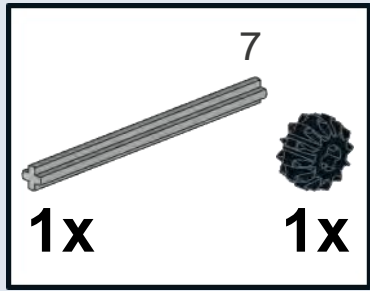


48





49



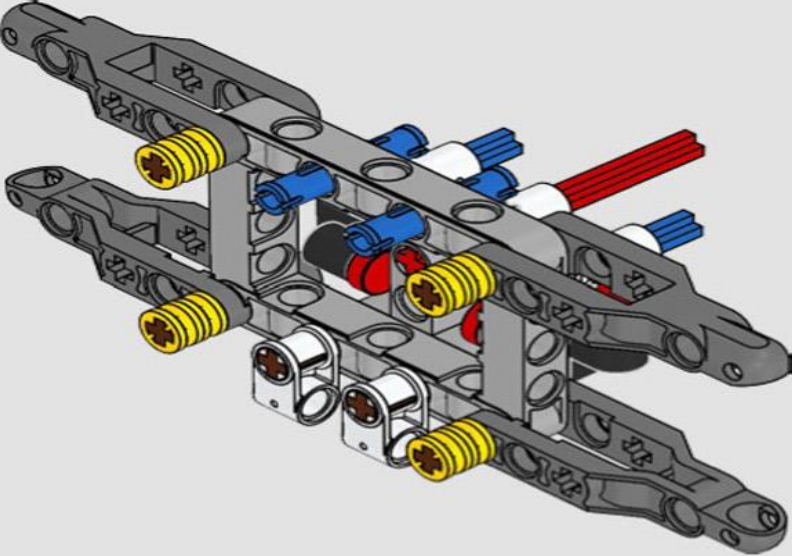
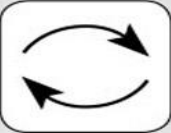


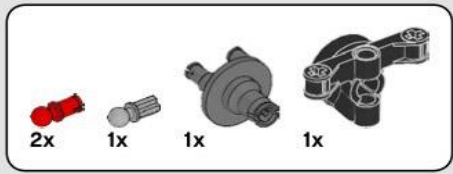
50-87

original steps

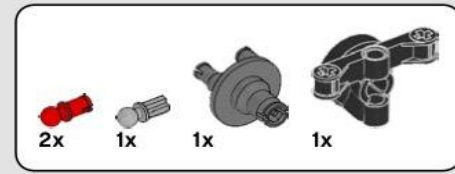
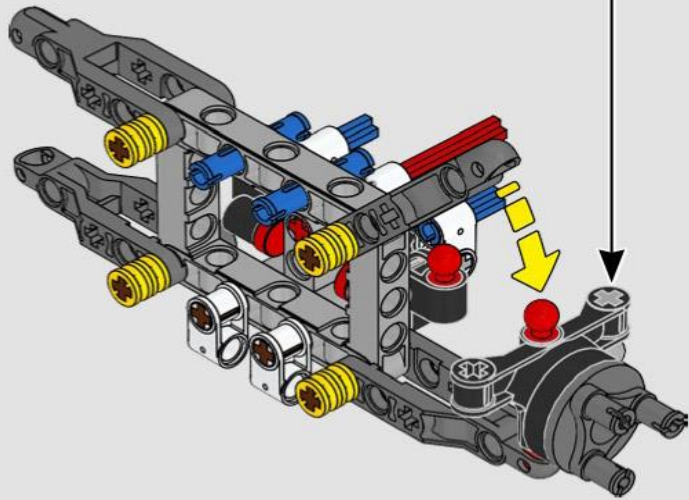
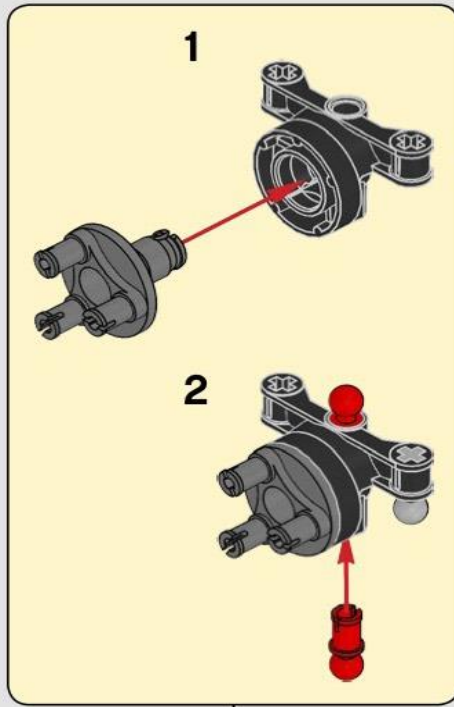


50

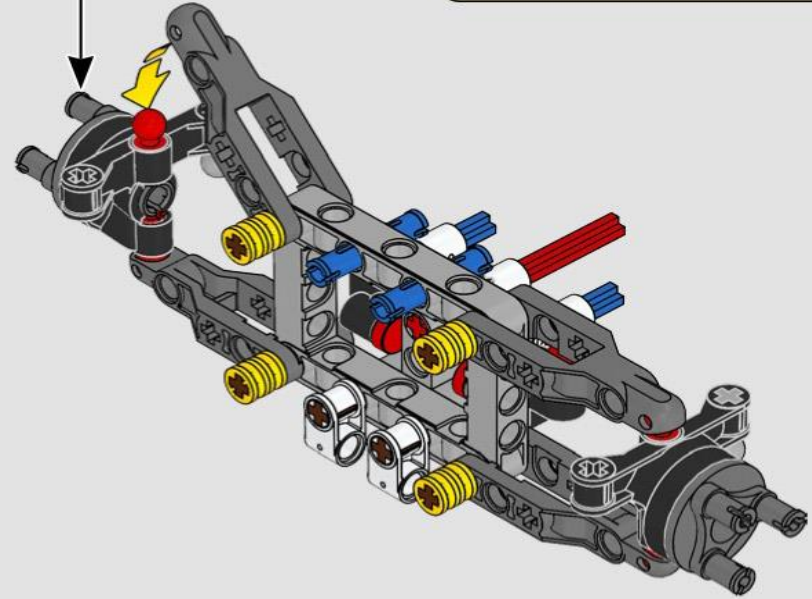
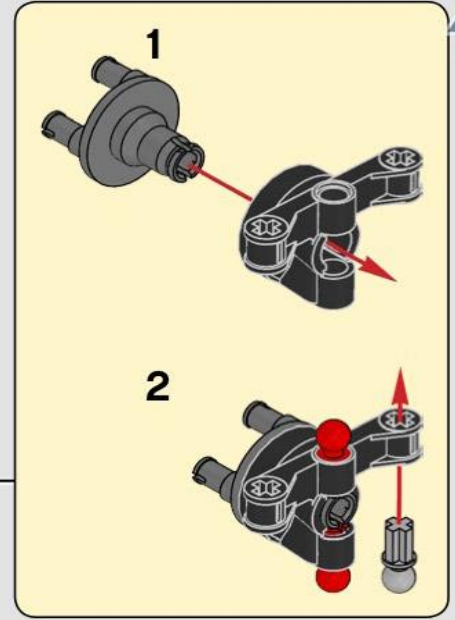


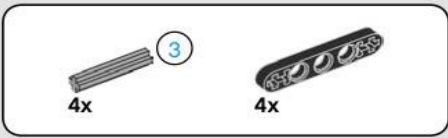


51

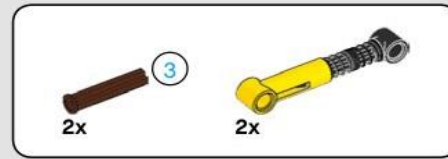
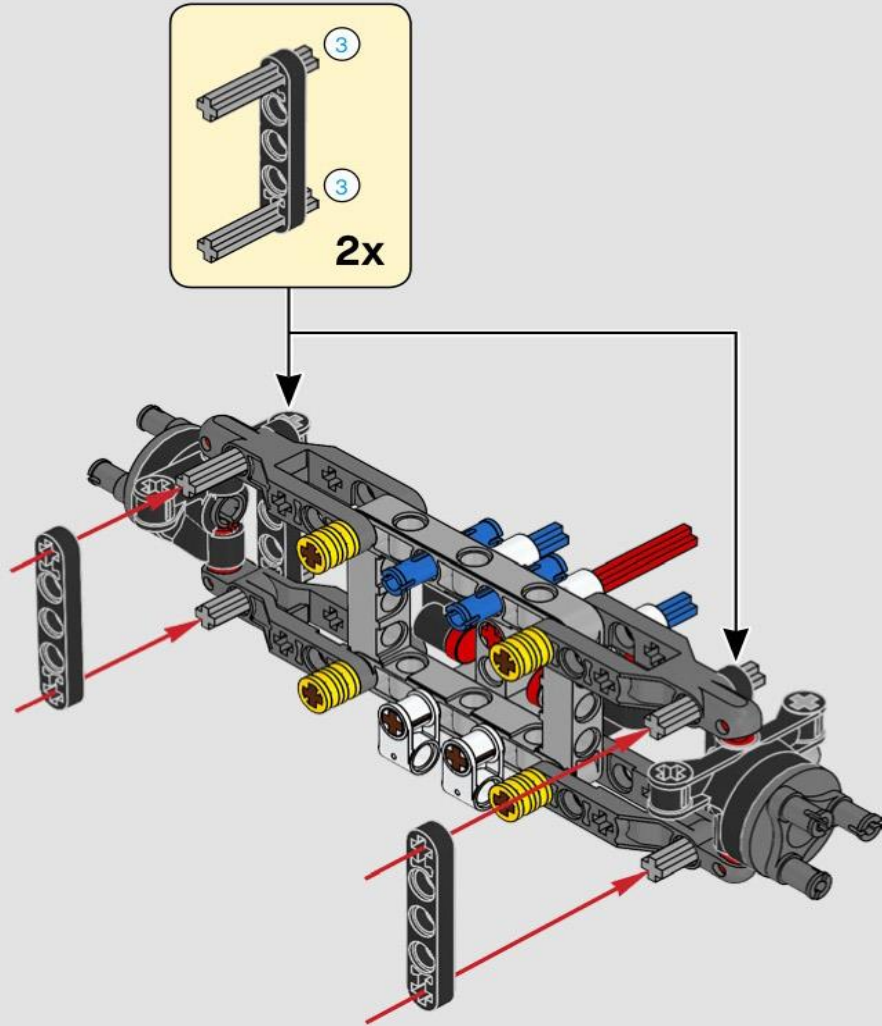


52

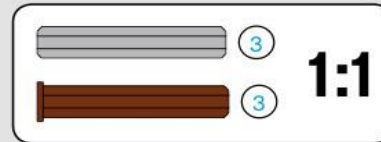
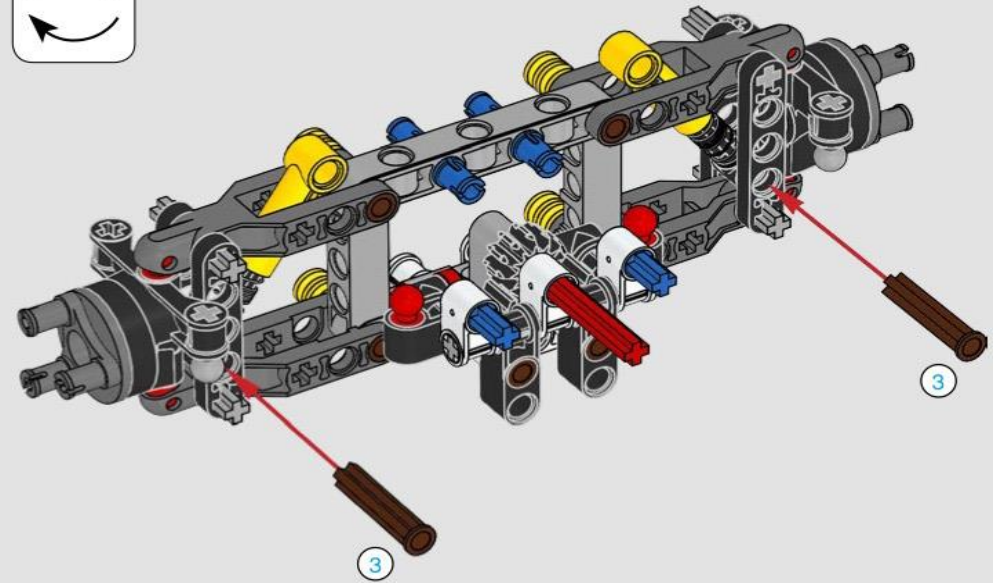




53

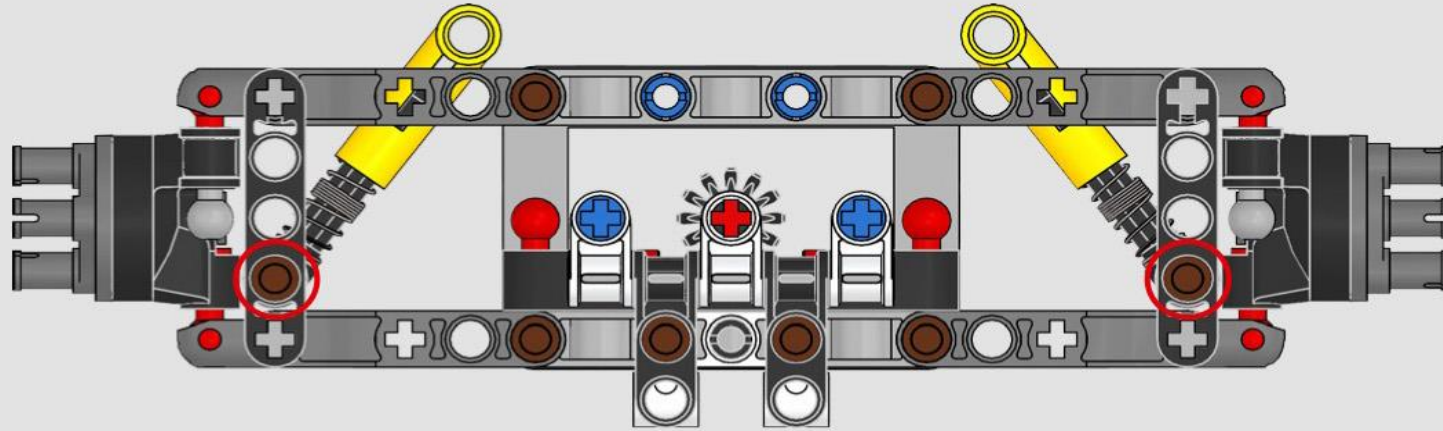


54





55

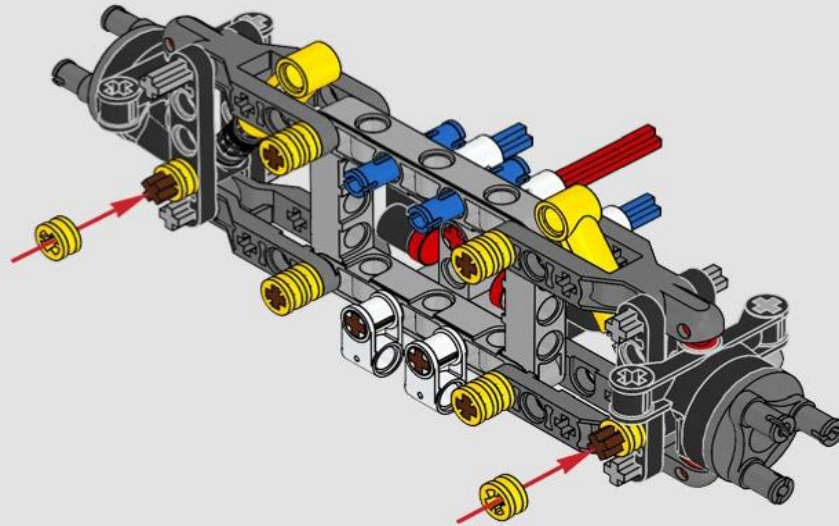


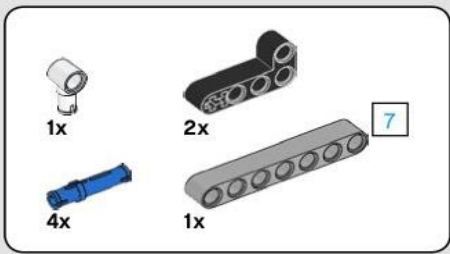
1:1



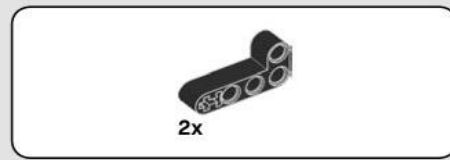
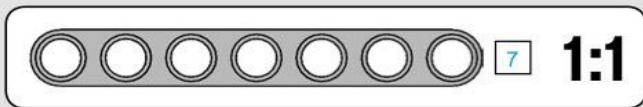
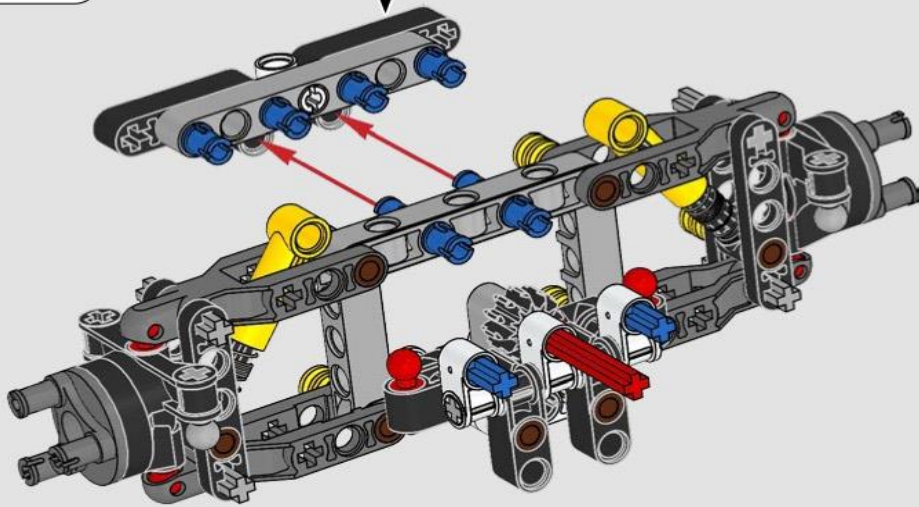
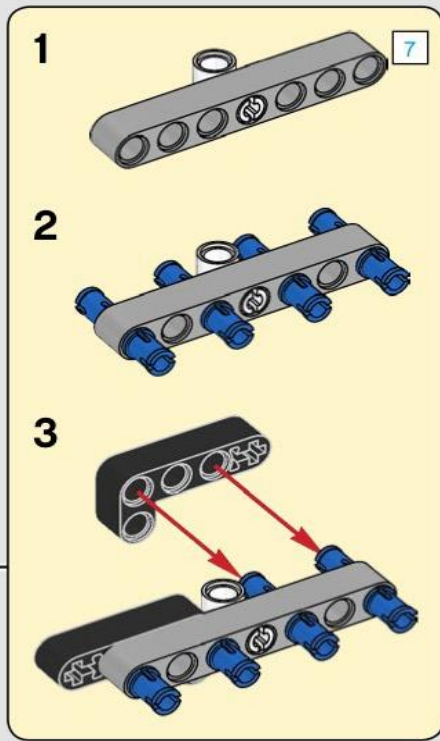
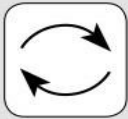
4x

56

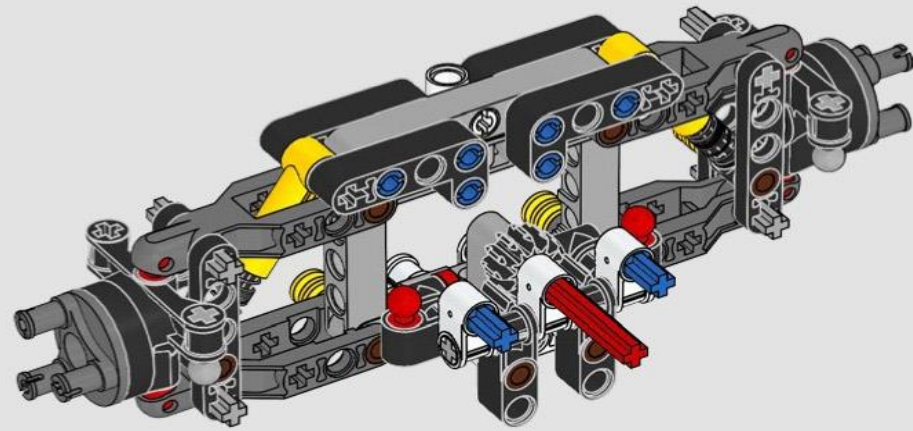


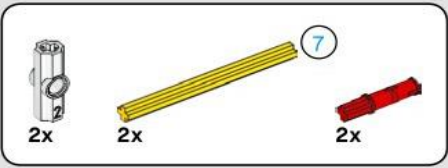


57

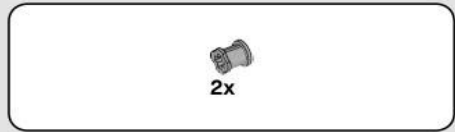
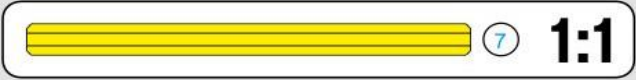
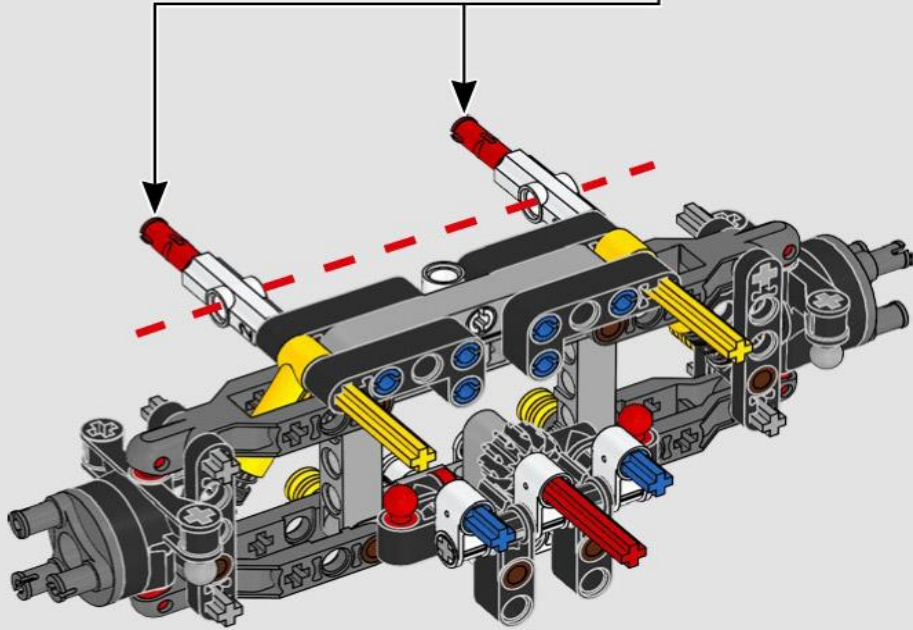
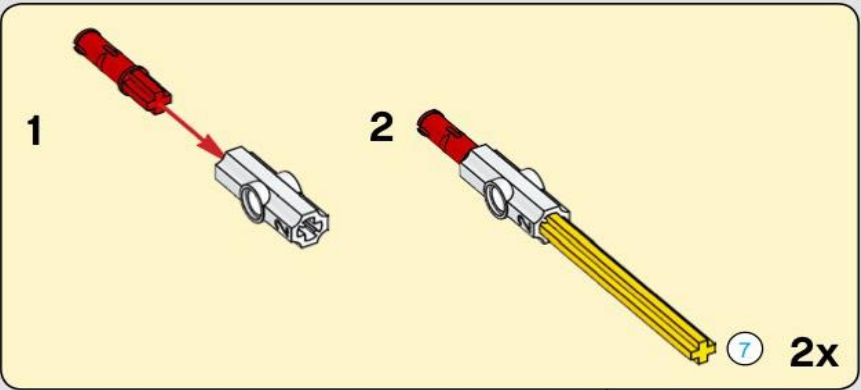


58

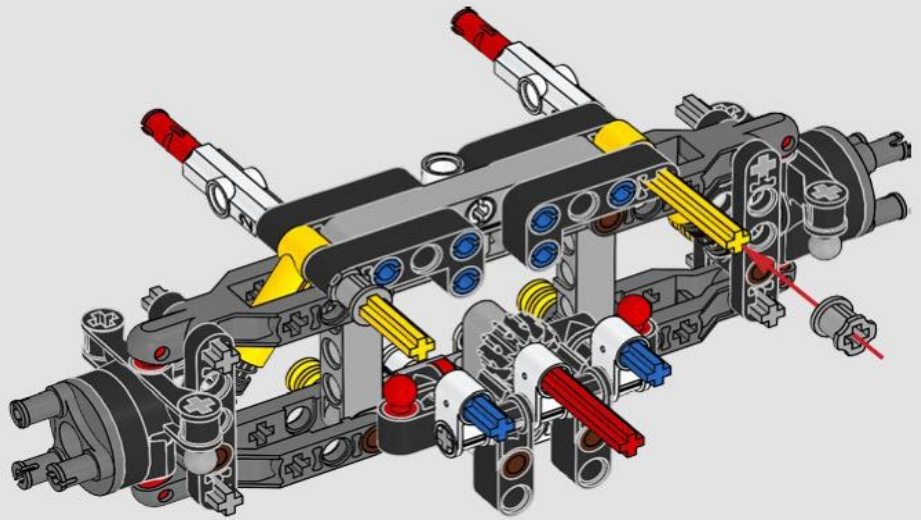


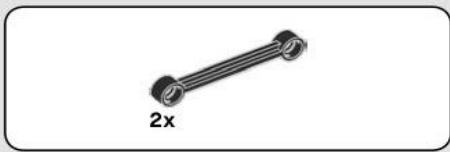


59

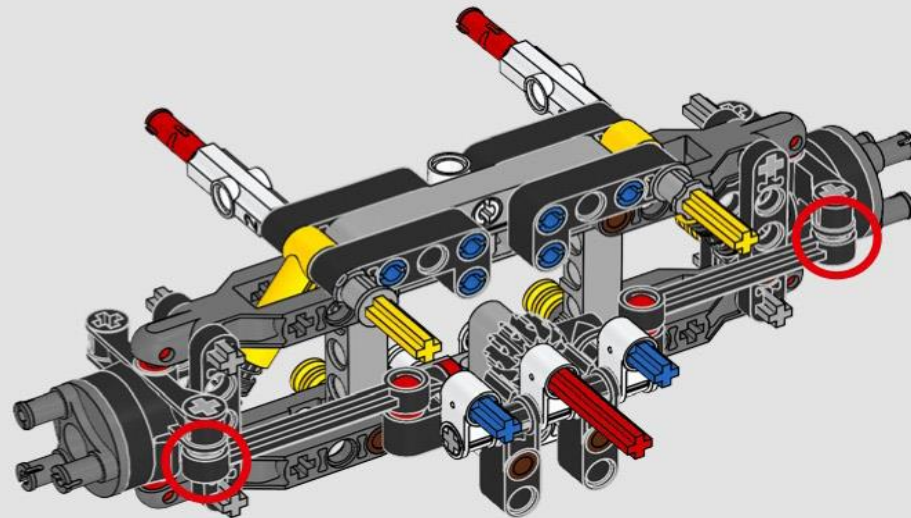


60



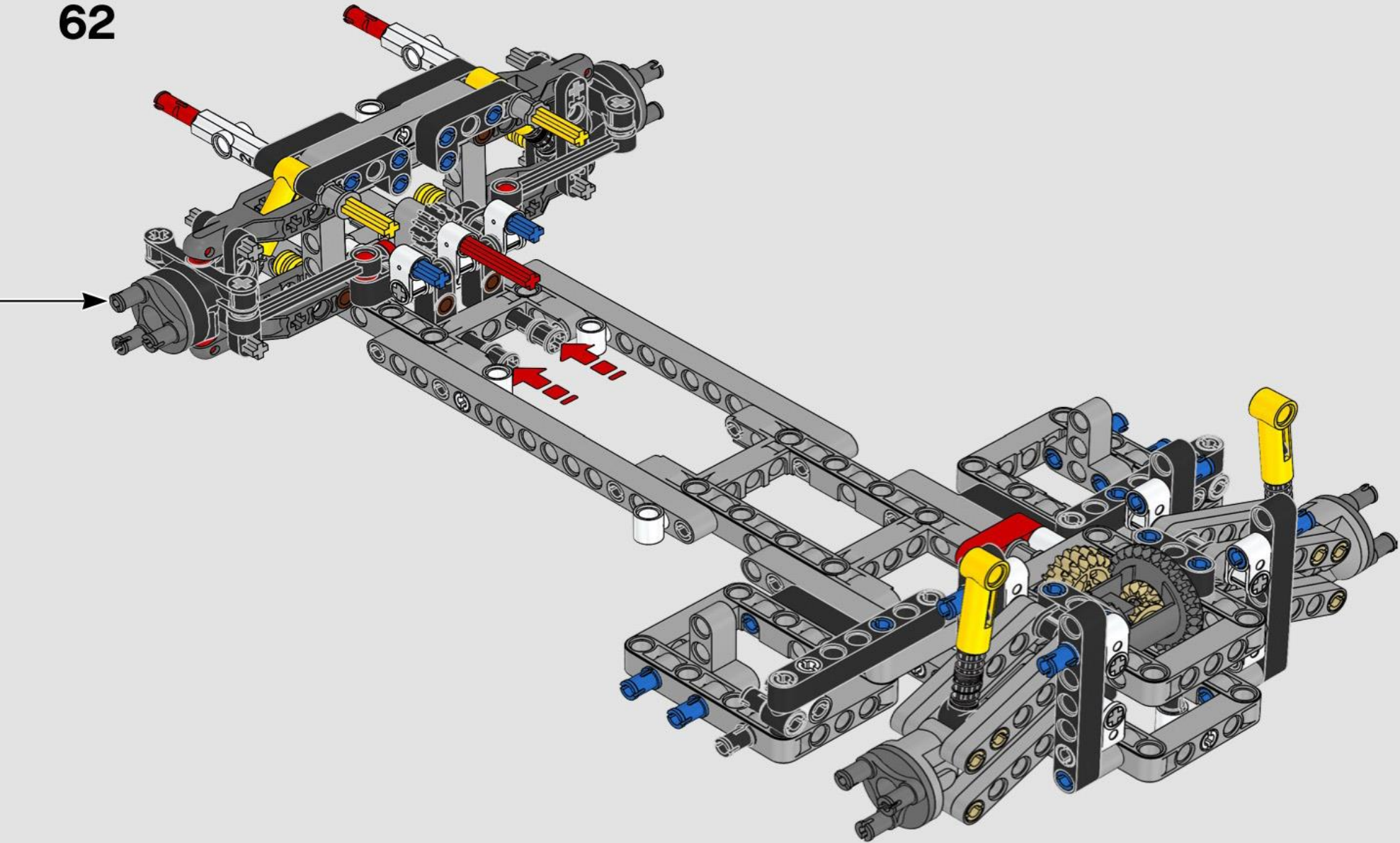


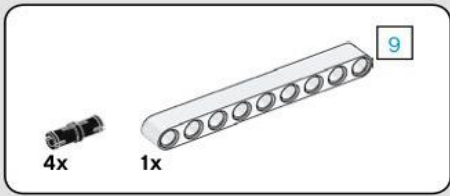
61



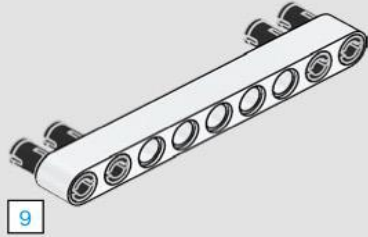


62

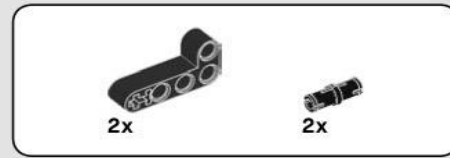
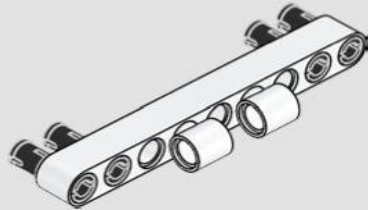




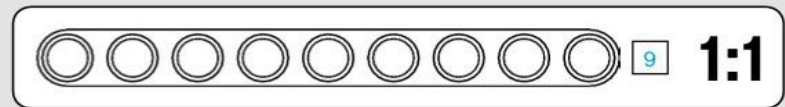
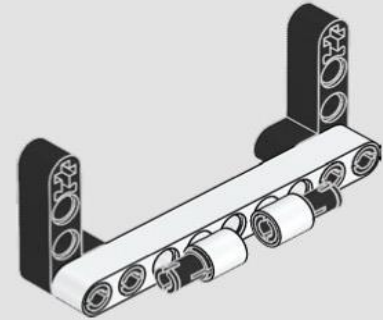
63



64

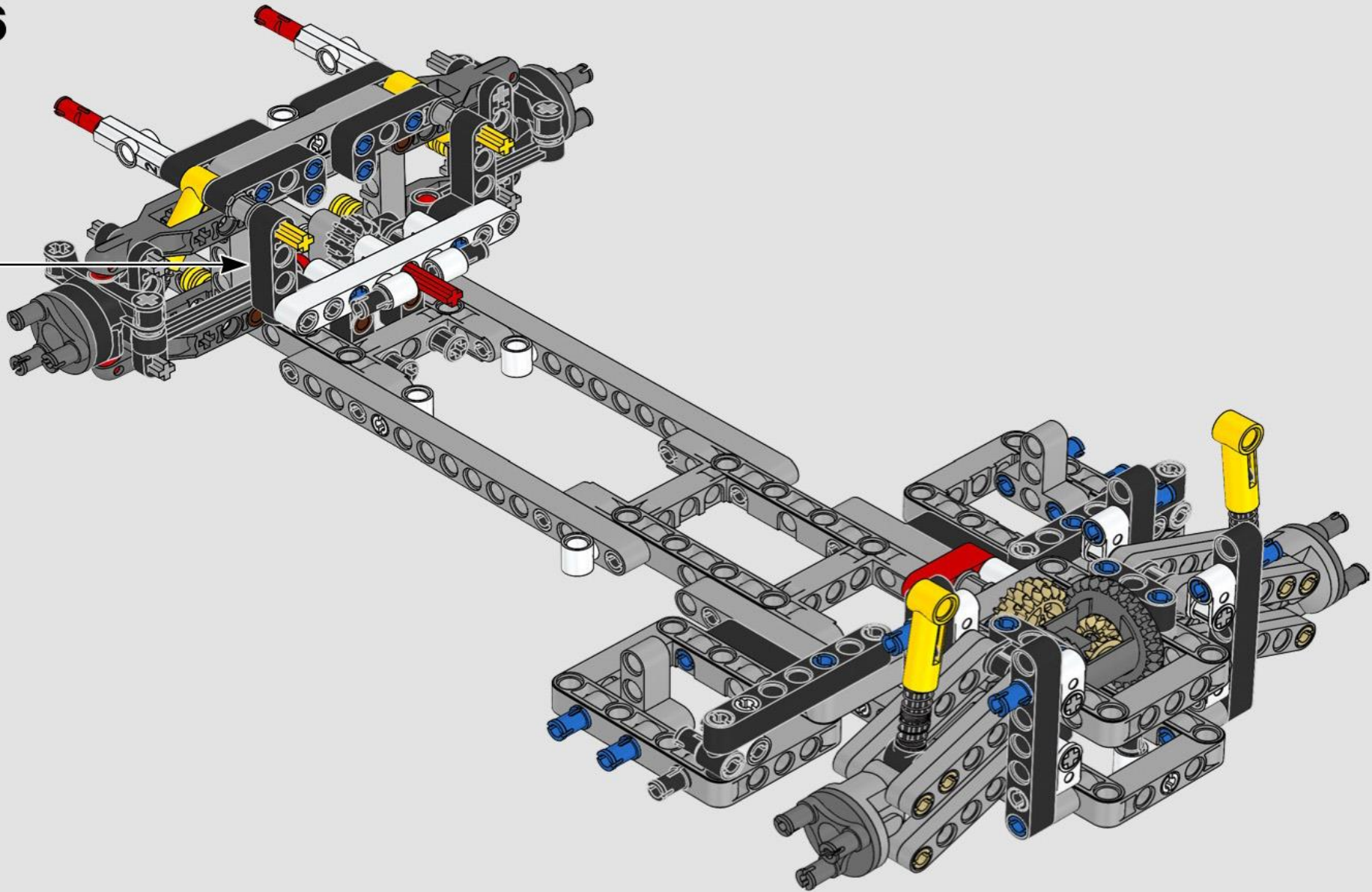


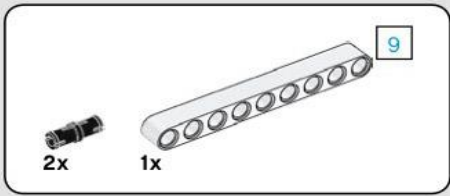
65



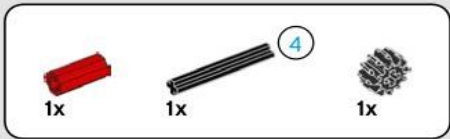
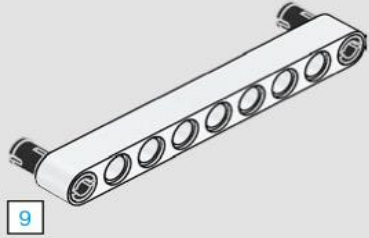


66

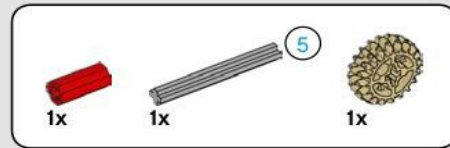
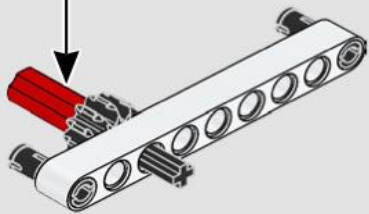
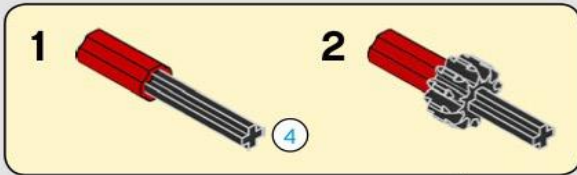




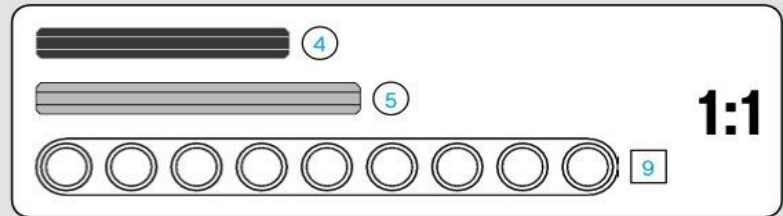
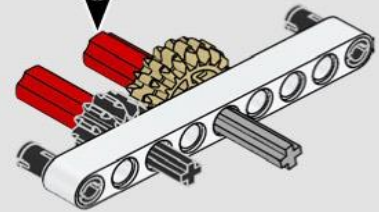
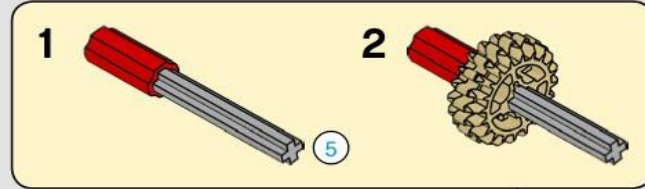
67



68

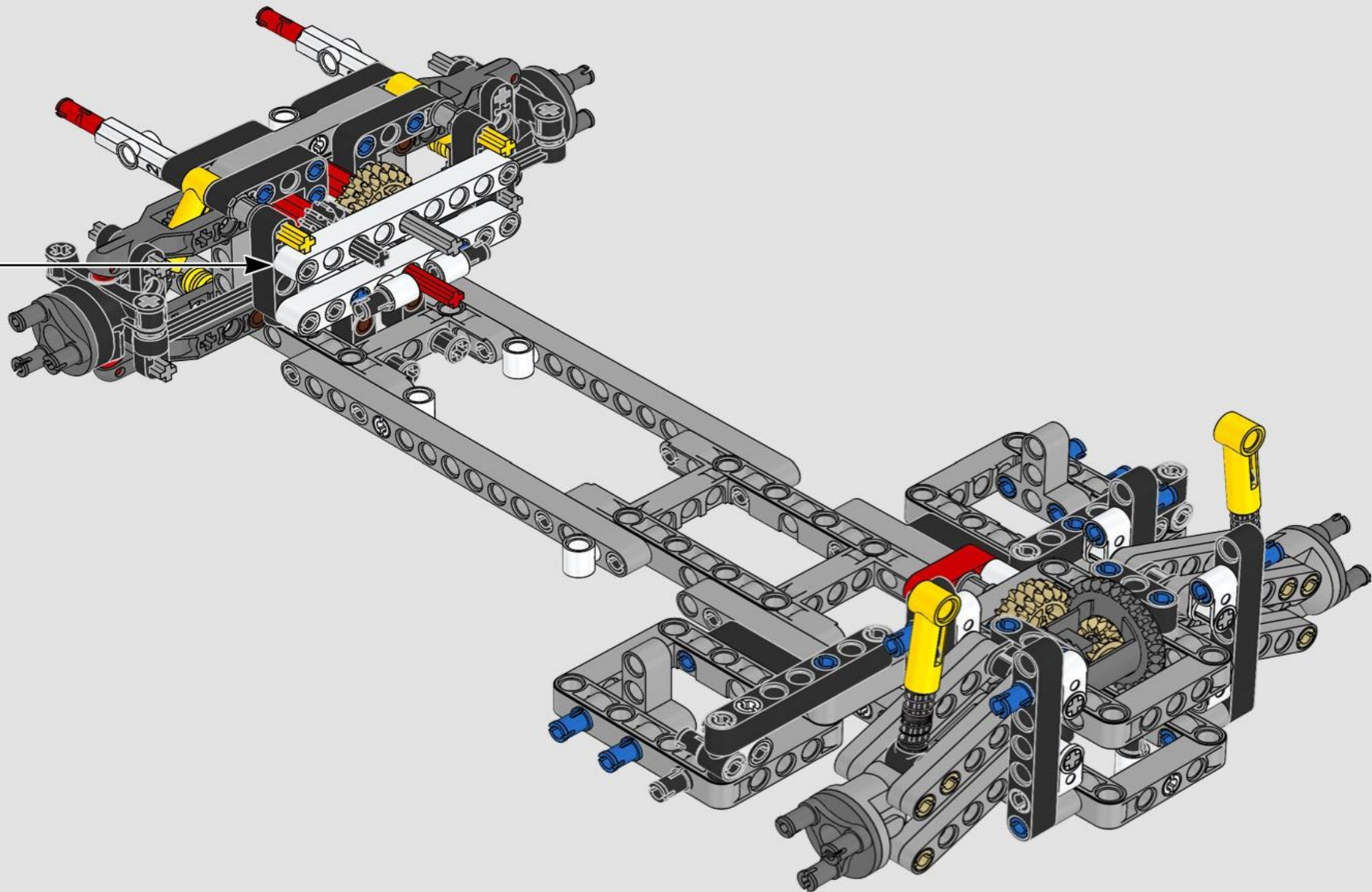


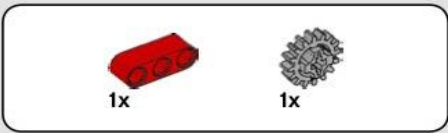
69



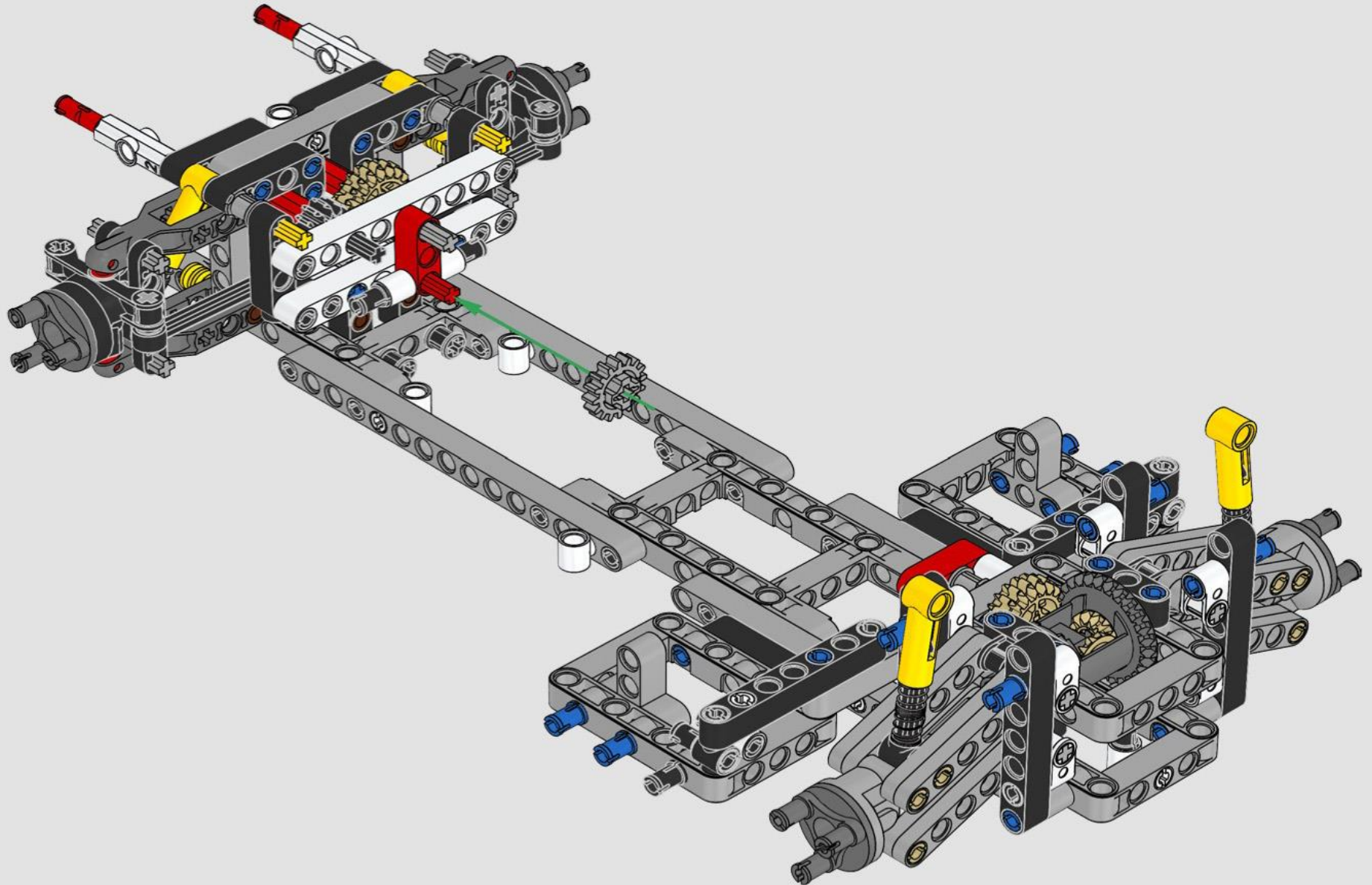


70





71

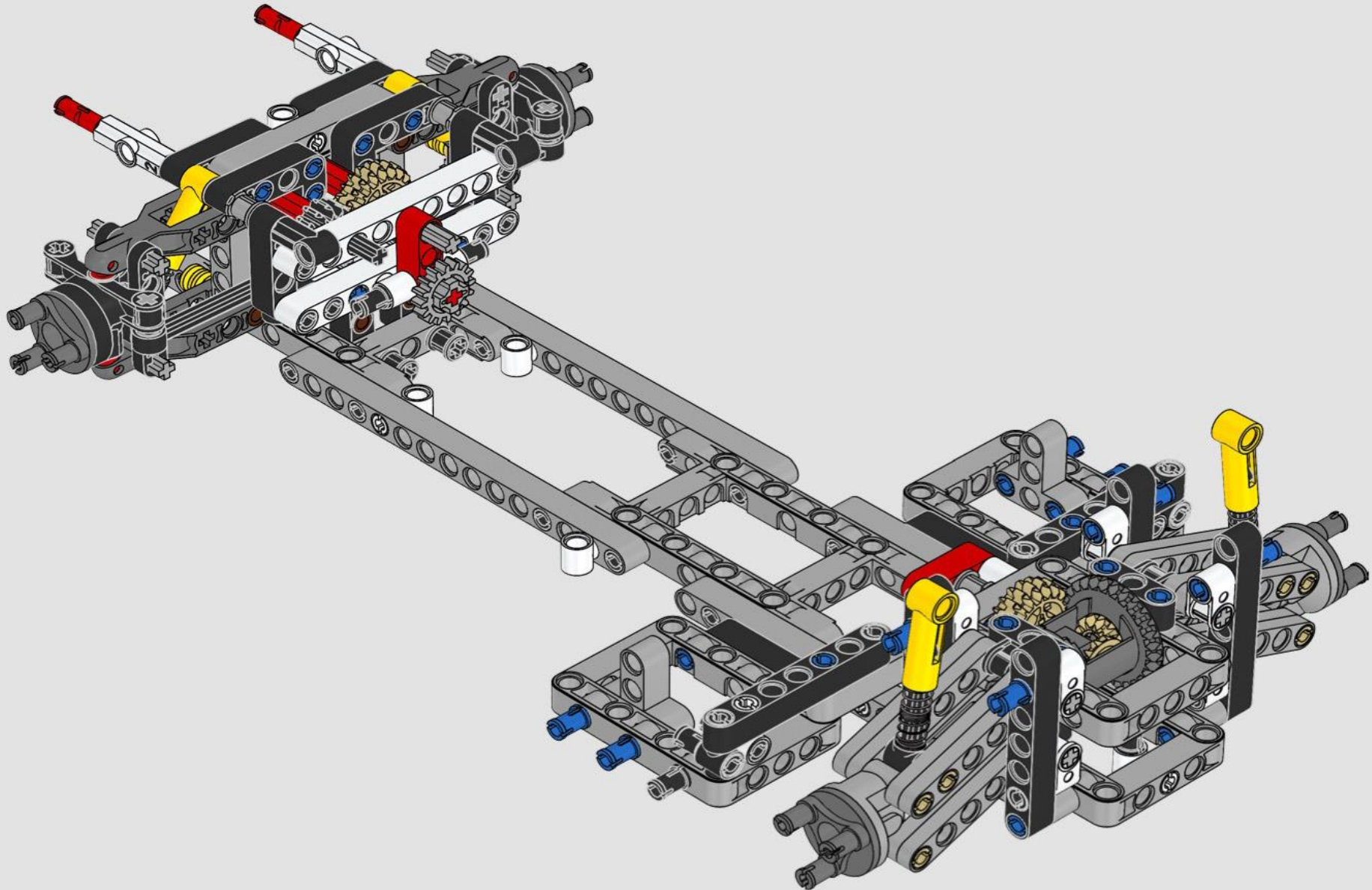


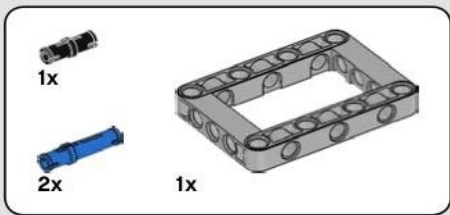


2x

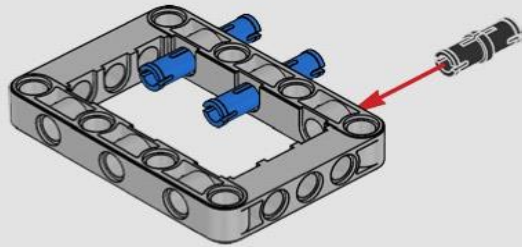


72

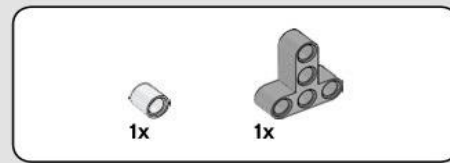
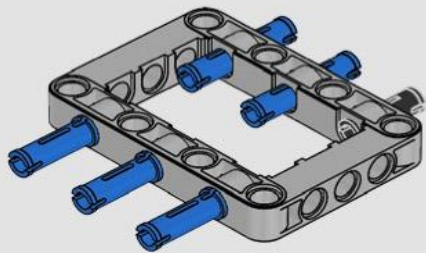




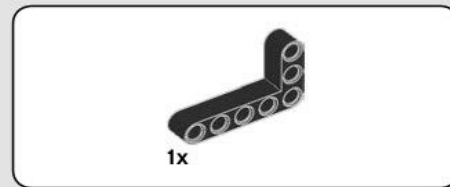
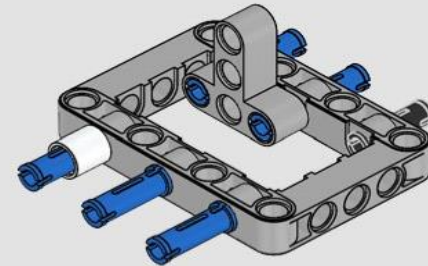
73



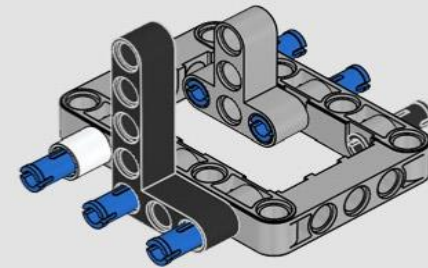
74



75

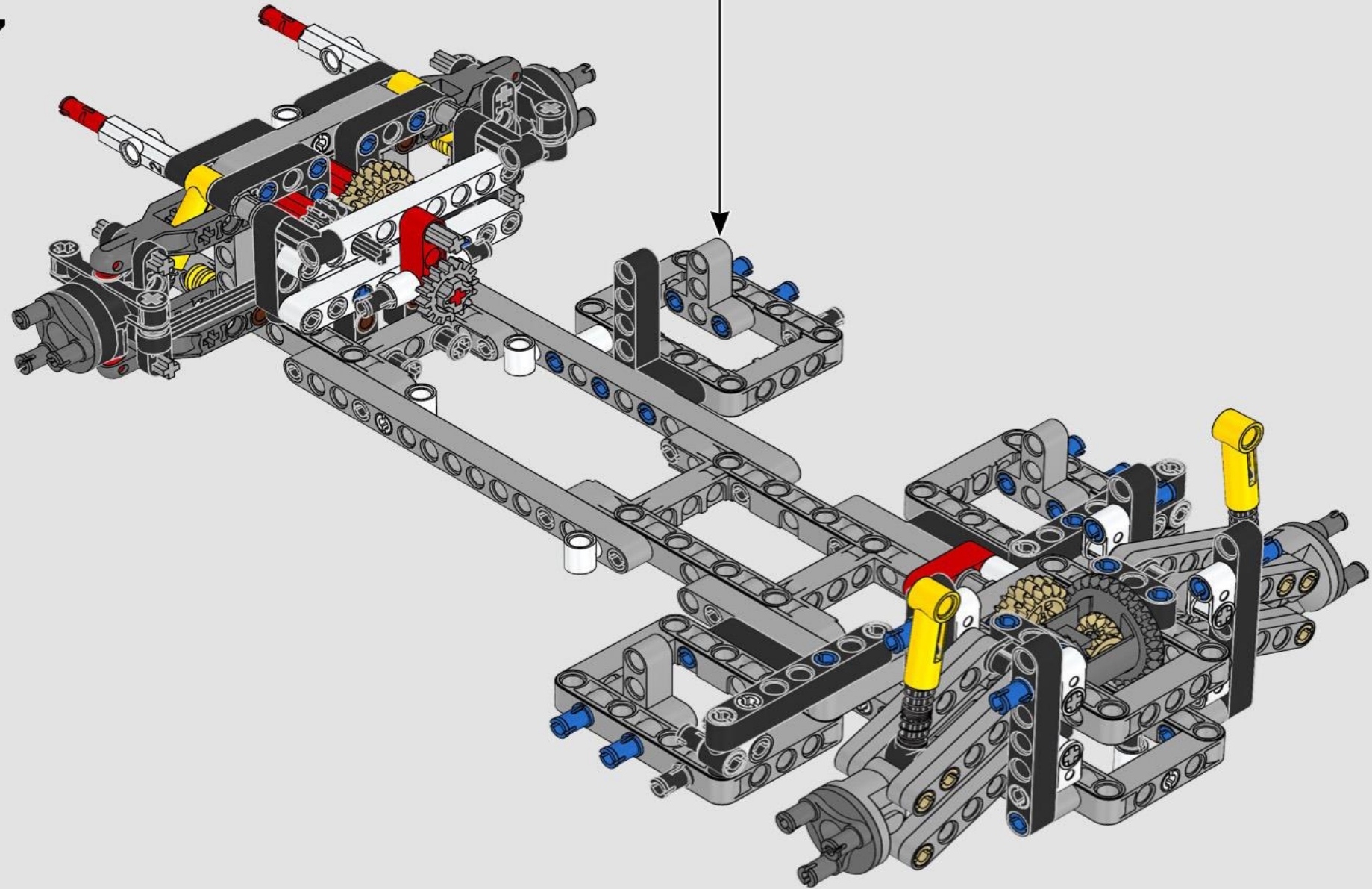


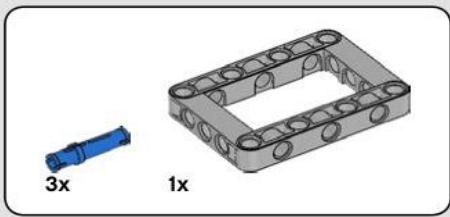
76



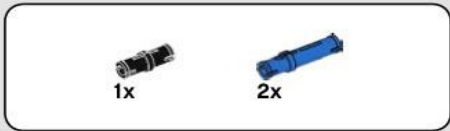
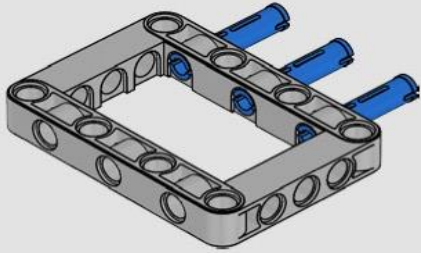


77

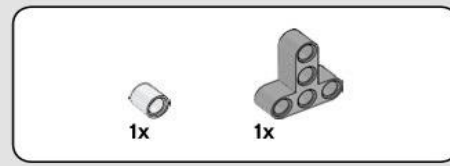
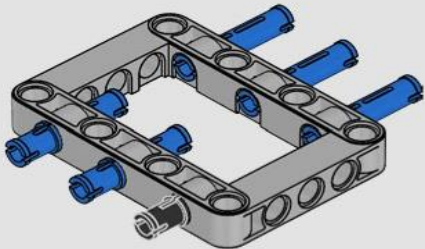




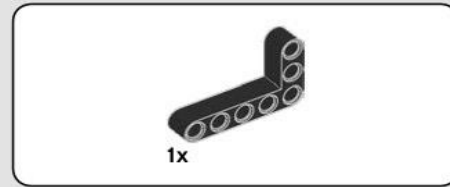
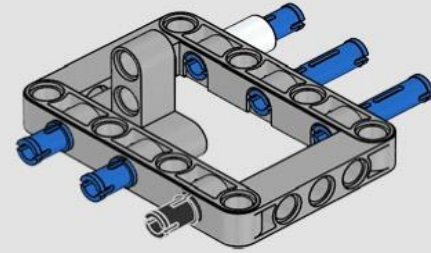
78



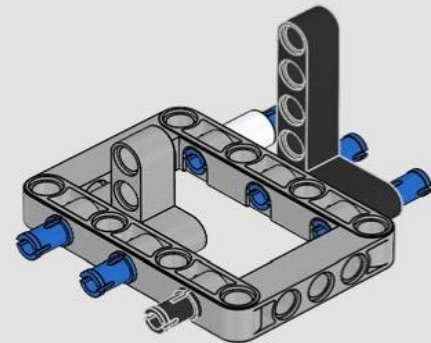
79



80

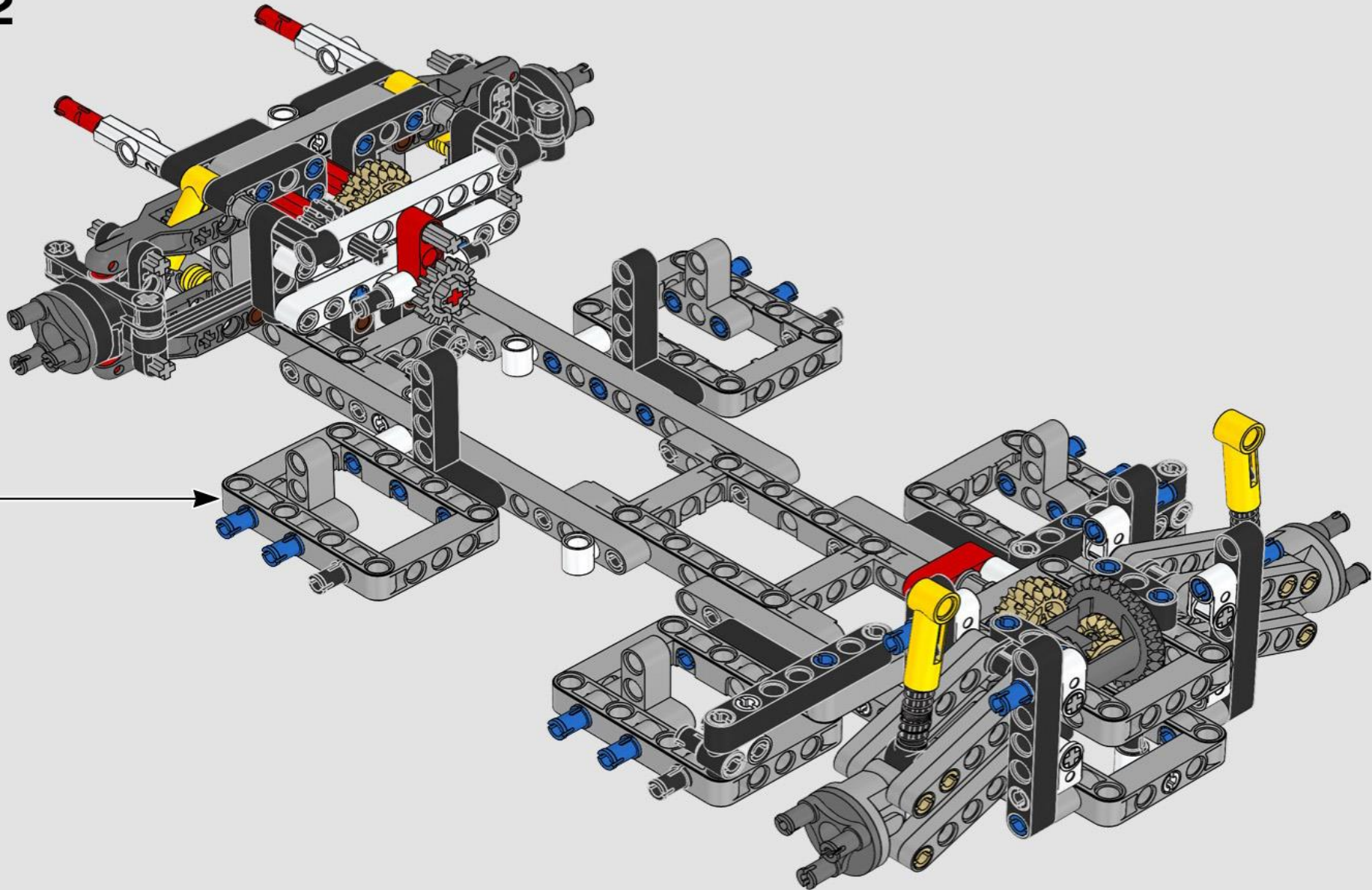


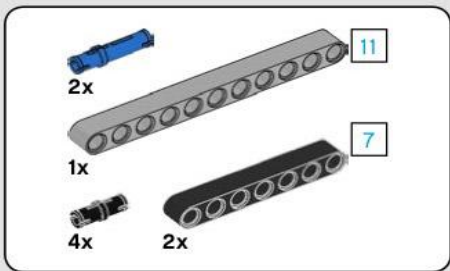
81



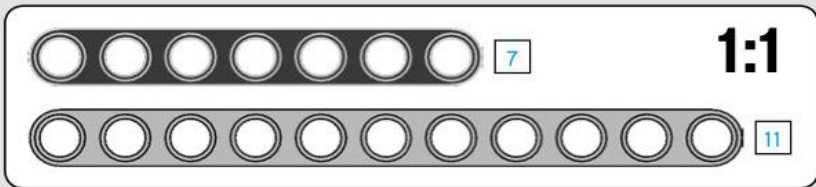
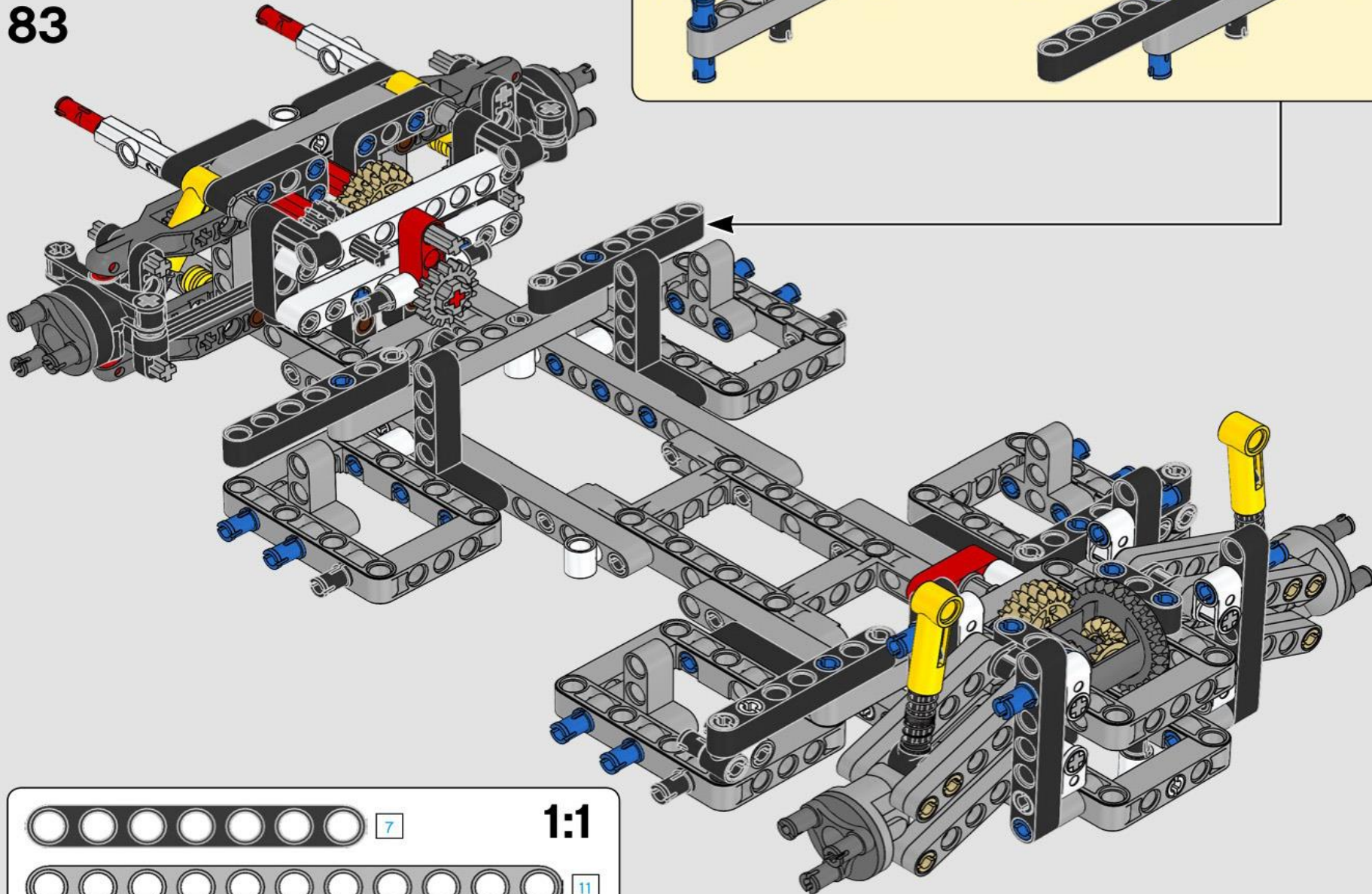
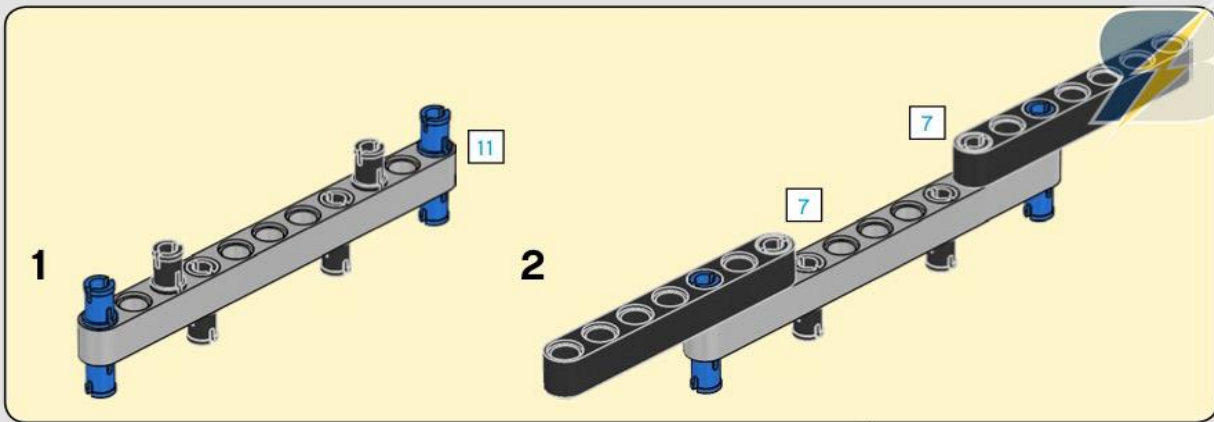


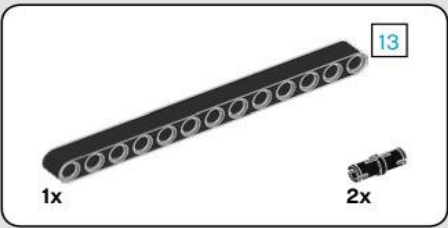
82



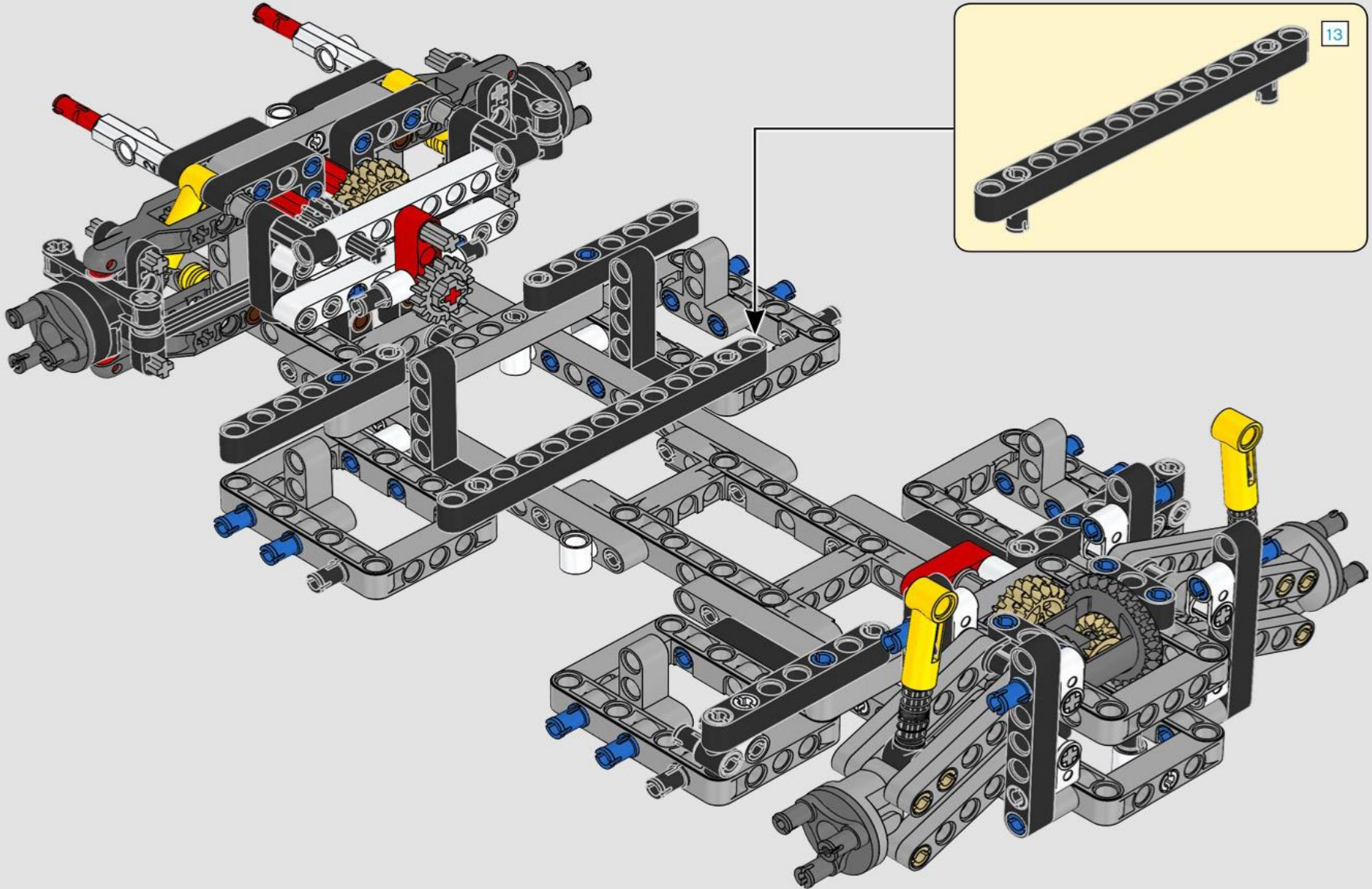


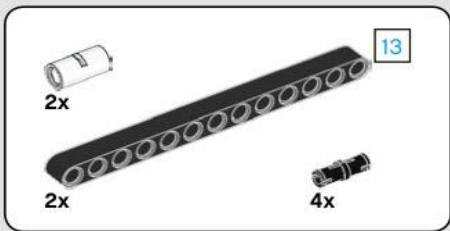
83



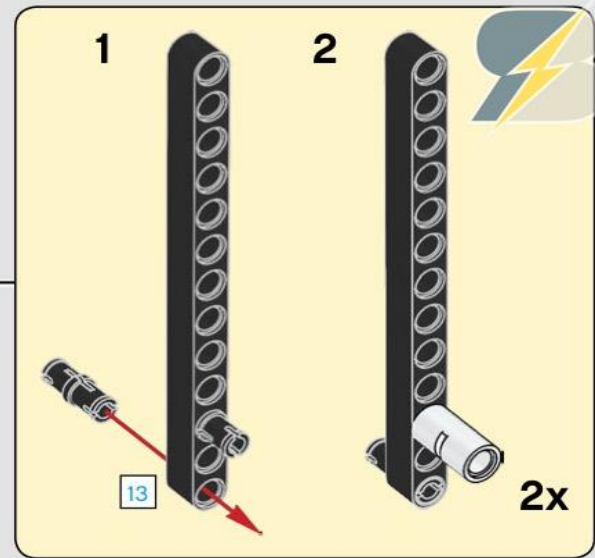
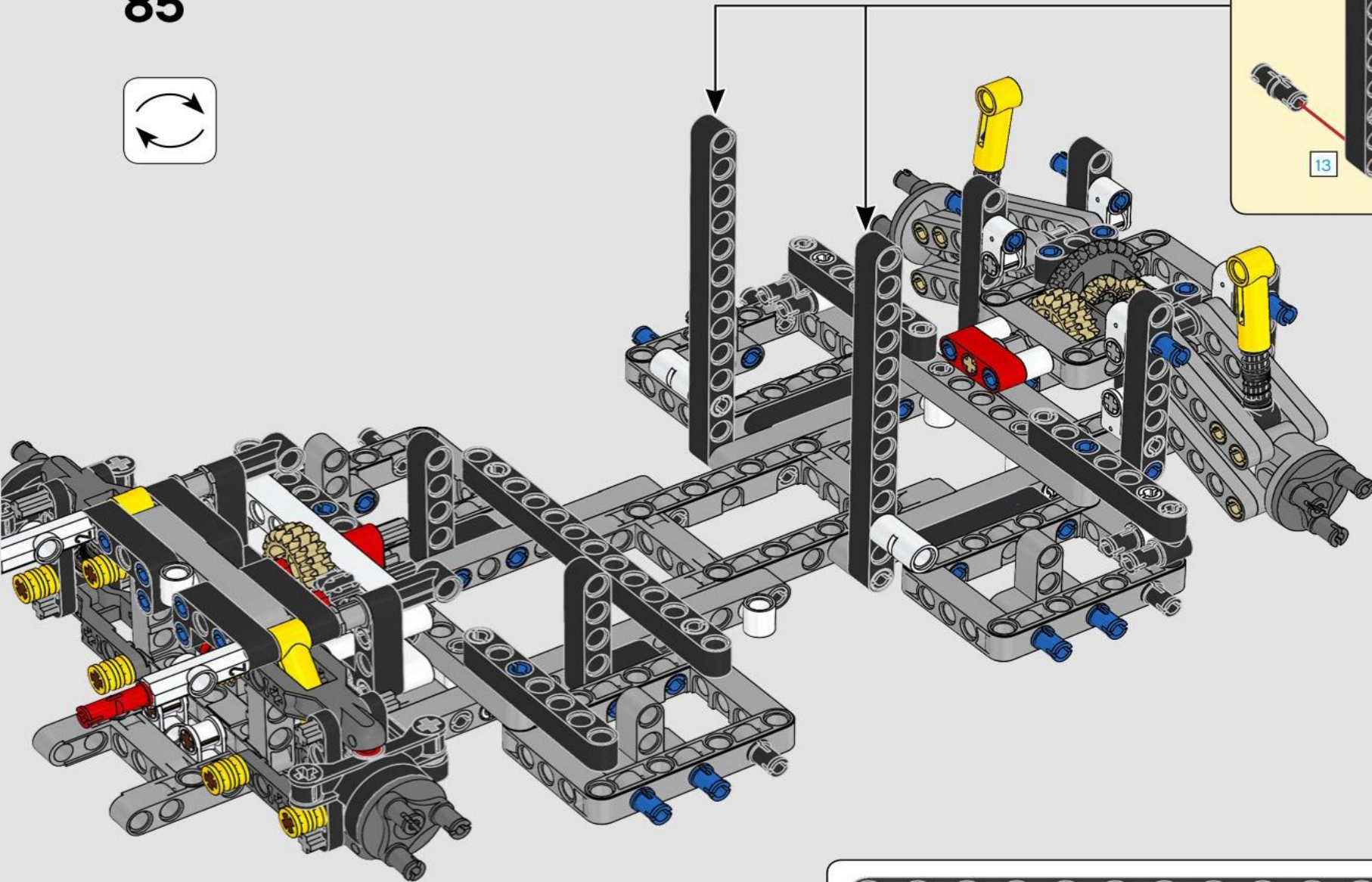


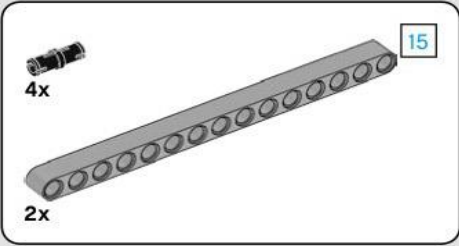
84



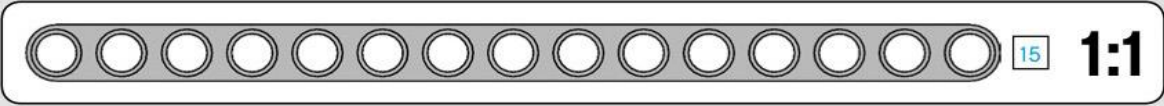
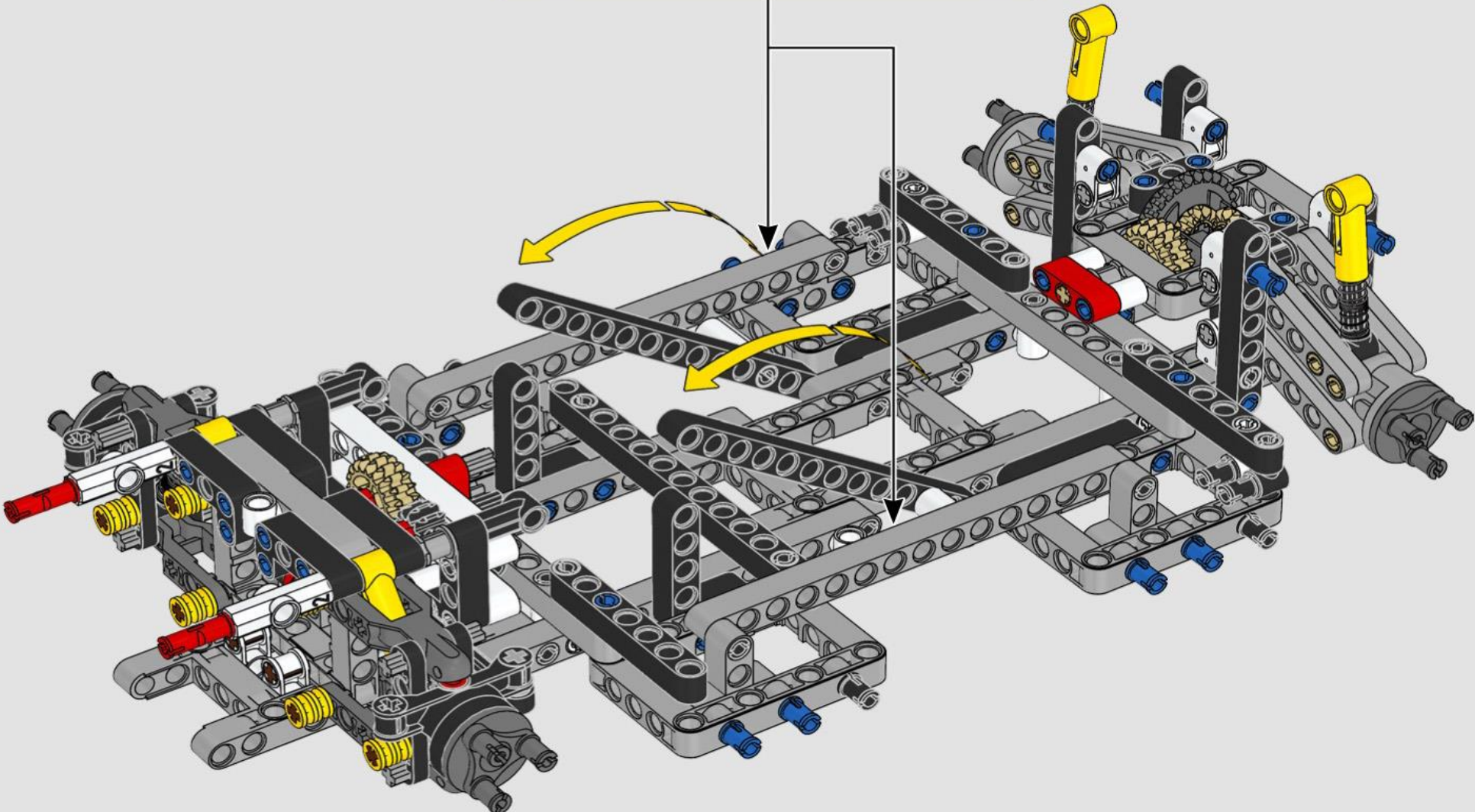
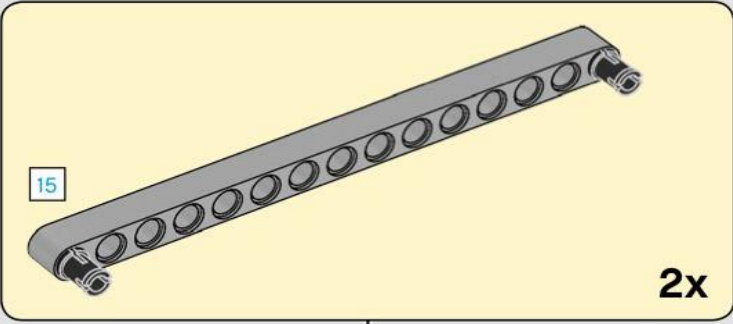


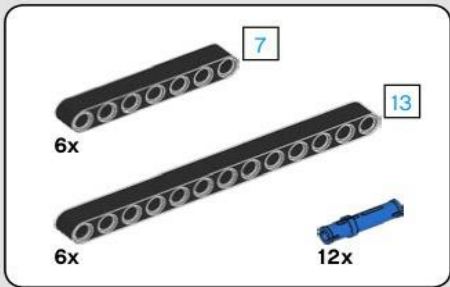
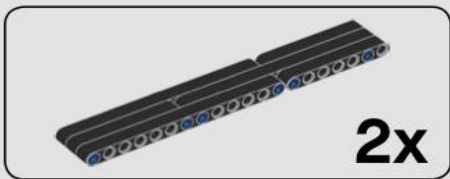
85



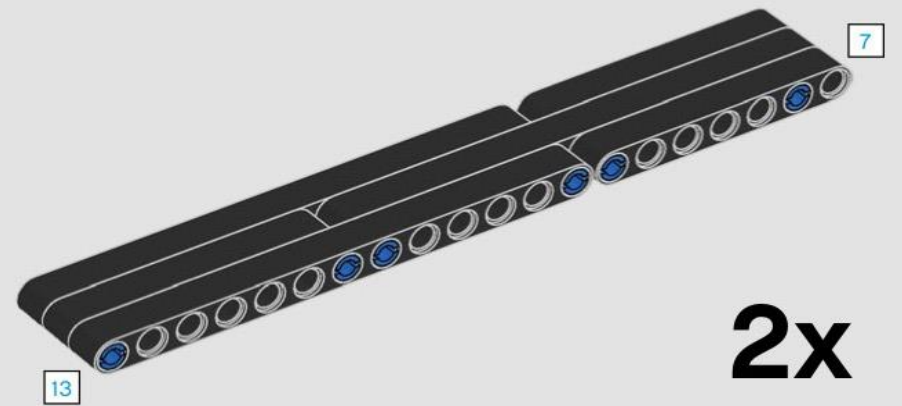
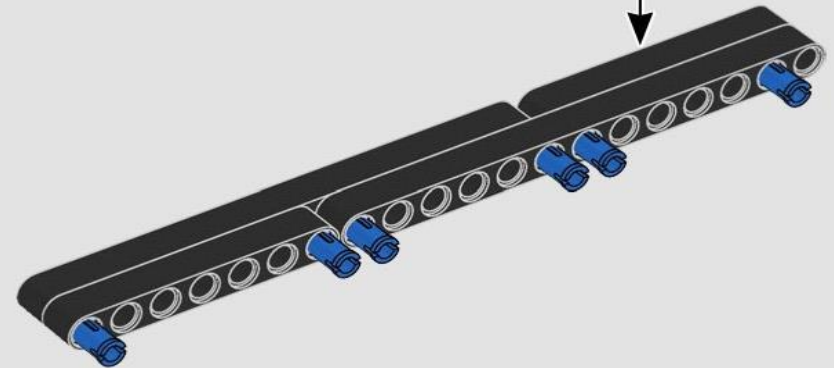
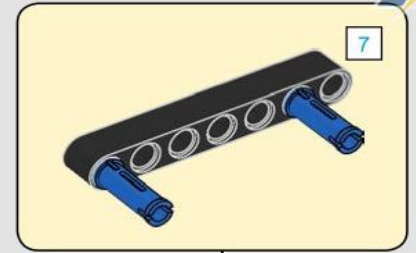
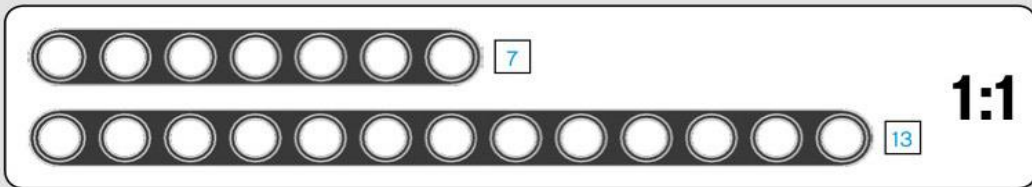
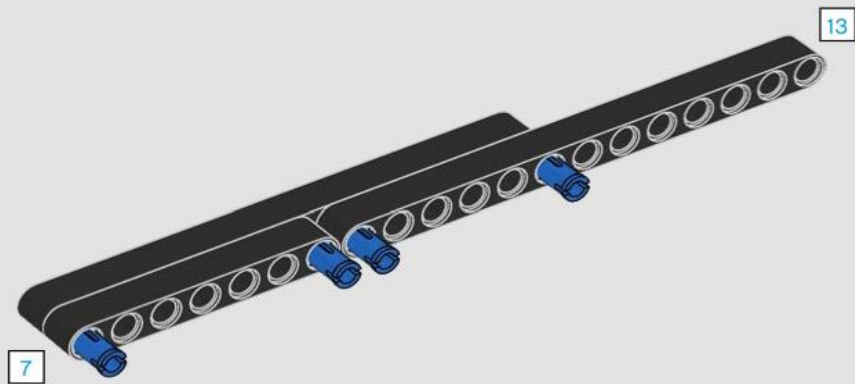
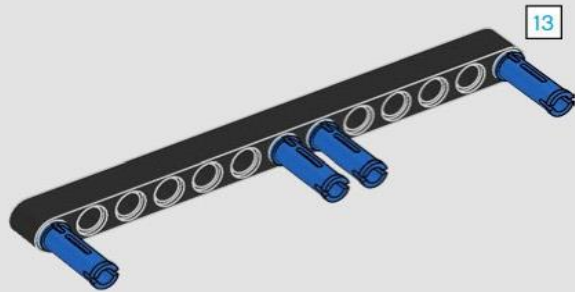


86





87

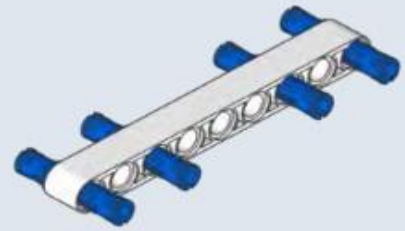


2x



1

9
1x 4x



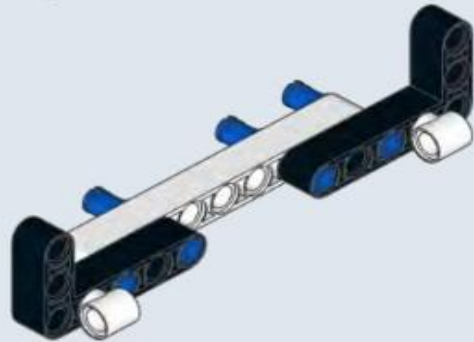
2

2x



3

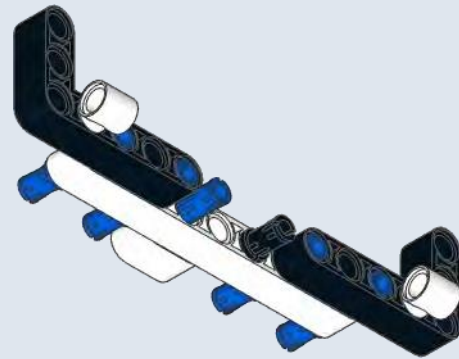
2x





4

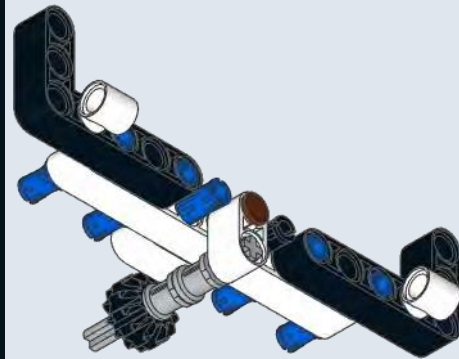
1x
1x 1x



5

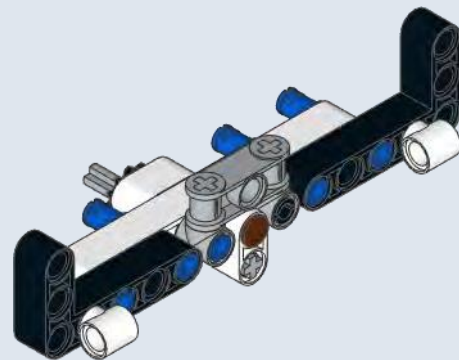
3
1x
1x

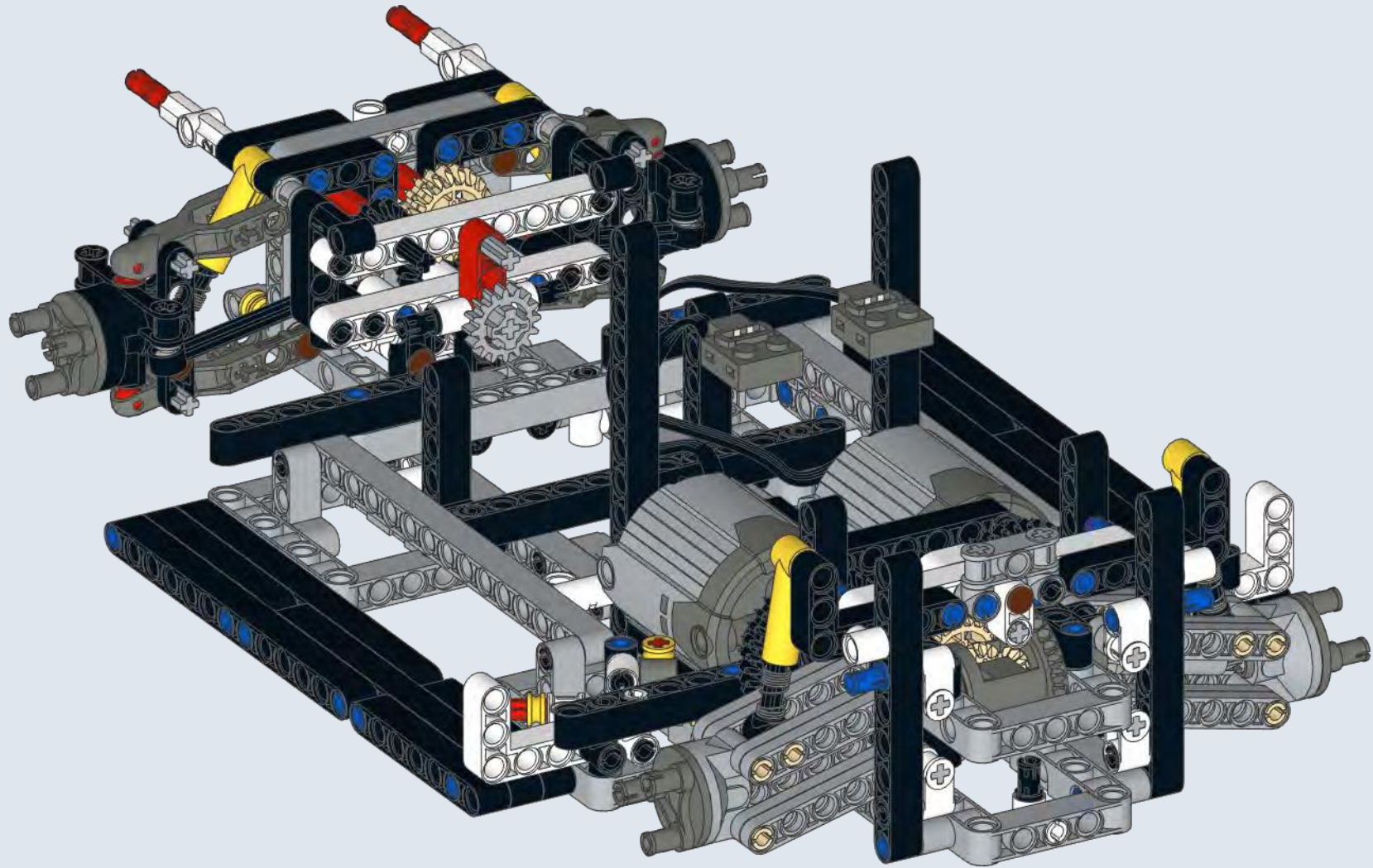
2x
5
1x 1x



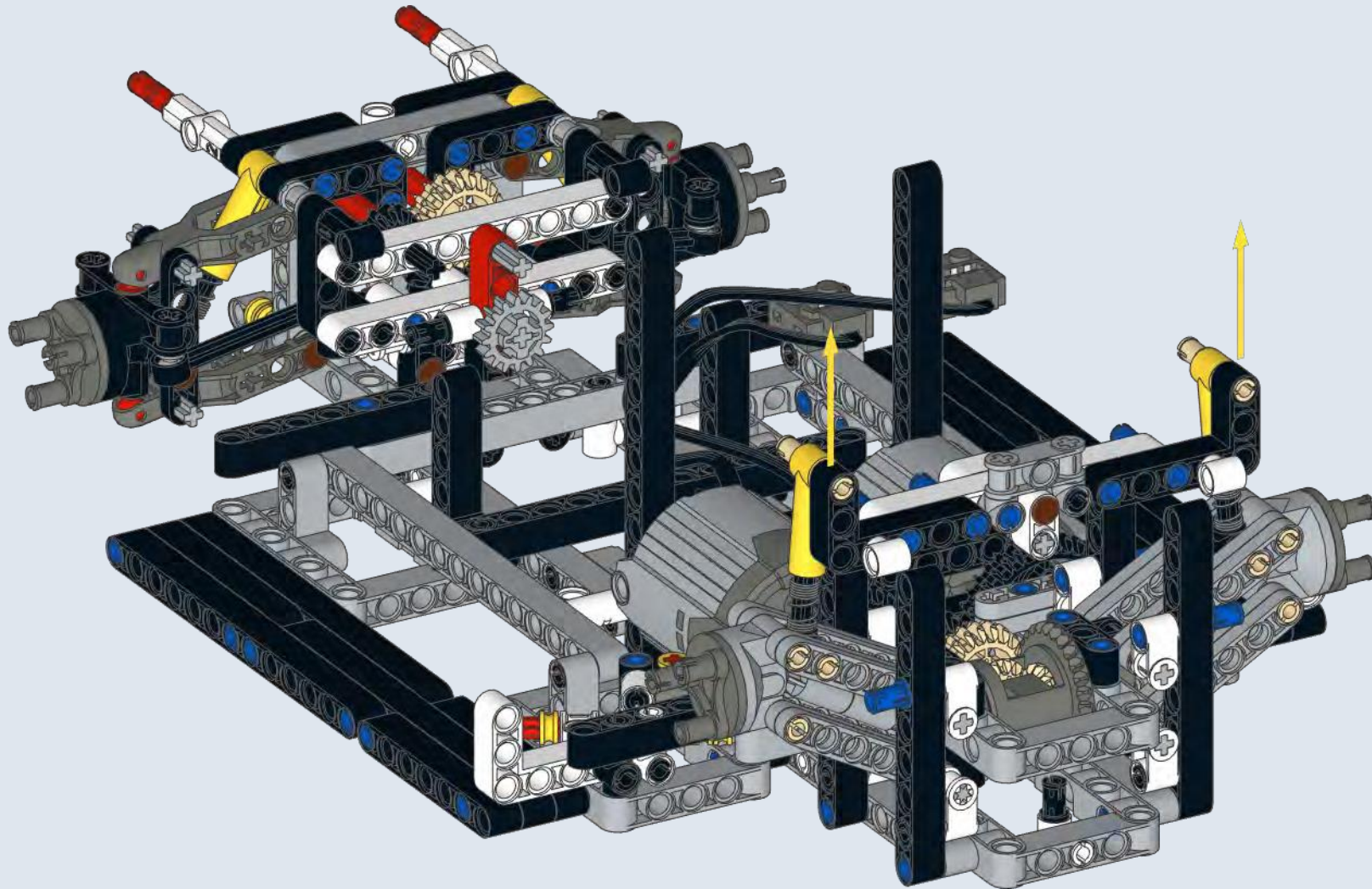
6

2x
1x



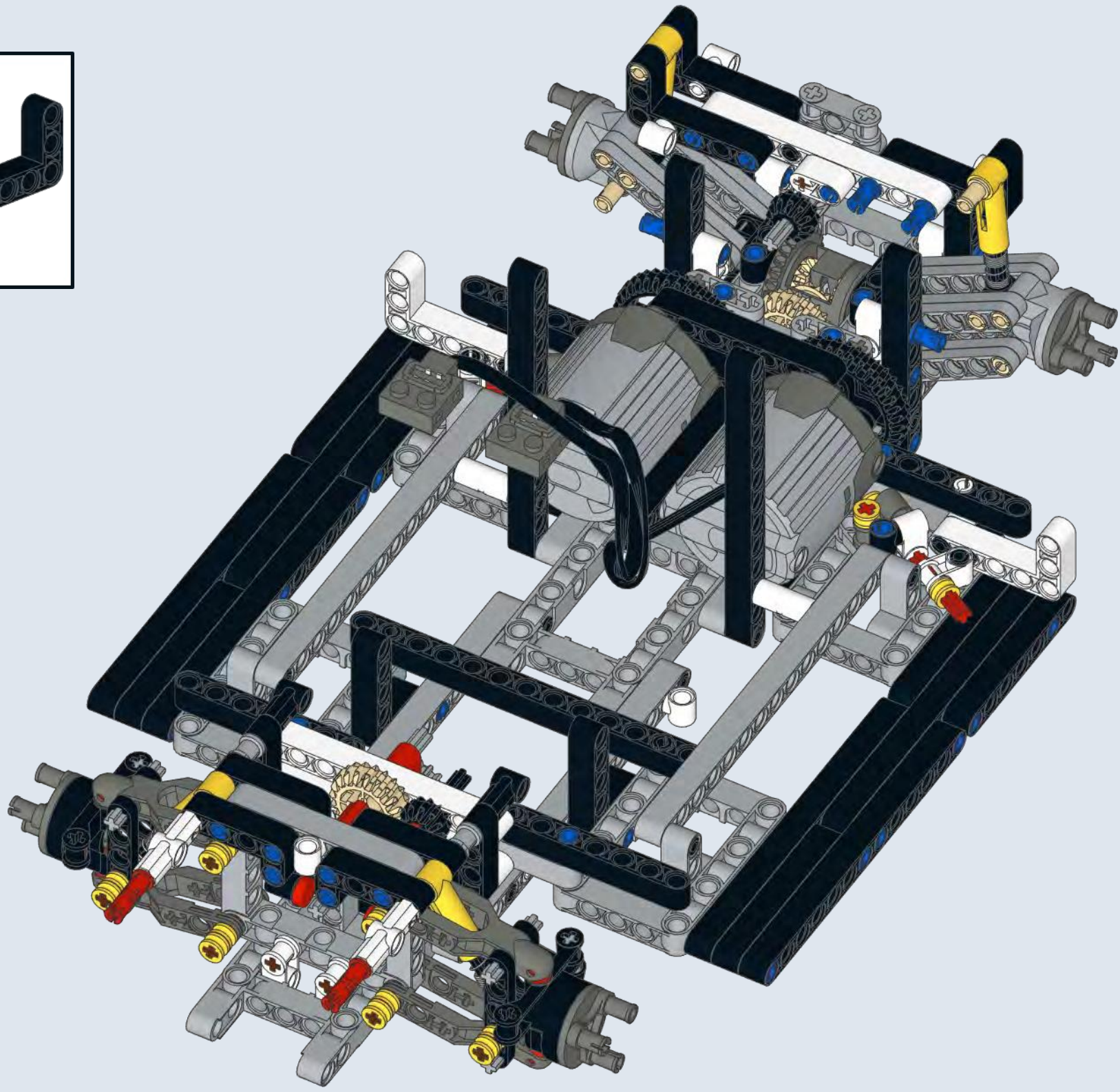
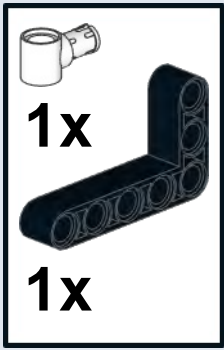


89



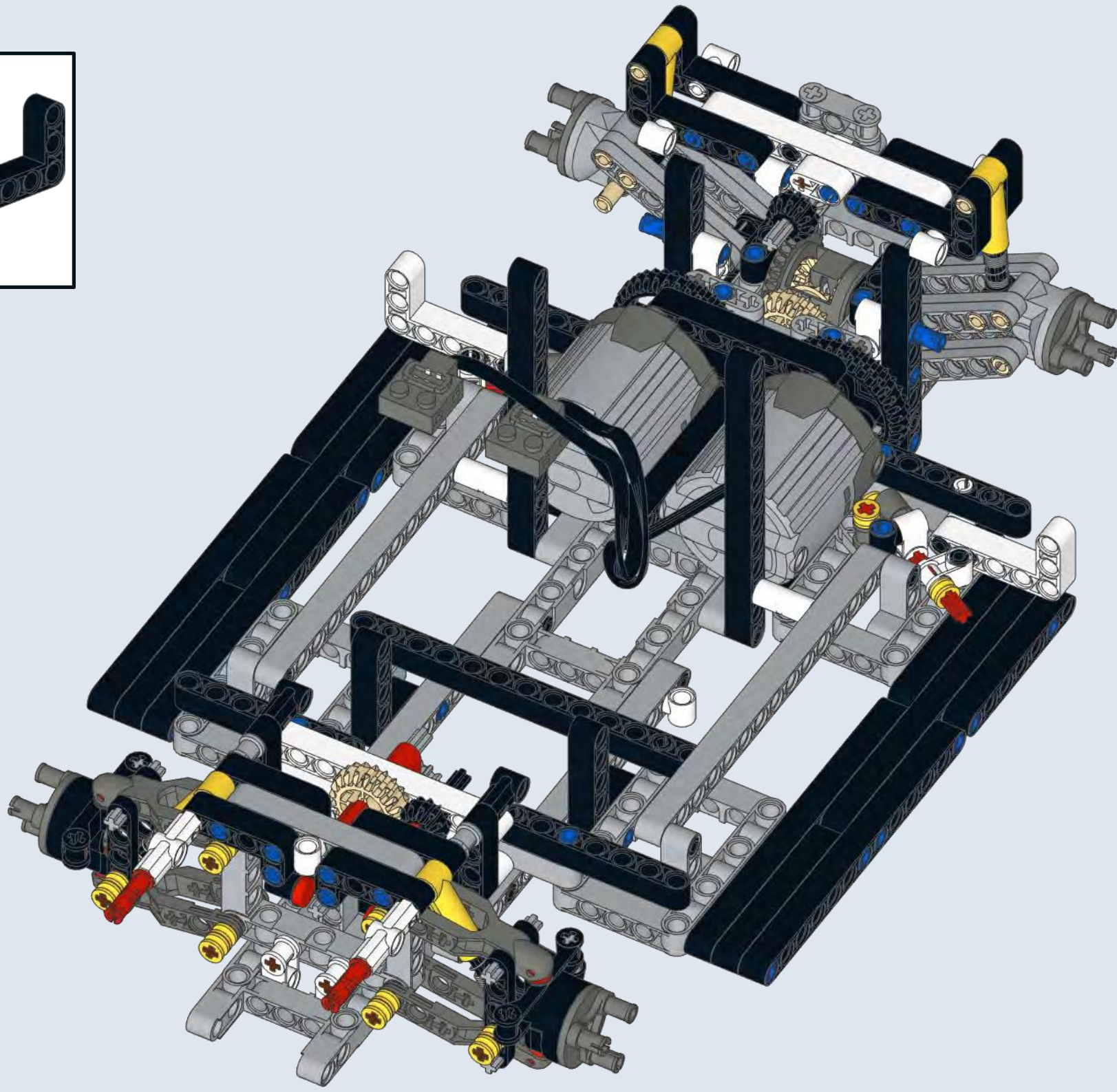
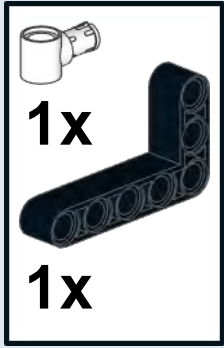


90



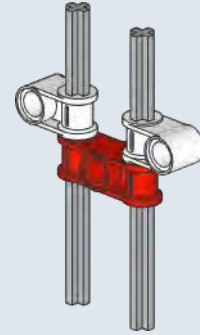
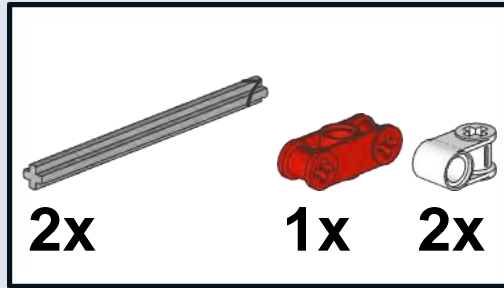


91

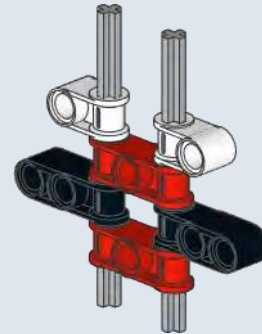




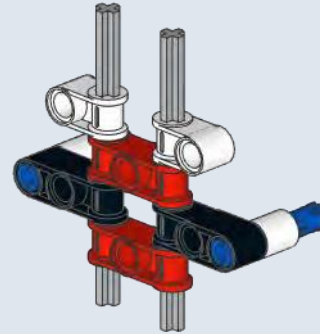
1



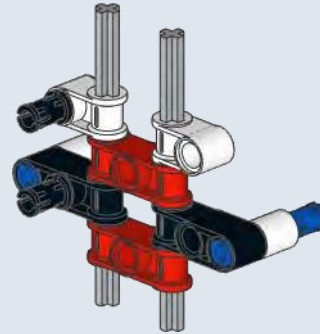
2

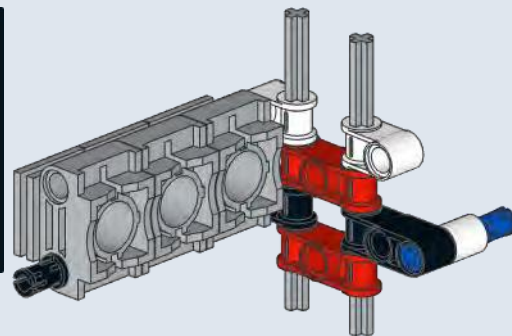
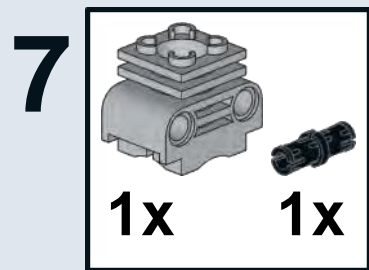
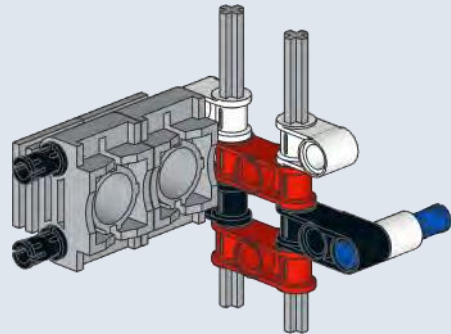
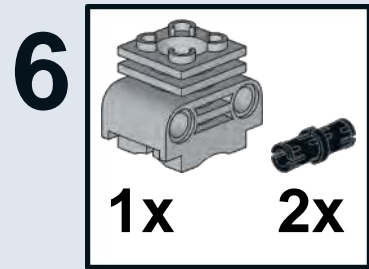
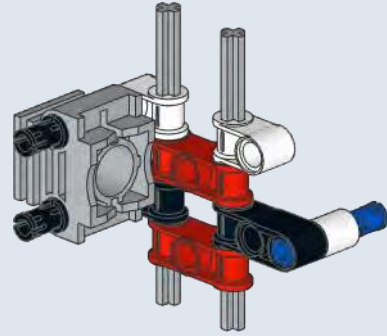
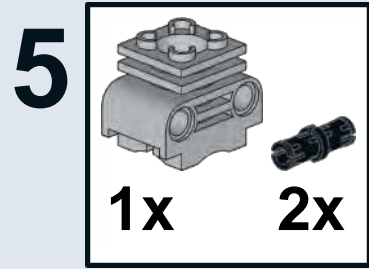


3




4



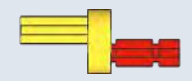




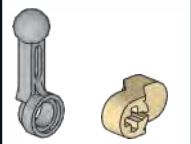
1



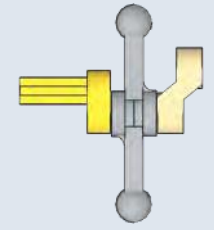
1x 1x



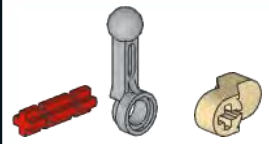
2



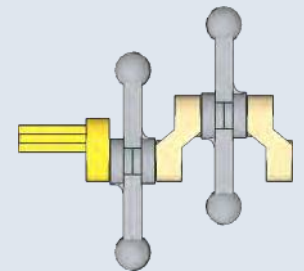
2x 1x



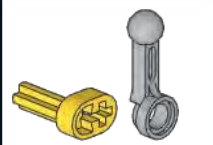
3



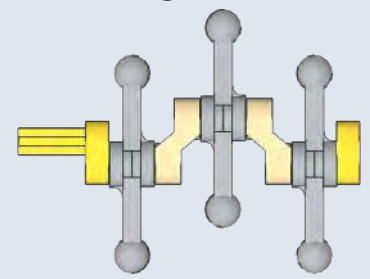
1x 2x 1x



4



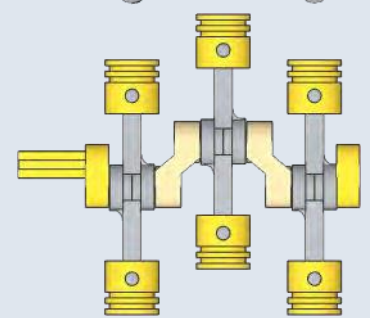
1x 2x



5

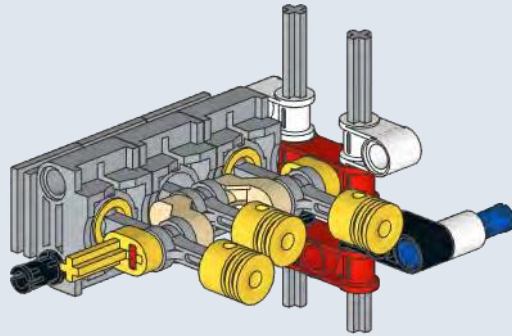


6x

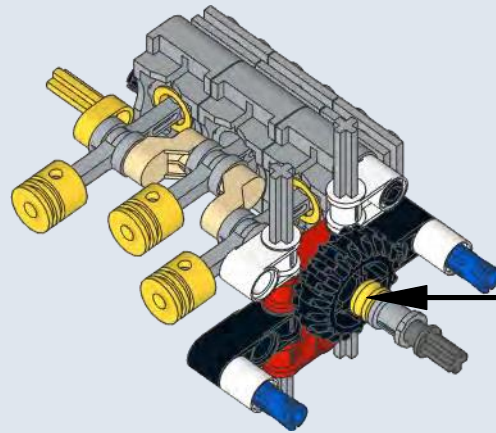




8



9



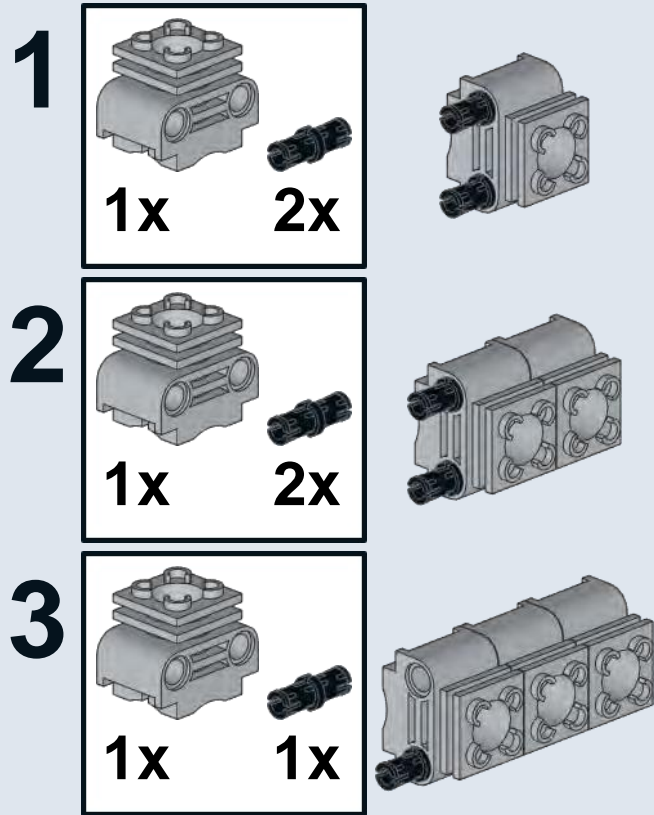
1

1x 1x

2

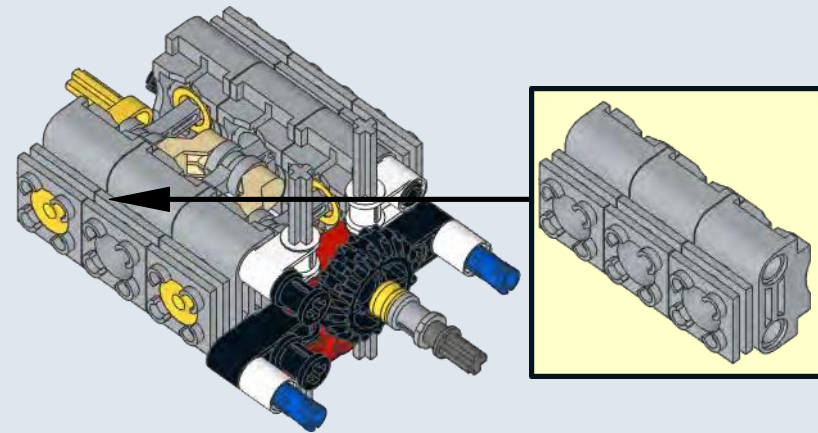
1x 1x

The parts list box is a yellow rectangle with a black border. It contains two numbered sections. Section 1 shows a grey axle with a small grey bush, with '1x' written below each. Section 2 shows a black gear and a yellow bush, with '1x' written below each. Below section 2 is an image of the black gear mounted on the grey axle, representing the assembled part.



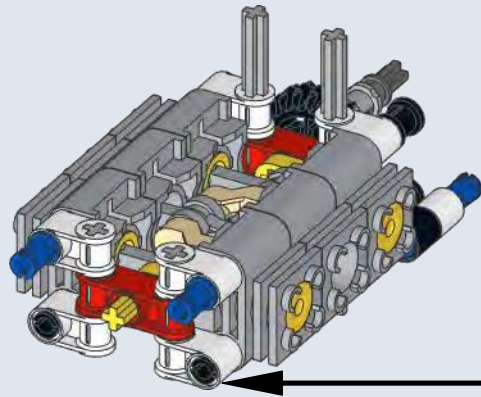


10





1



1

1x 2x 3

2

4x

3

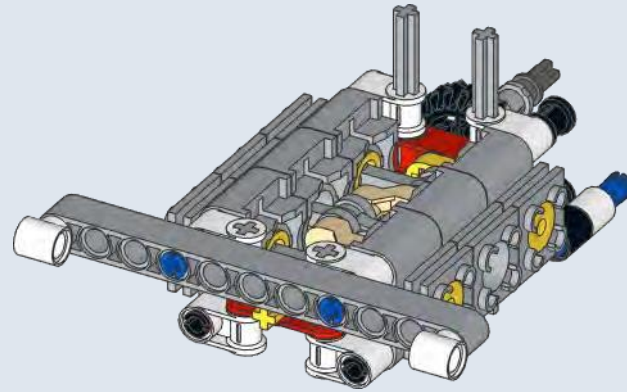
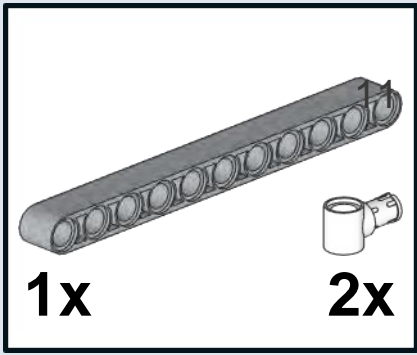
2x

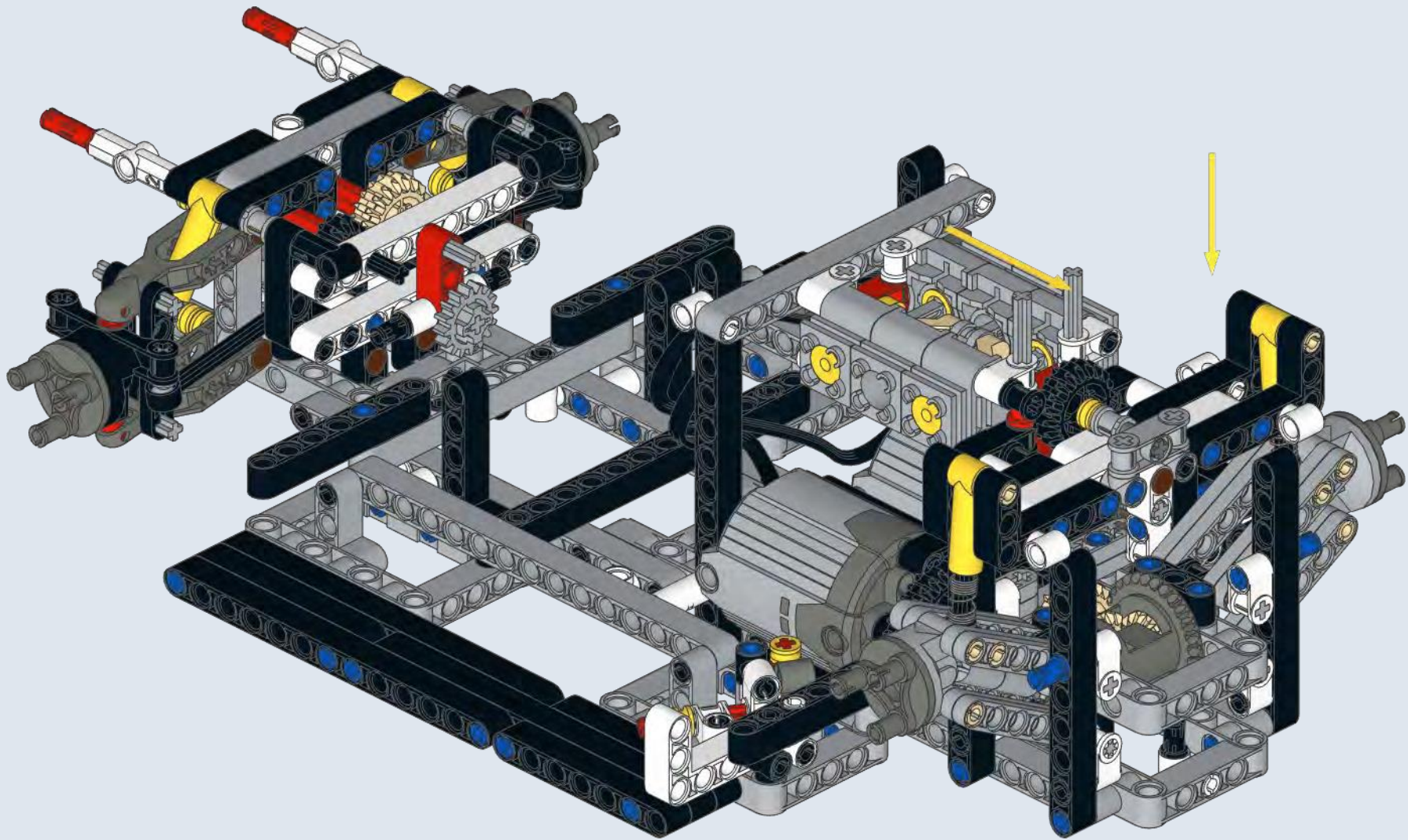
Assembly steps:

1. Assemble the red connector with two grey axles (2x) and three grey axles (3x).
2. Attach four grey connectors (4x) to the assembly.
3. Attach two blue connectors (2x) to the assembly.

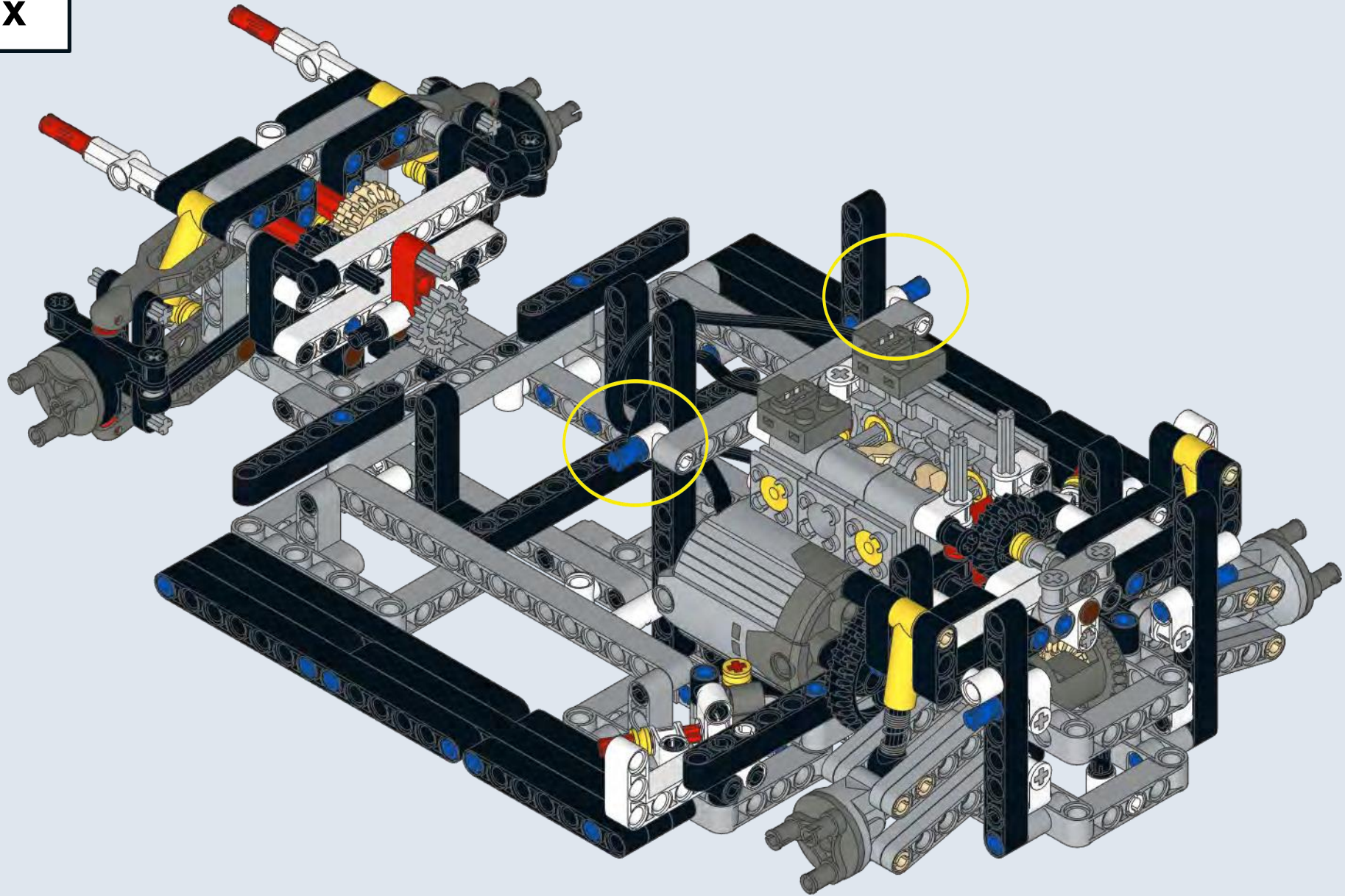


12



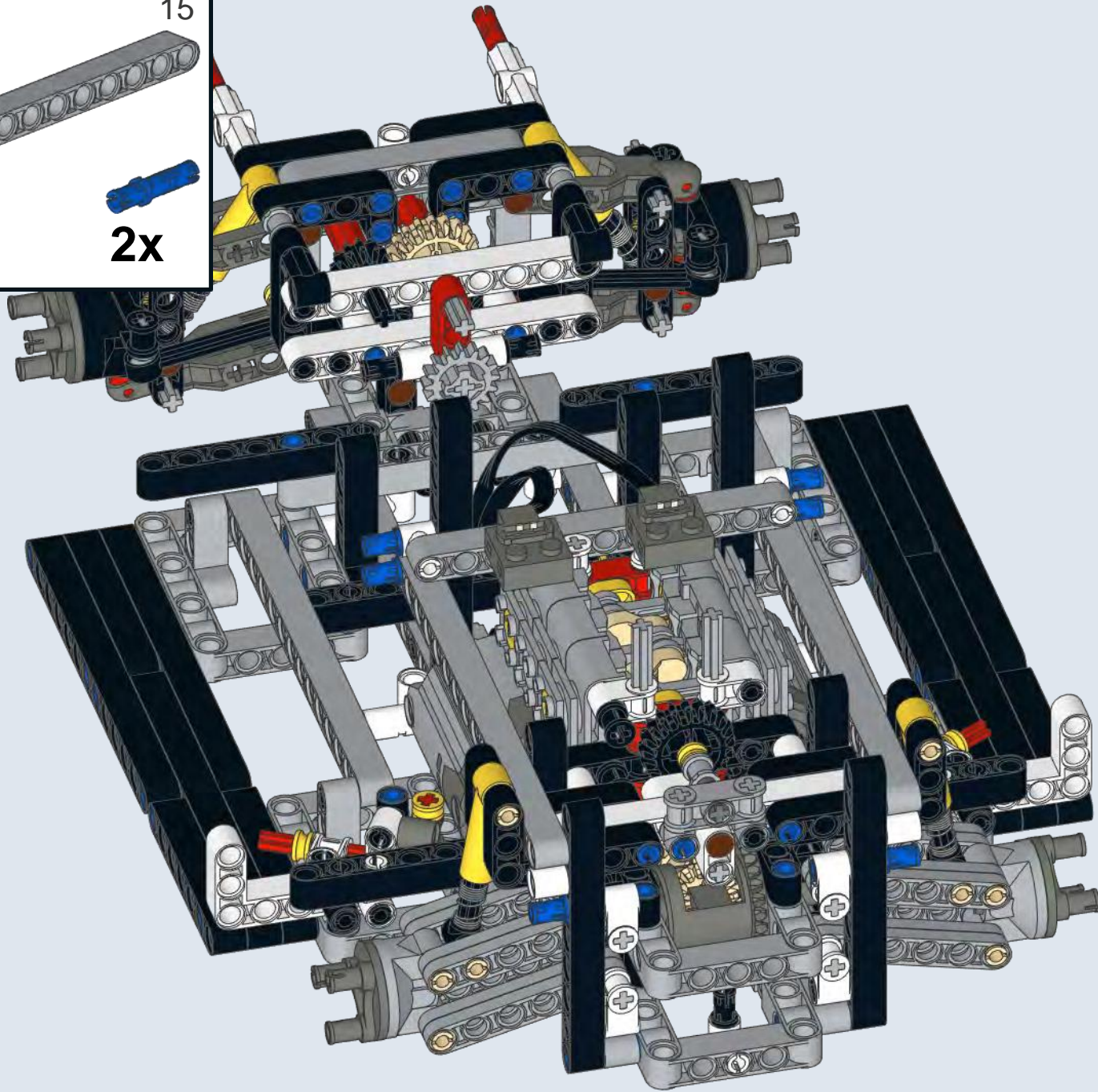
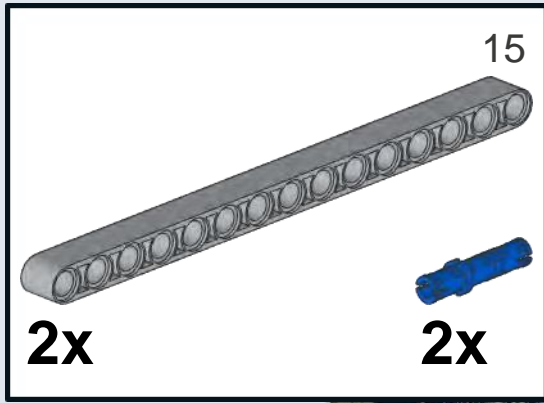


93

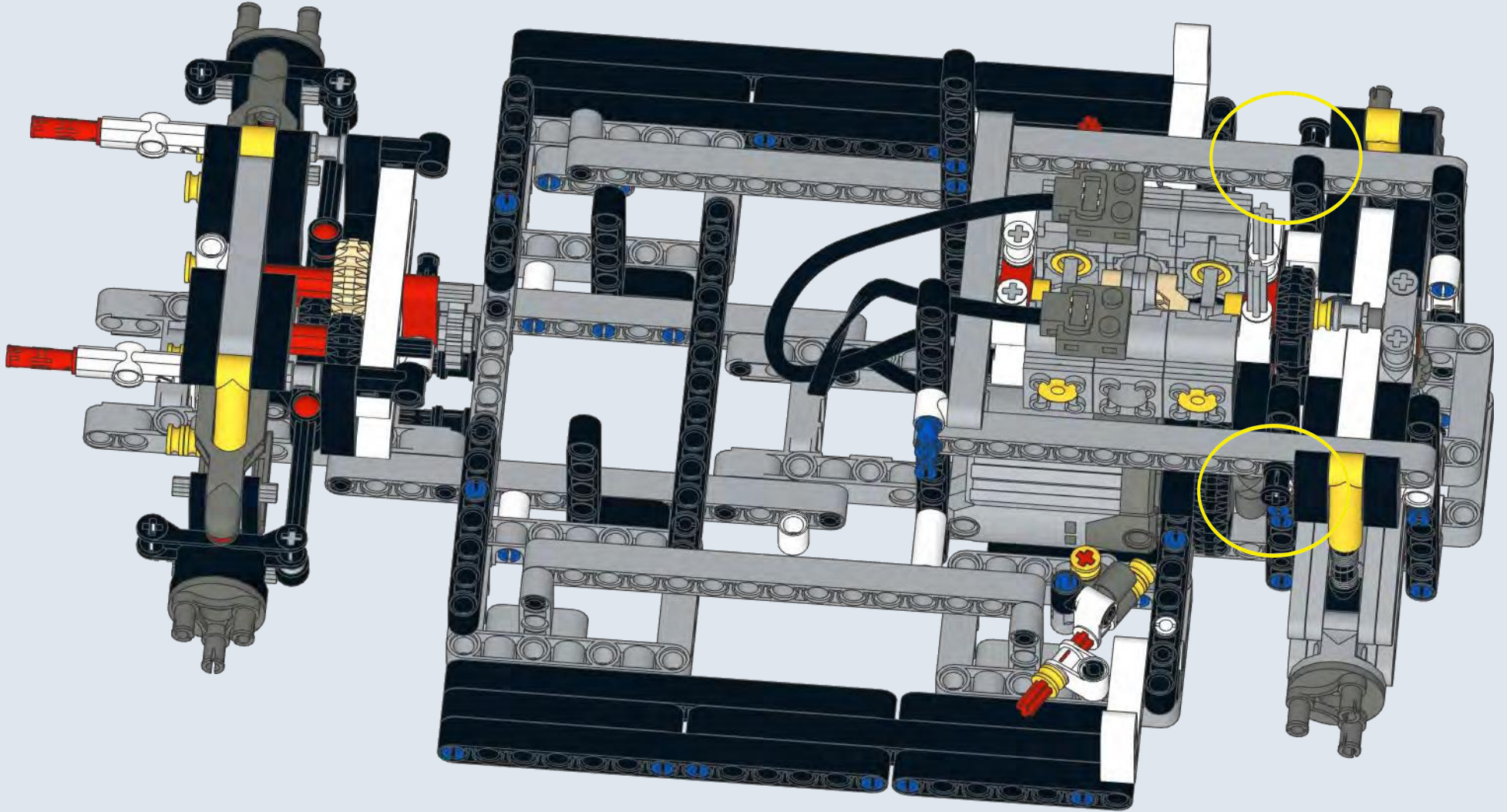




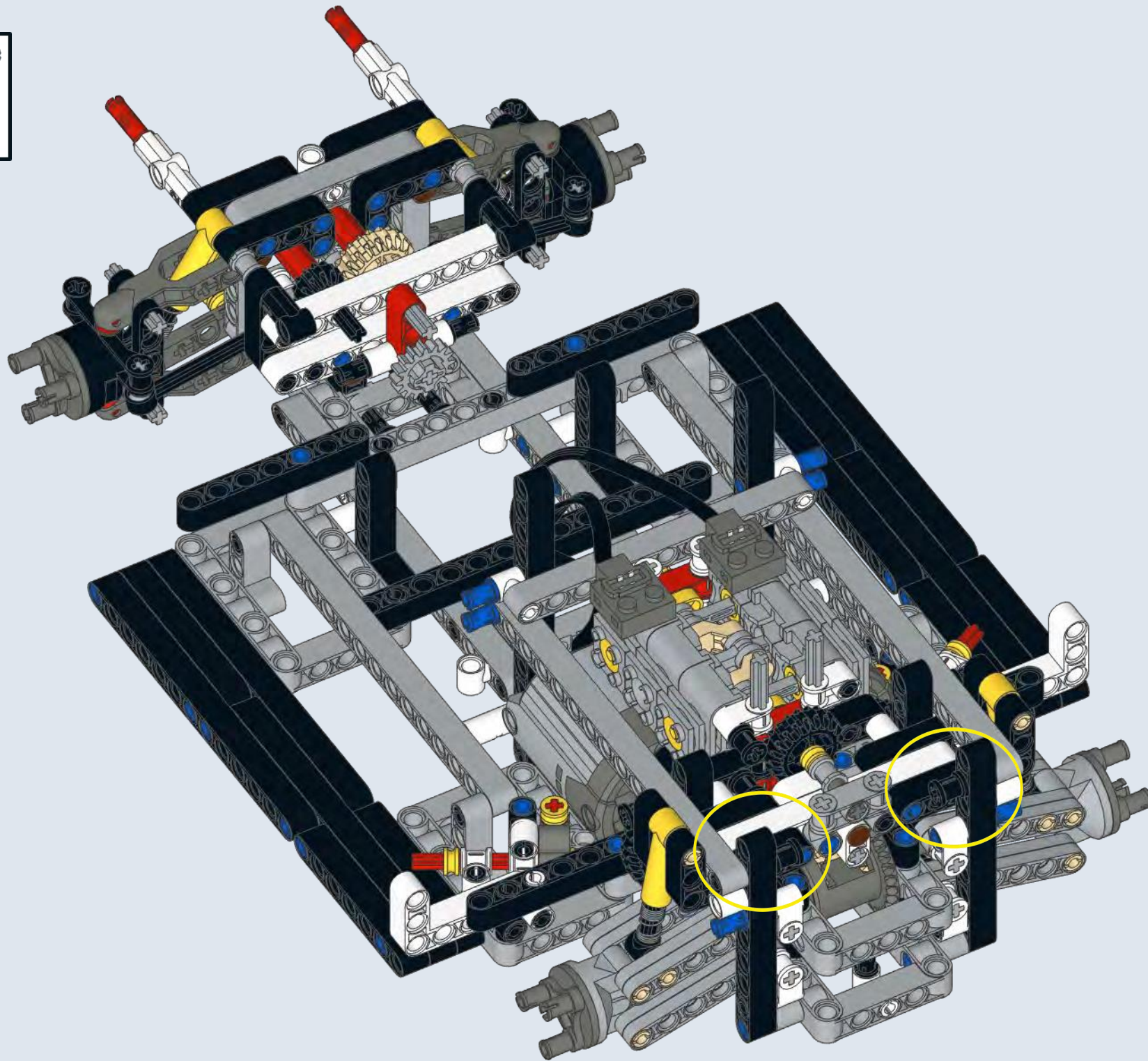
94



95

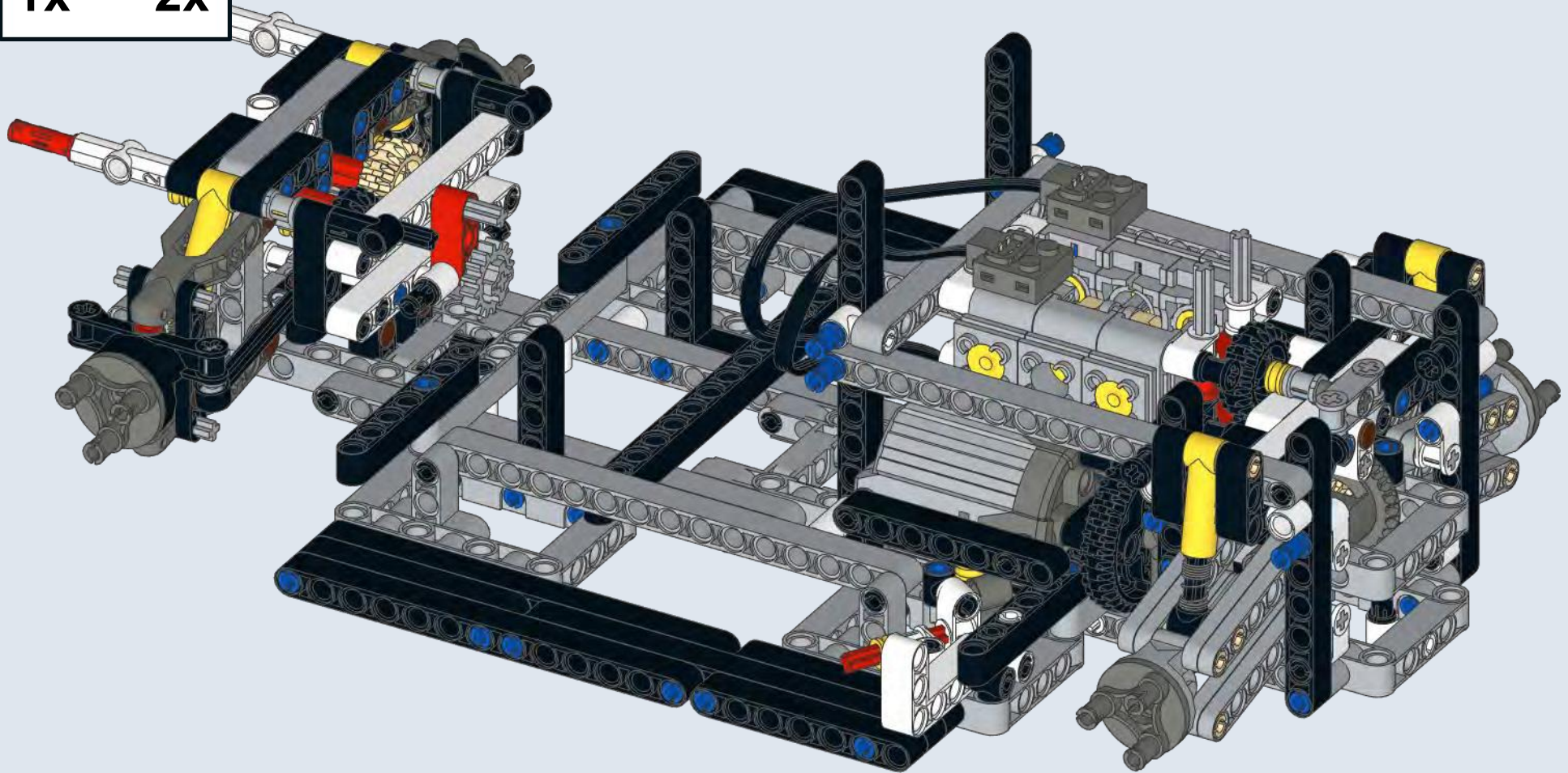


96

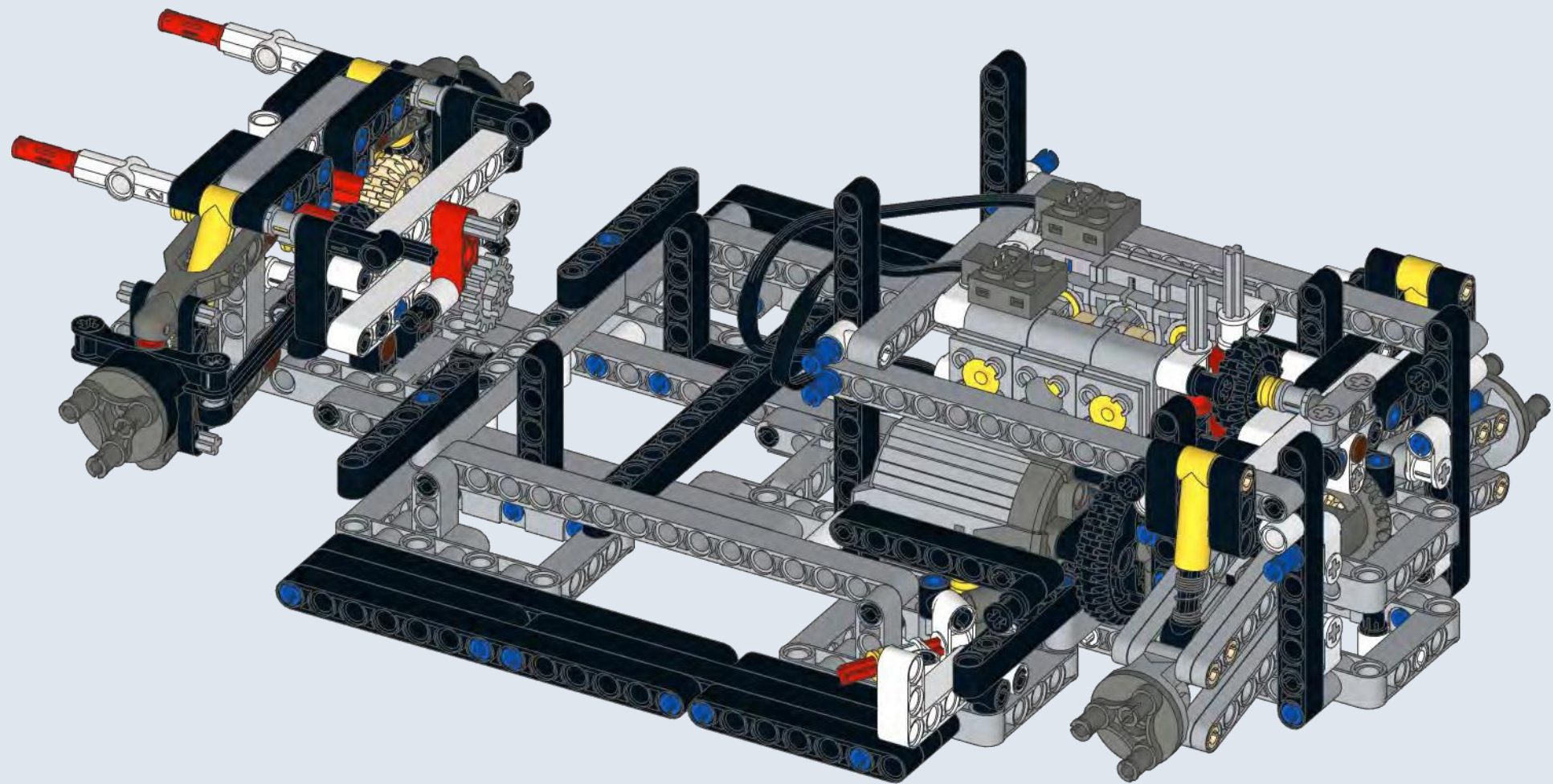




97



98

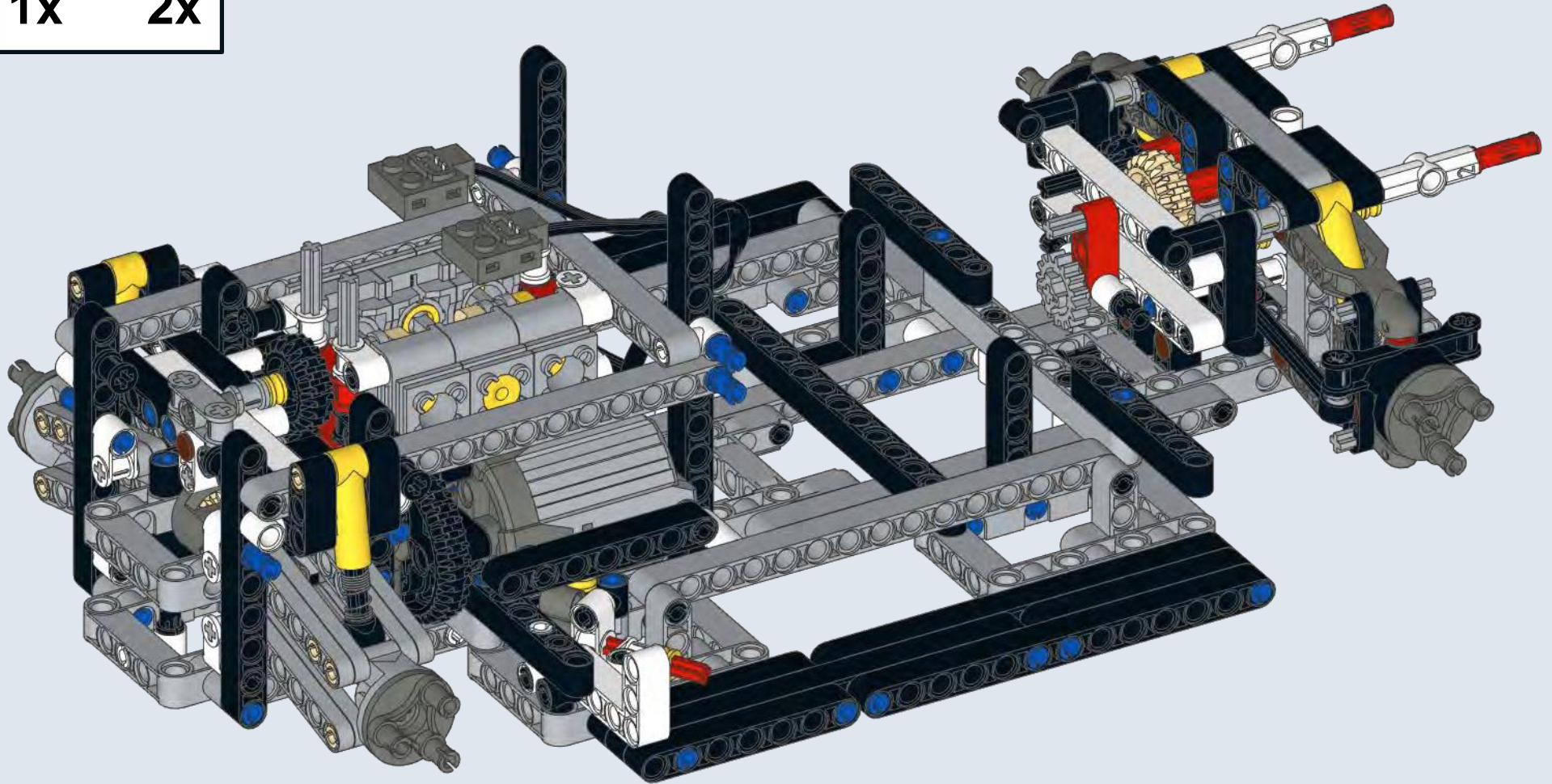




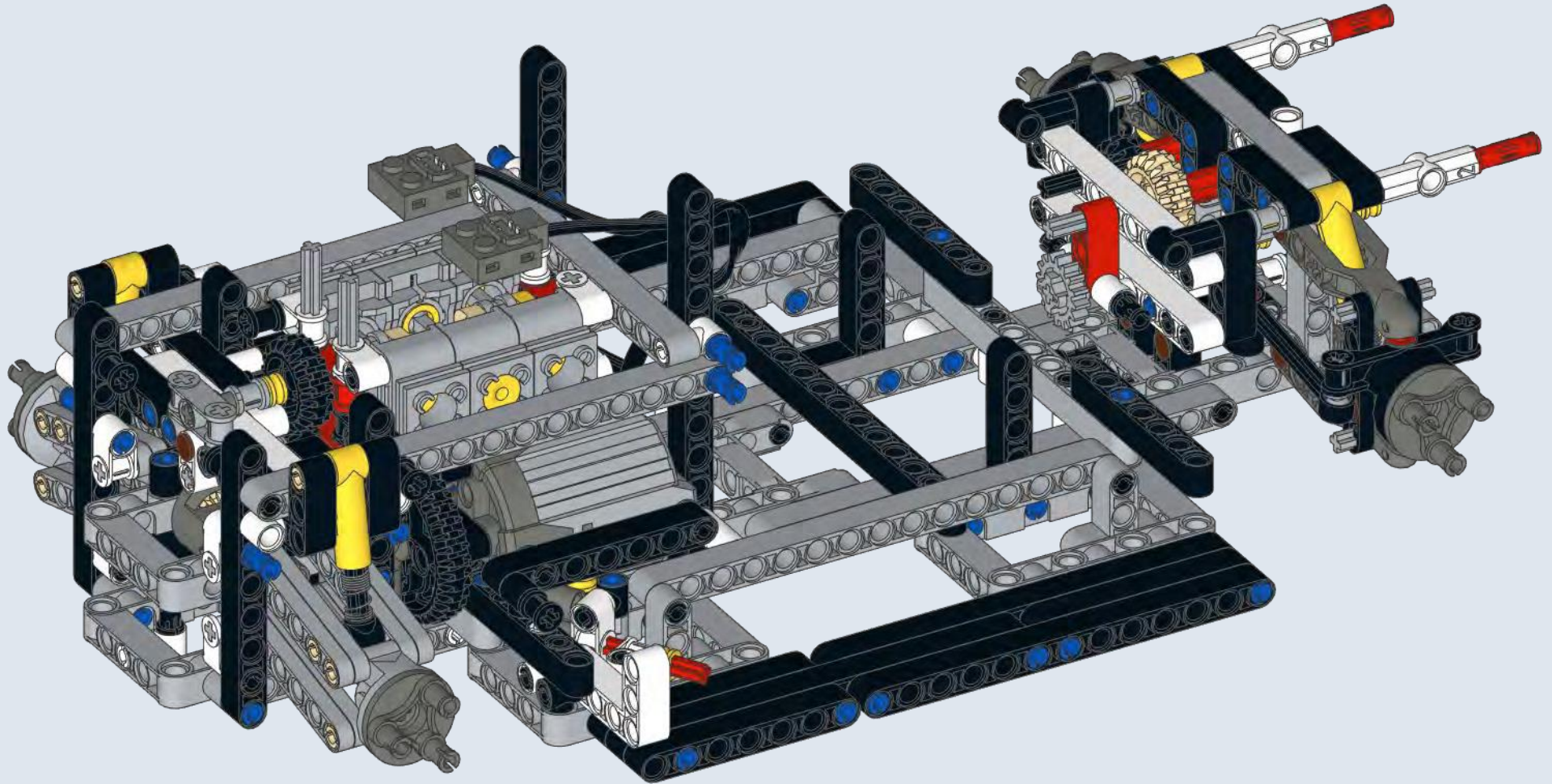
99

7

1x 2x

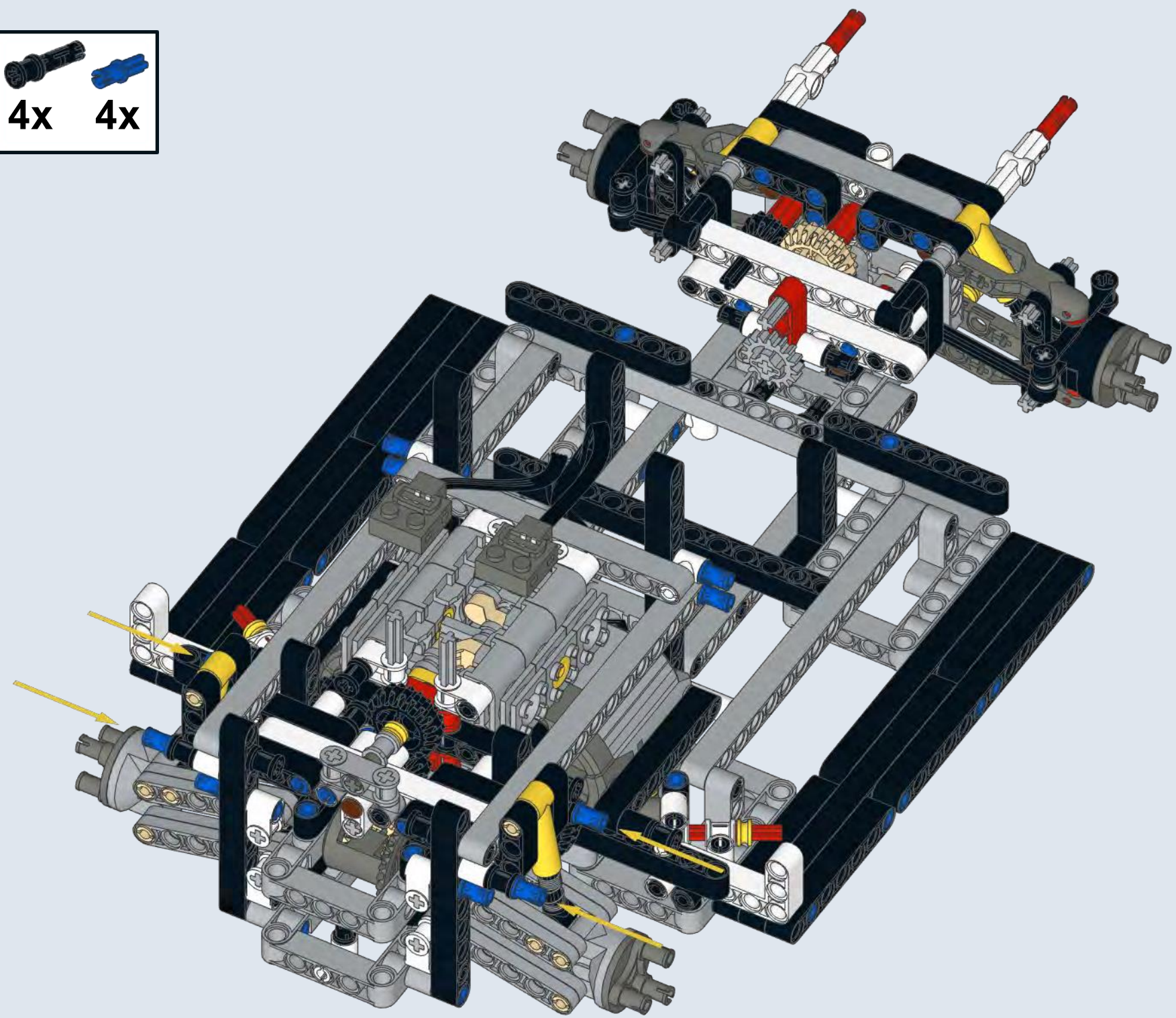


100

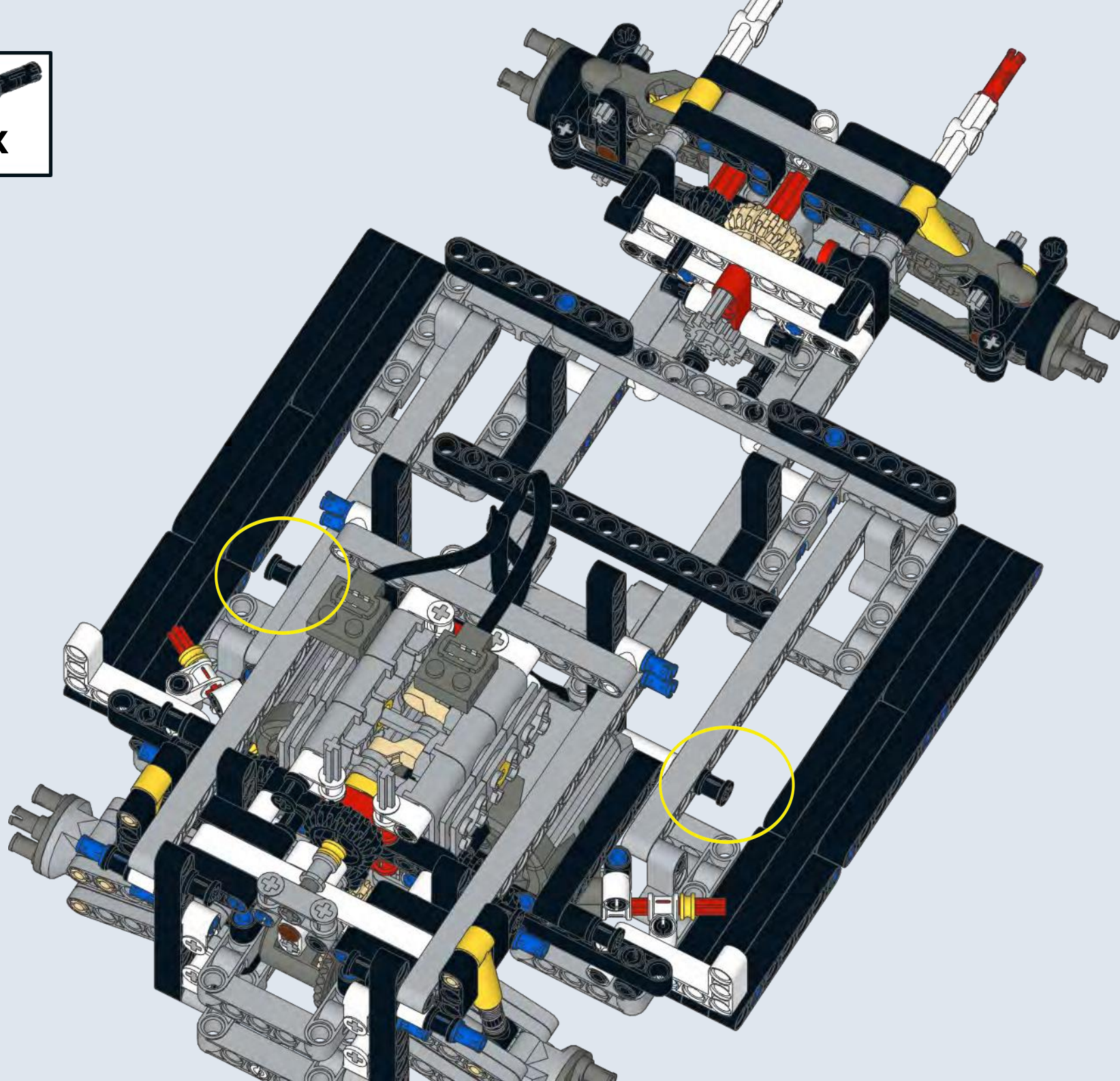


101

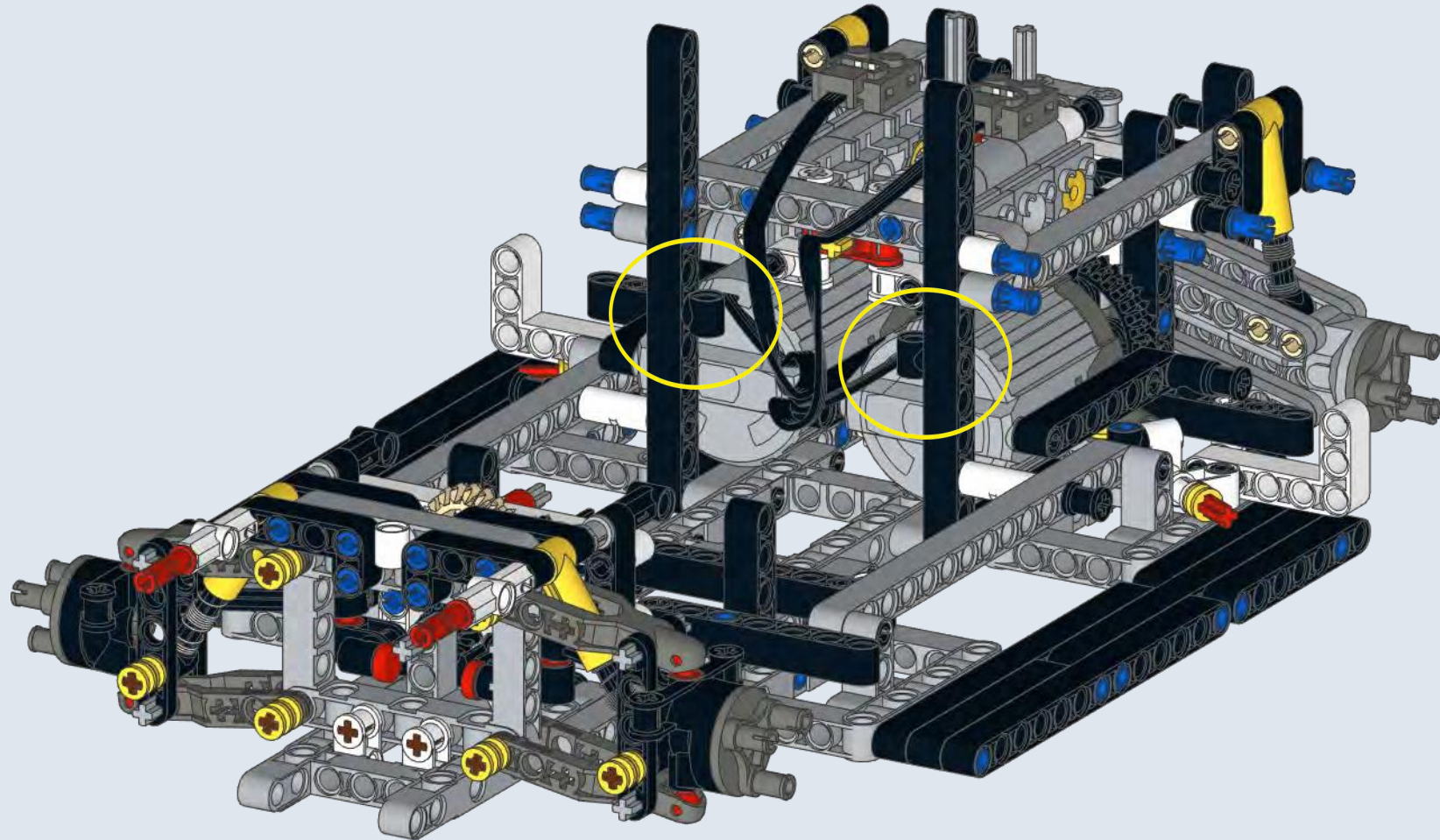
	
4x	4x



102



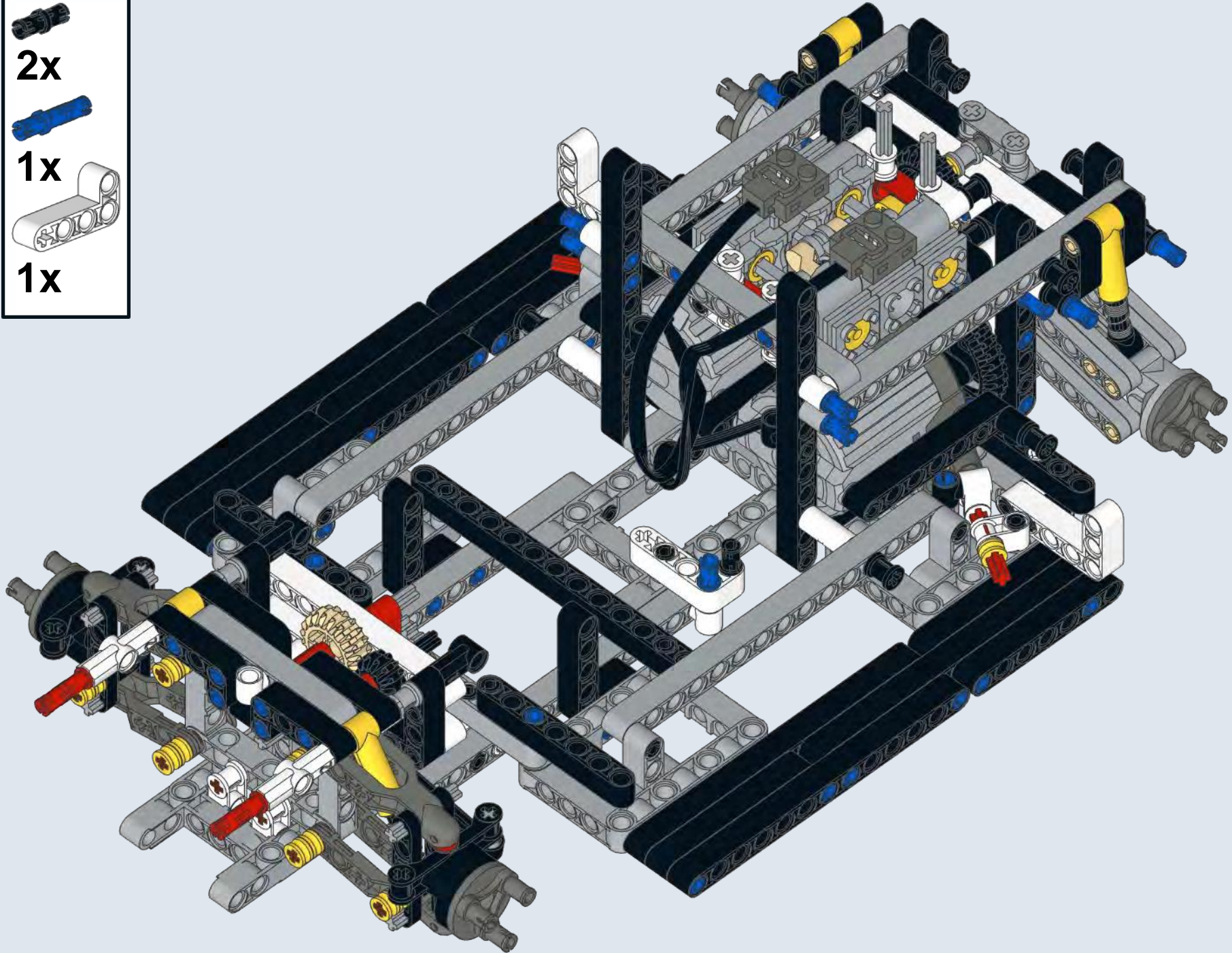
103



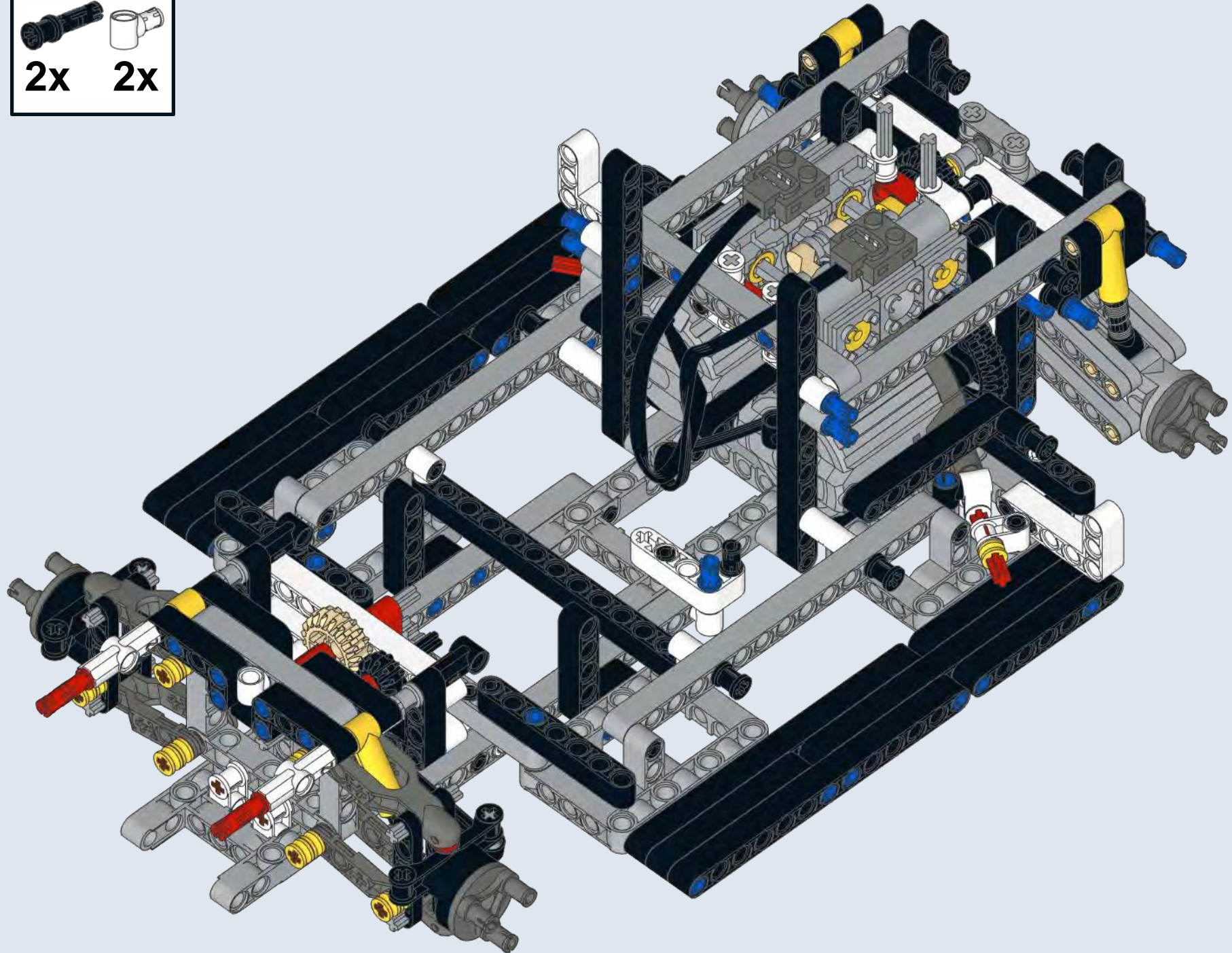
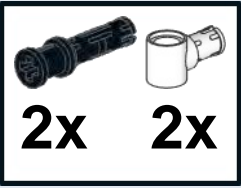


104

	2x
	1x
	1x
	1x

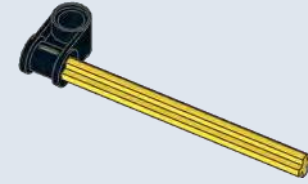


105

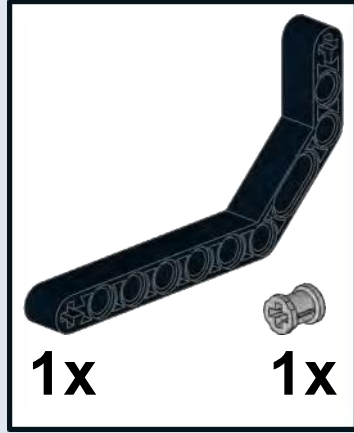




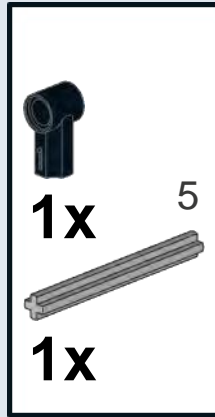
1



2



3





4



5

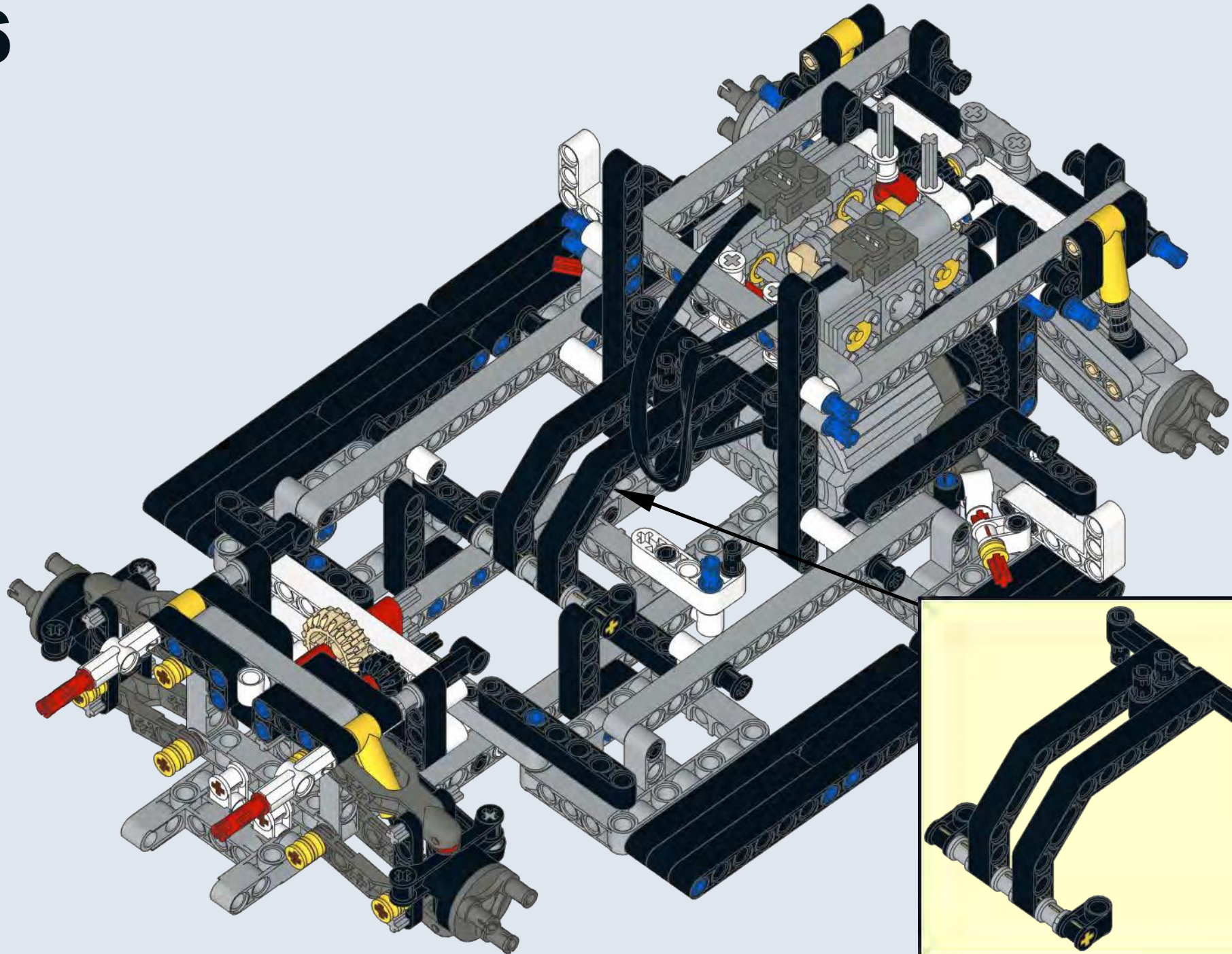




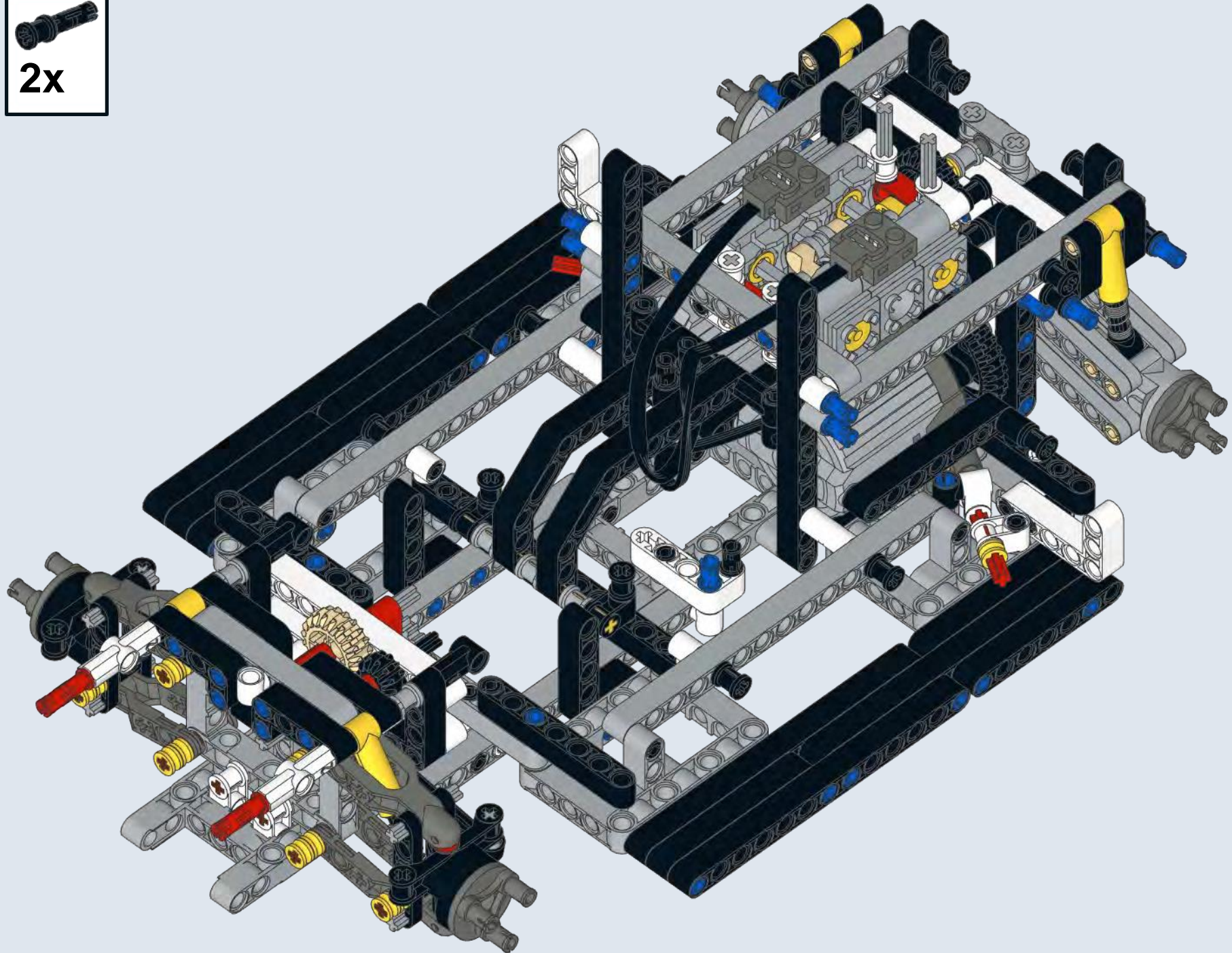
6

-  1x
-  1x
-  1x
-  4x

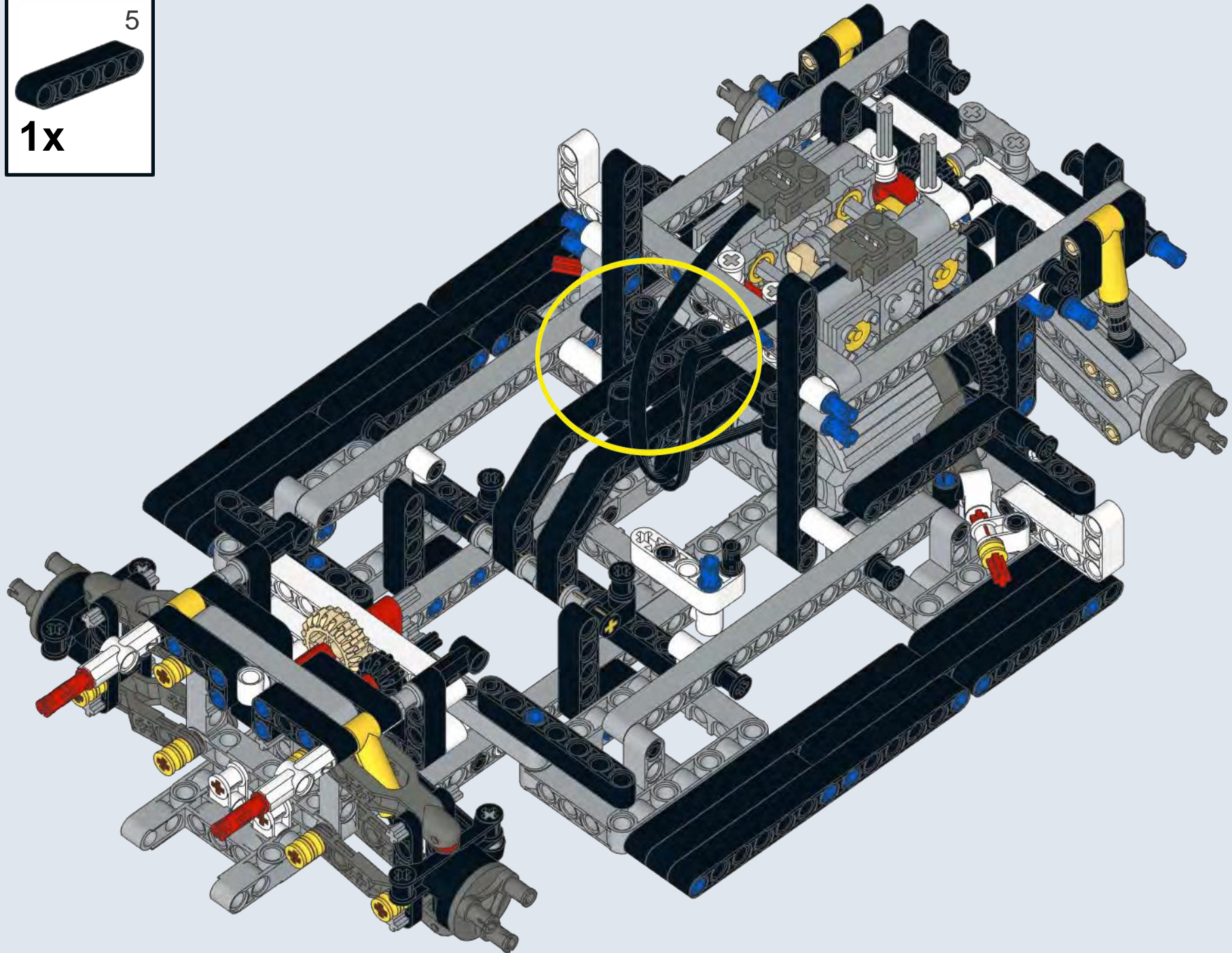




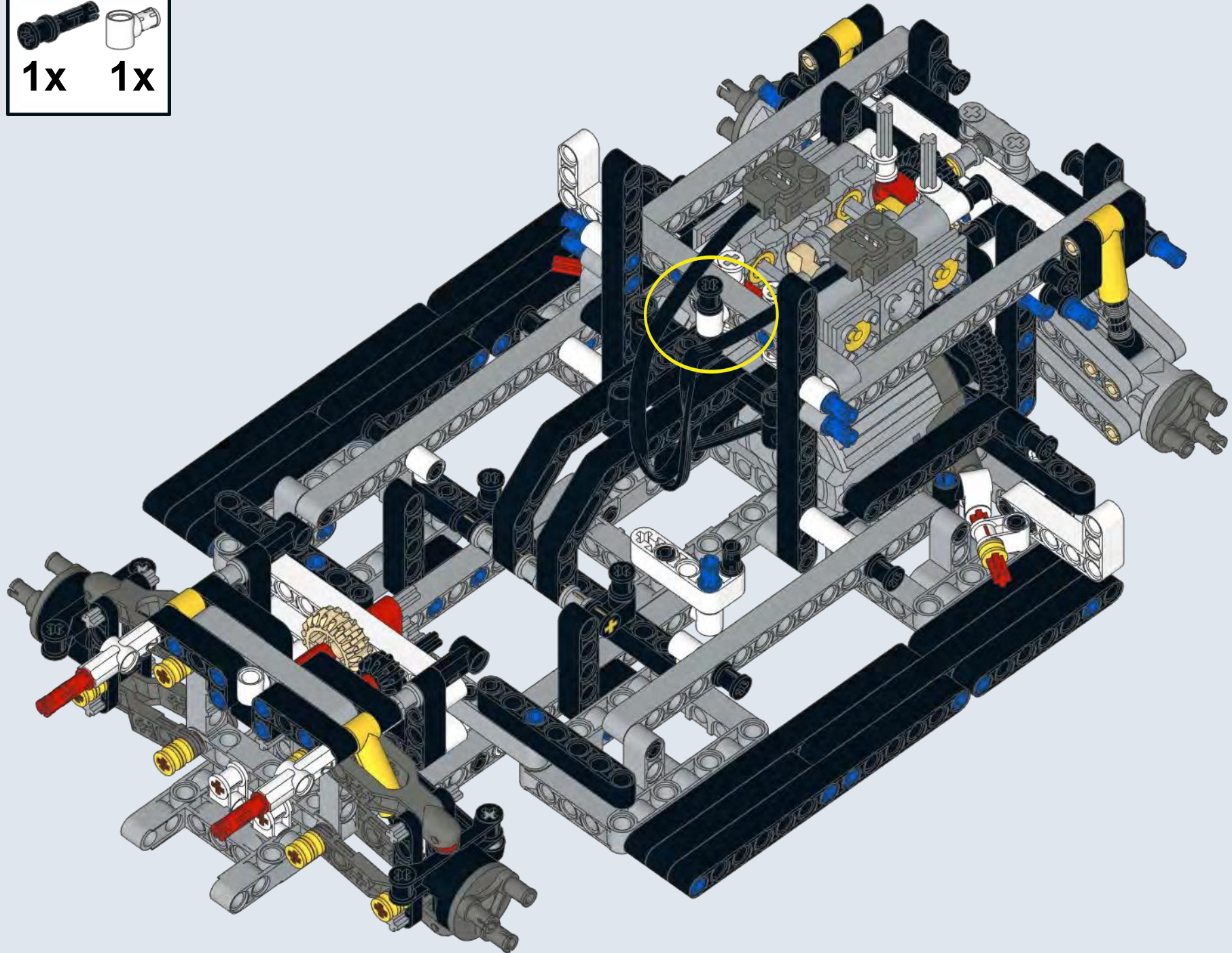
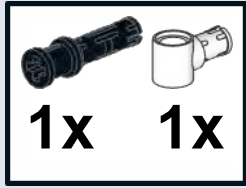
107



108

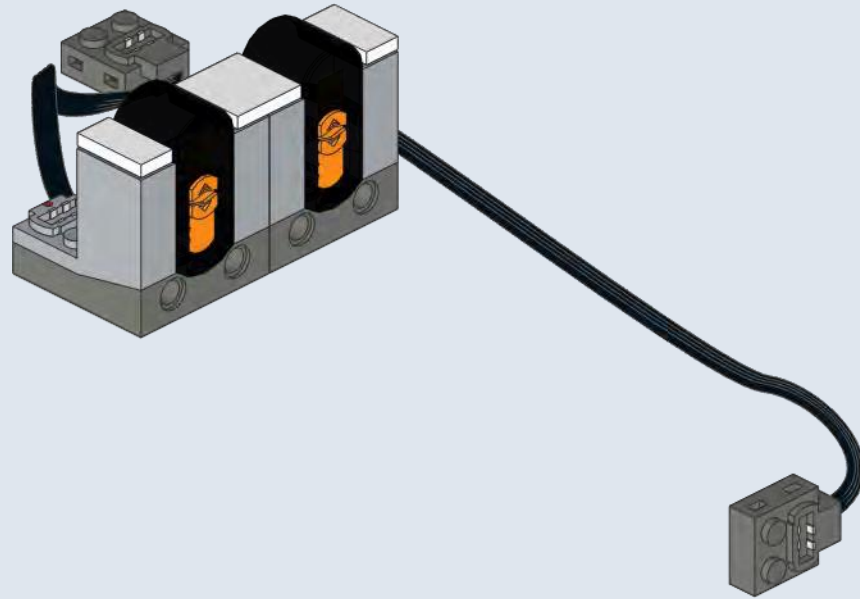
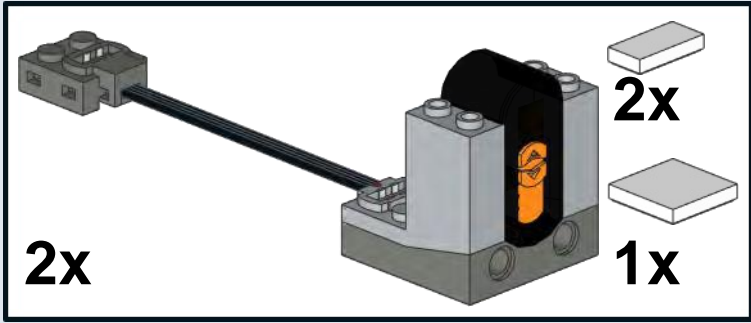


109



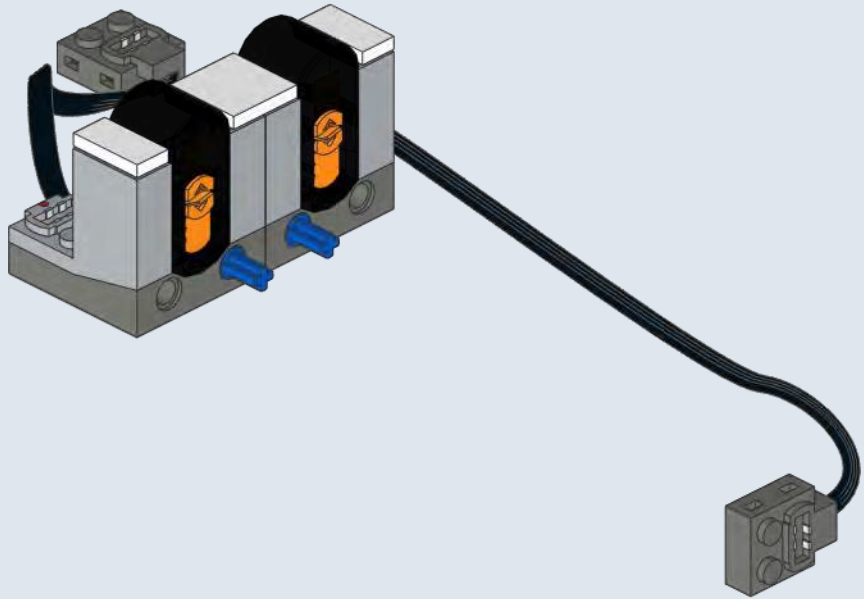


1

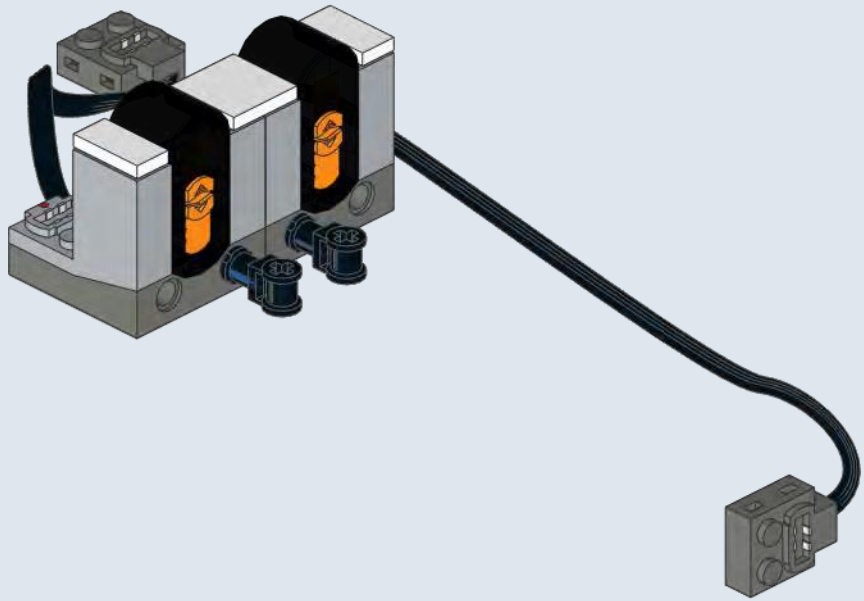


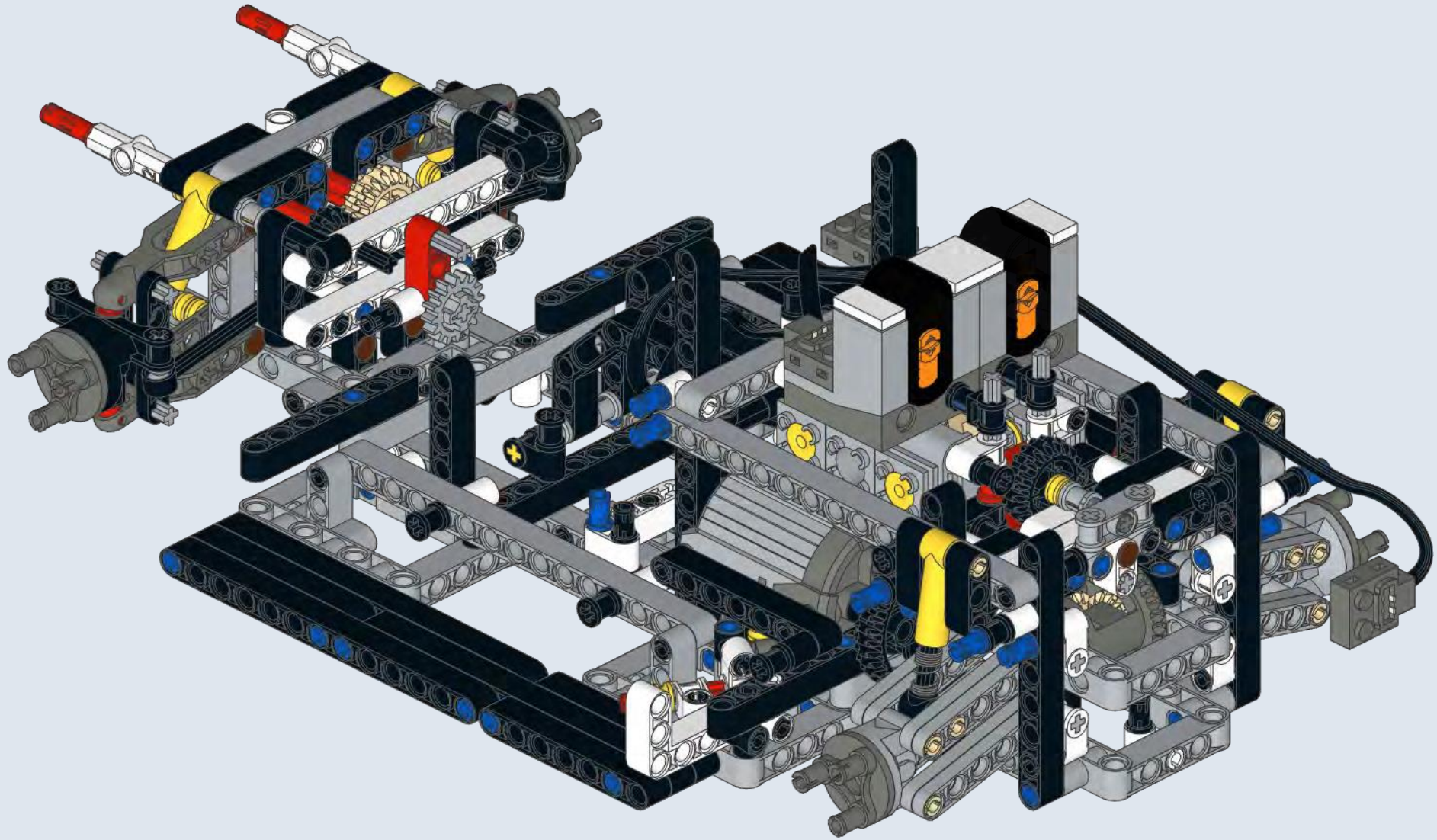


2
2x

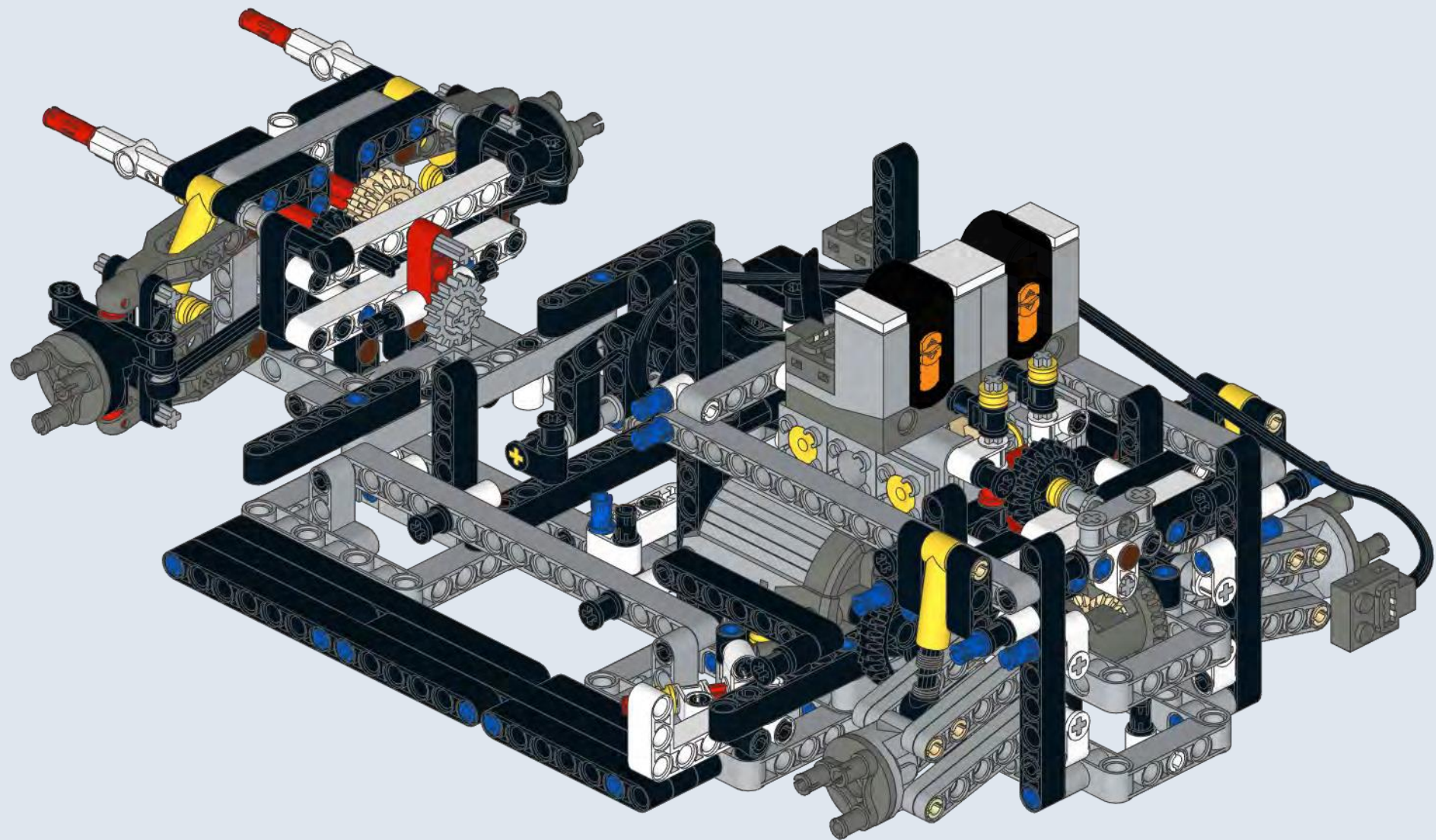


3
2x





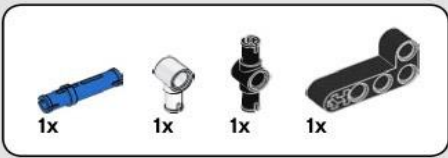
111



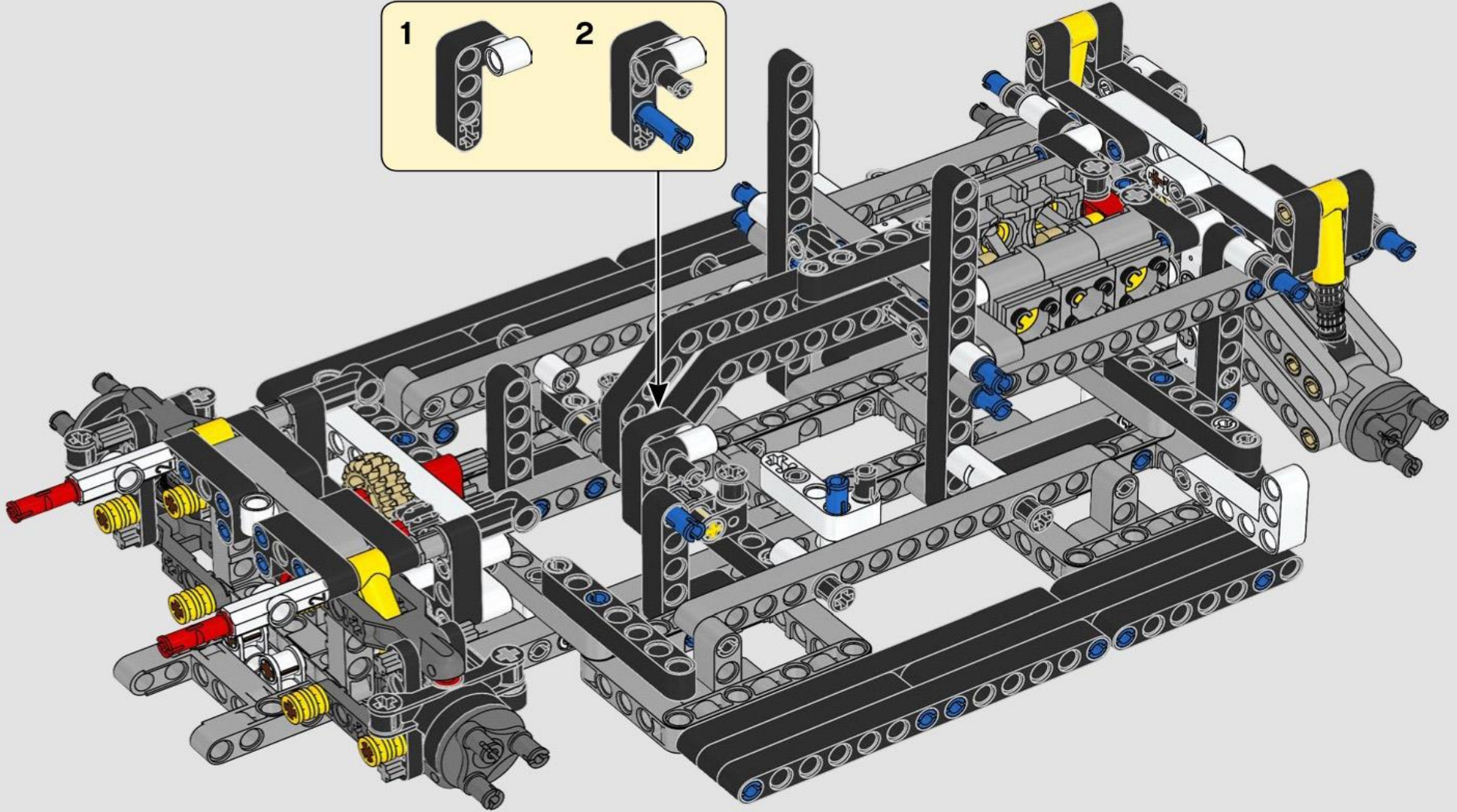
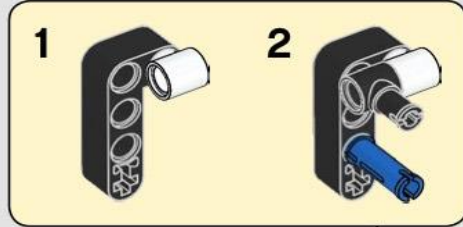


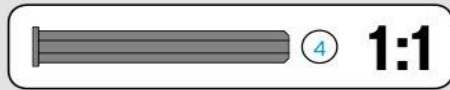
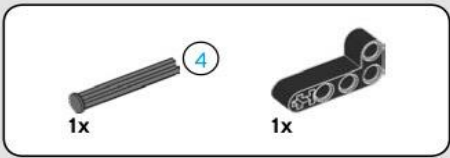
125-151

original steps

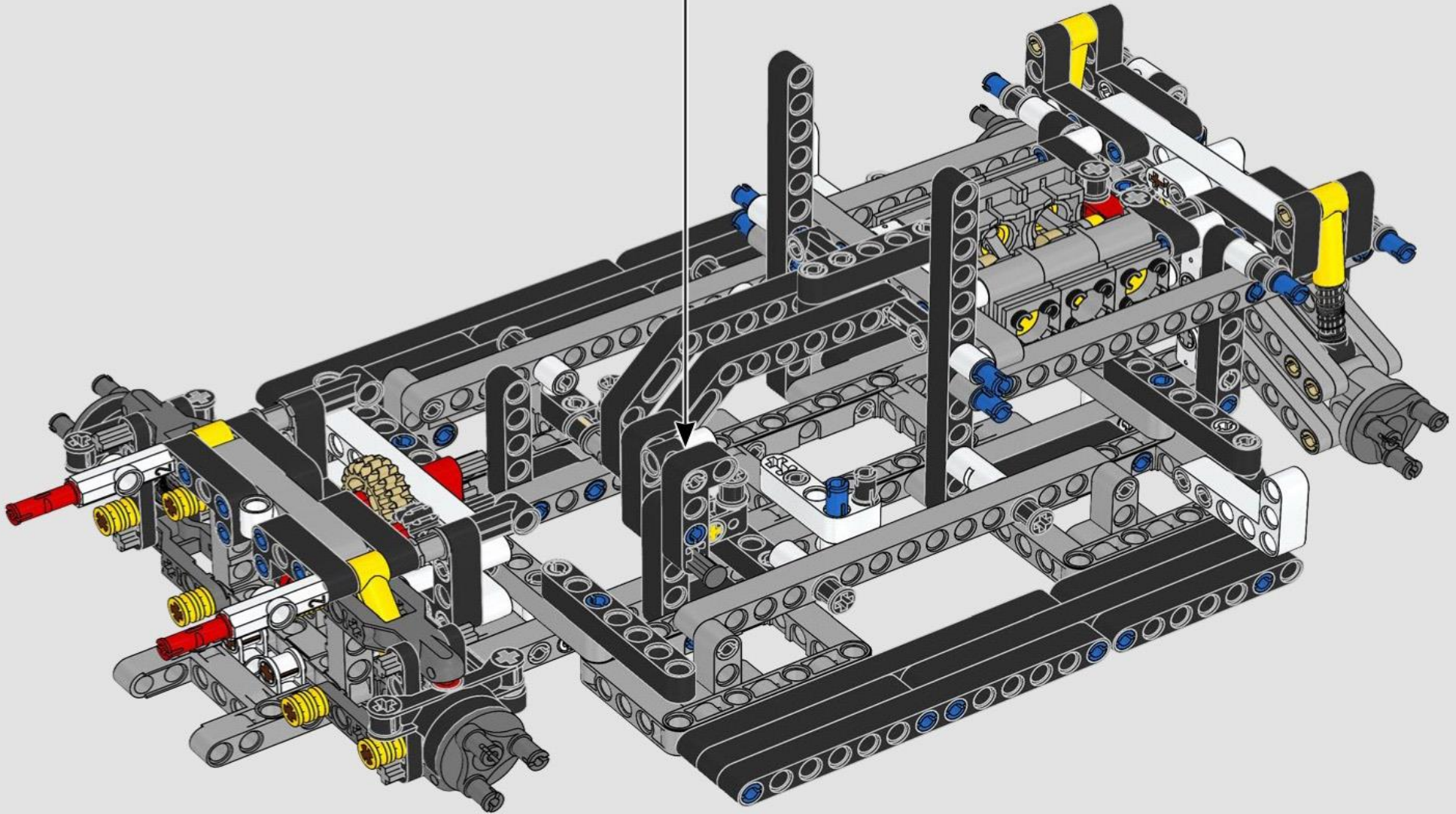
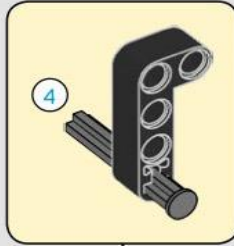


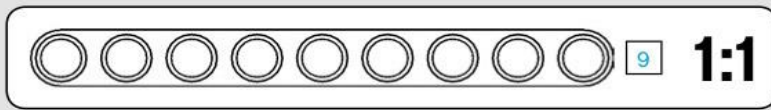
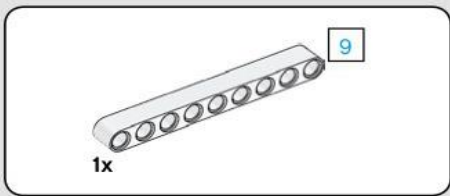
125



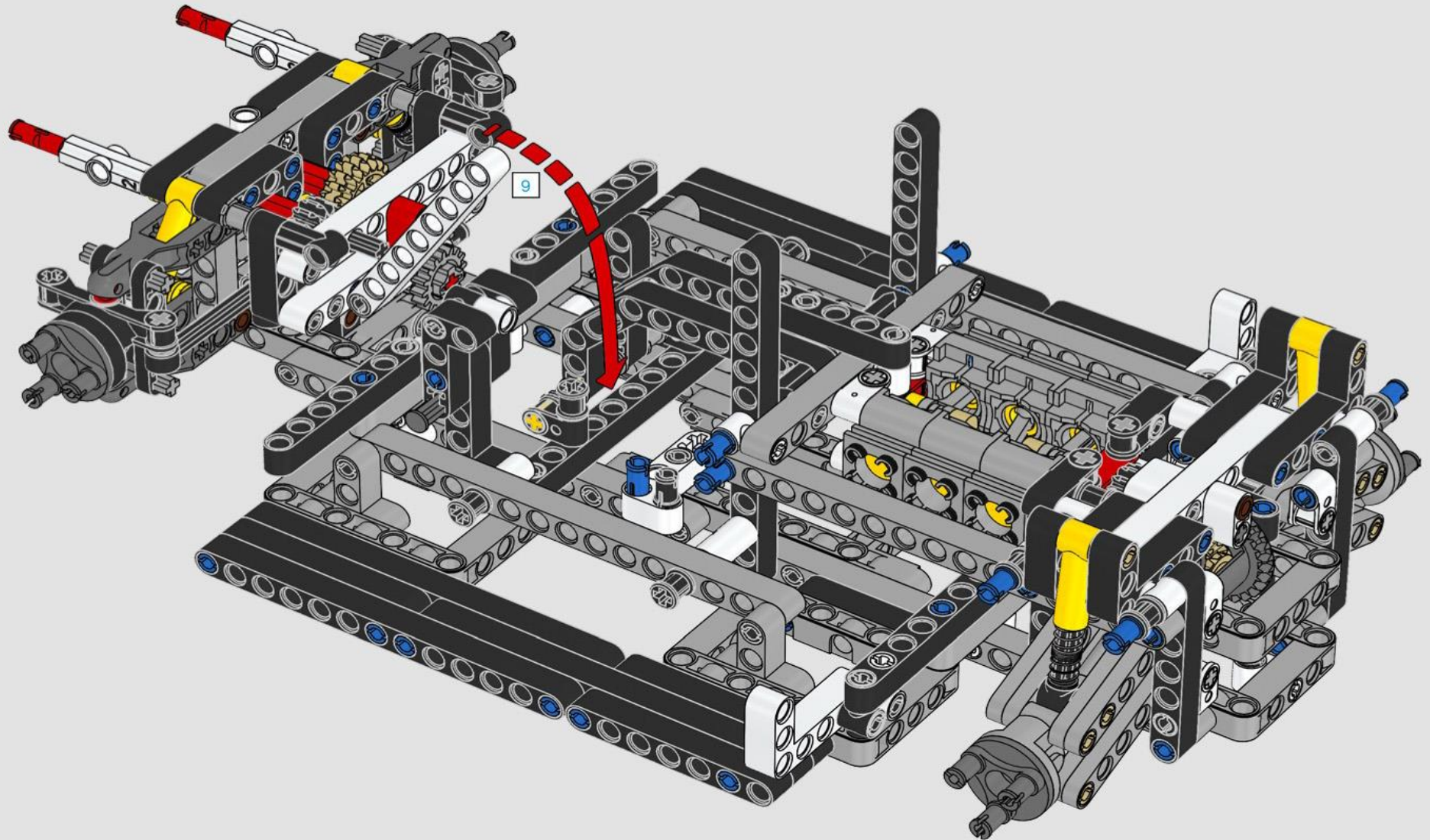


126



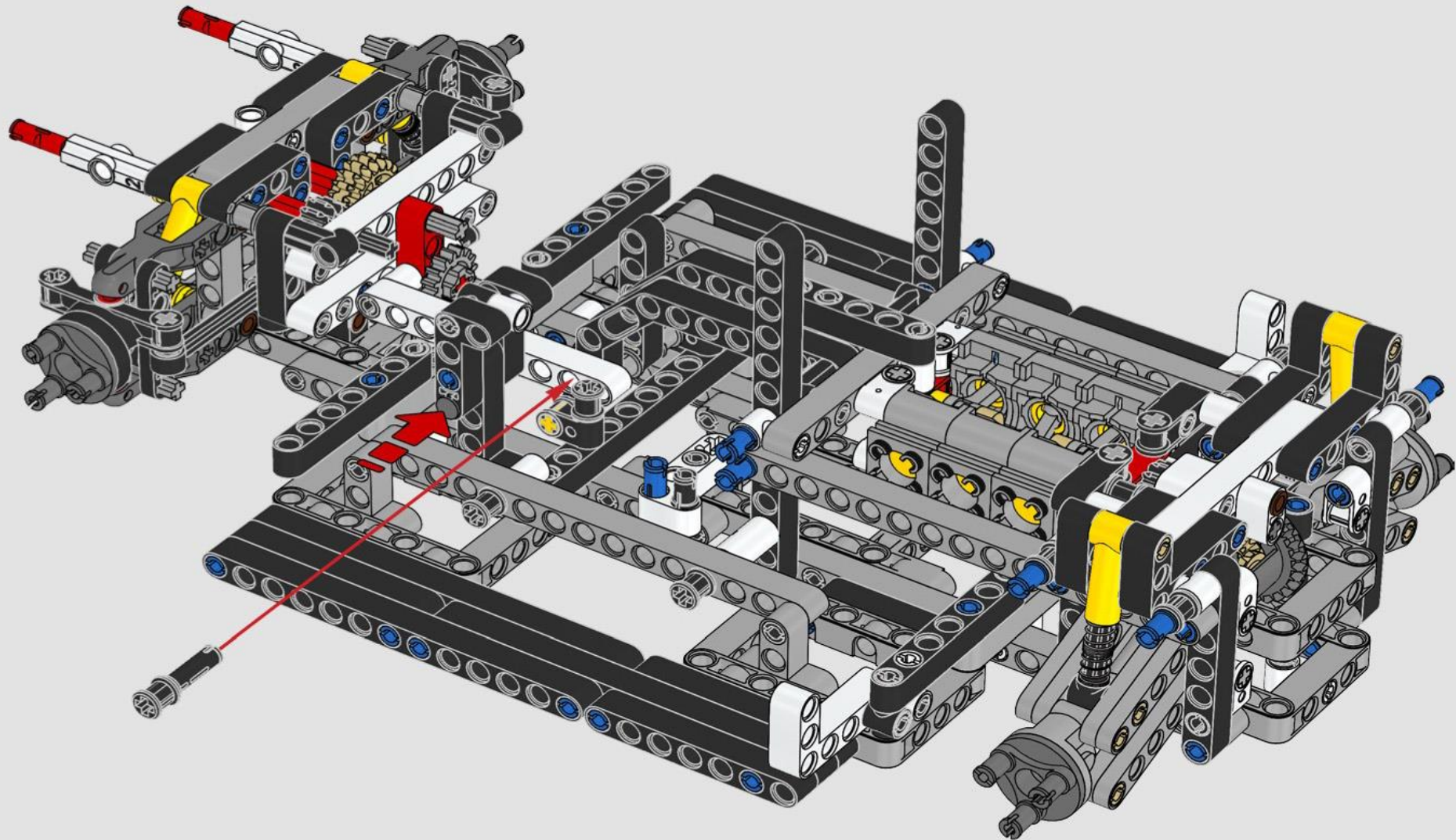


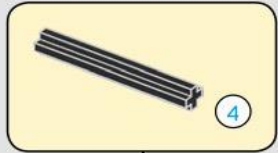
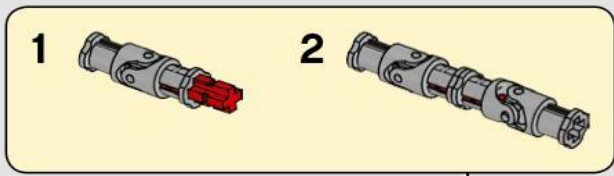
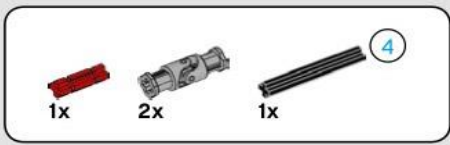
127



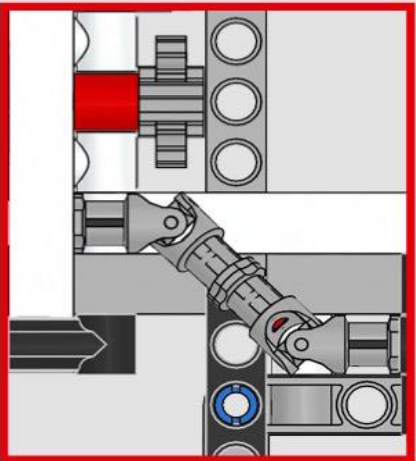
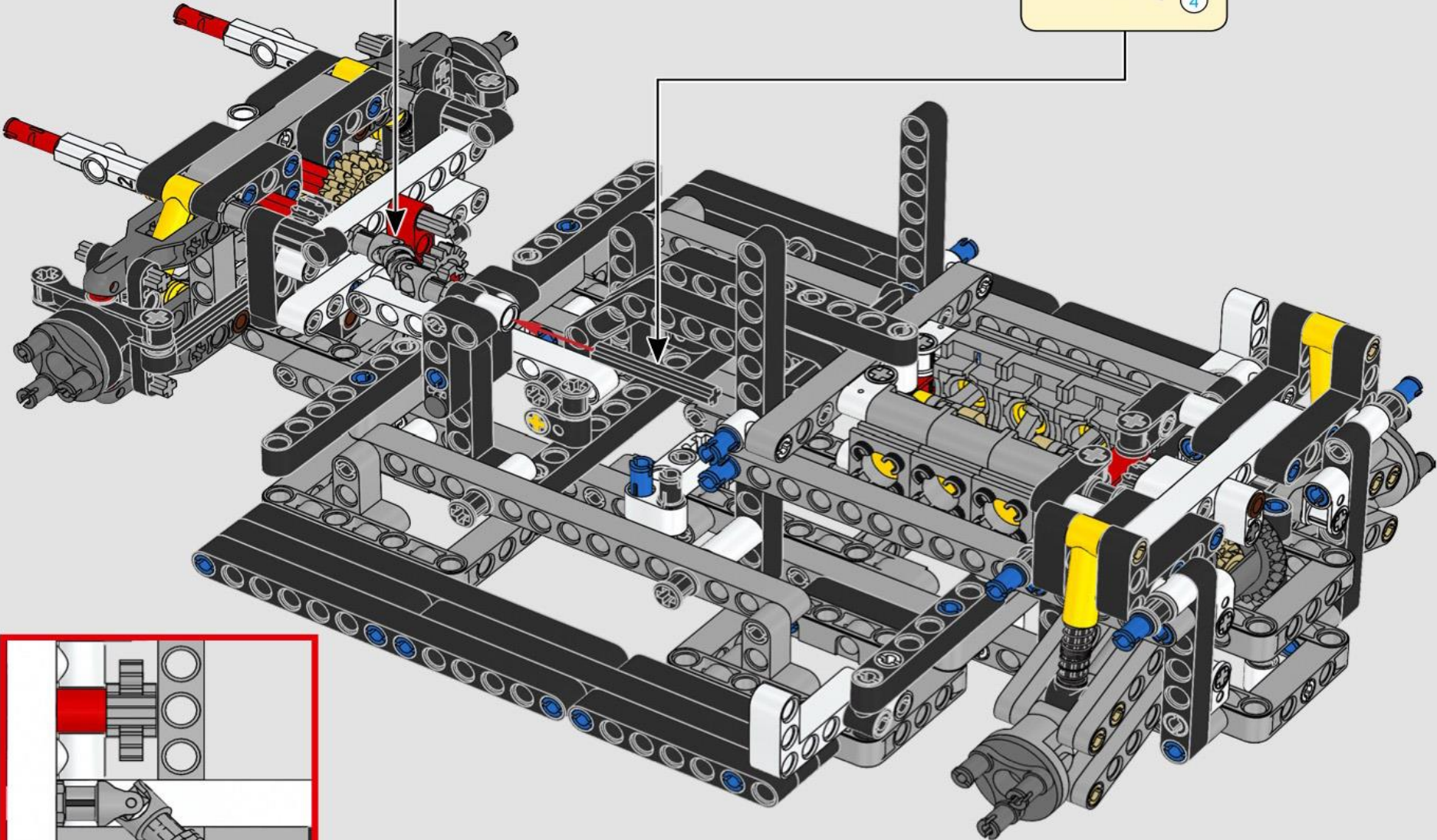


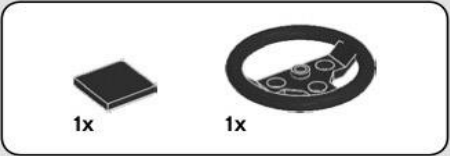
128



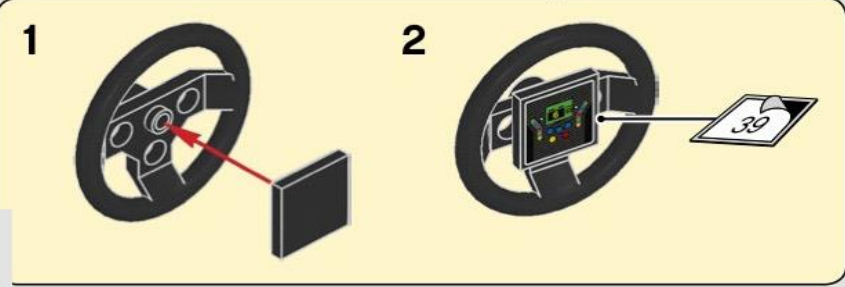
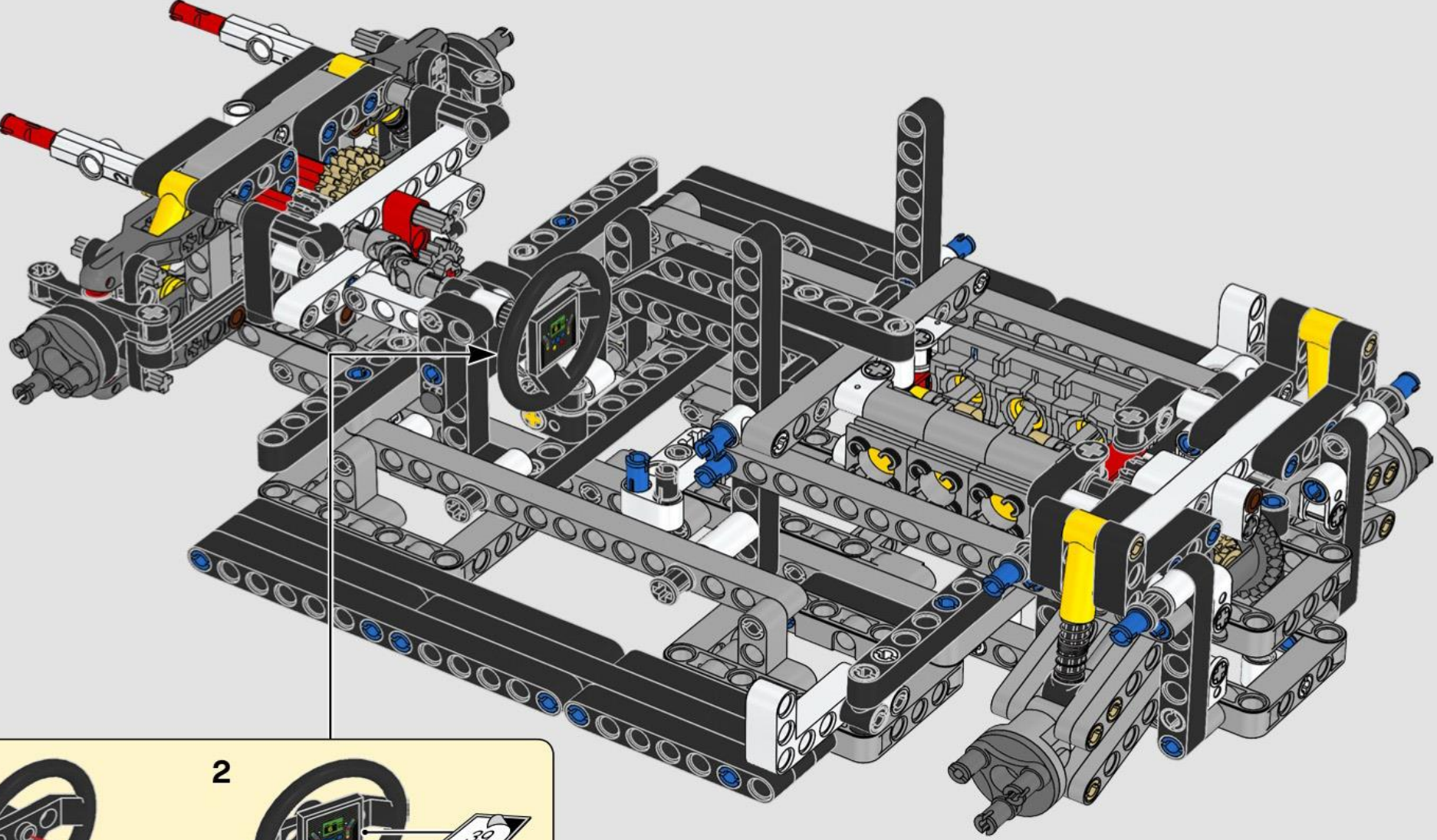


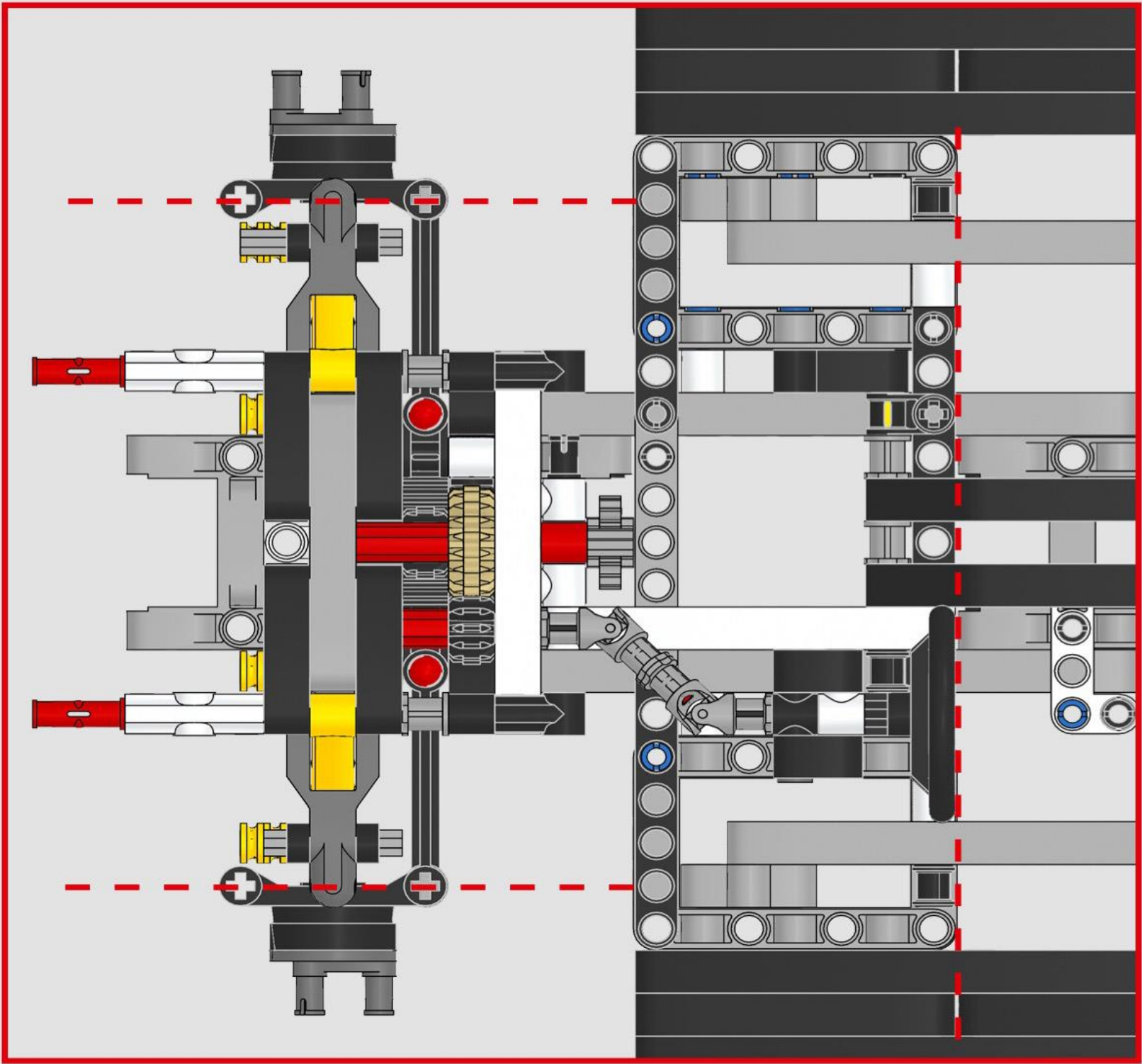
129





130

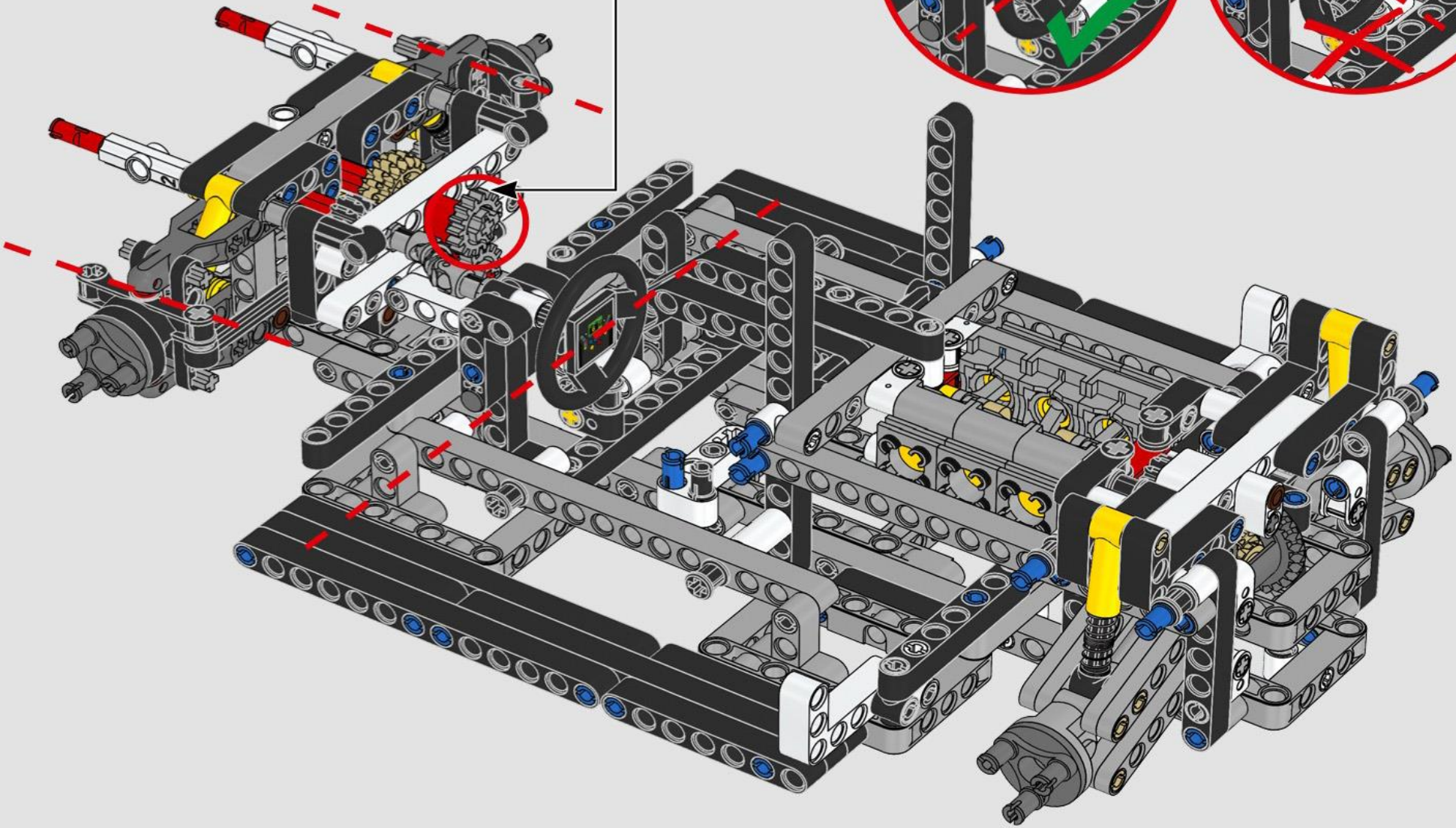


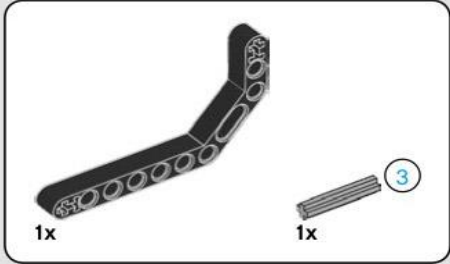
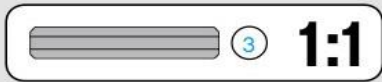
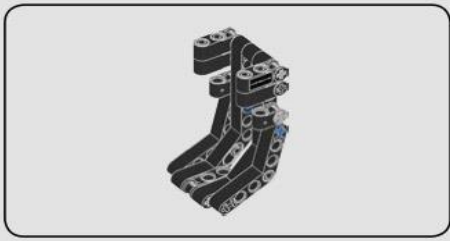




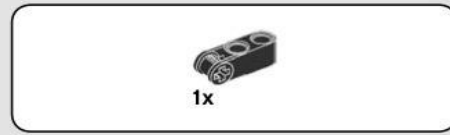
1x

131

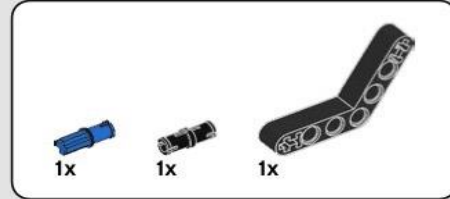




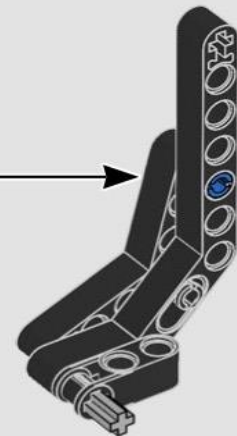
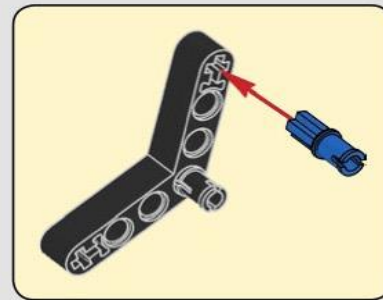
132

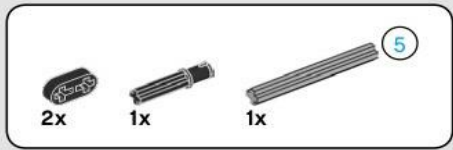


133

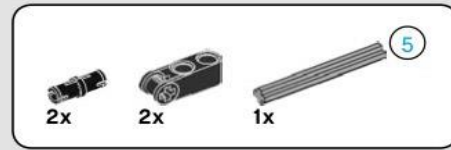
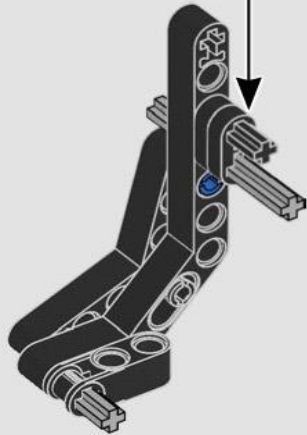
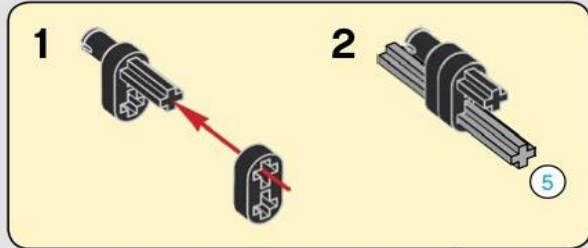


134

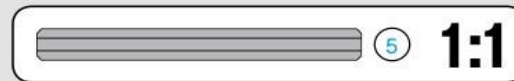
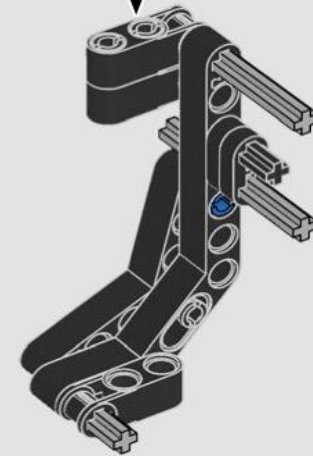
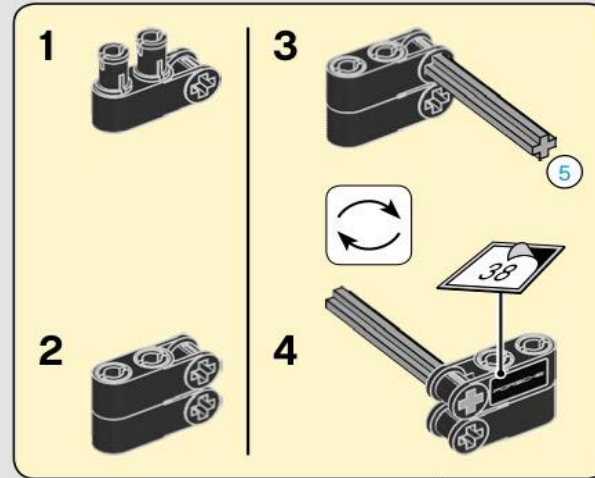


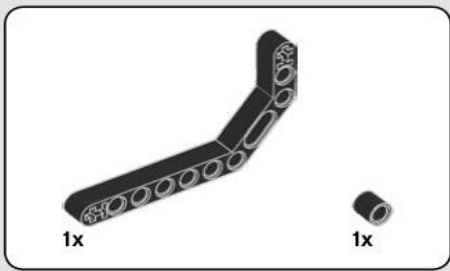


135

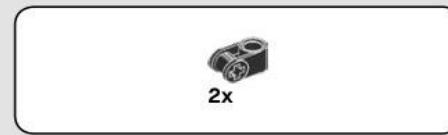
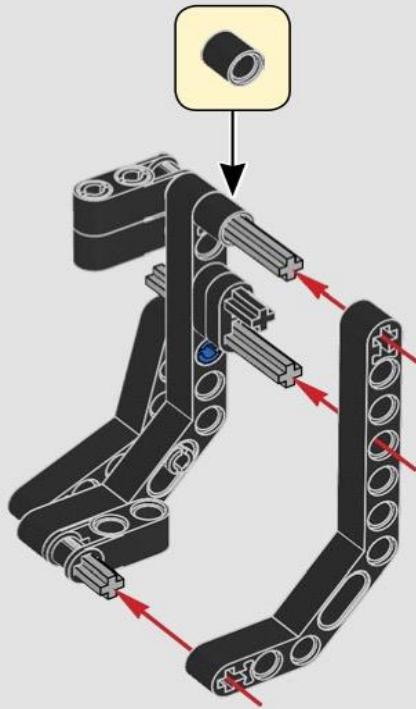


136



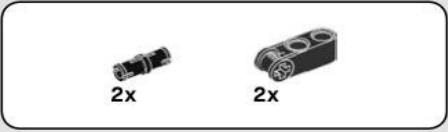


137

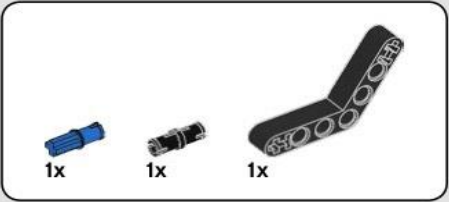
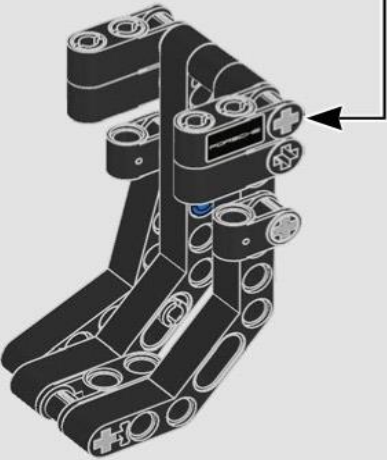
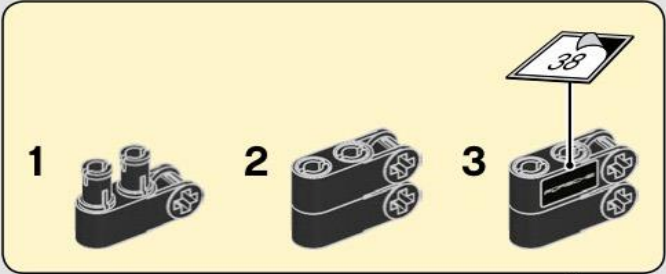


138

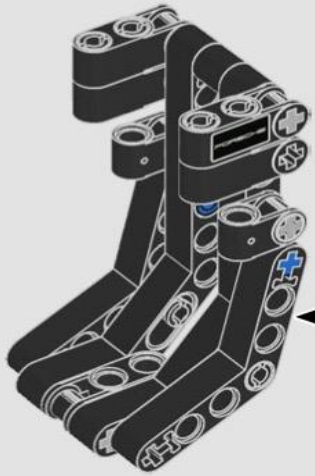




139

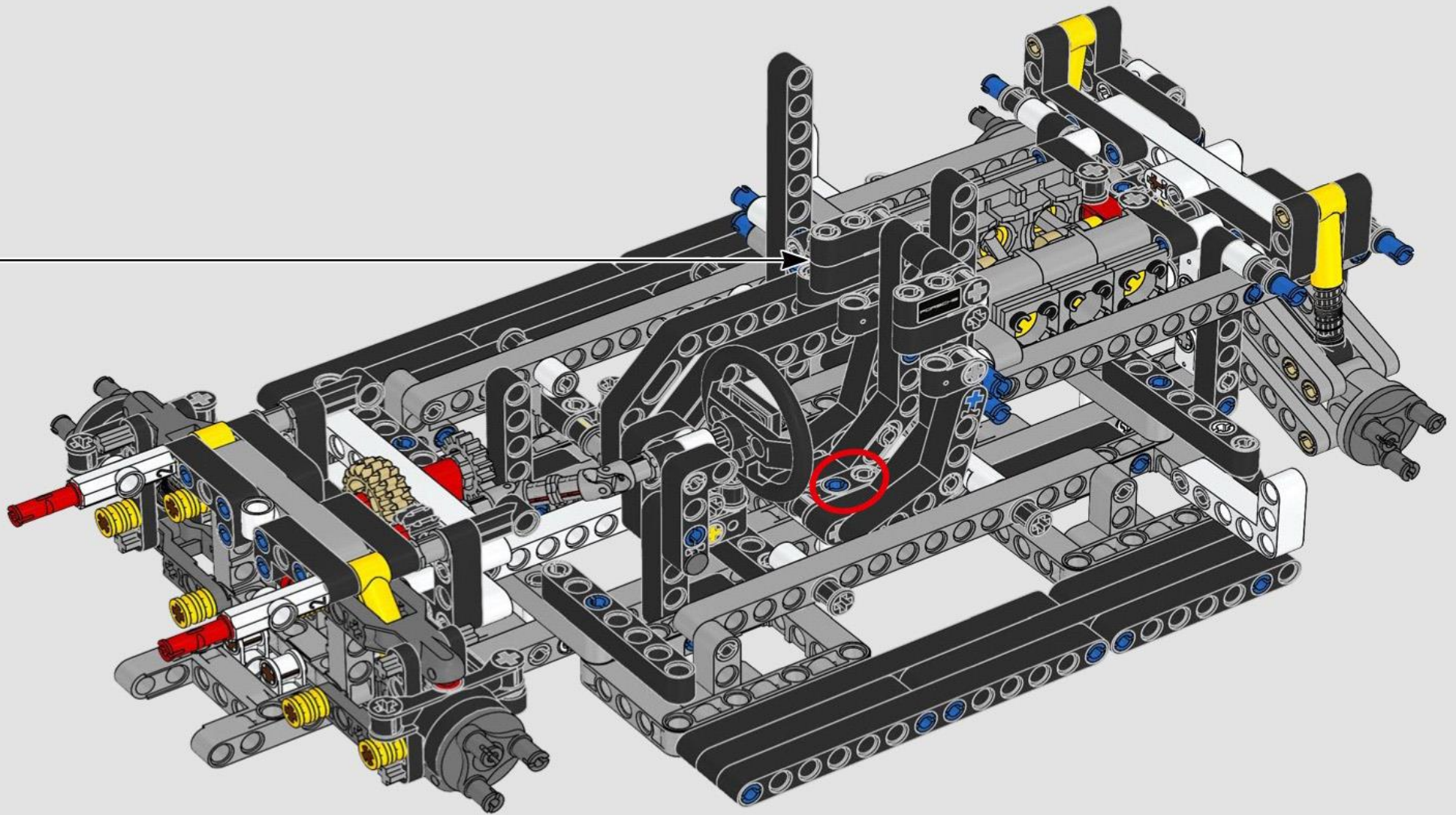


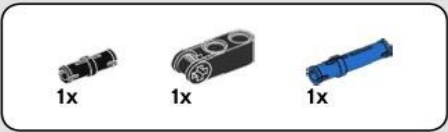
140



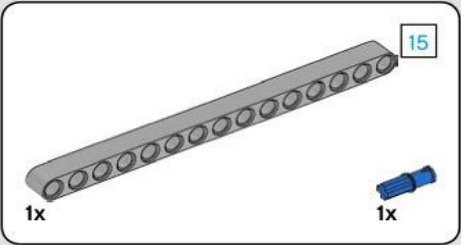
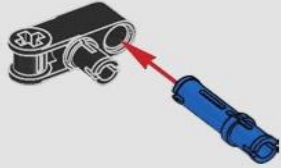


141

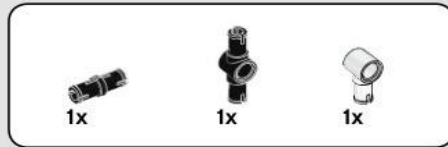
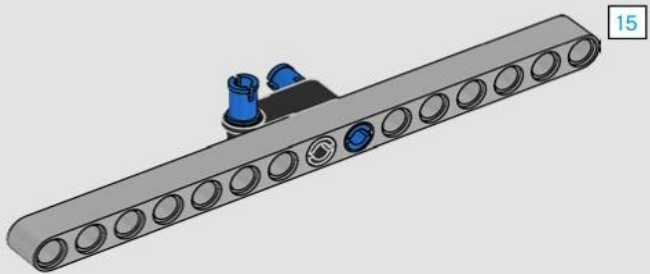




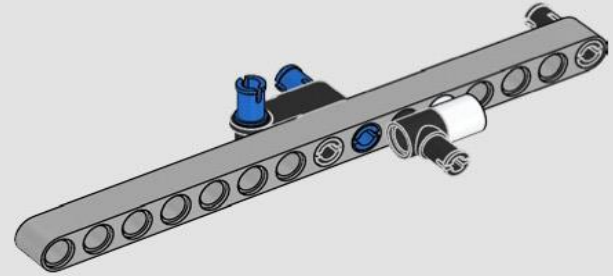
142



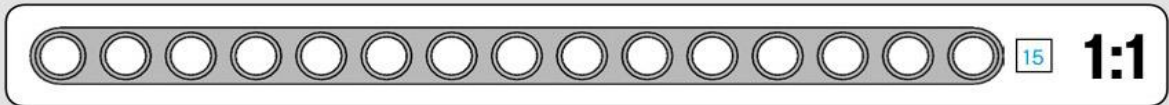
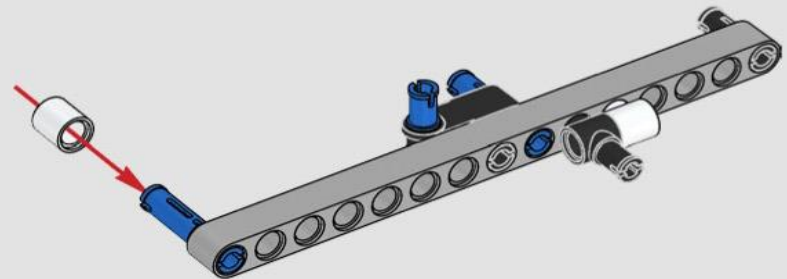
143



144

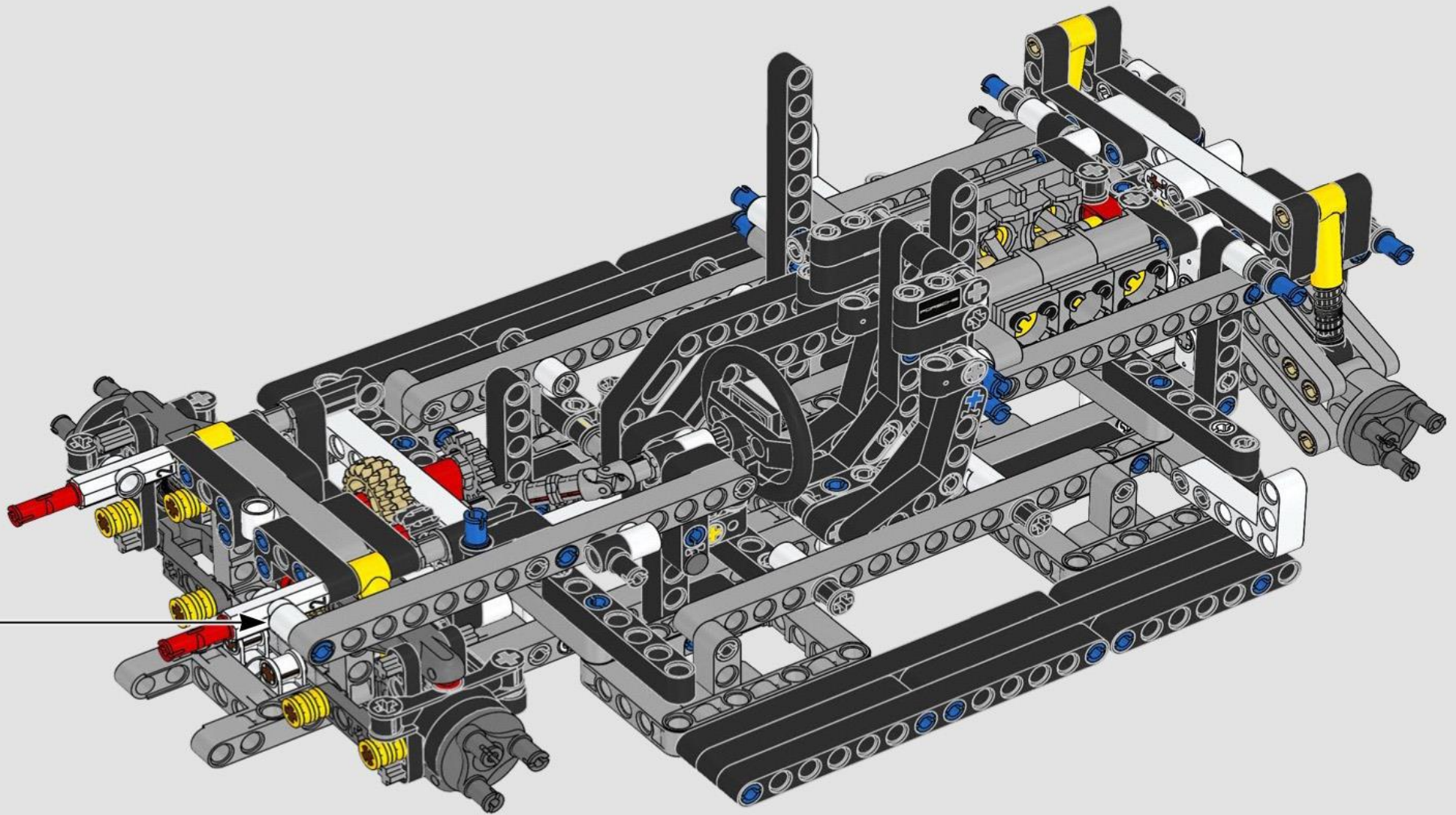


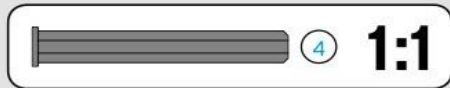
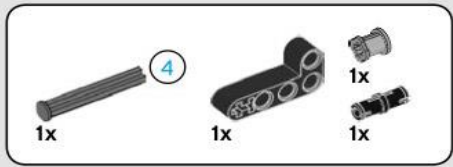
145



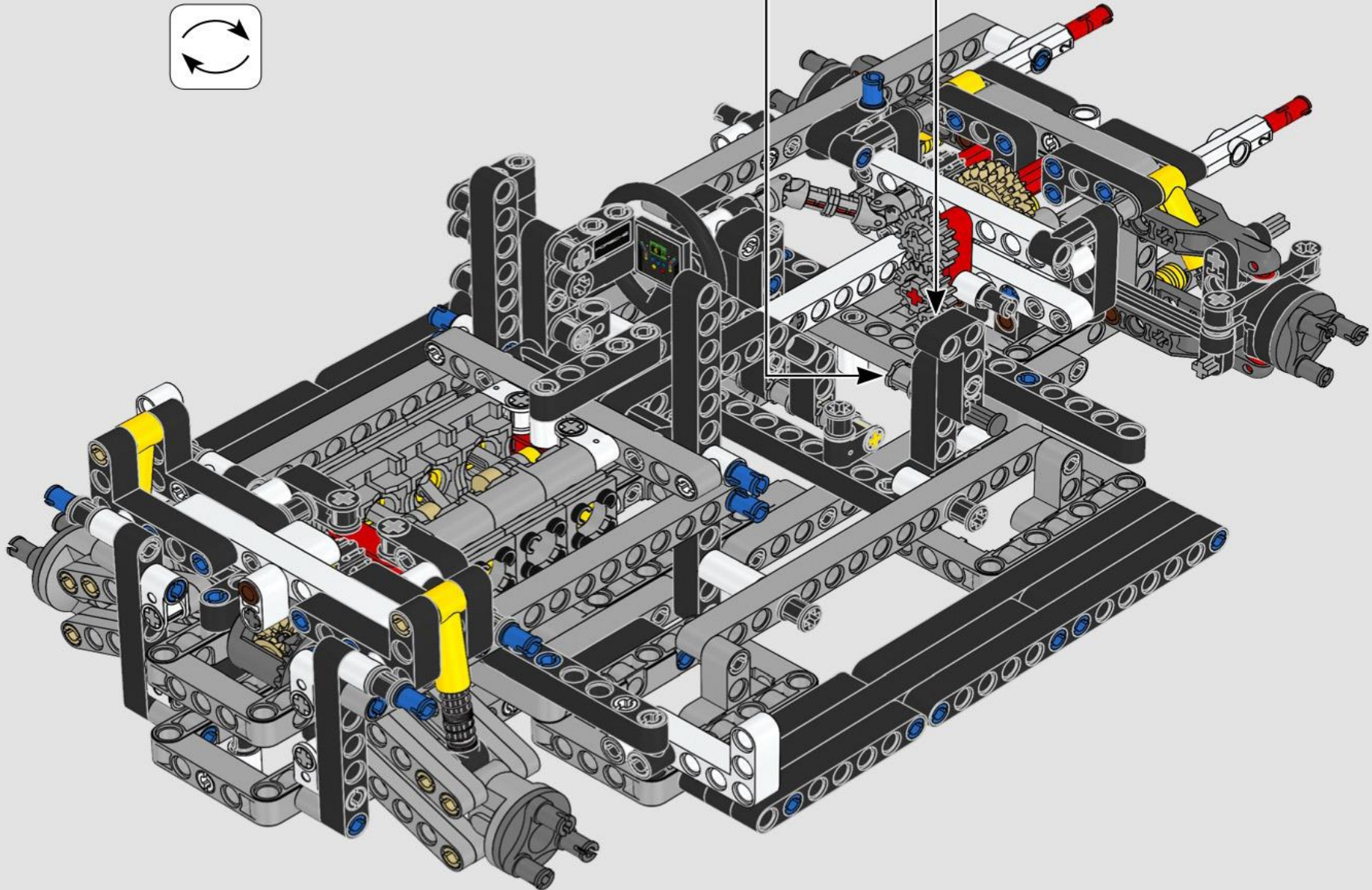
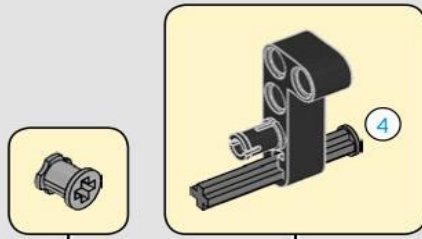


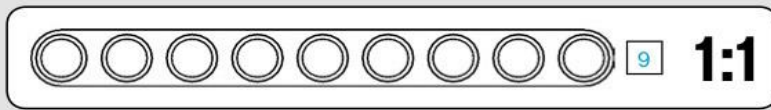
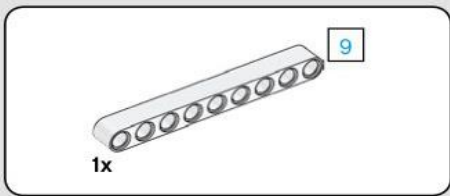
146



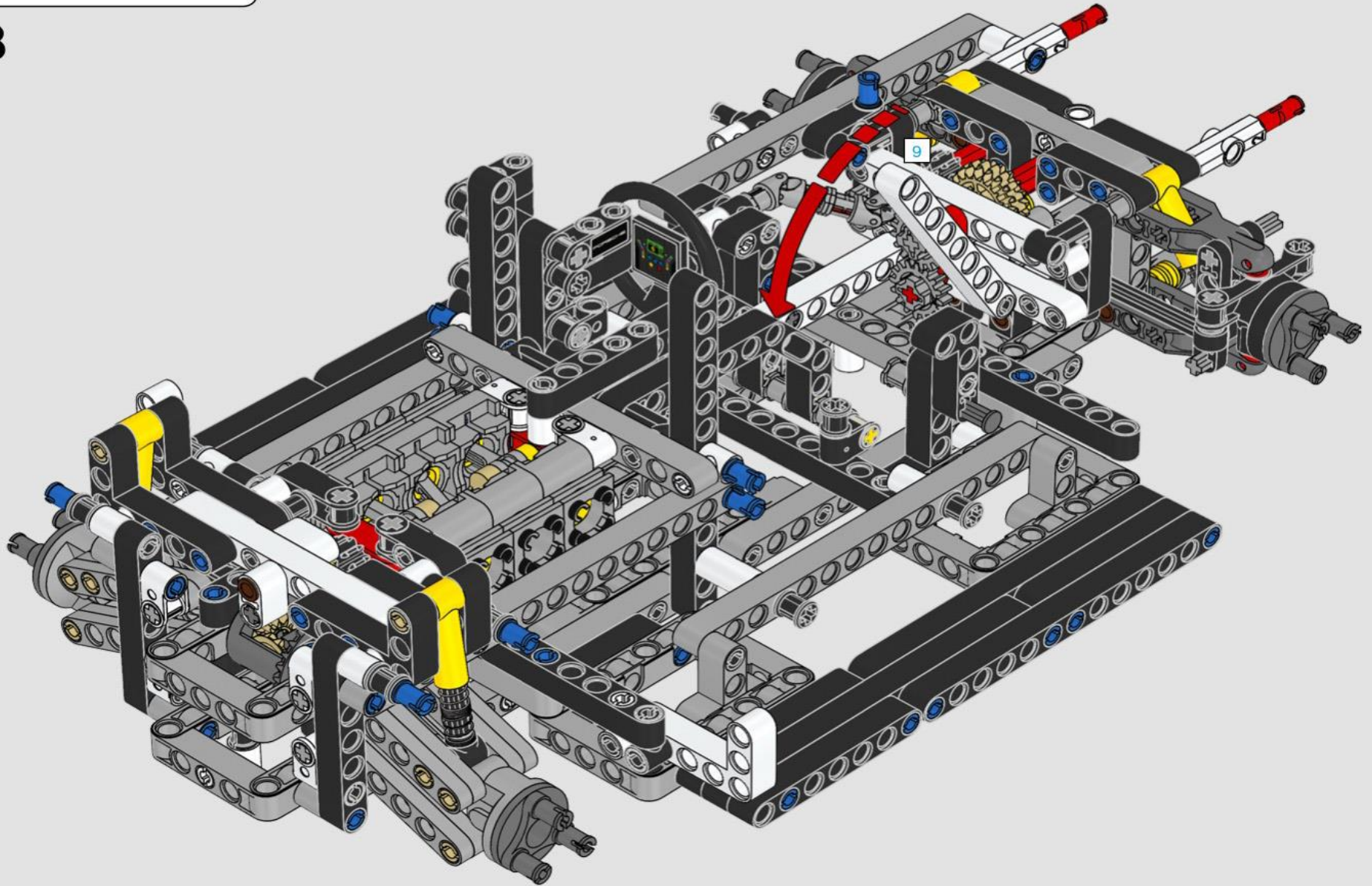


147



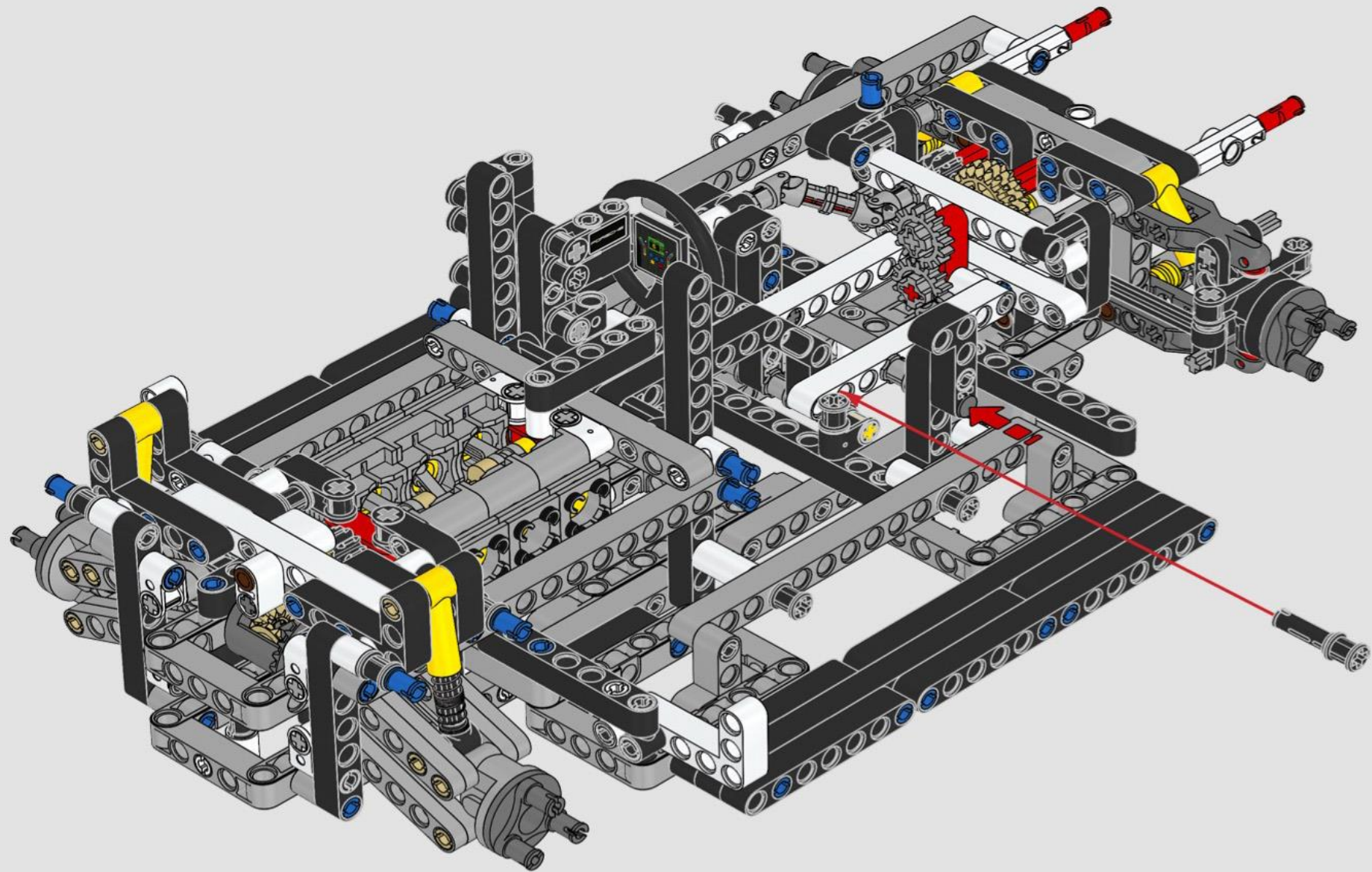


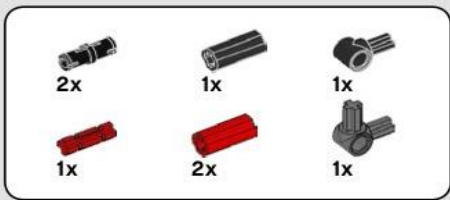
148



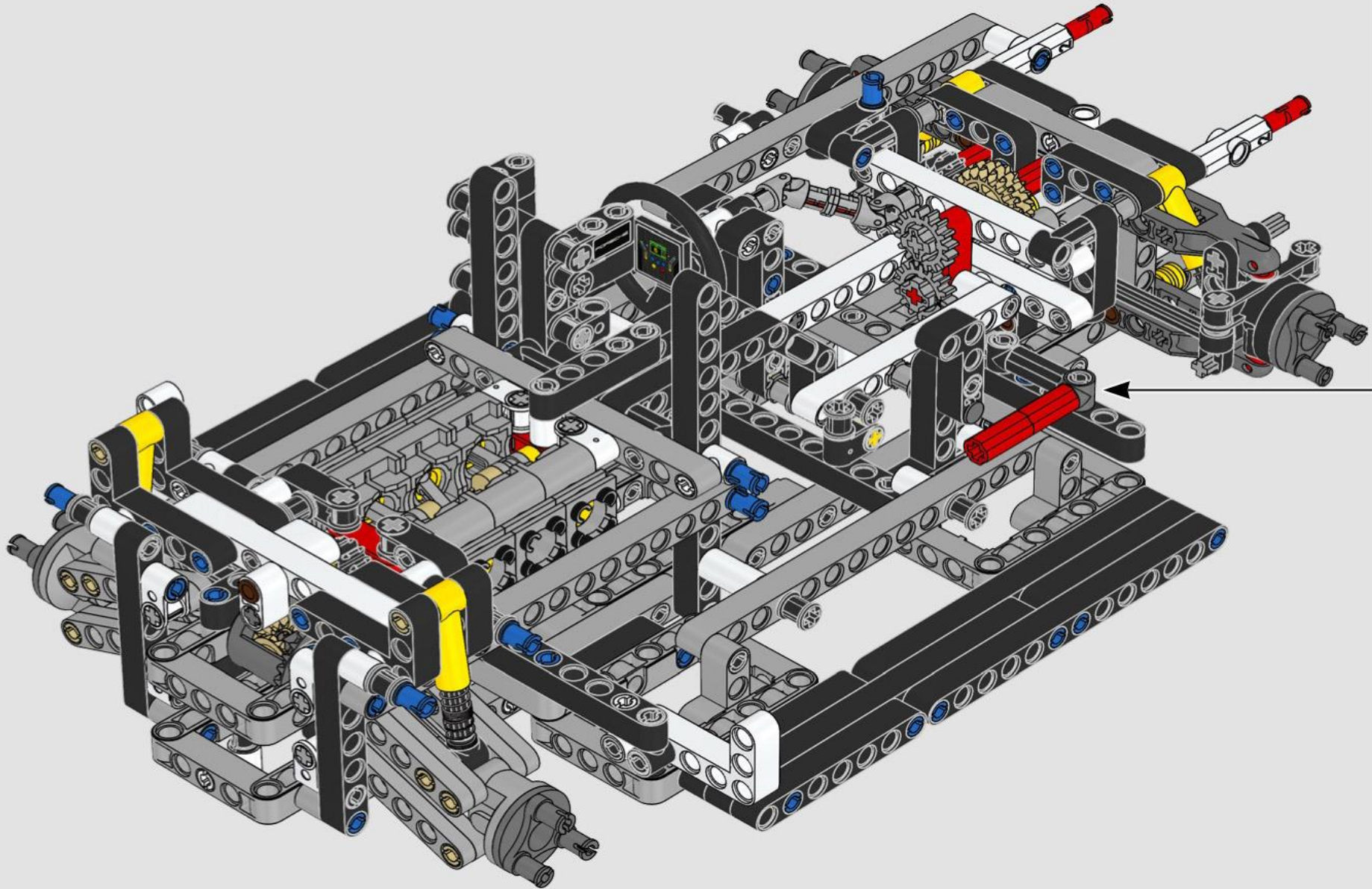
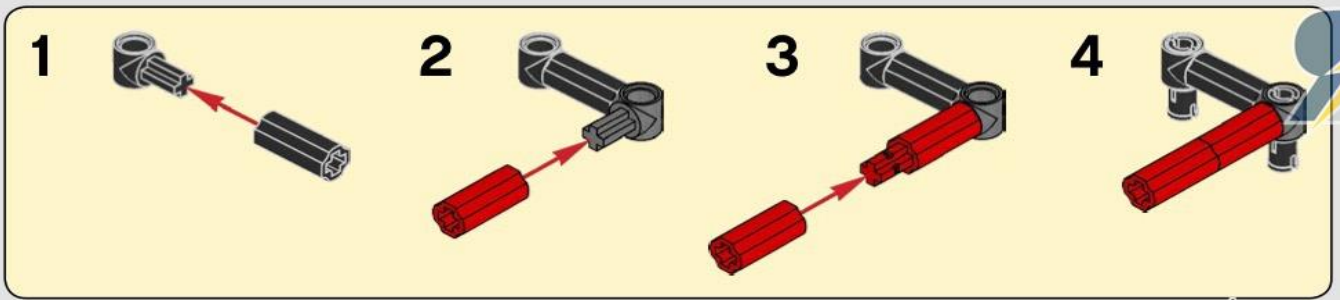


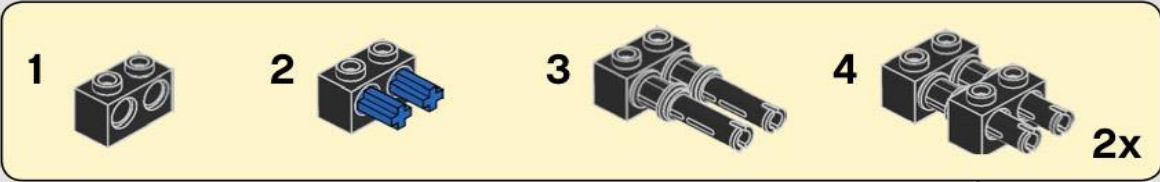
149



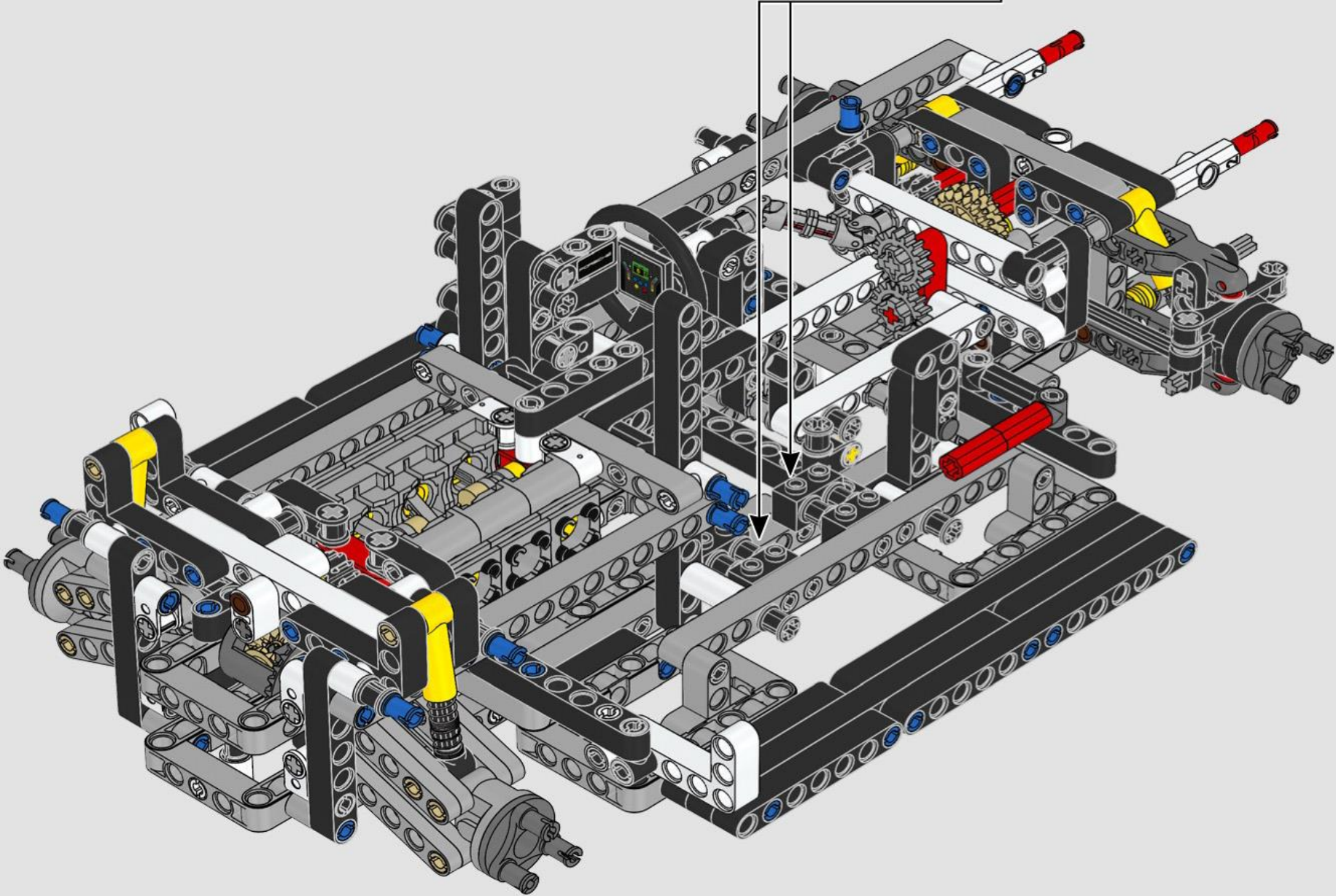


150

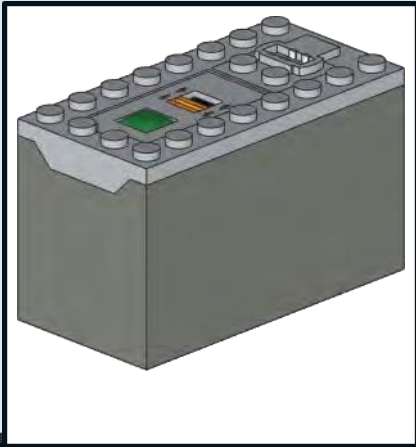




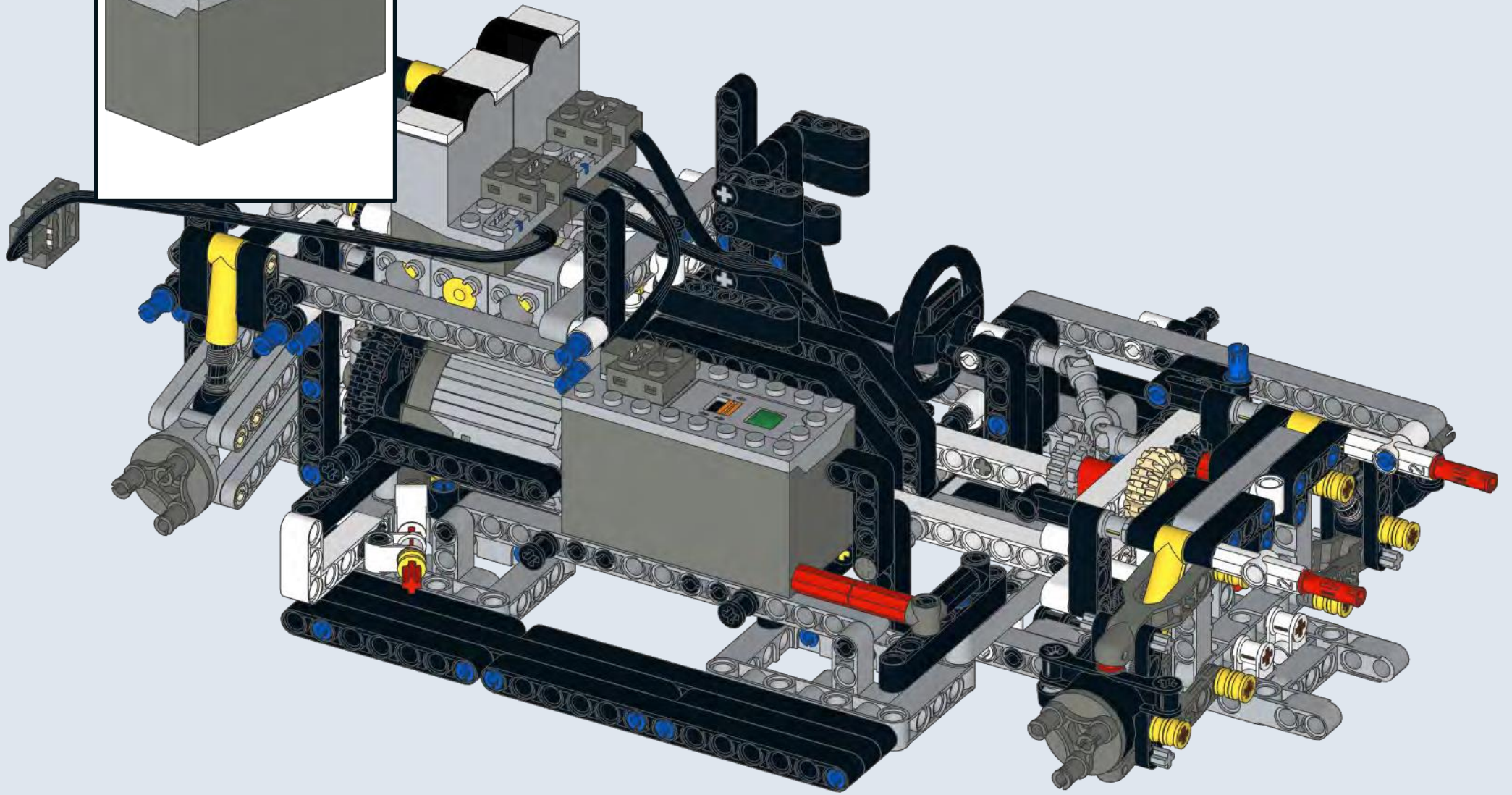
151

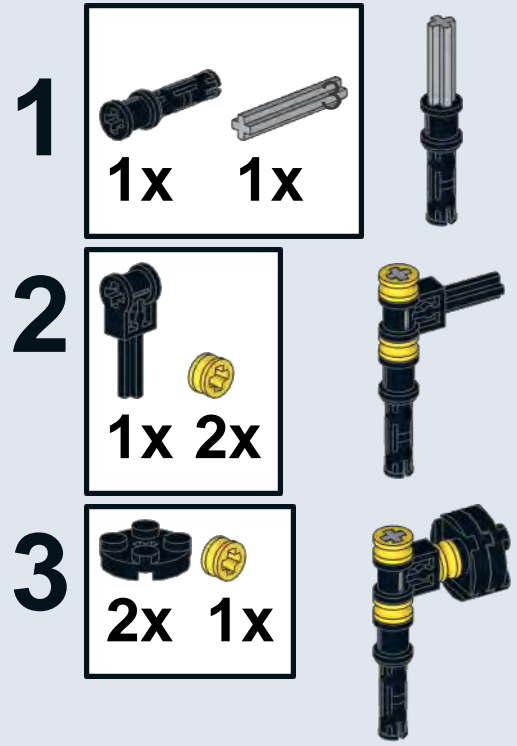


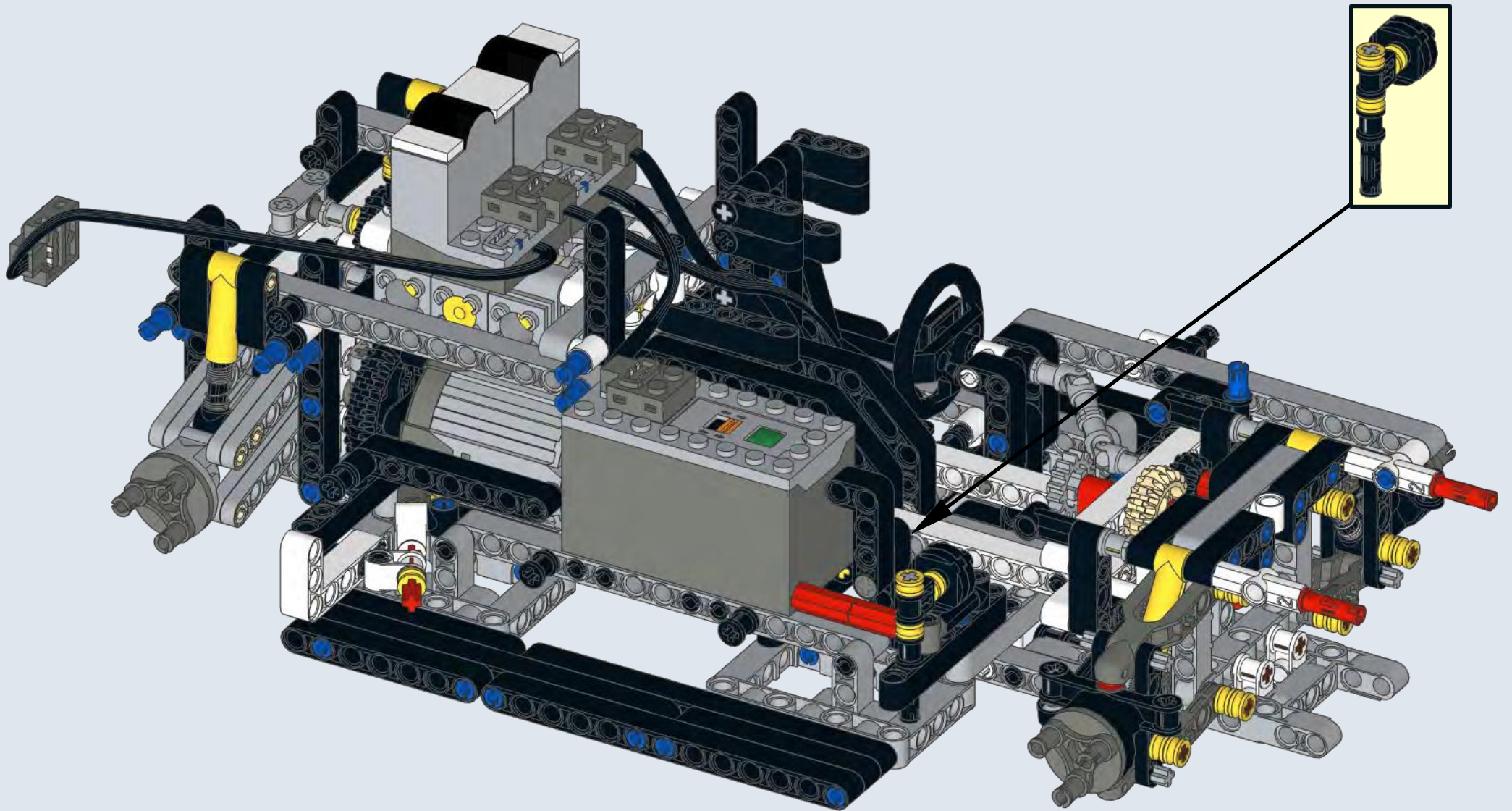
152



1x



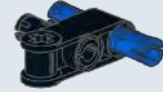






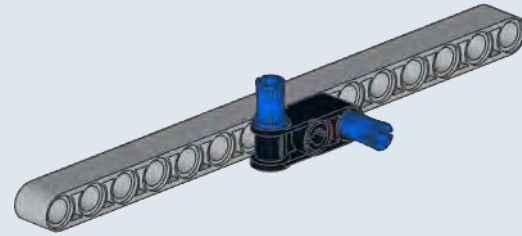
1

1x 1x 1x



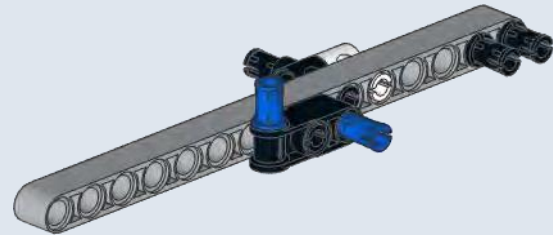
2

1x 15 1x



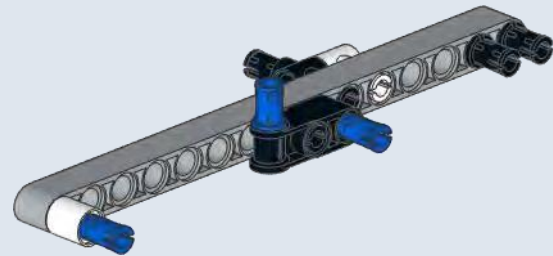
3

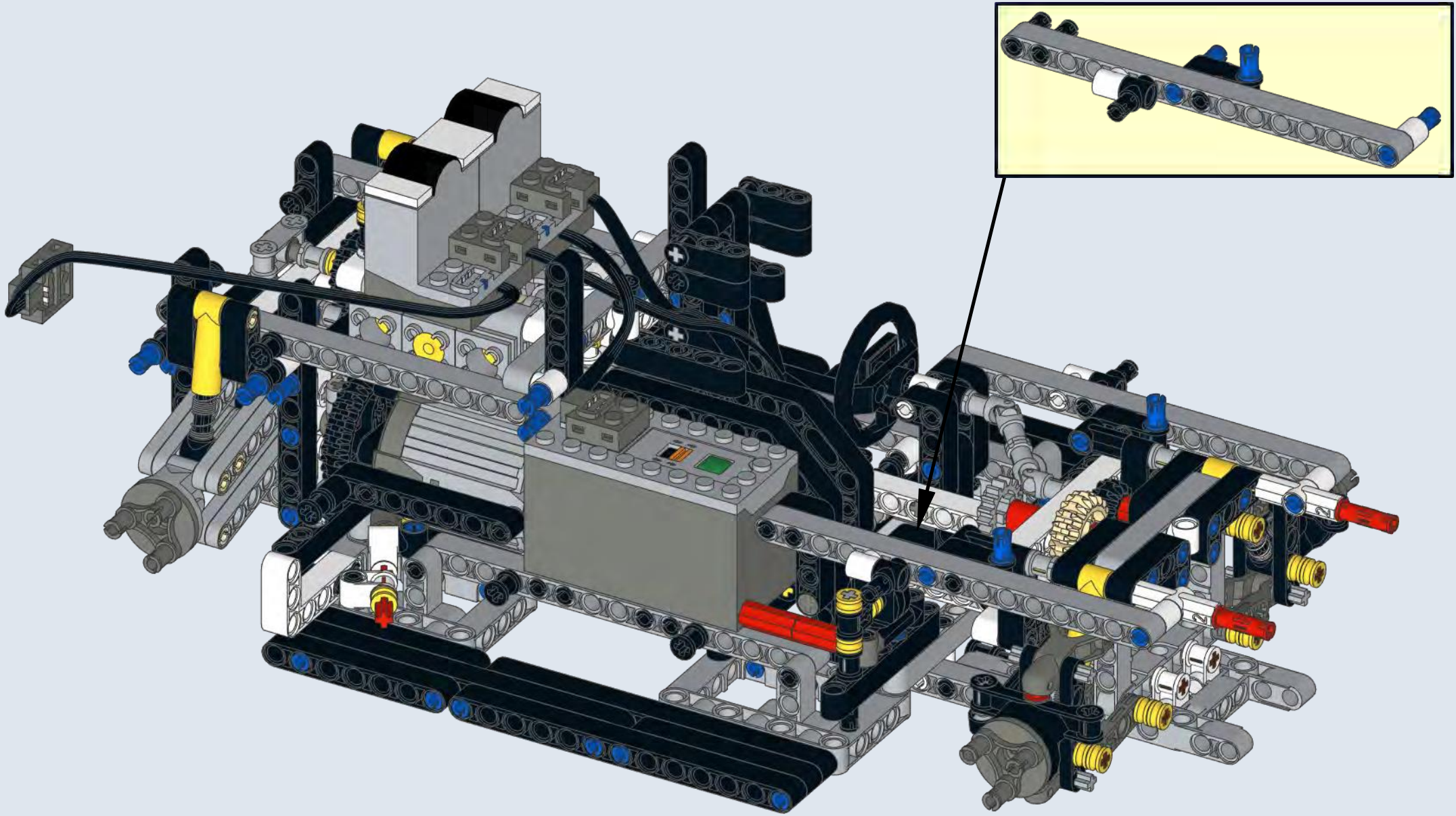
1x 2x 1x

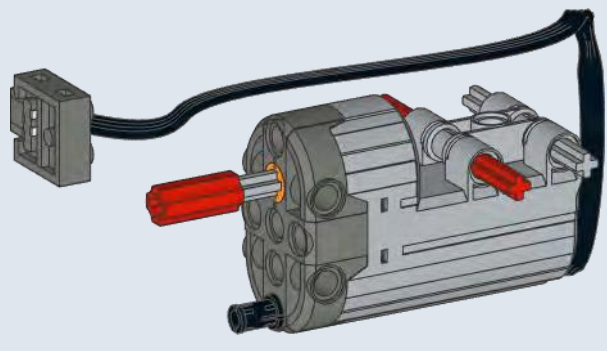
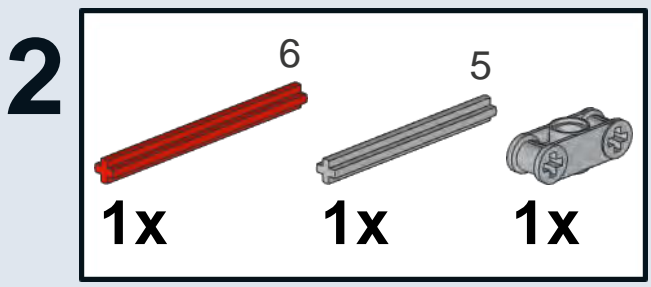
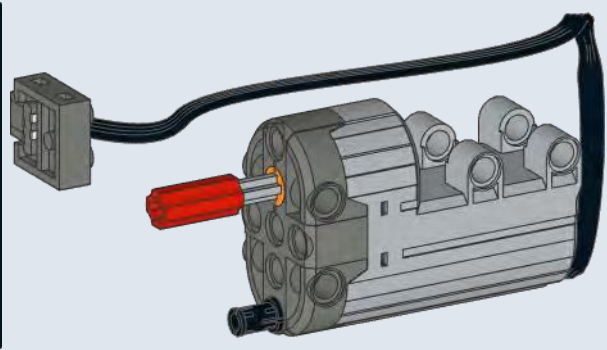
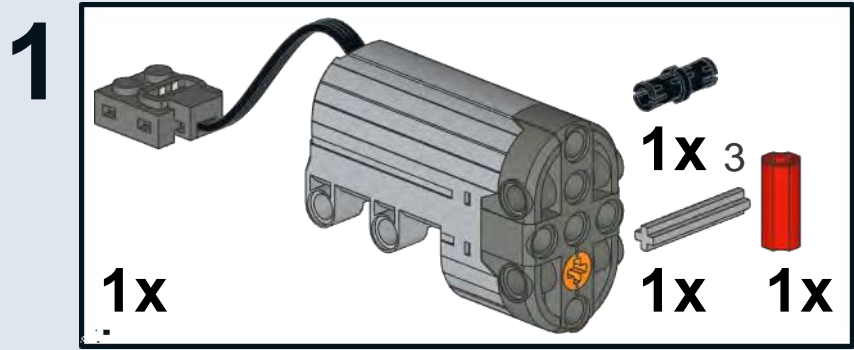


4

1x 1x





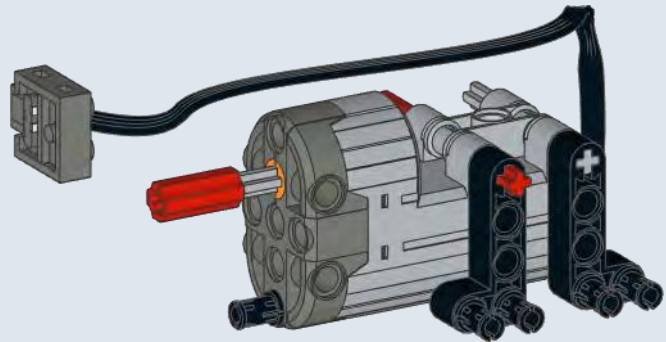




3

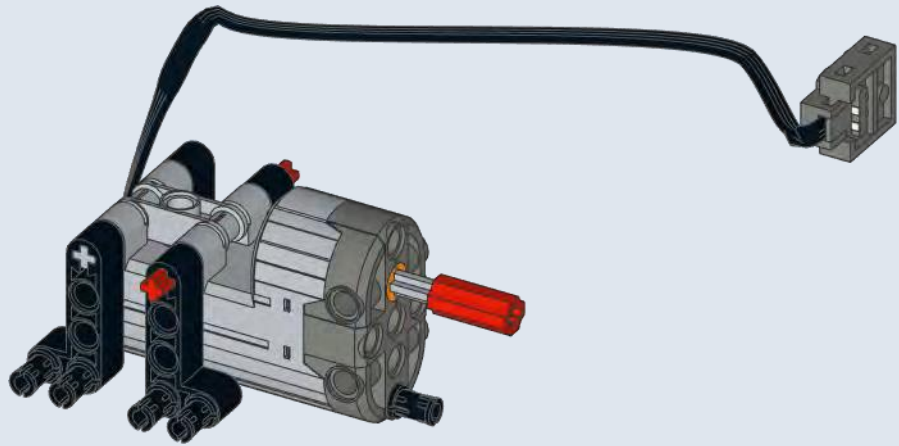
4x

2x

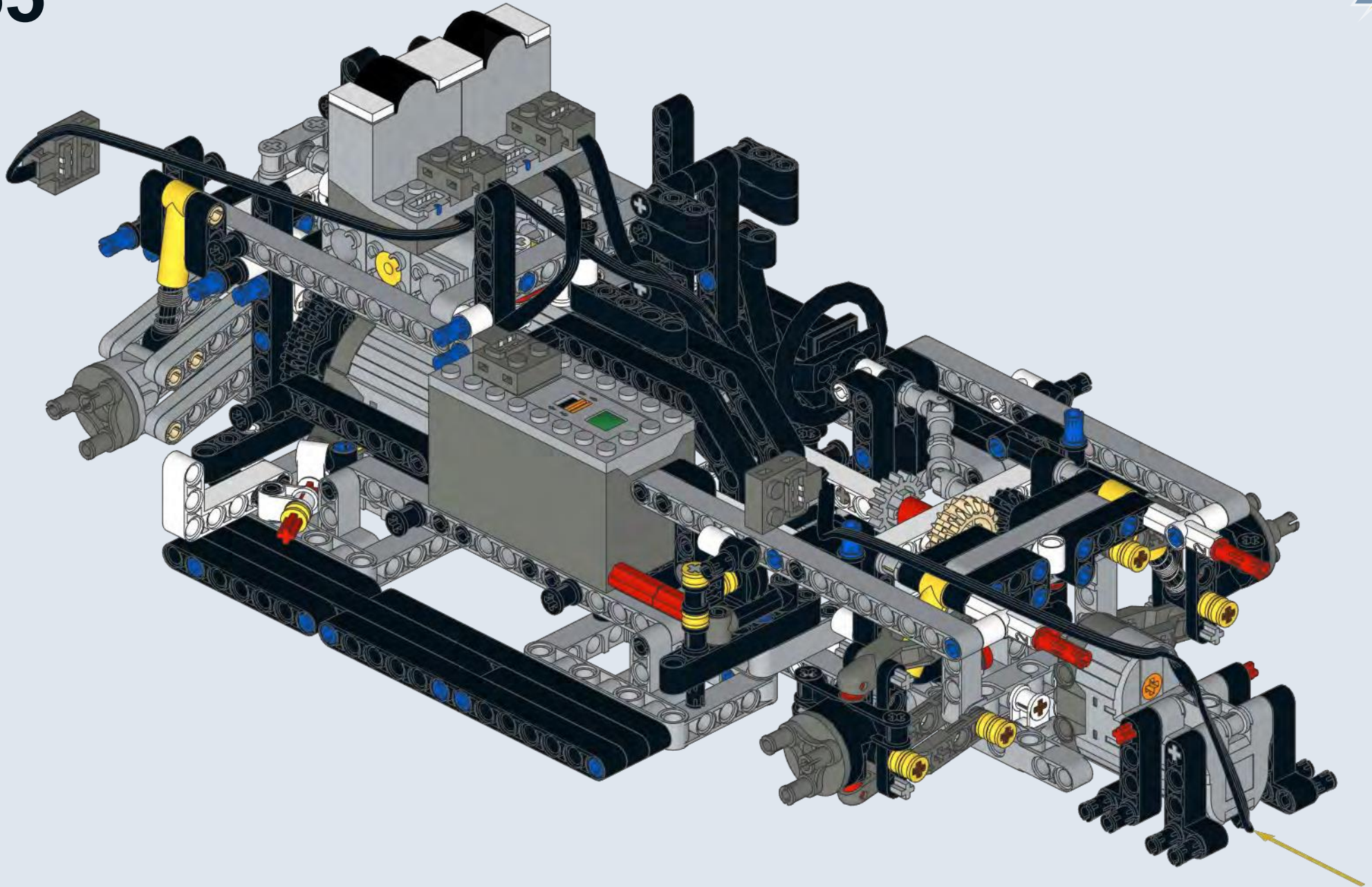


4

4x



155





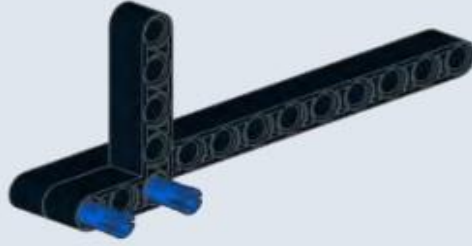
1

1x **2x**



2

1x 13

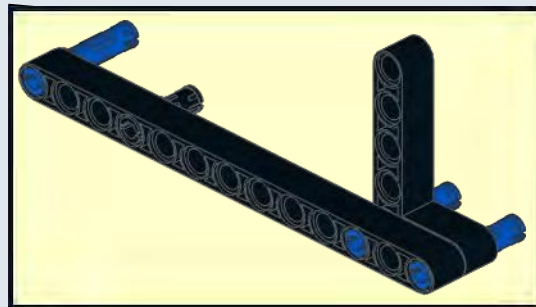
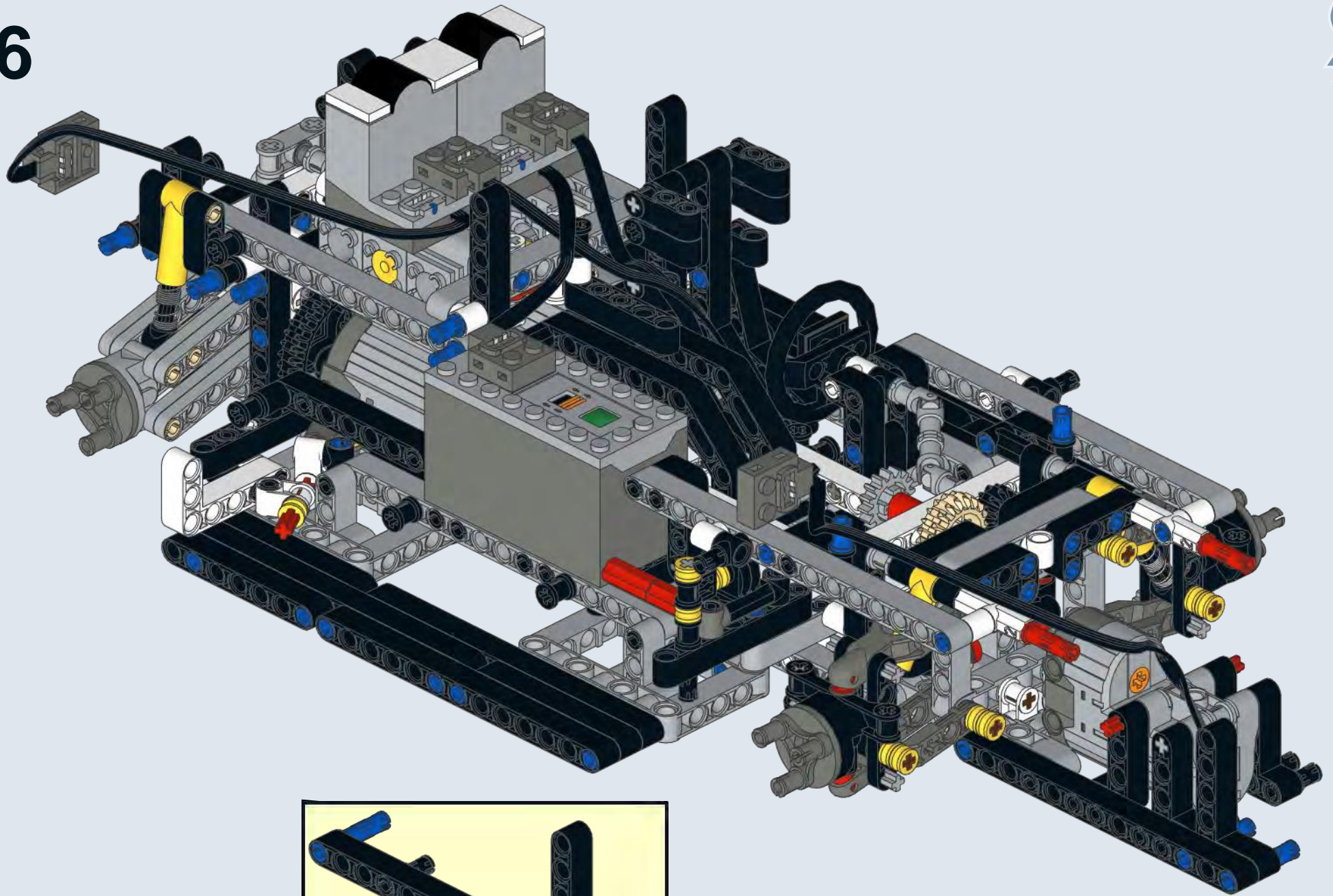


3

1x **1x**

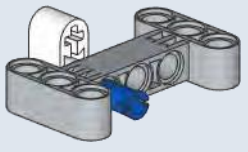
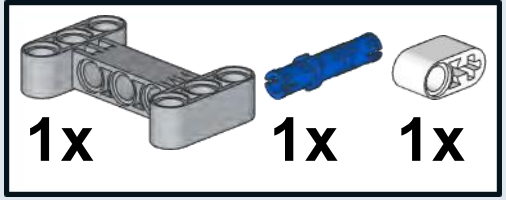


156

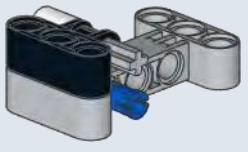
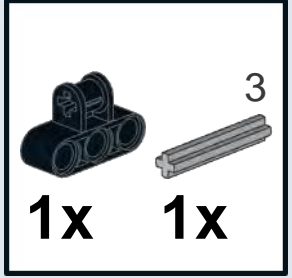




1



2

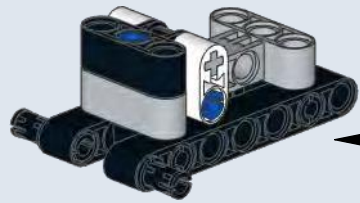


3





4



1

7

1x 2x

2

1x

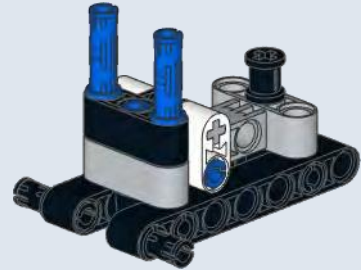
3

1x 2x

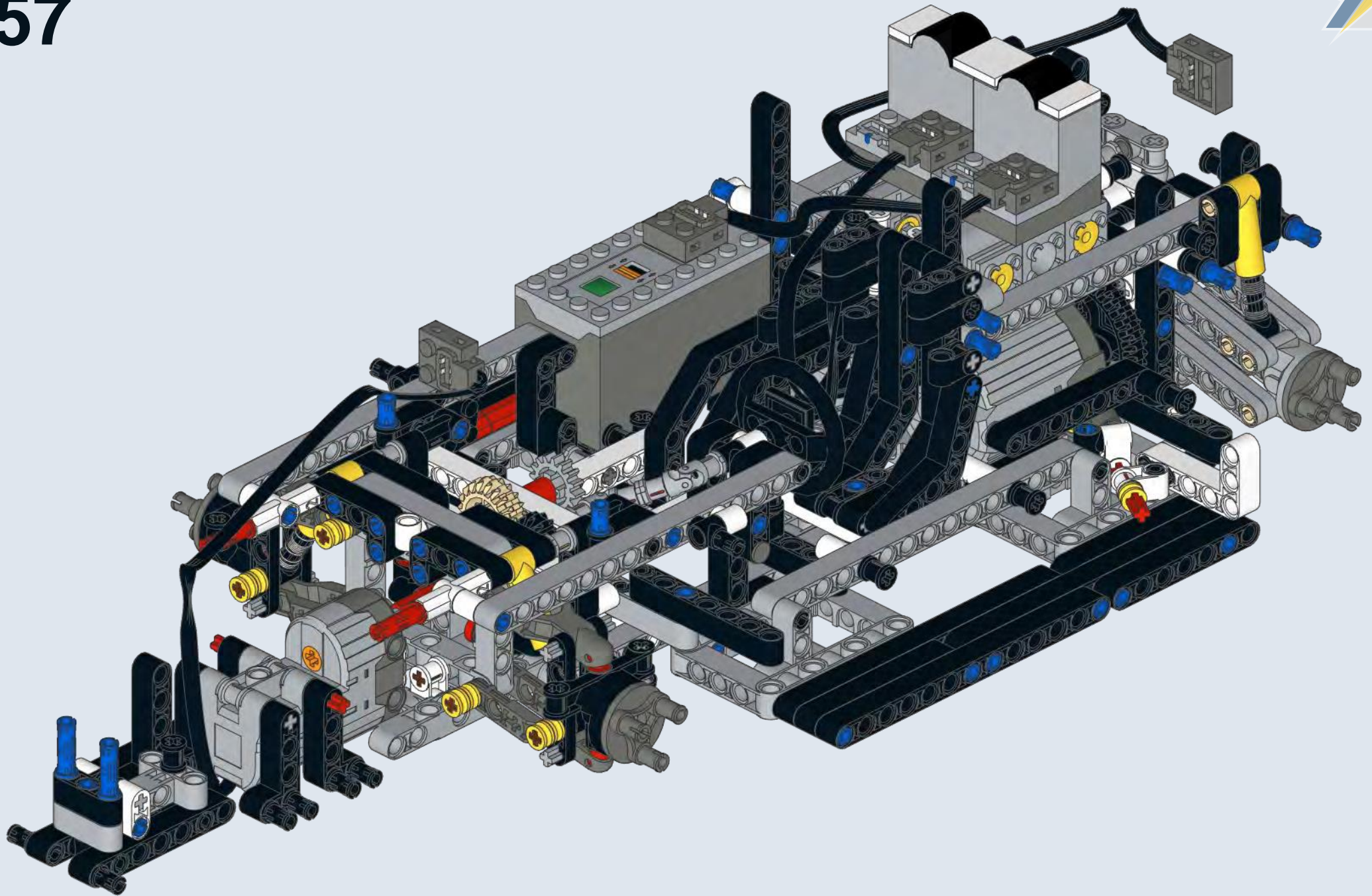
Assembly Diagram: A yellow box contains three steps of assembly. Step 1 shows a black 1x7 Technic beam and two black Technic pins. Step 2 shows a black 1x7 Technic beam. Step 3 shows a blue Technic pin and two black Technic pins. Below the parts lists are three diagrams showing the assembly process: 1. A black 1x7 Technic beam with two black pins inserted into the 2nd and 6th holes. 2. A black 1x7 Technic beam with one black pin inserted into the 2nd hole. 3. A black 1x7 Technic beam with one blue pin inserted into the 2nd hole and two black pins inserted into the 6th and 7th holes. An arrow points from the yellow box to the sub-assembly on the left.



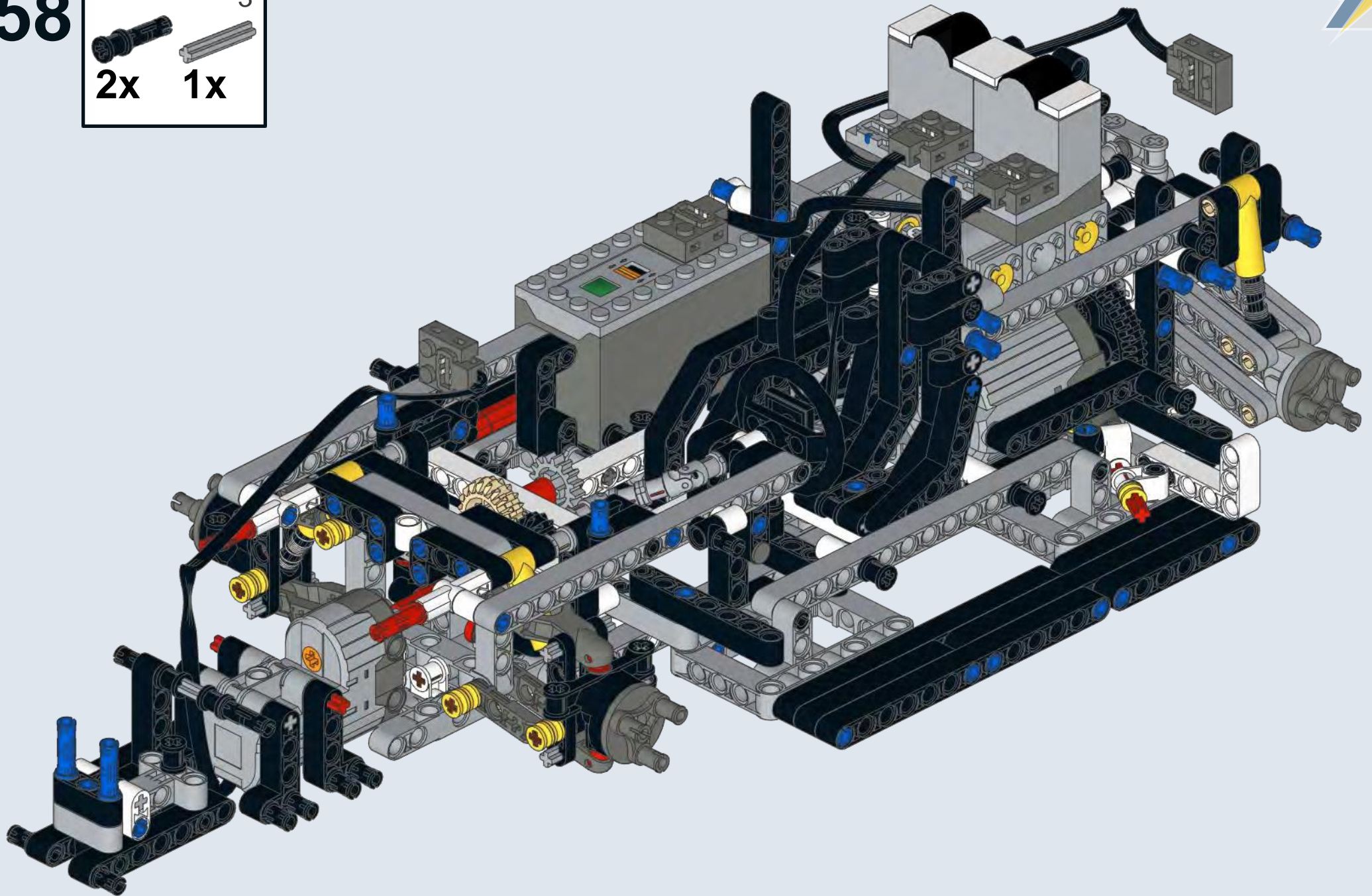
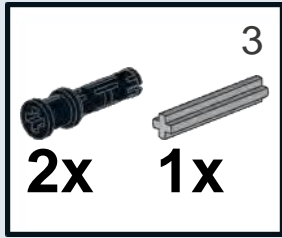
5



157

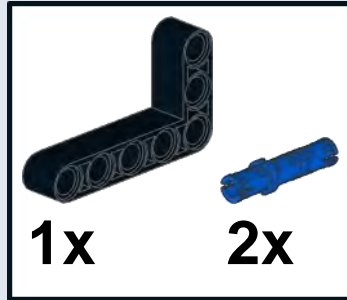


158

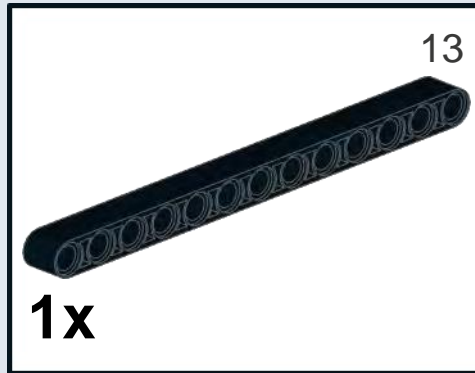




1

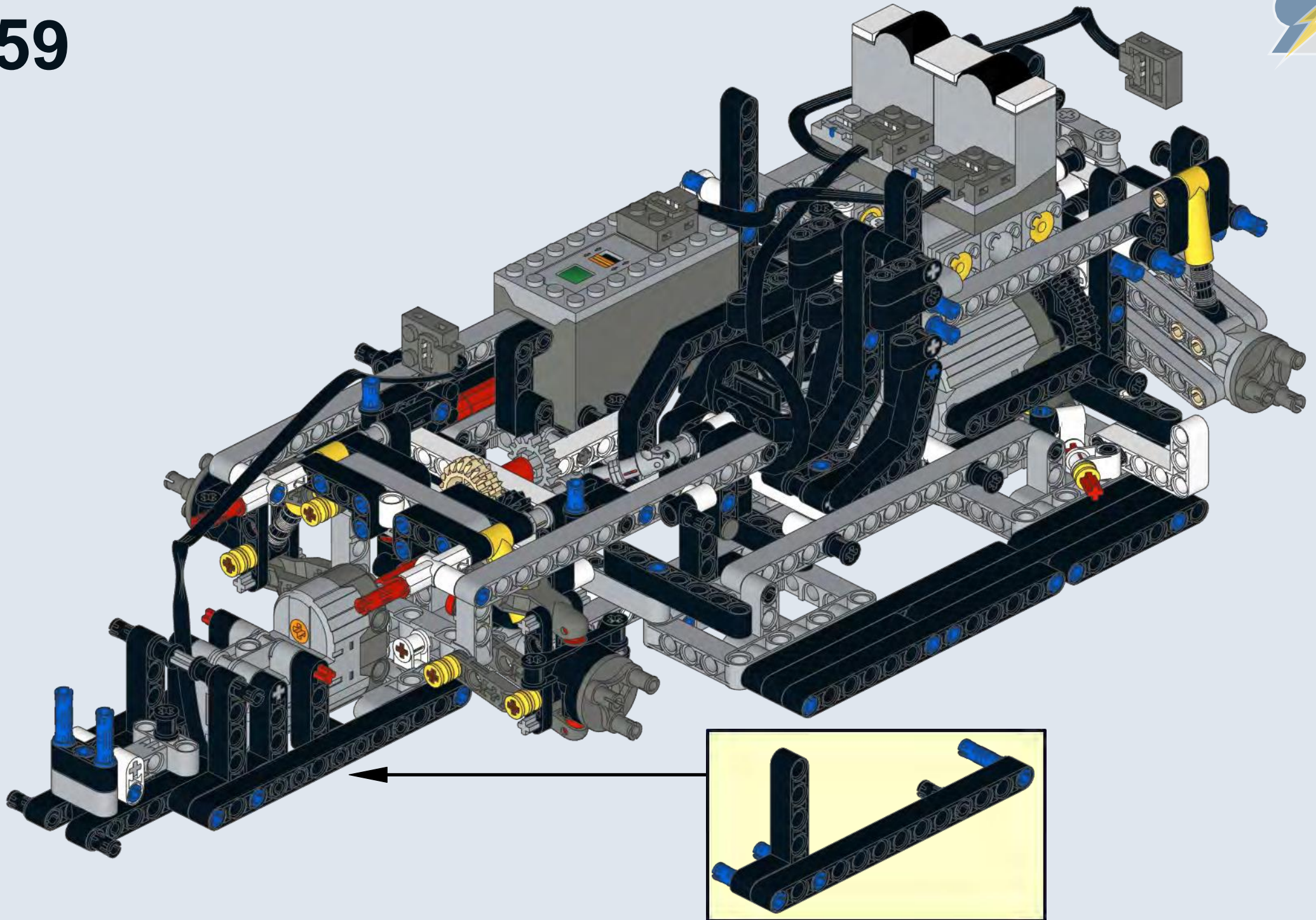


2



3

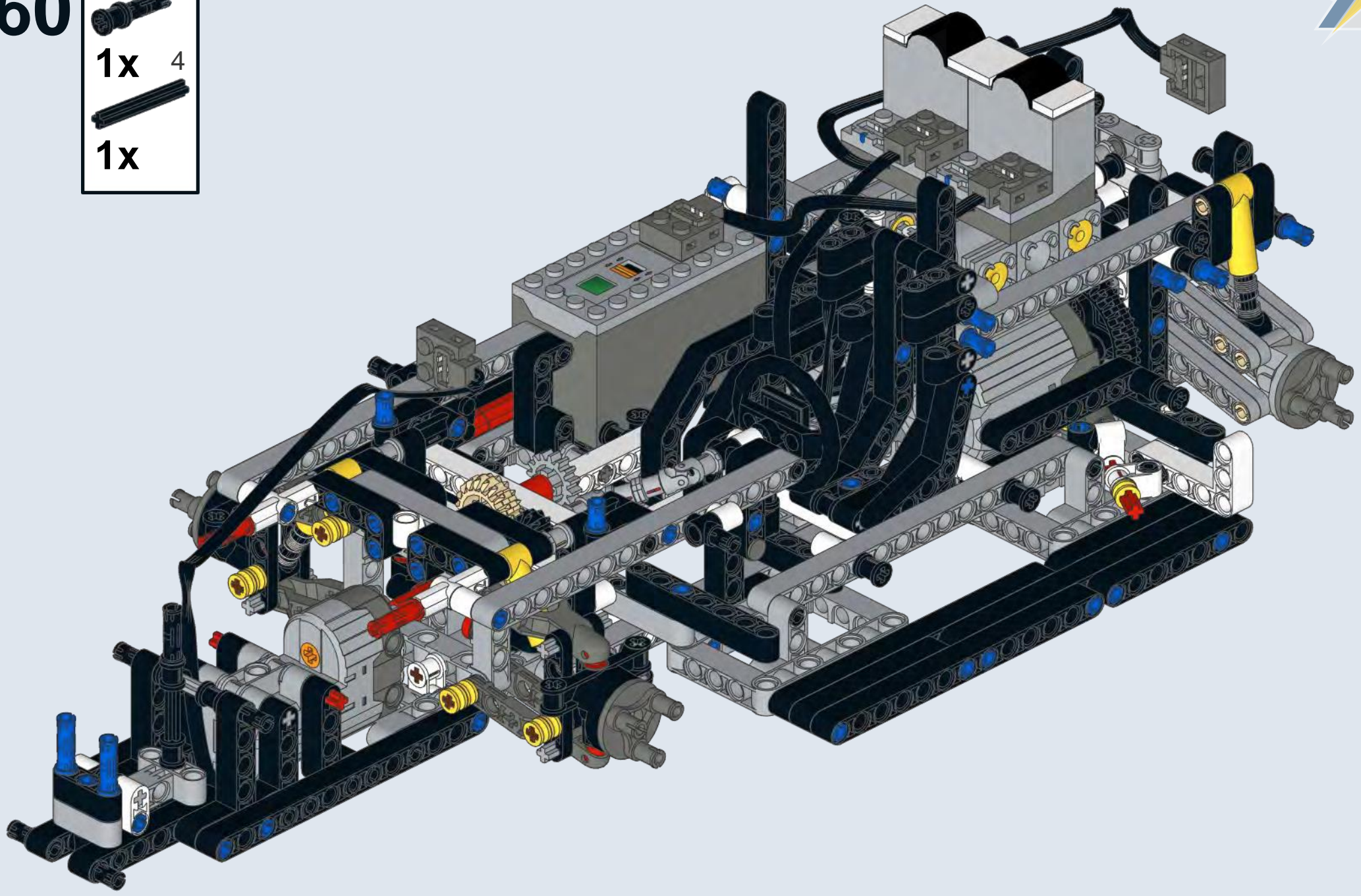


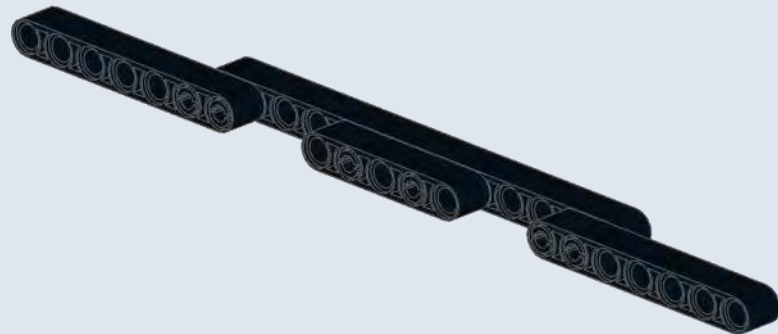
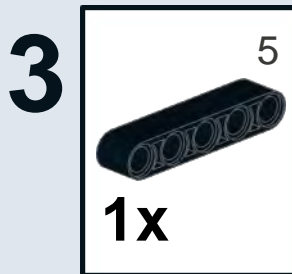
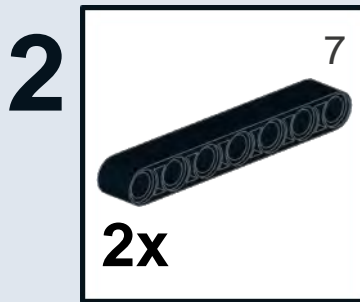
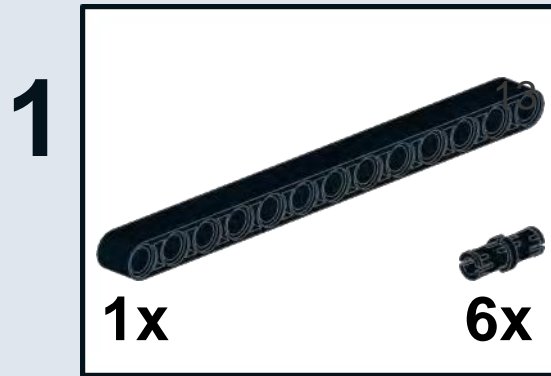


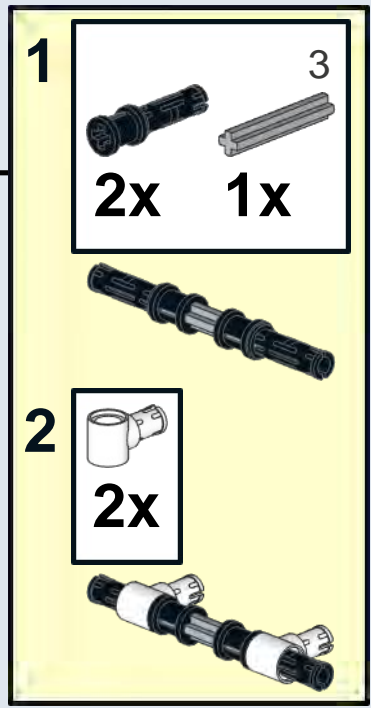
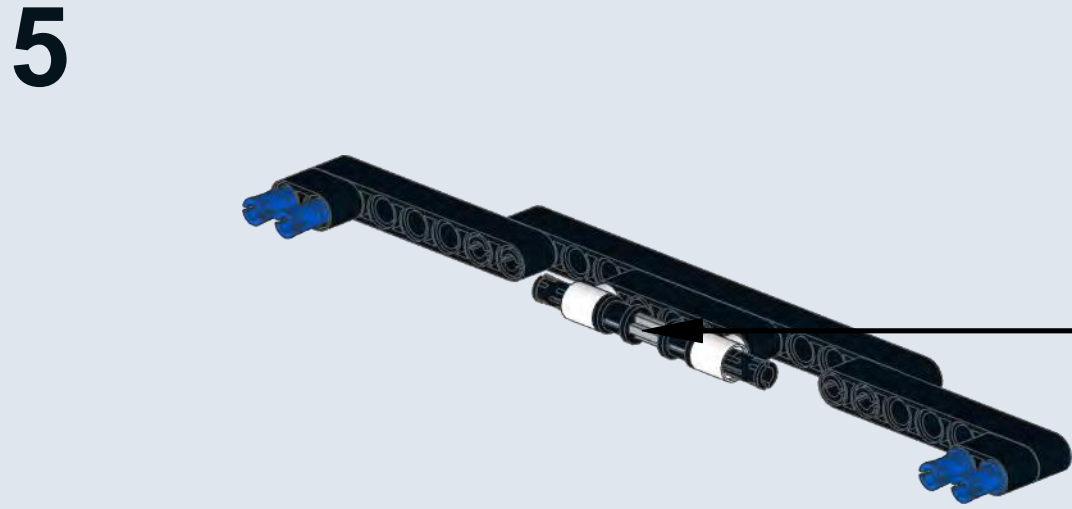
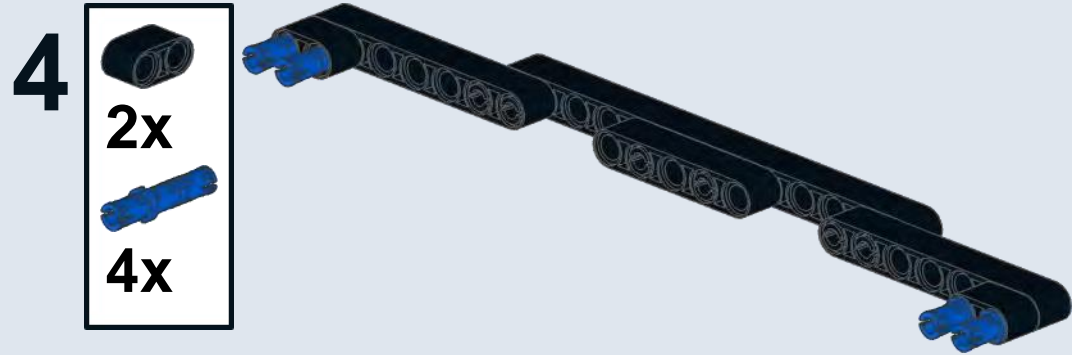
160


1x 4

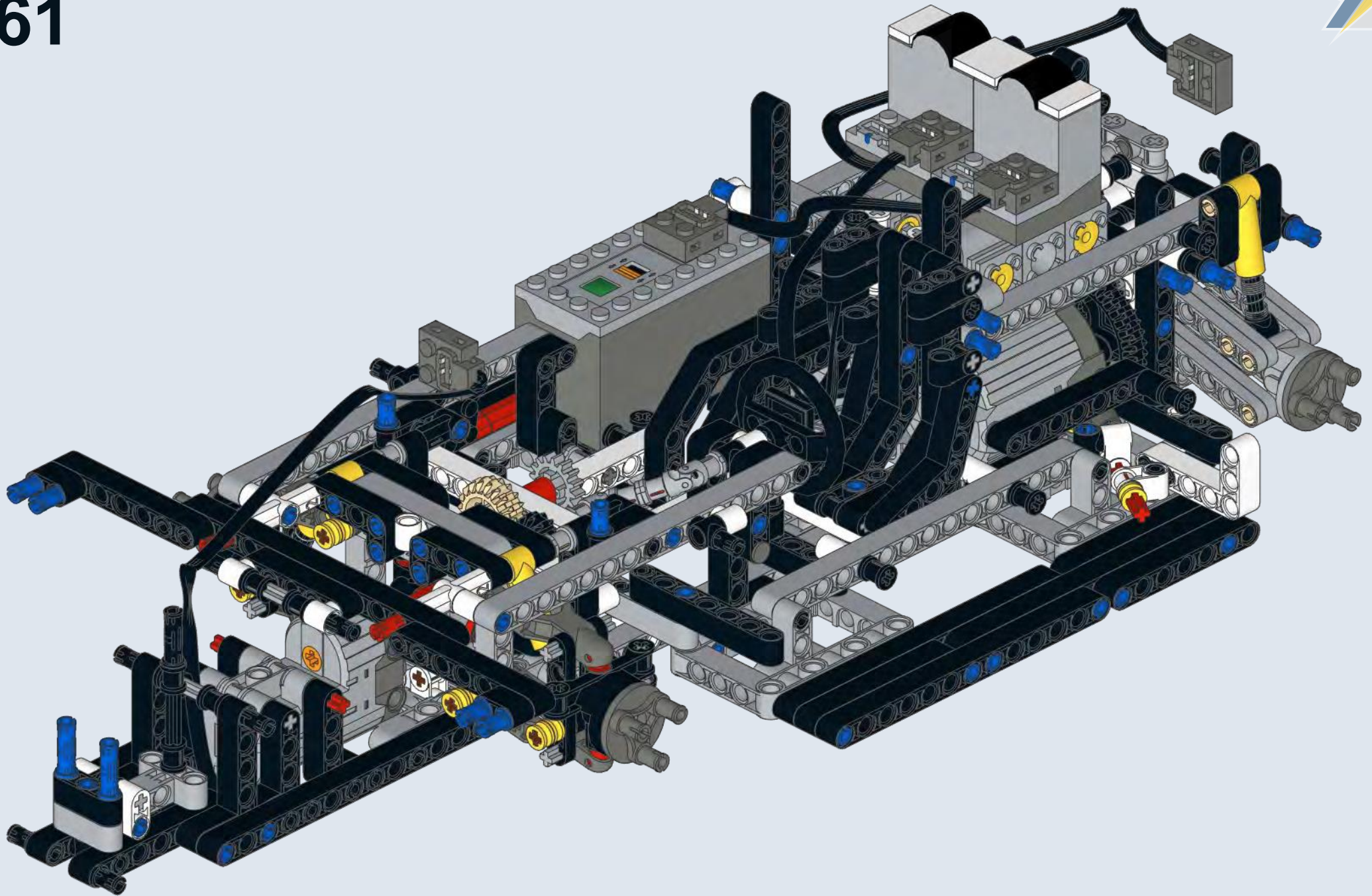
1x





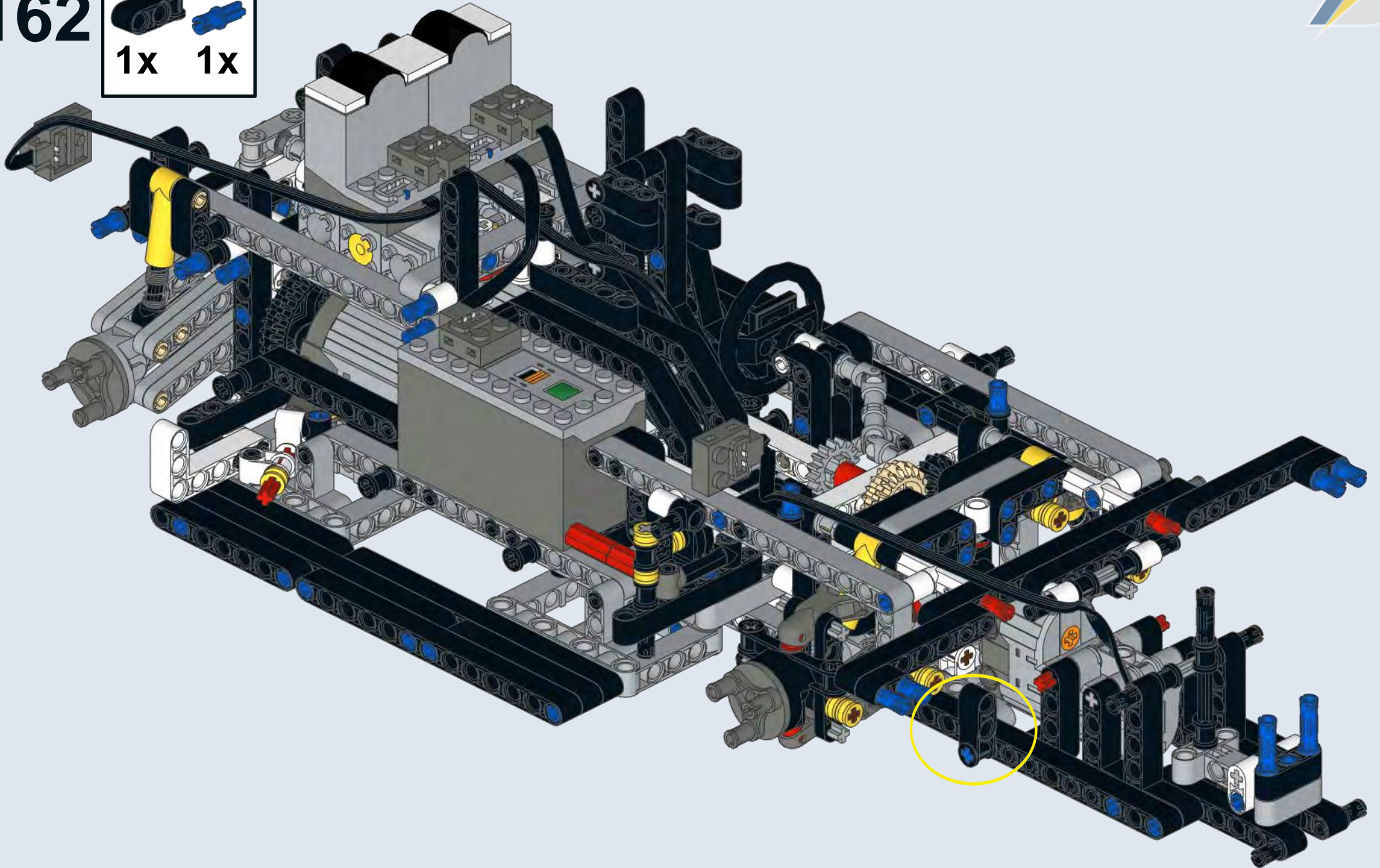
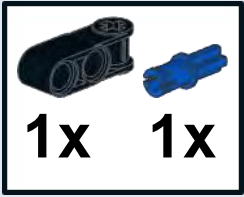


161



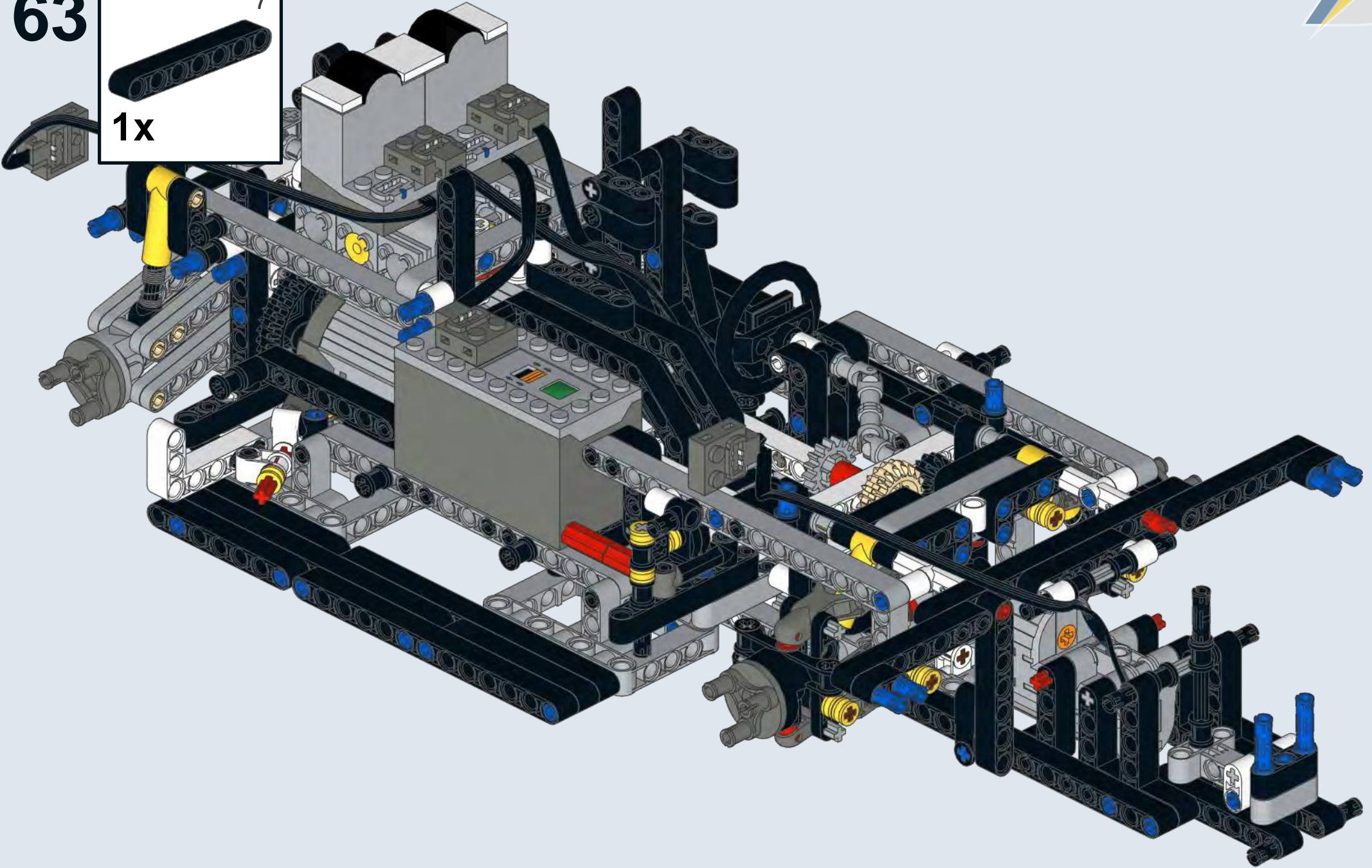
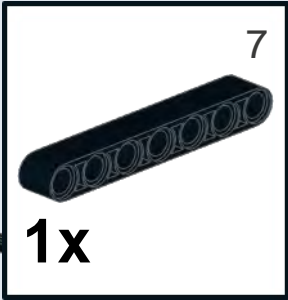


162



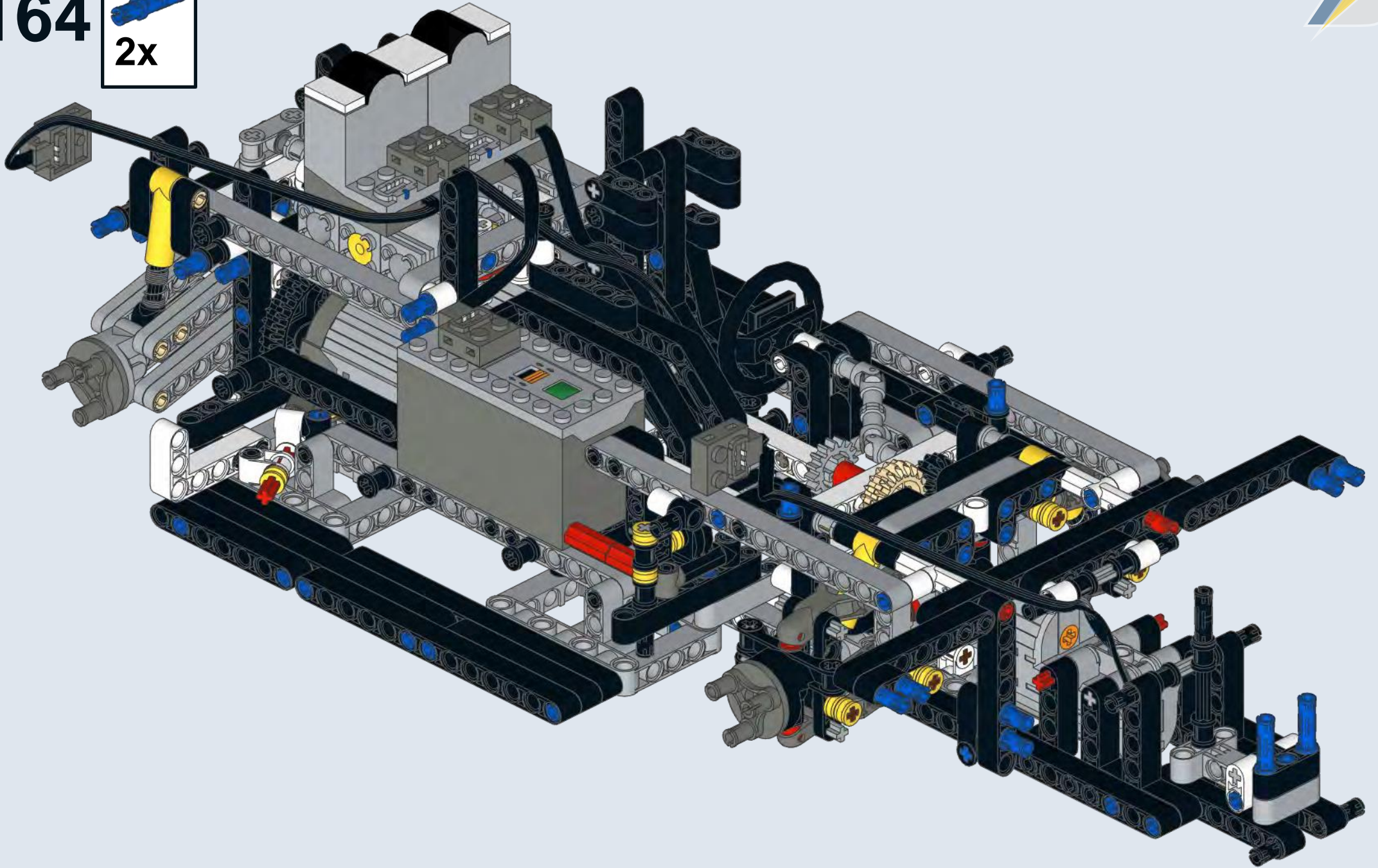


163



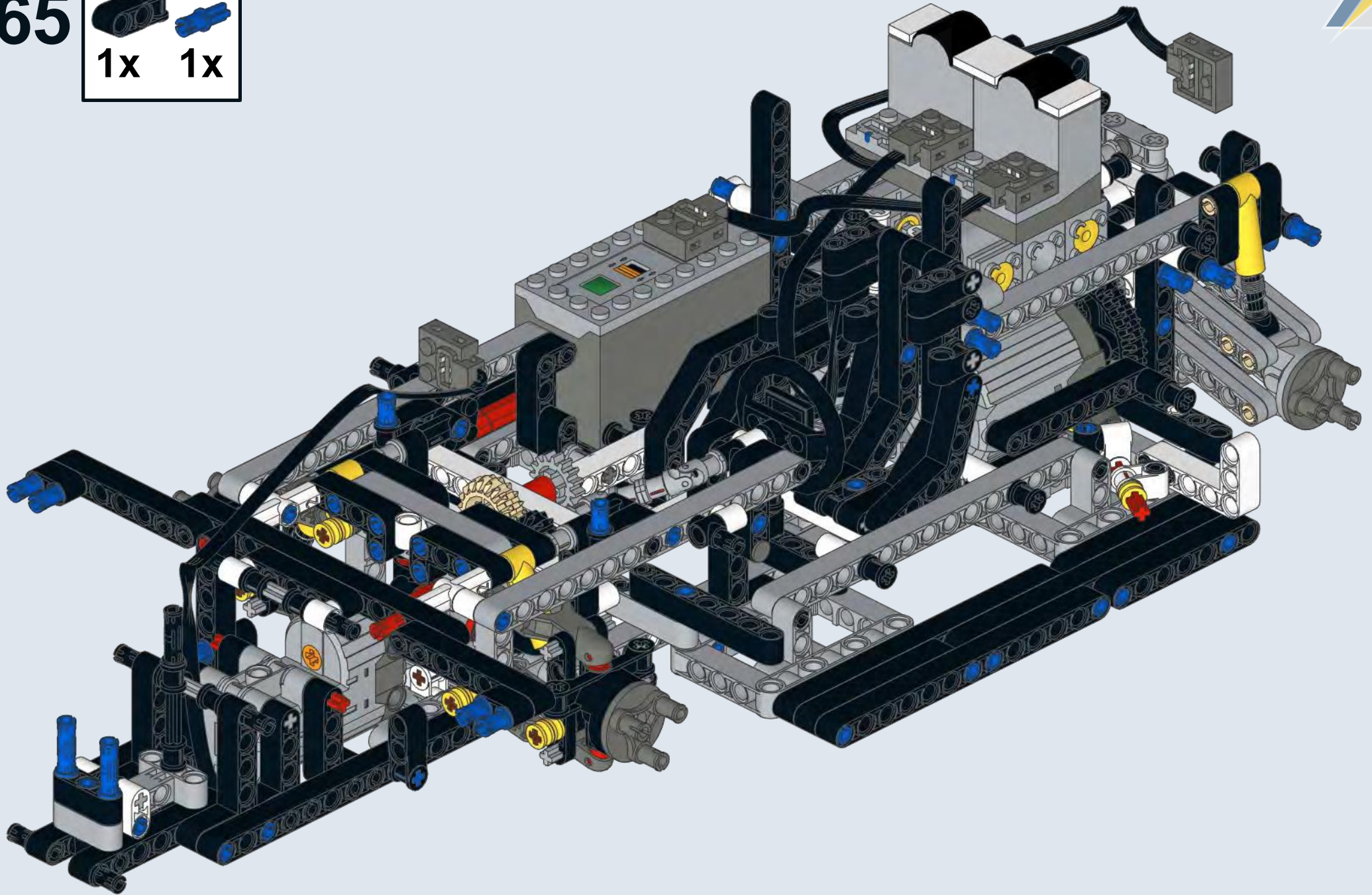
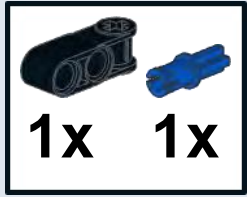


164

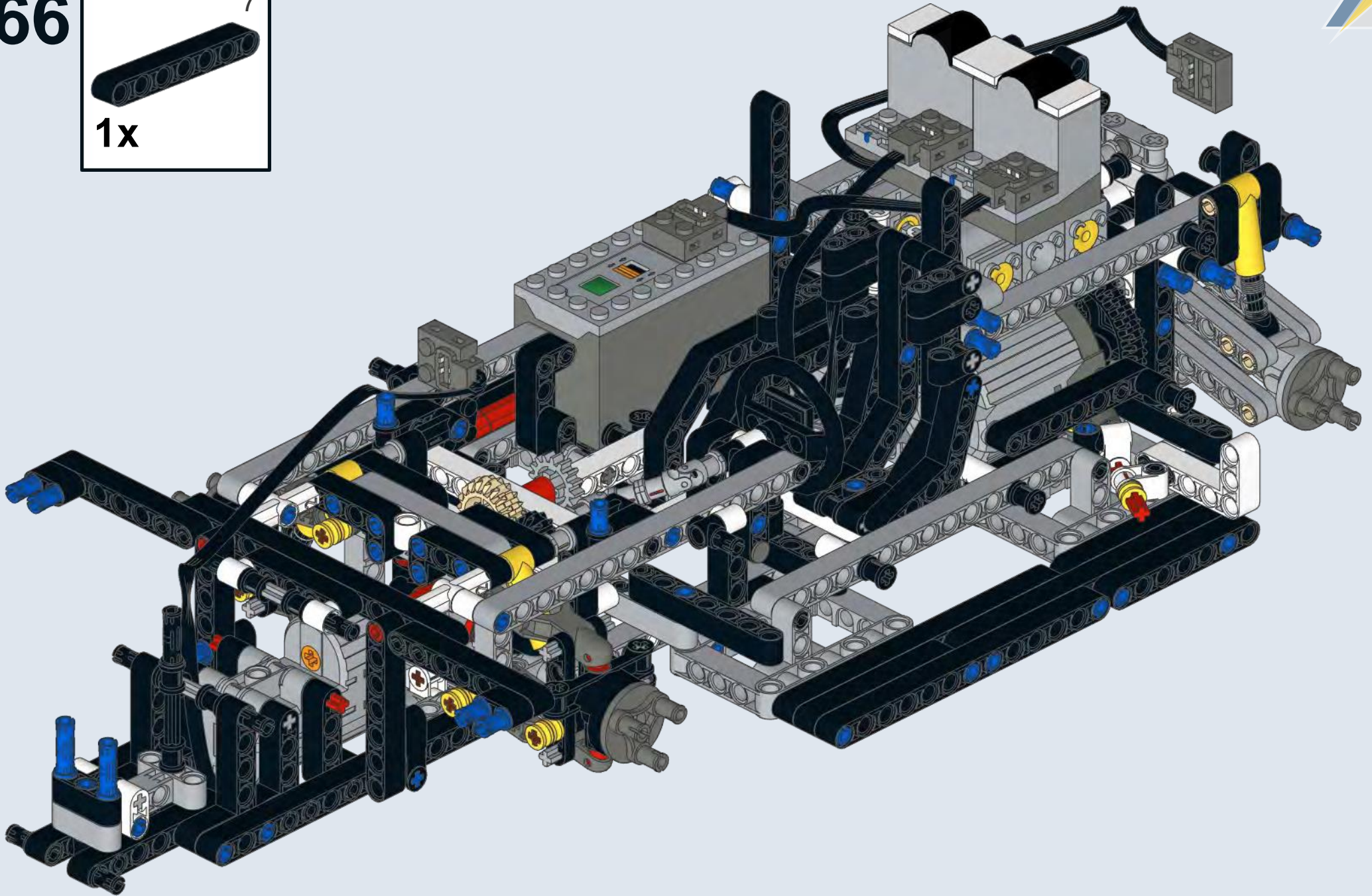
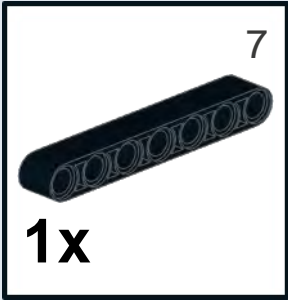




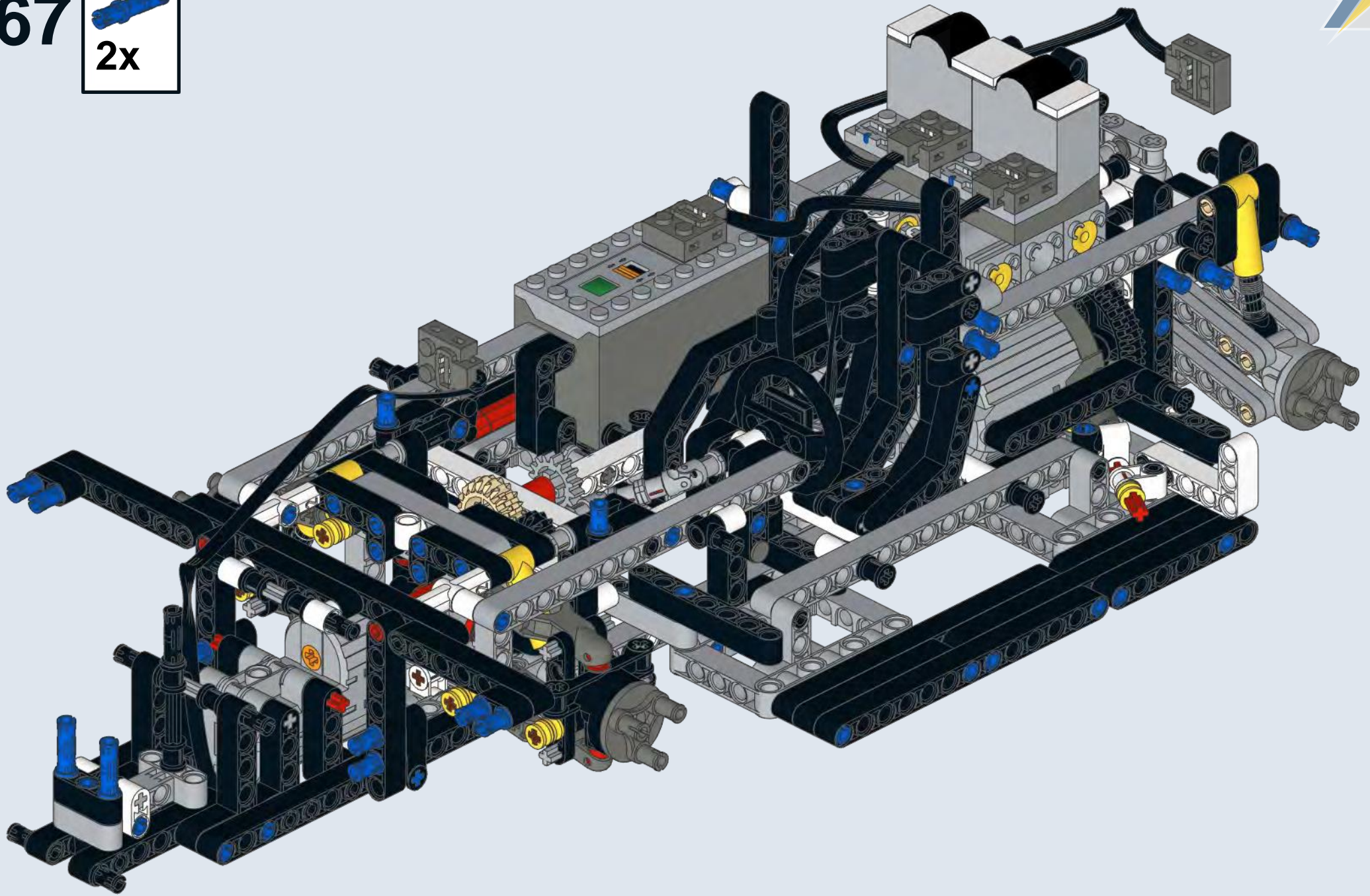
165



166

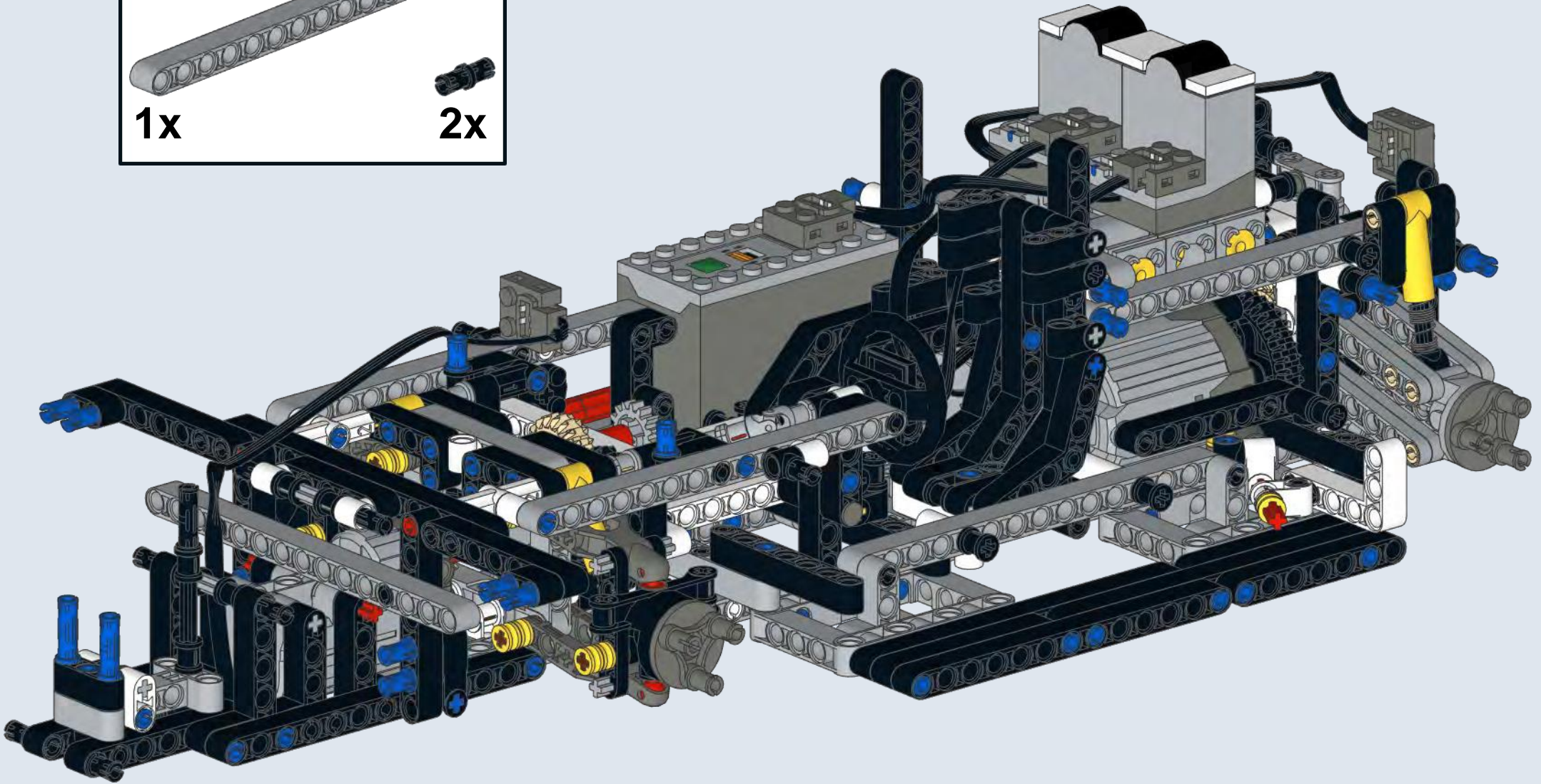
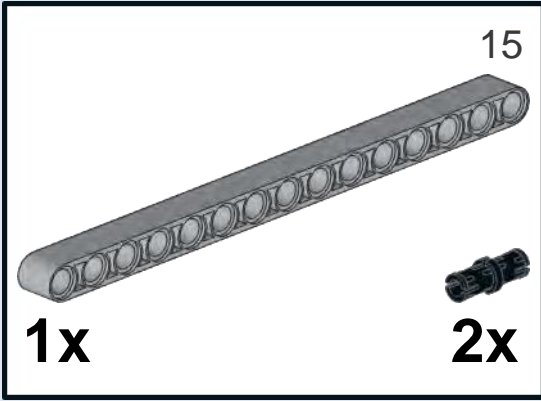


167

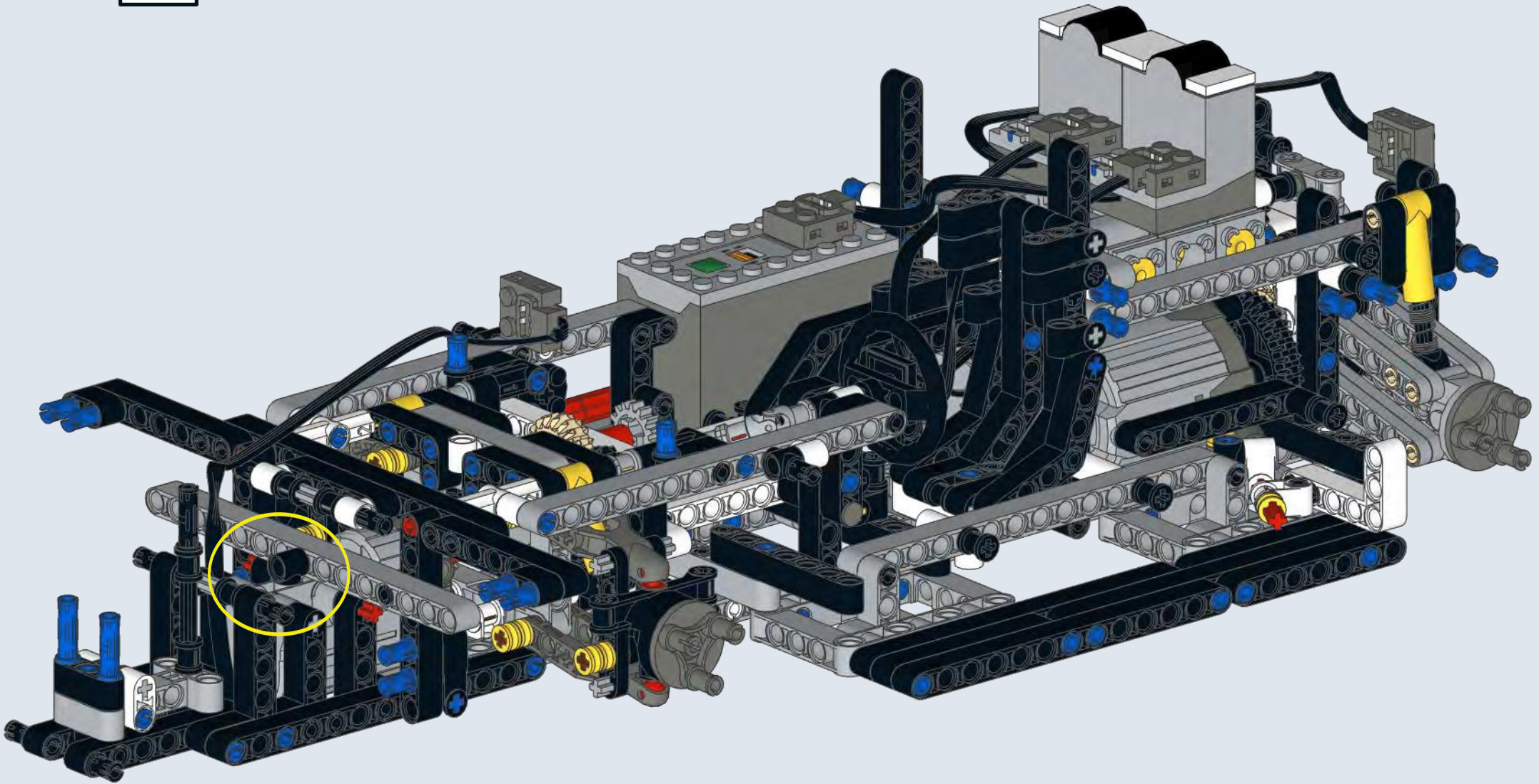




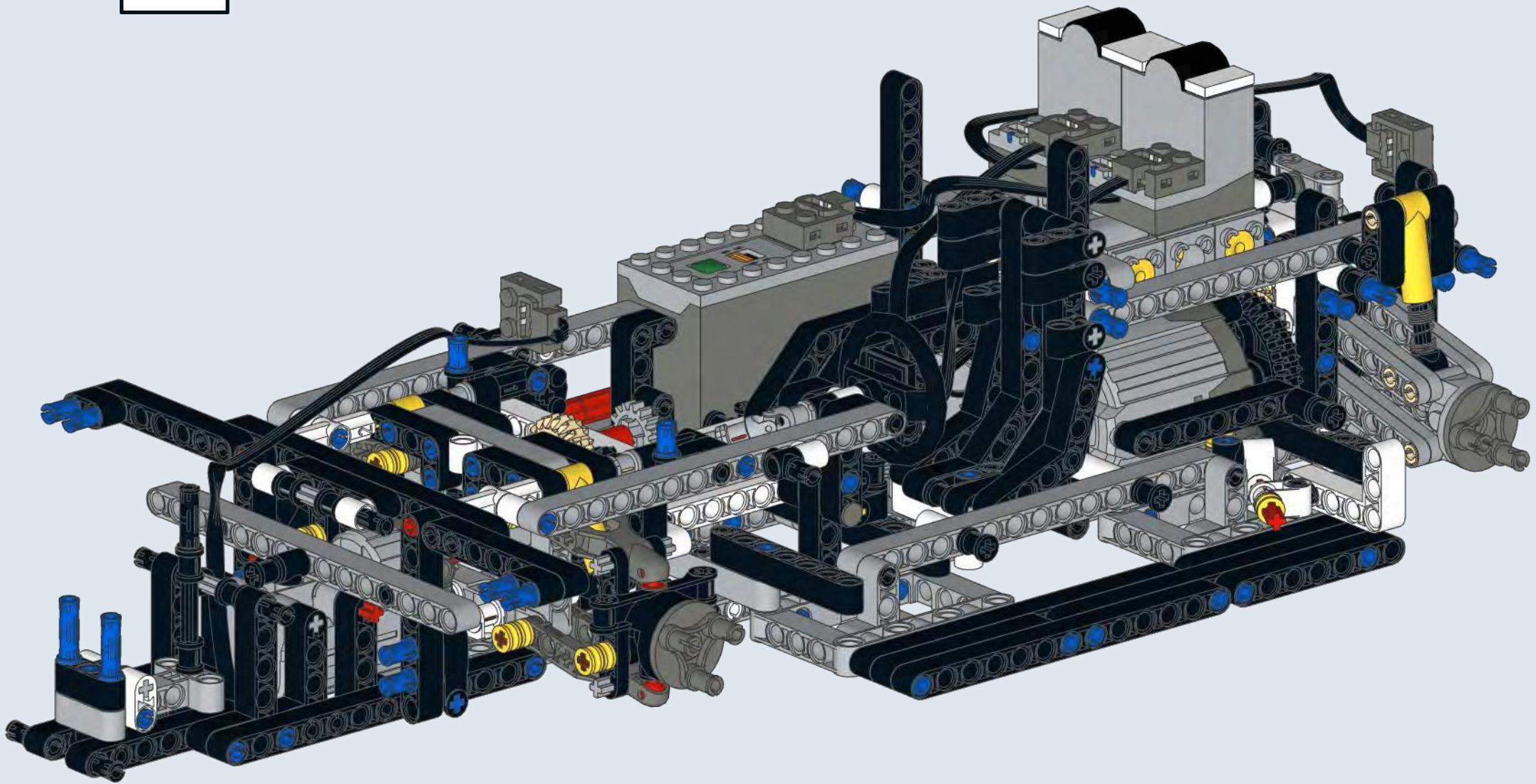
168



169

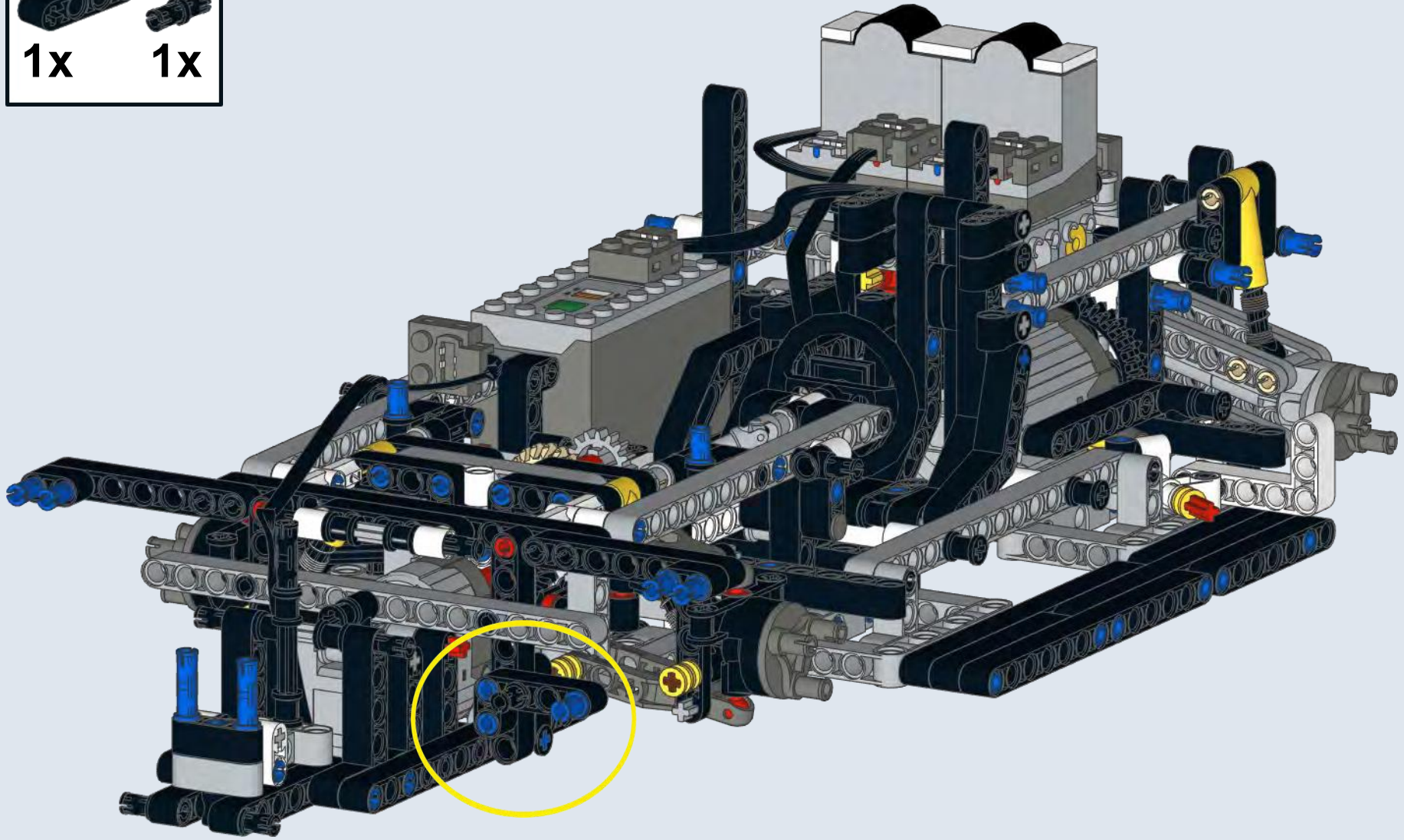
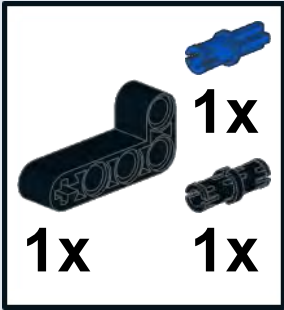


170



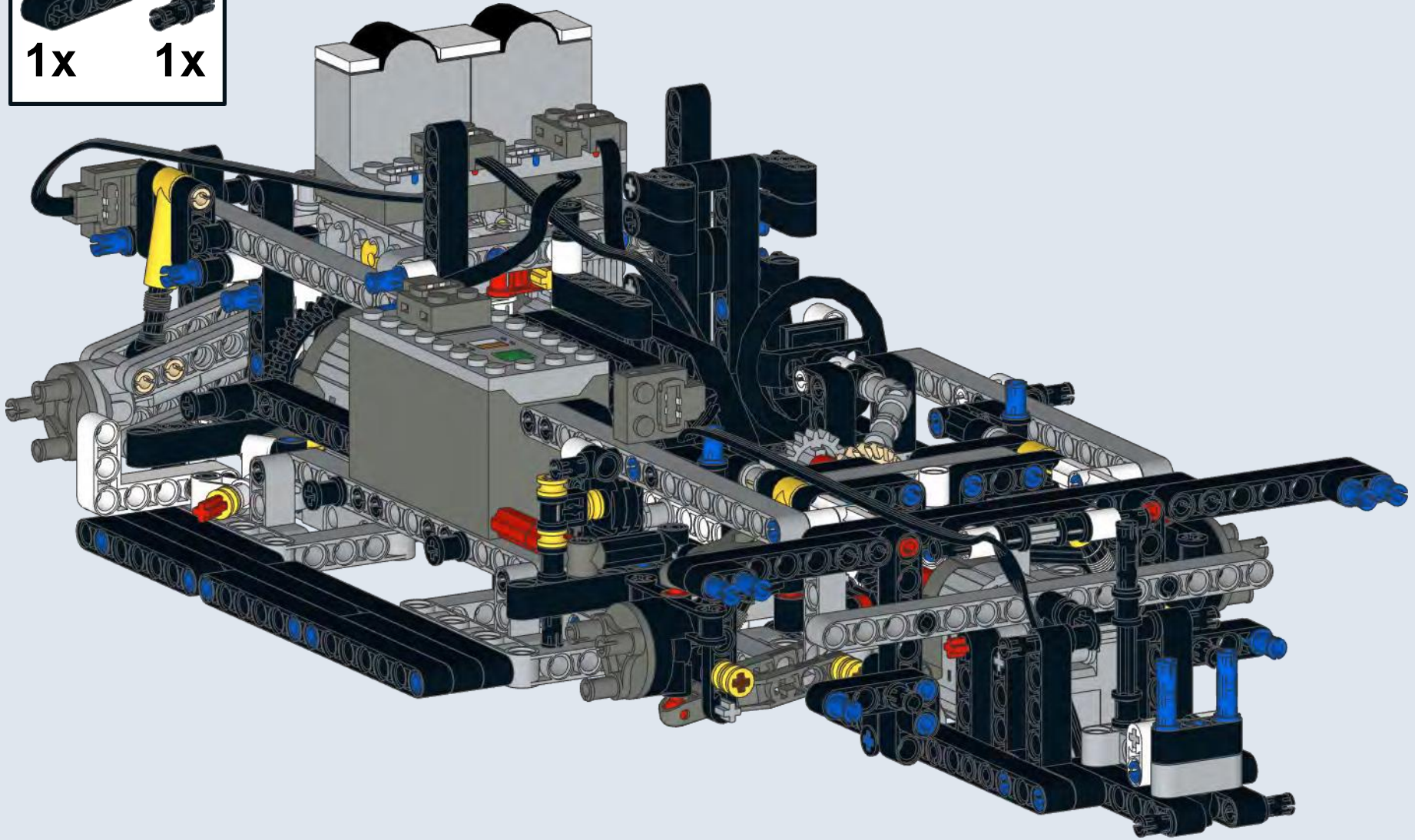
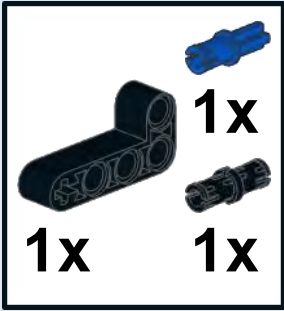


171





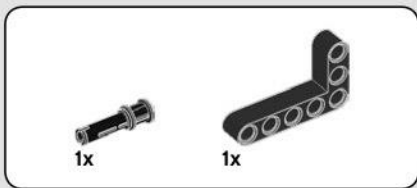
172



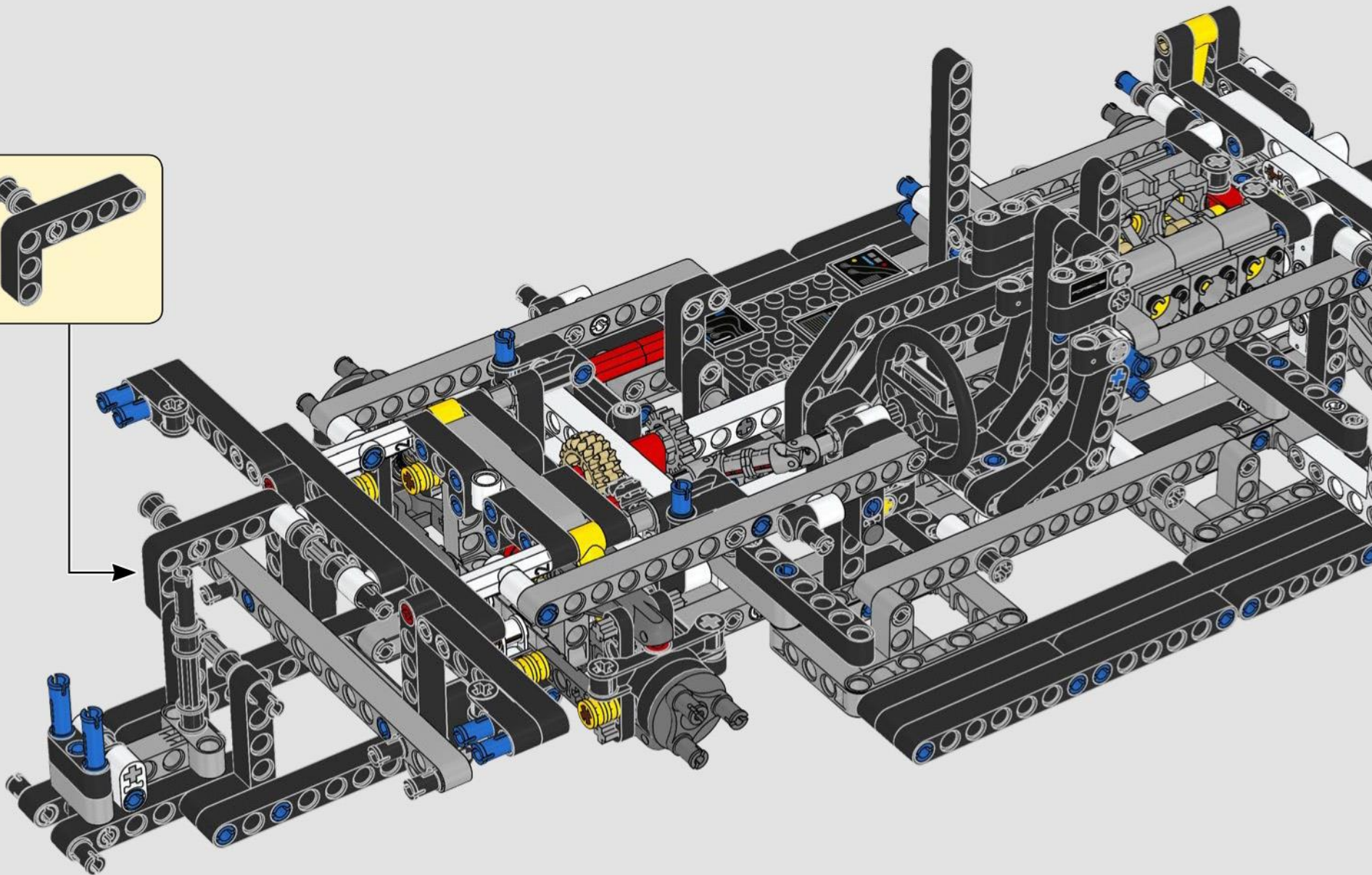


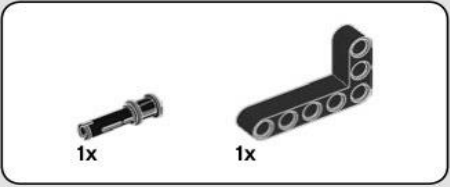
177-219

original steps

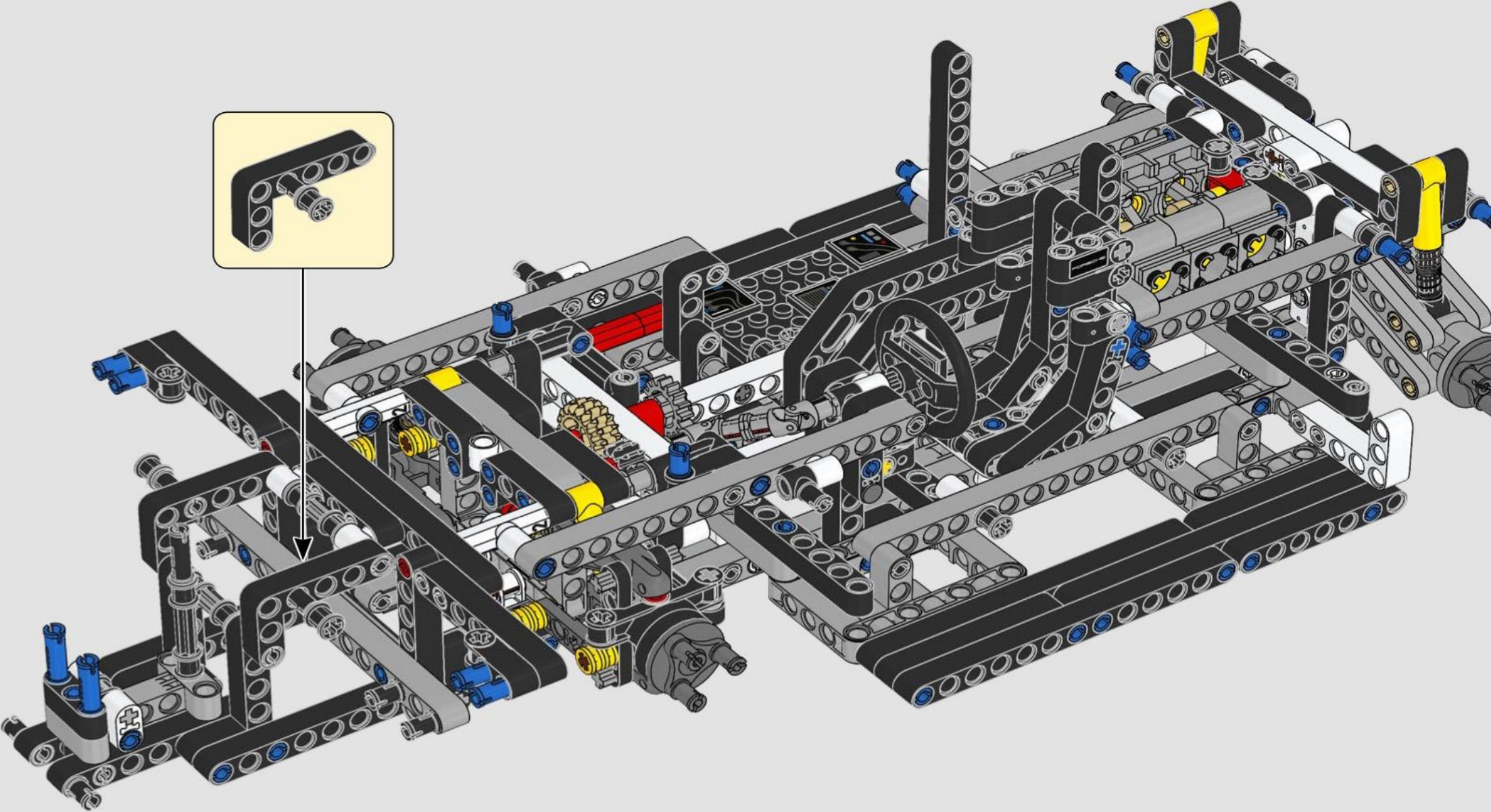


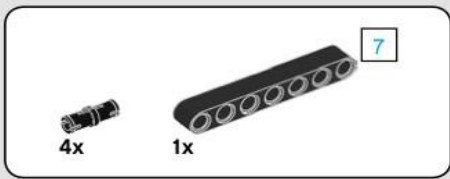
177



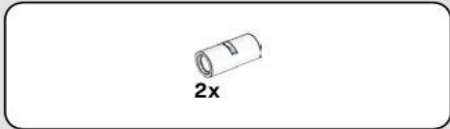
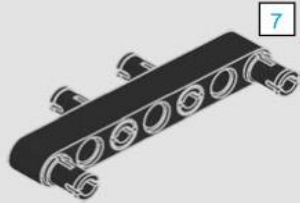


178

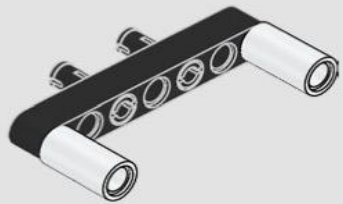




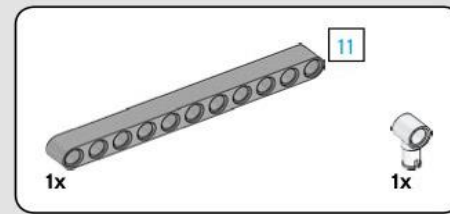
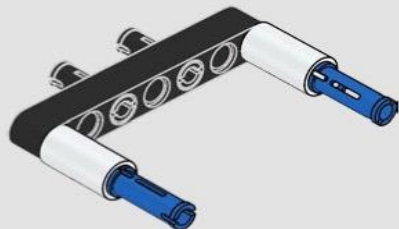
179



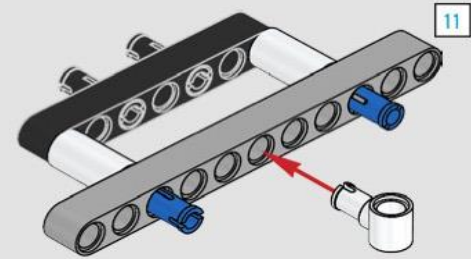
180



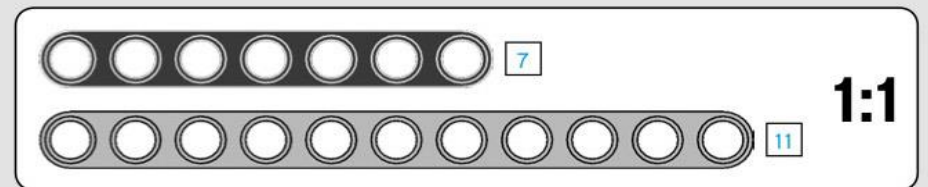
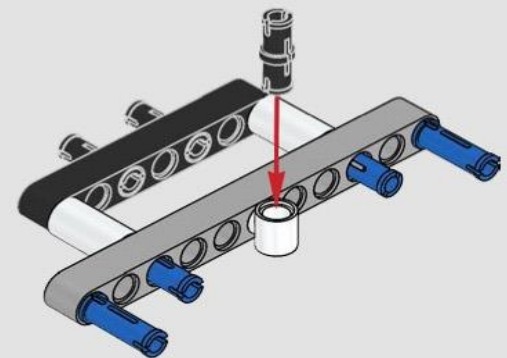
181

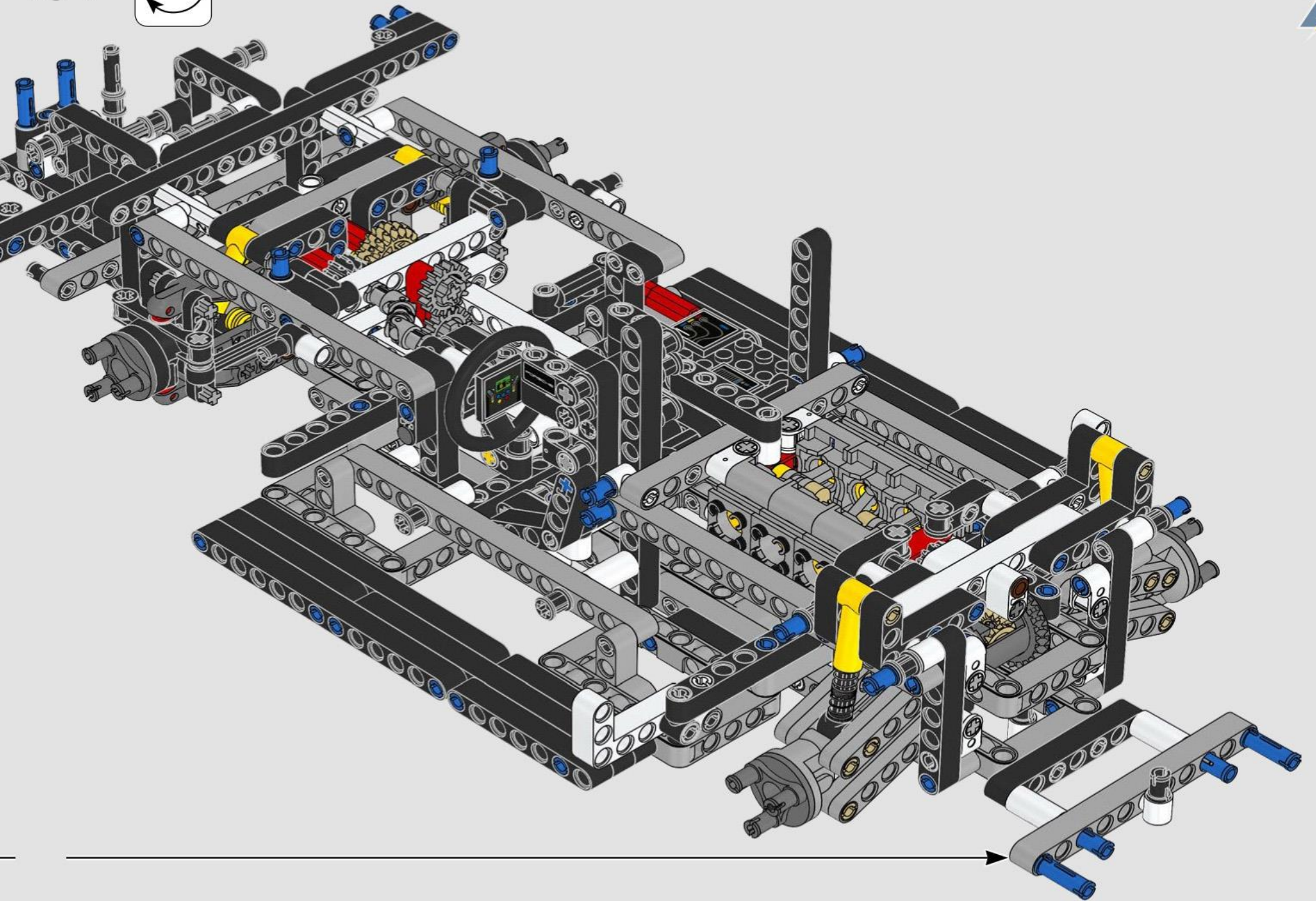


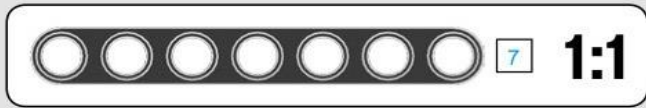
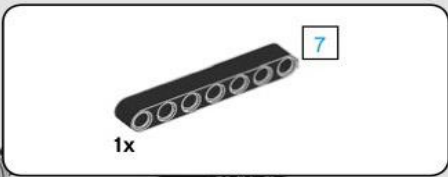
182



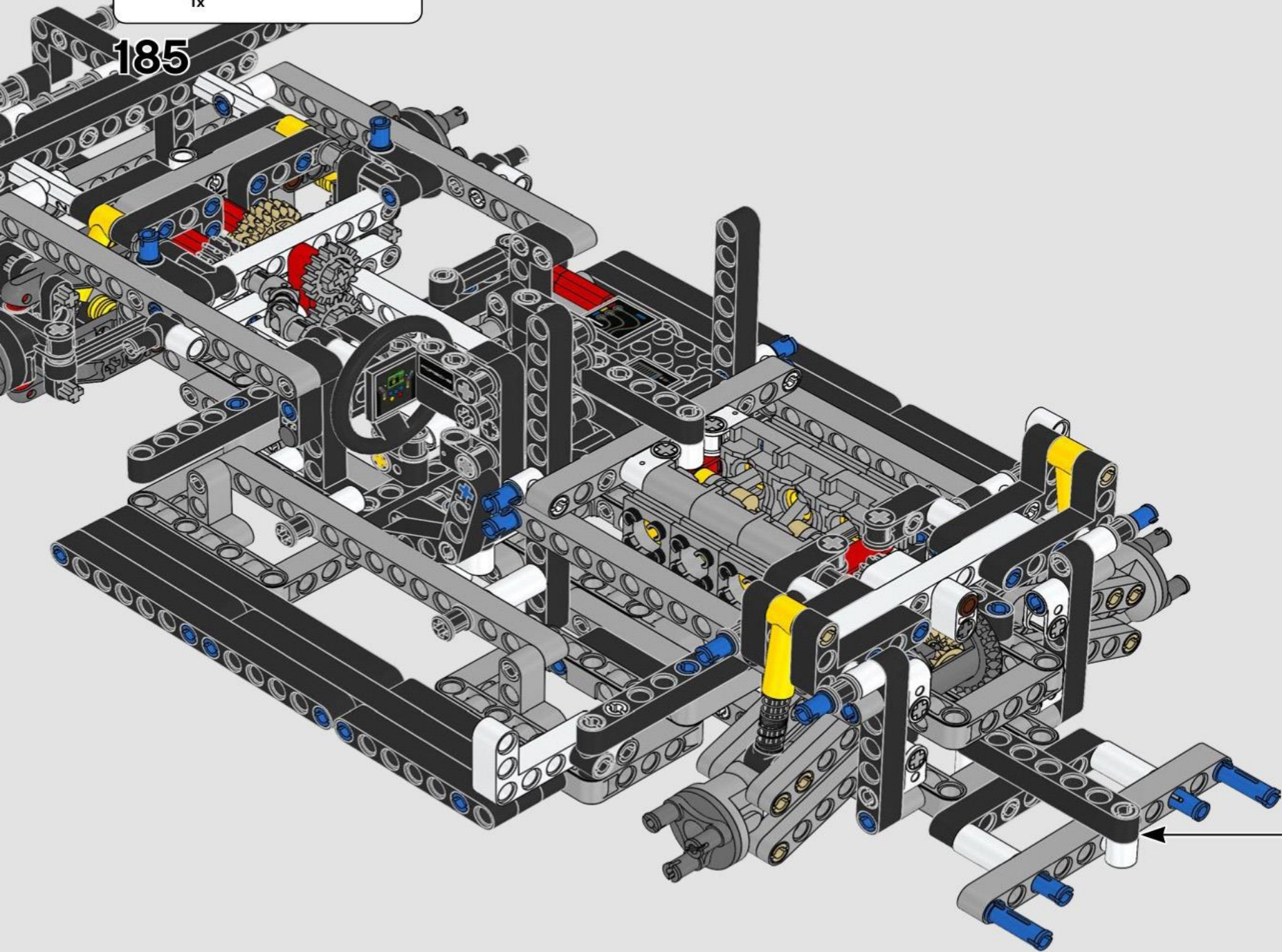
183

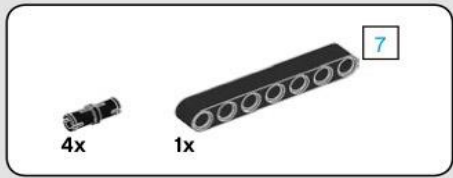




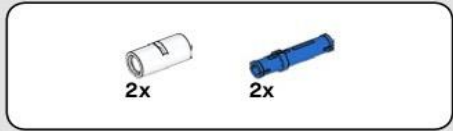
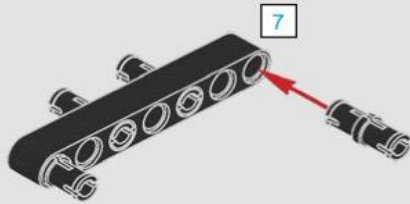


185

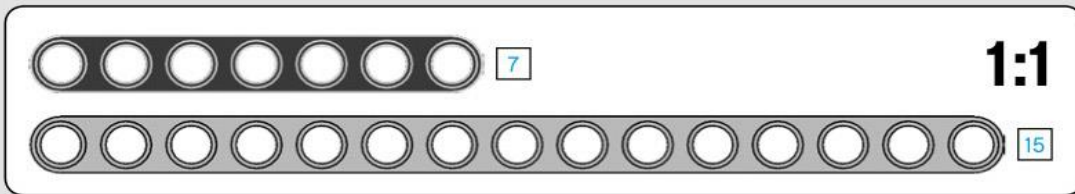
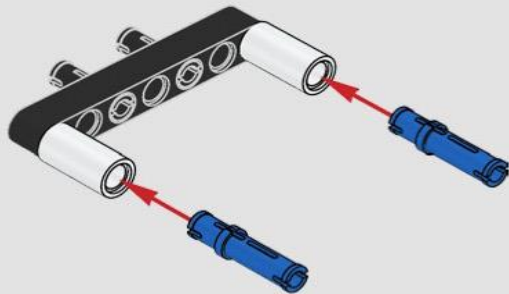




186

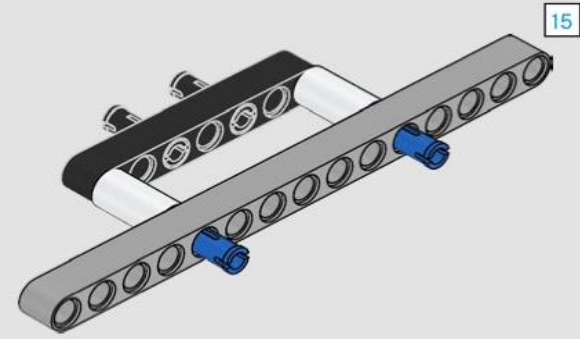
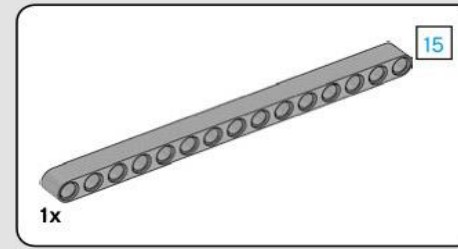


187

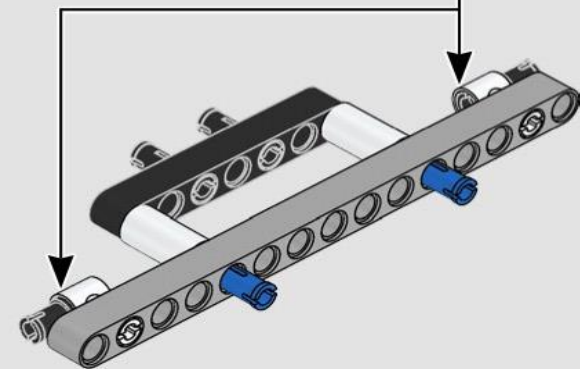
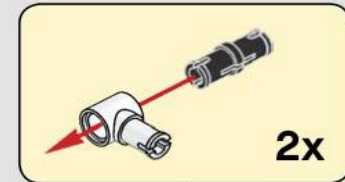


1:1

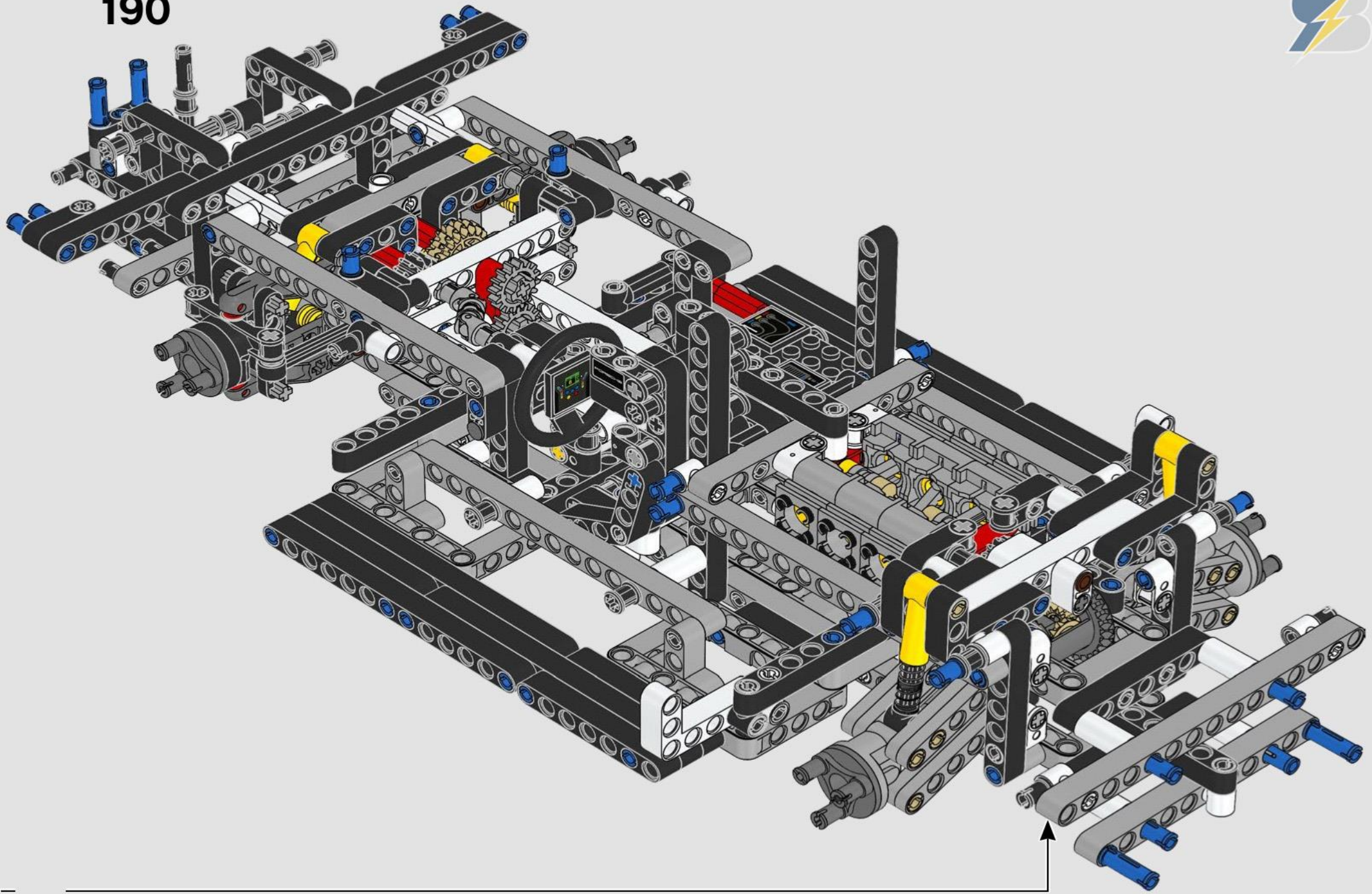
188

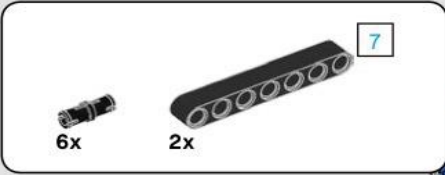


189

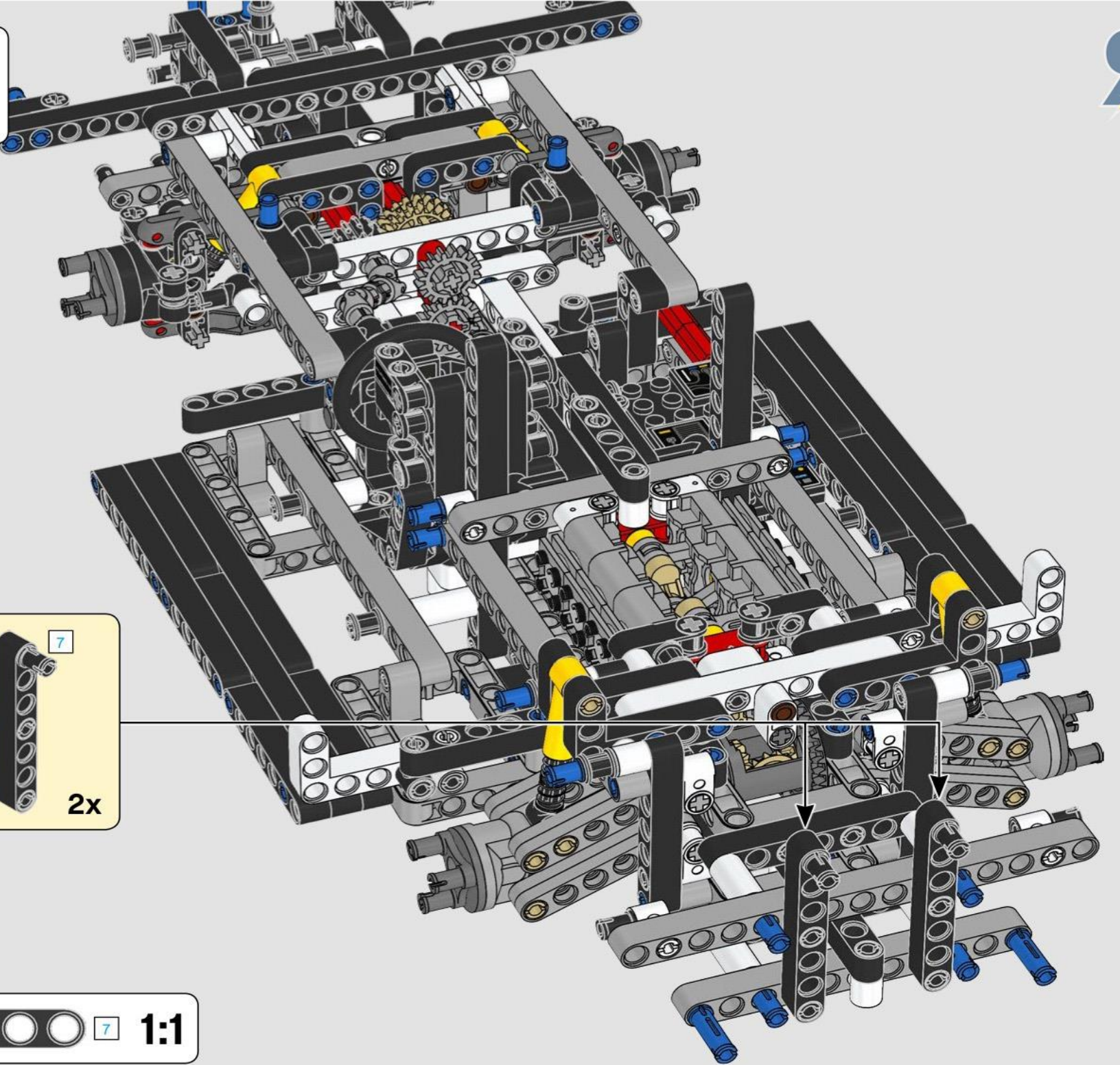
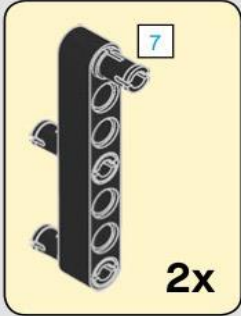


190








191



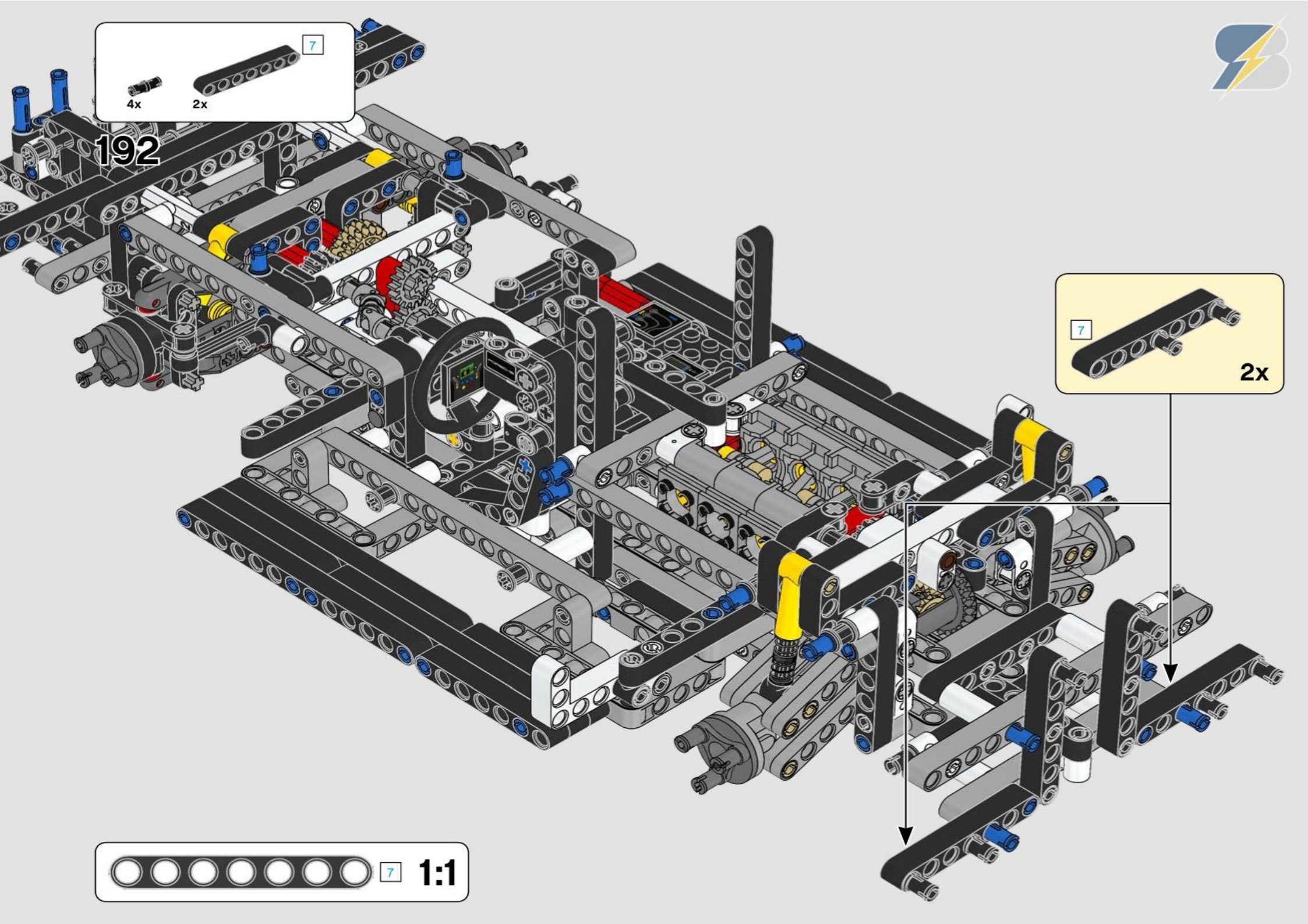


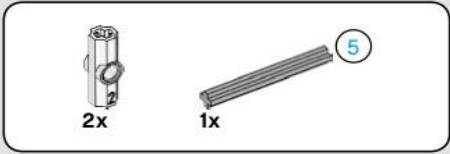
4x  2x  7

192

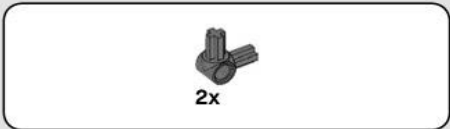
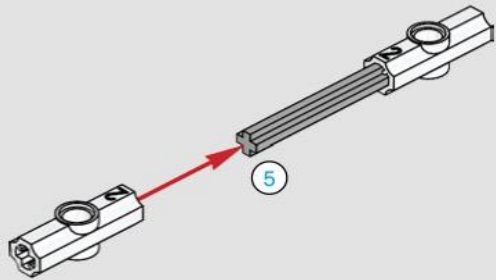
7  2x

 7 1:1

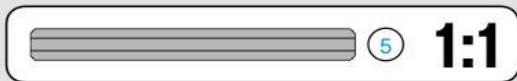
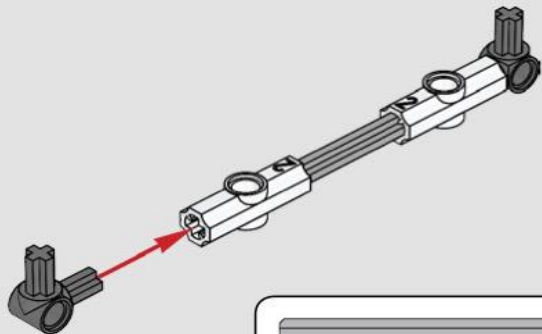




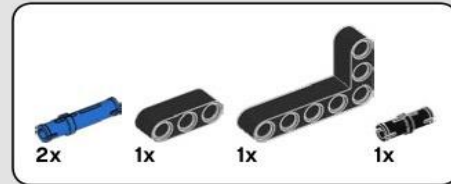
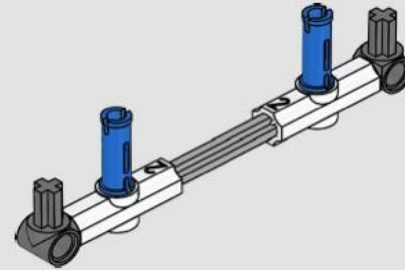
193



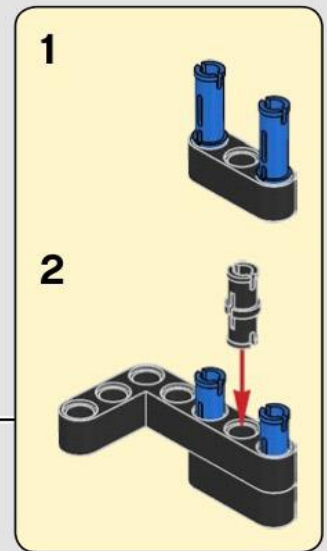
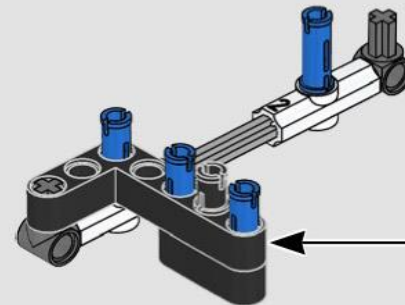
194

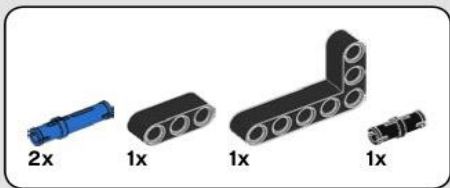


195

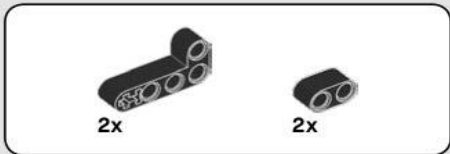
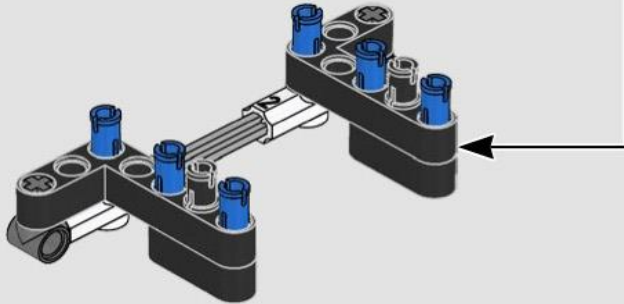
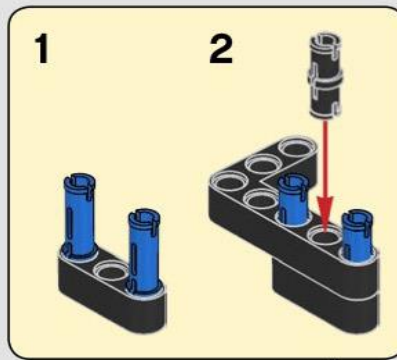


196

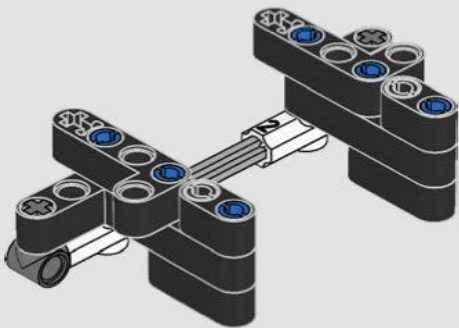




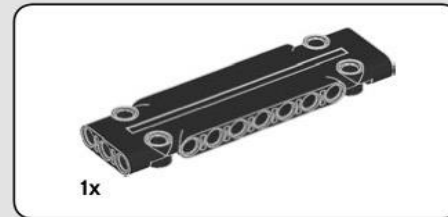
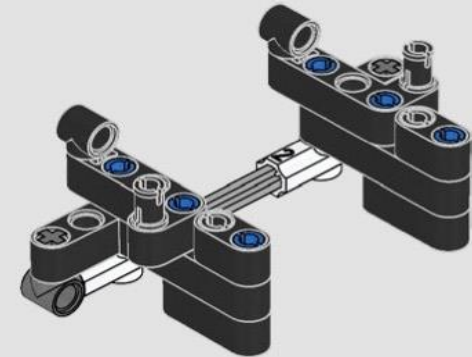
197



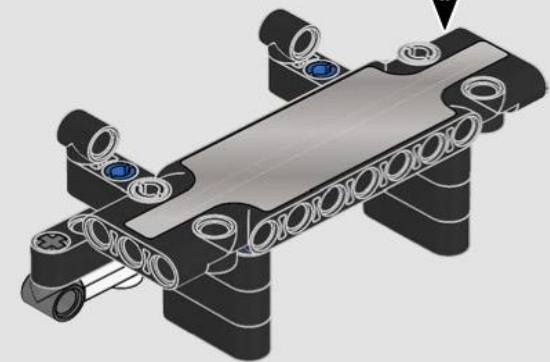
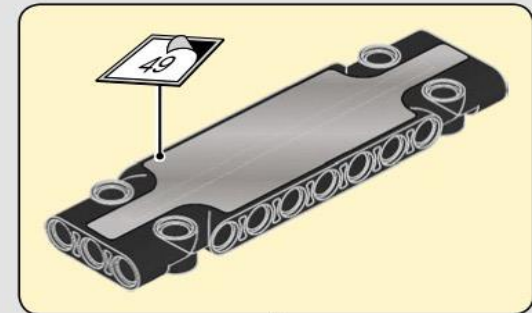
198



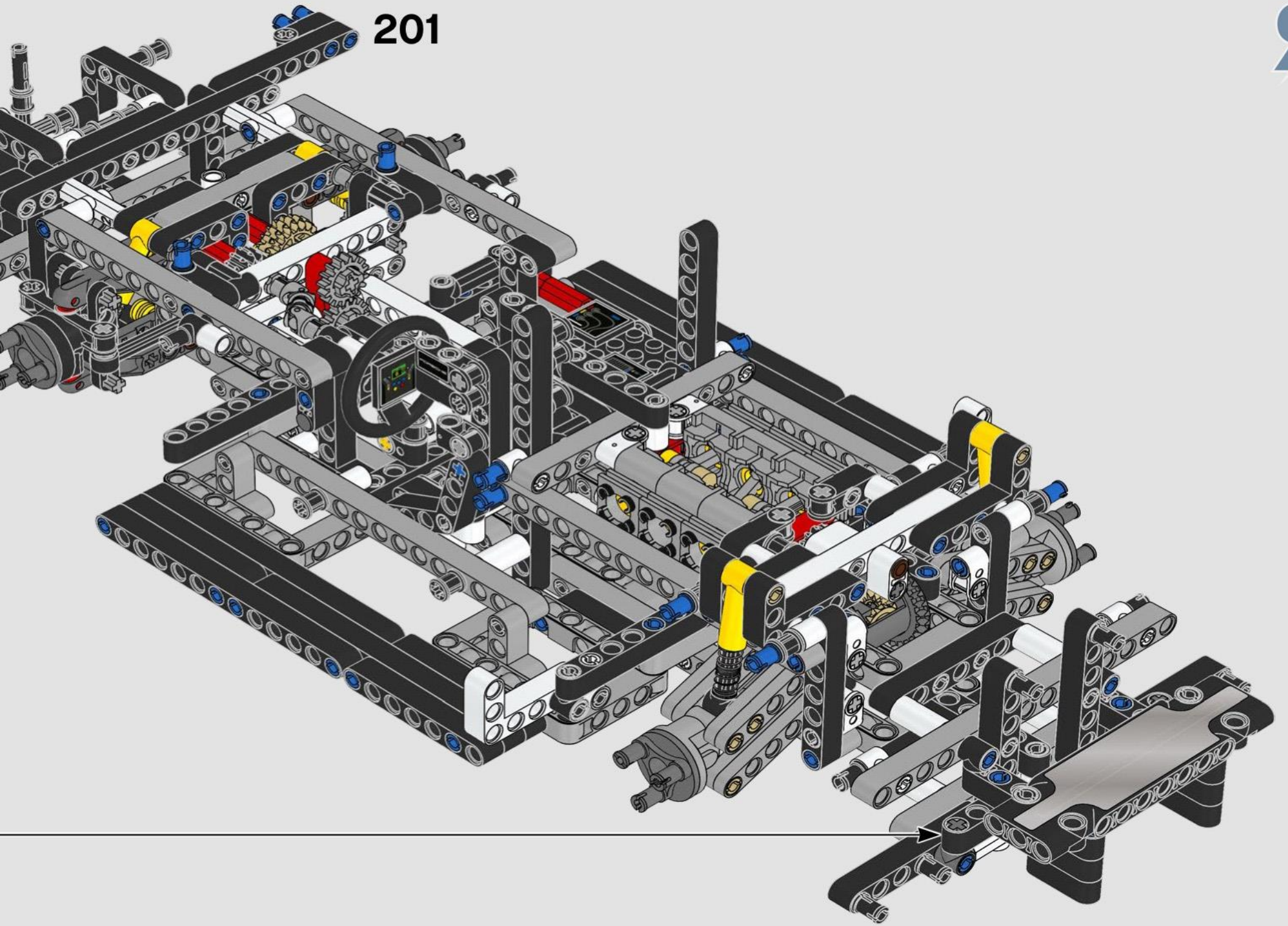
199



200



201

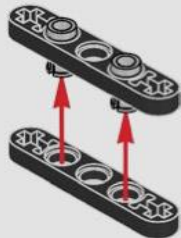




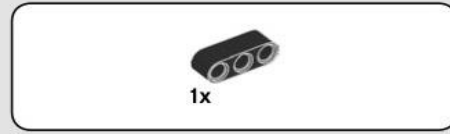
202



203

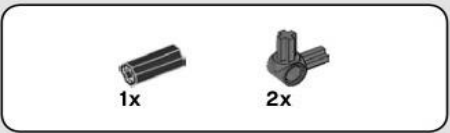


204

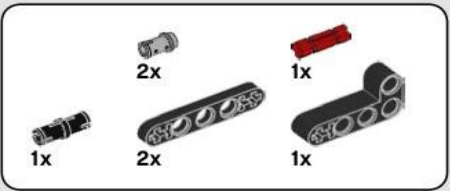
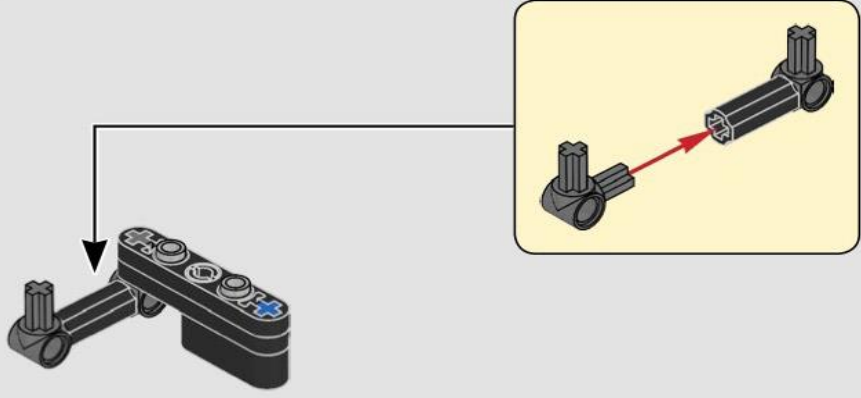


205

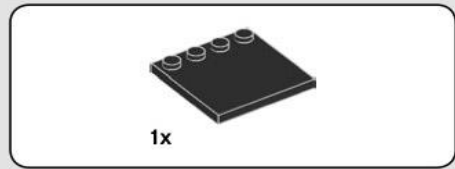
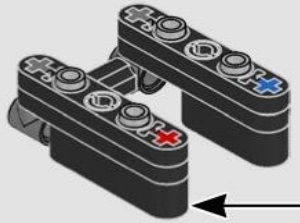
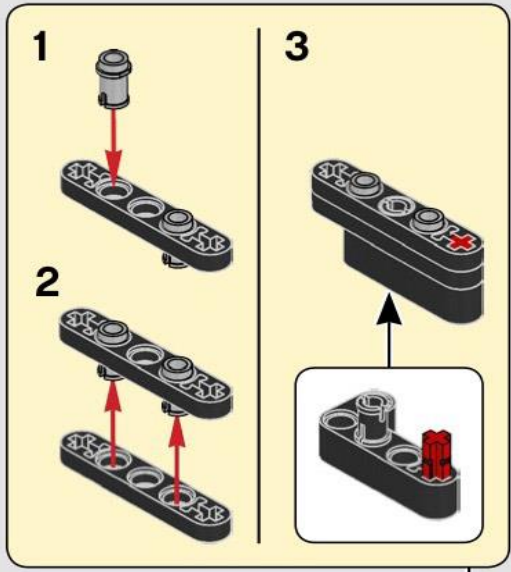




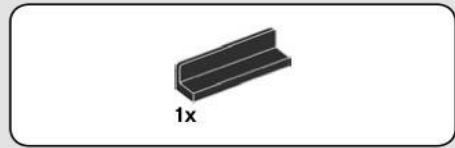
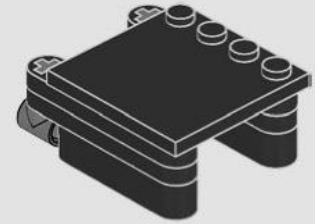
206



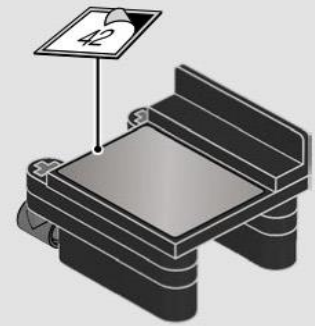
207



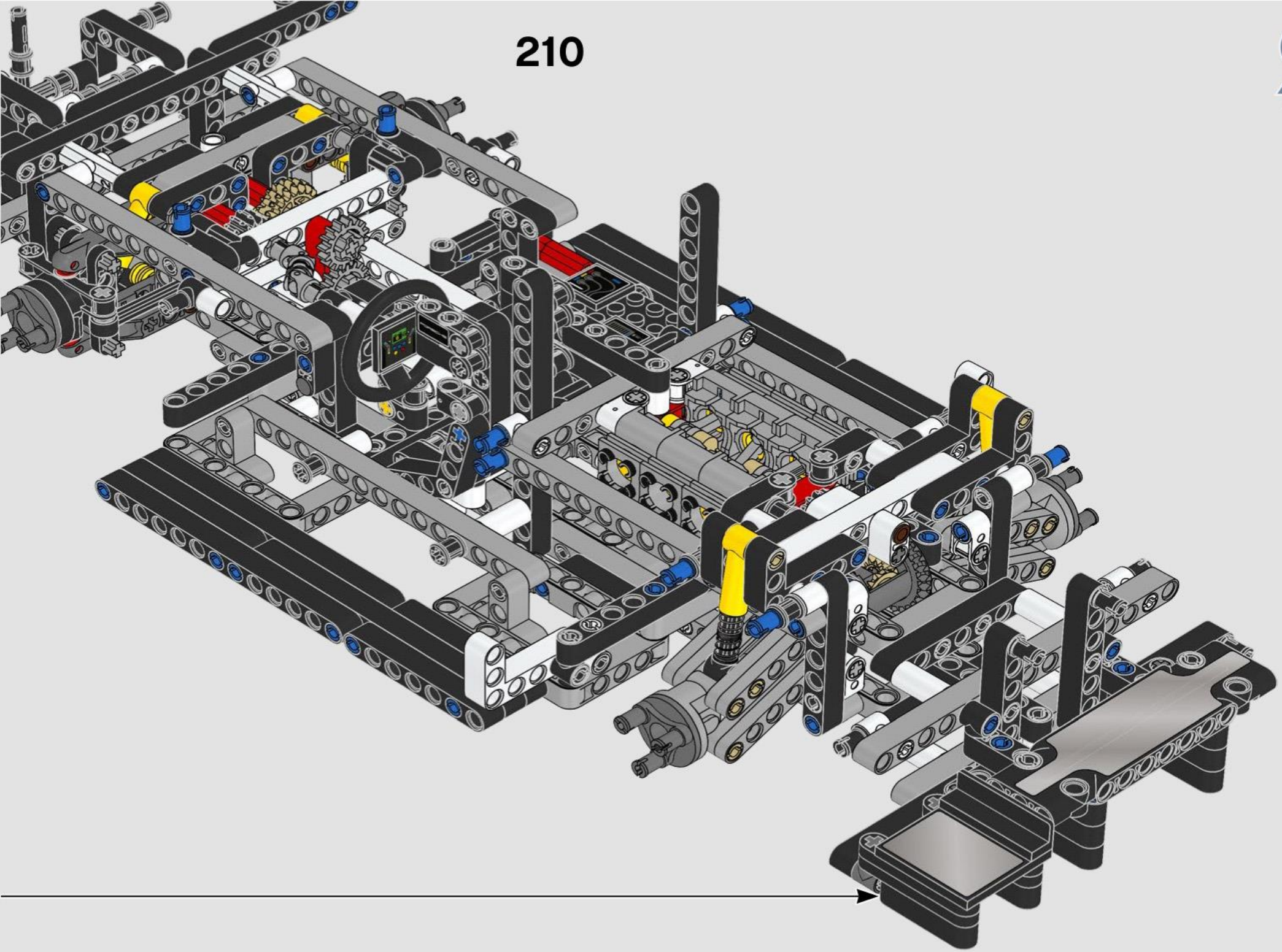
208

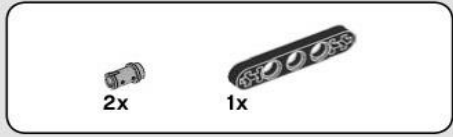


209



210

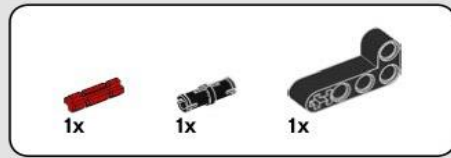
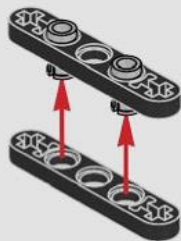




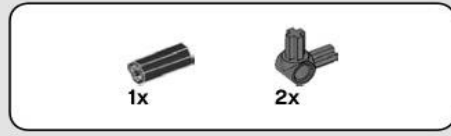
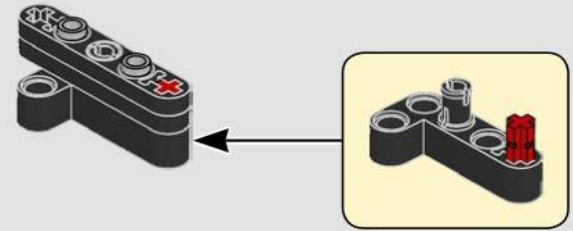
211



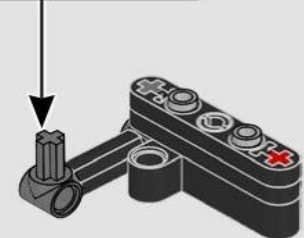
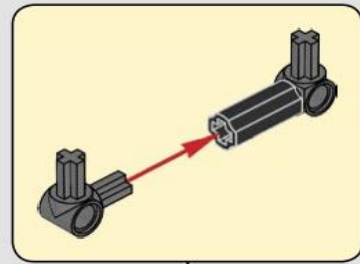
212

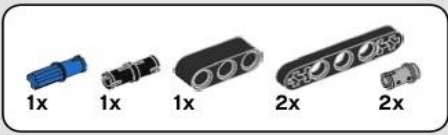


213

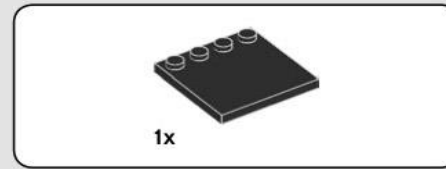
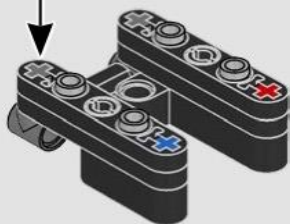
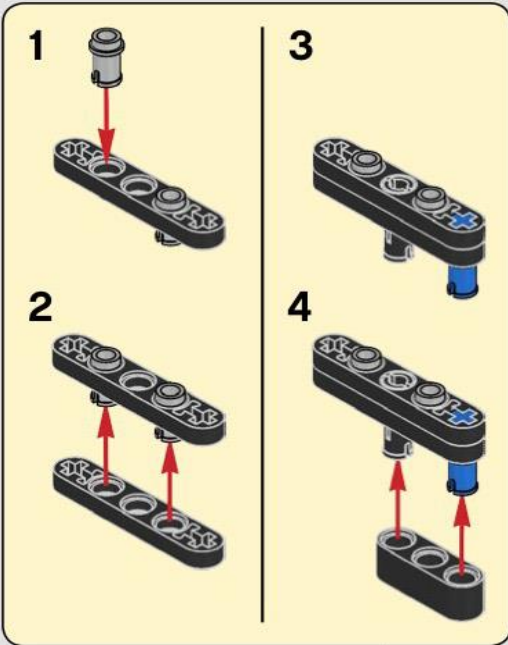


214

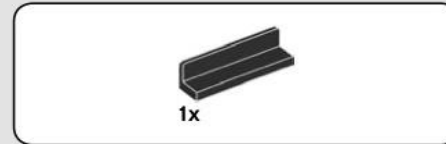
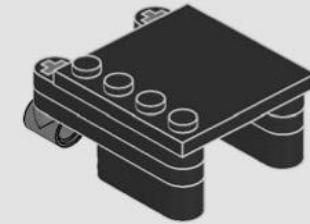




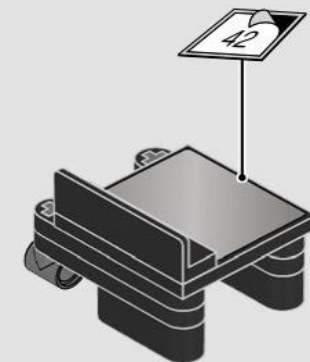
215



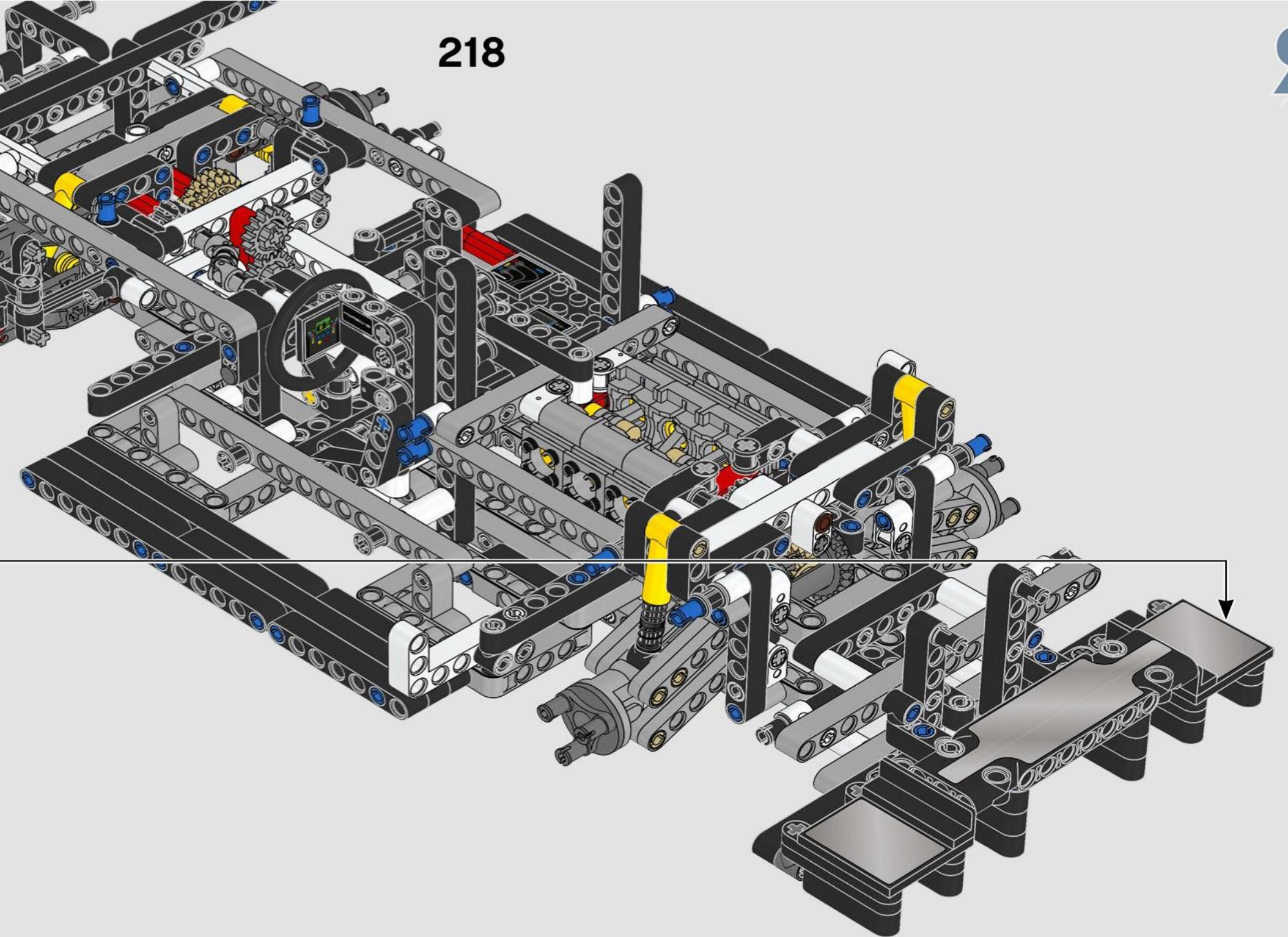
216

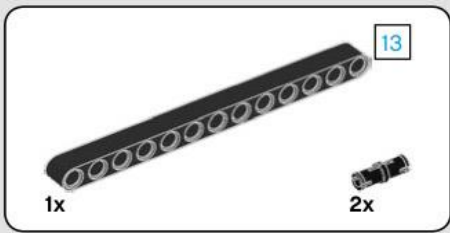


217

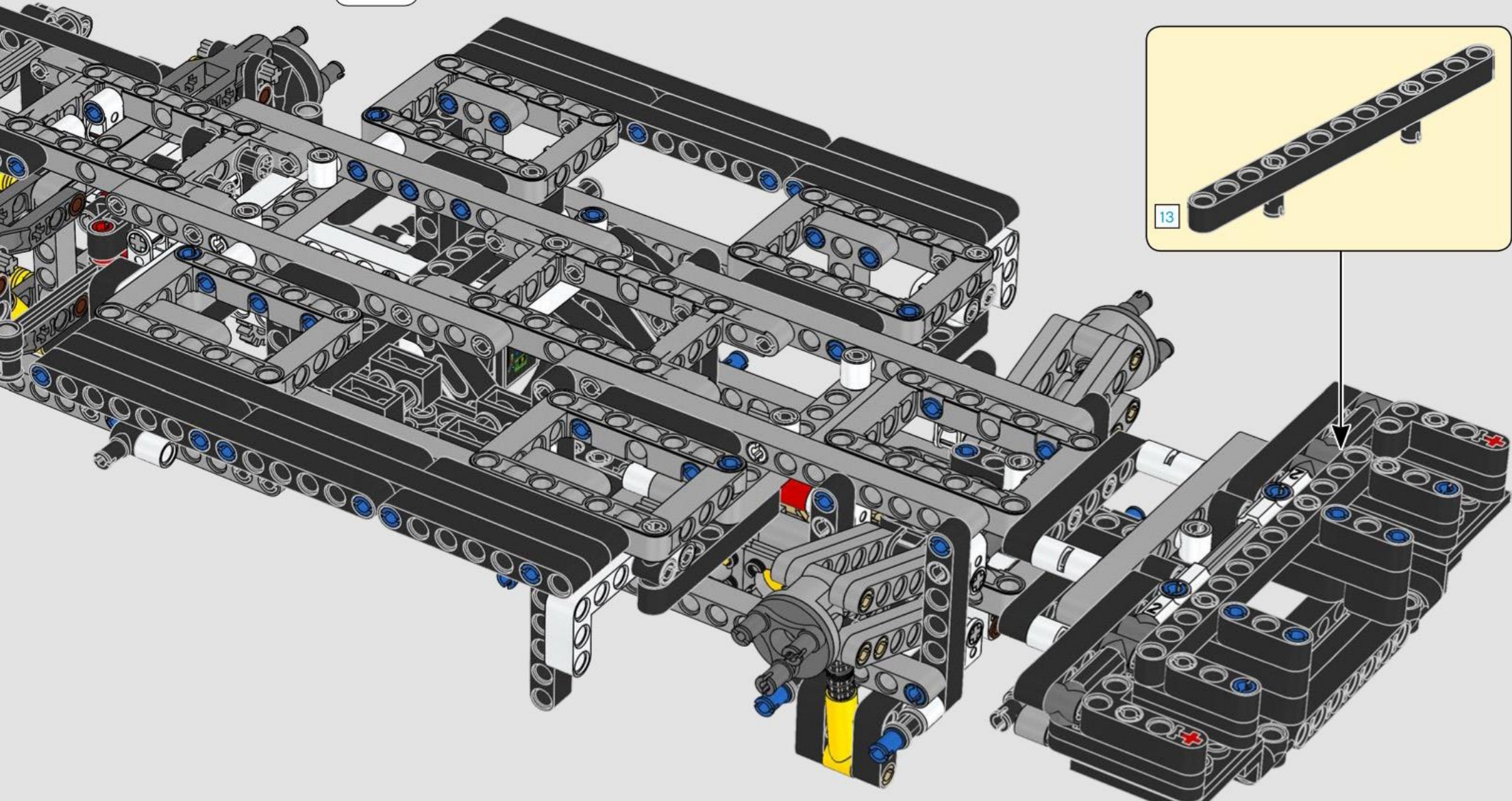
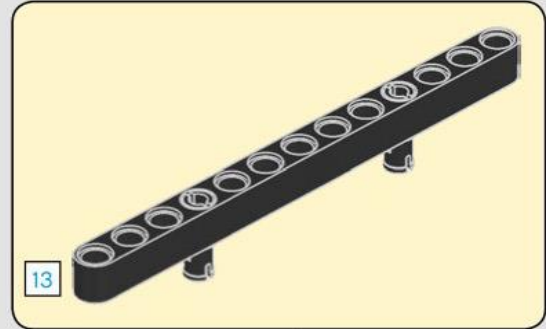


218

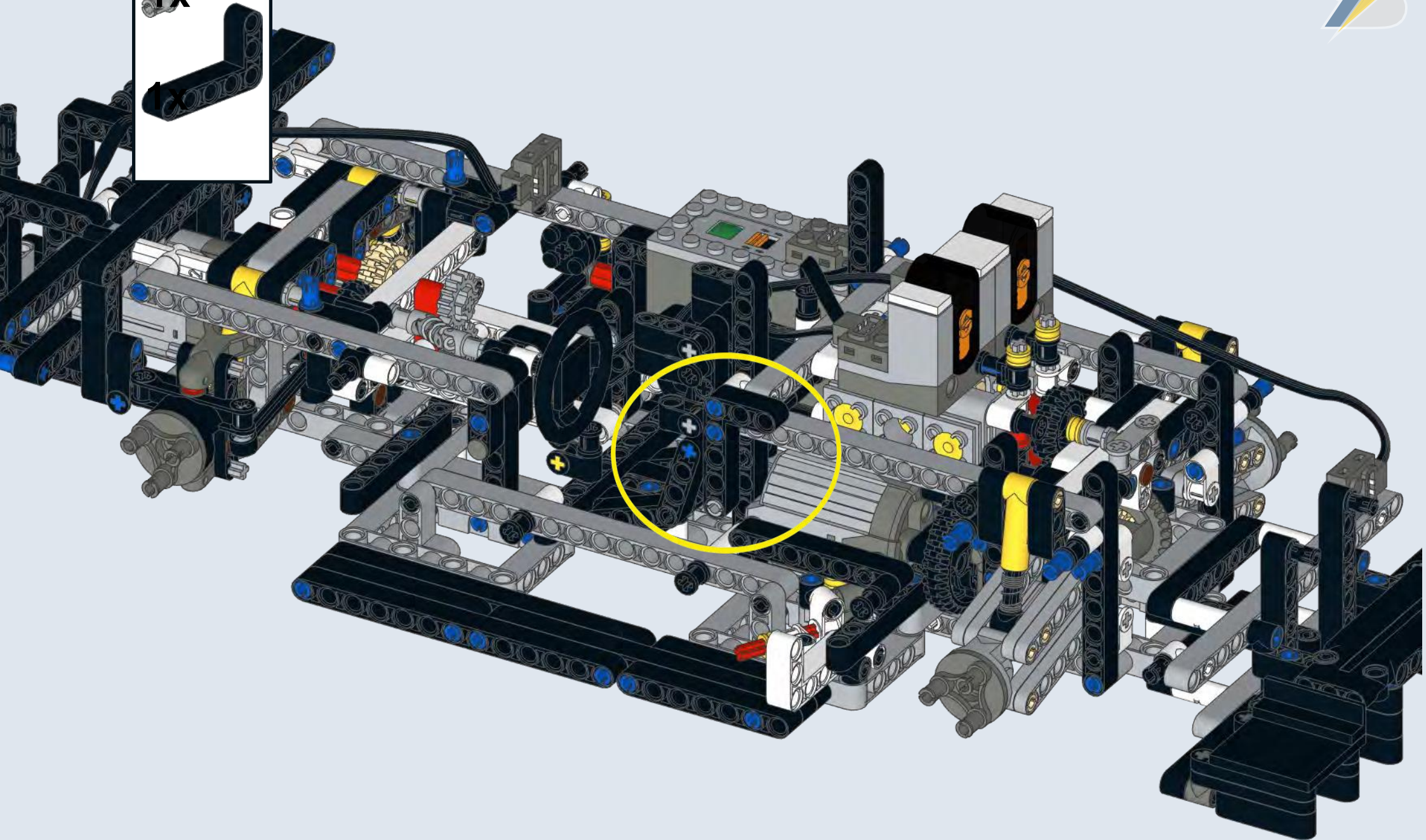




219



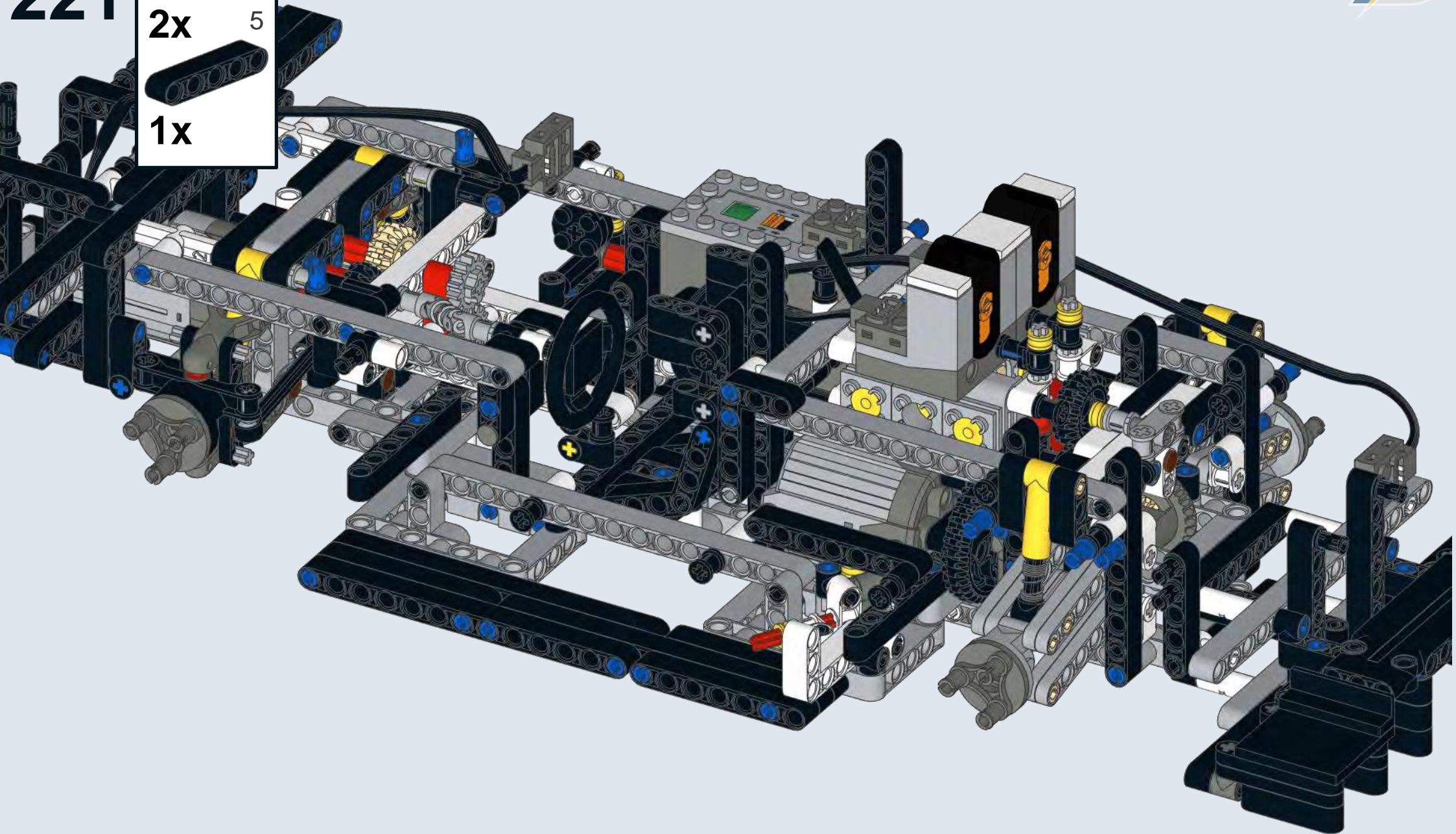
220





221

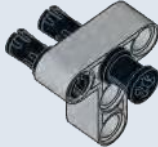
	
2x	5
	
1x	





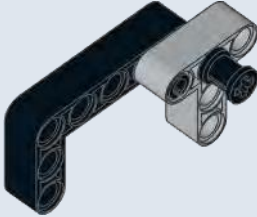
1

1x 1x 1x



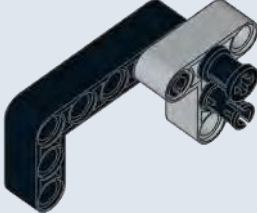
2

1x



3

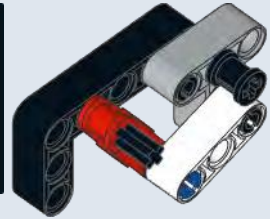
1x





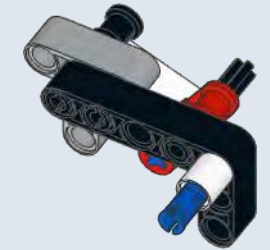
4

1x	1x	1x	1x



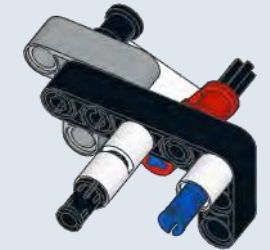
5

1x	1x

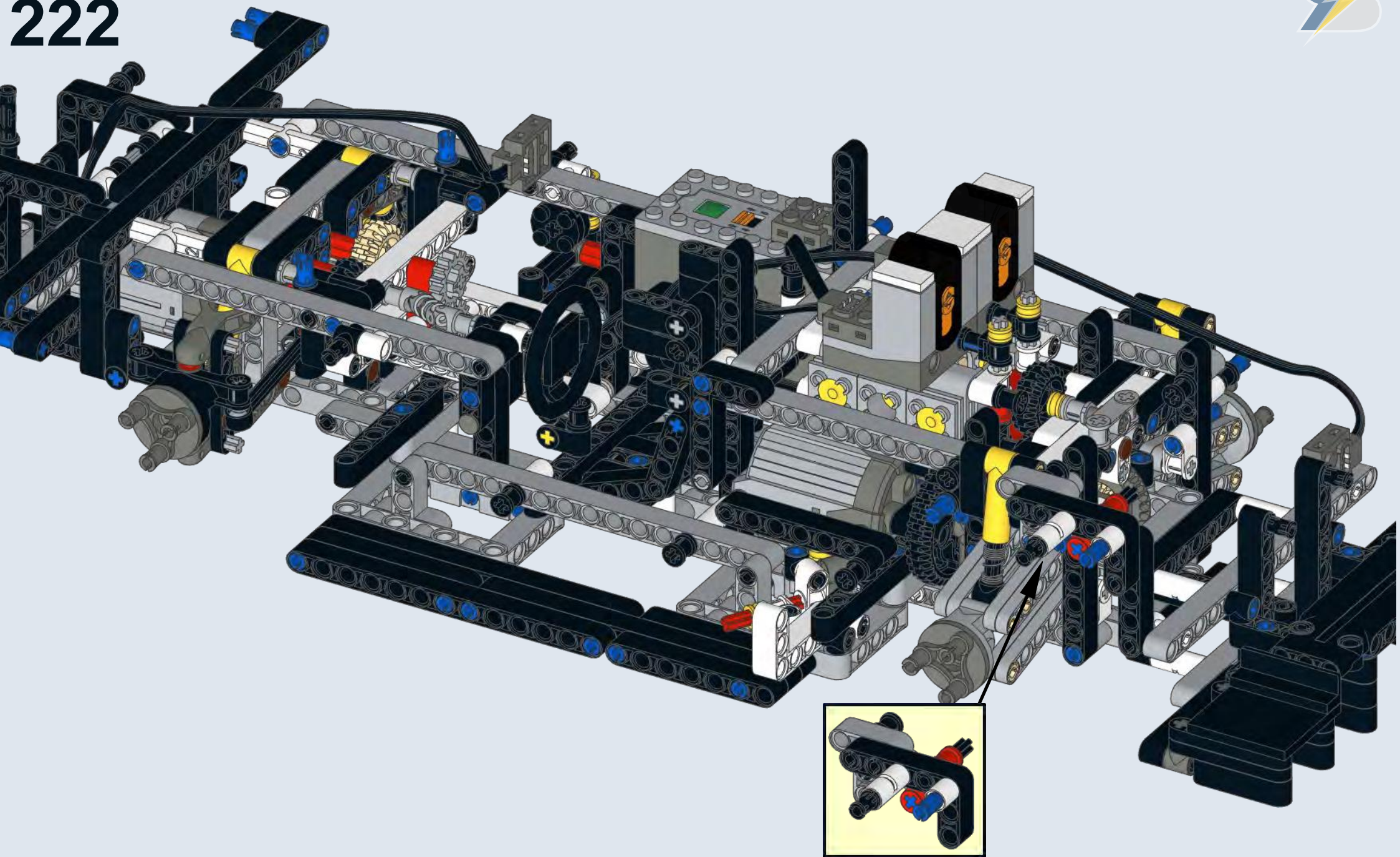


6

1x	2x

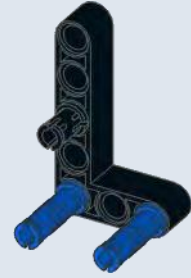
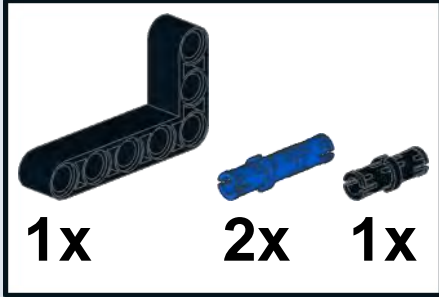


222

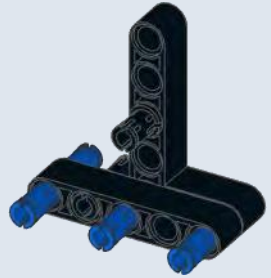
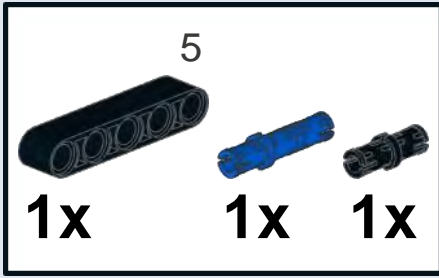




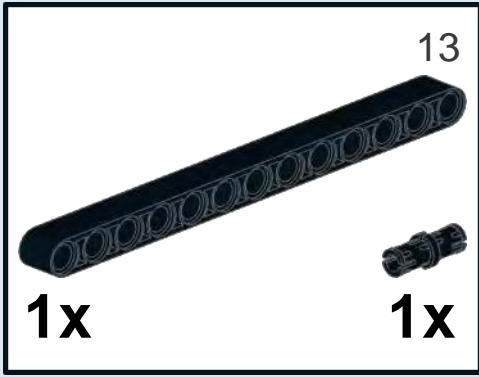
1



2

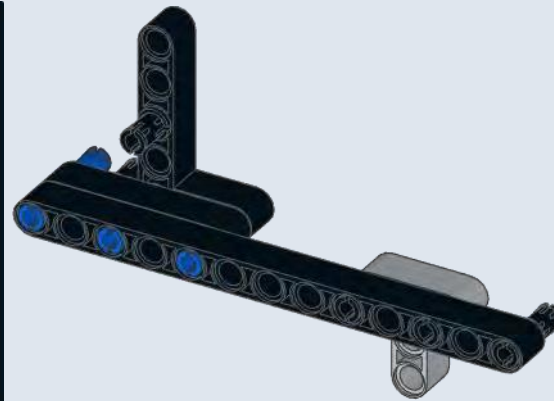
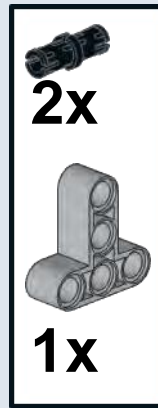


3

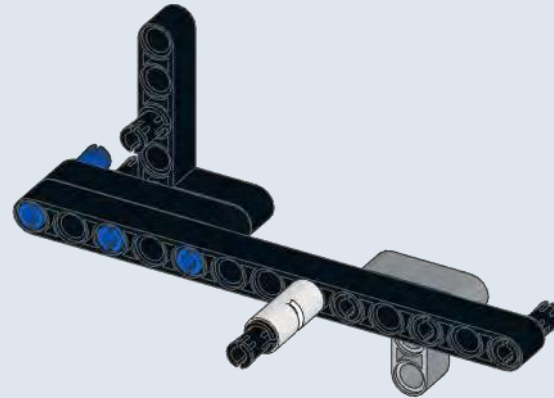




4

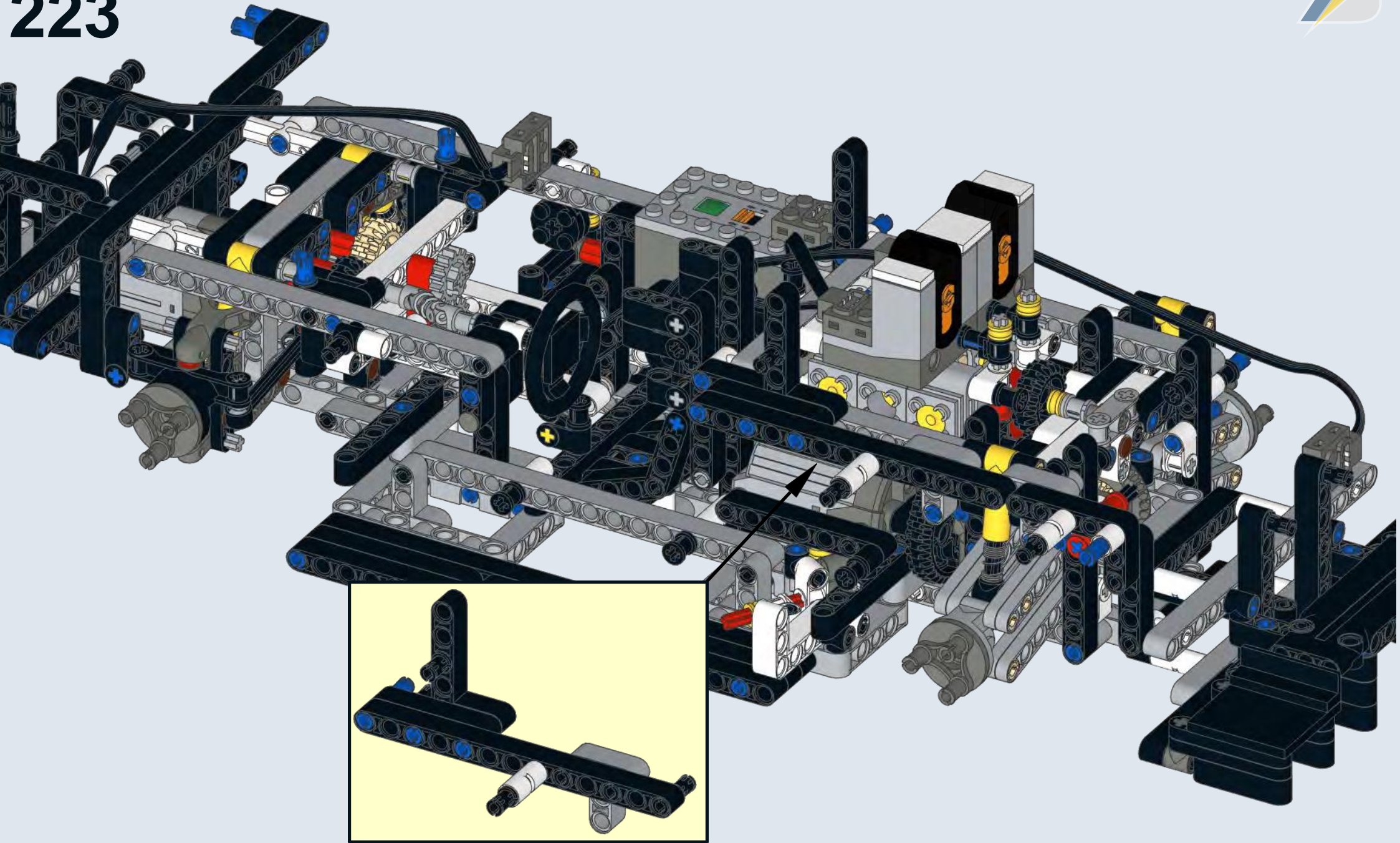


5



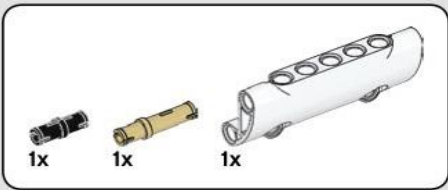


223

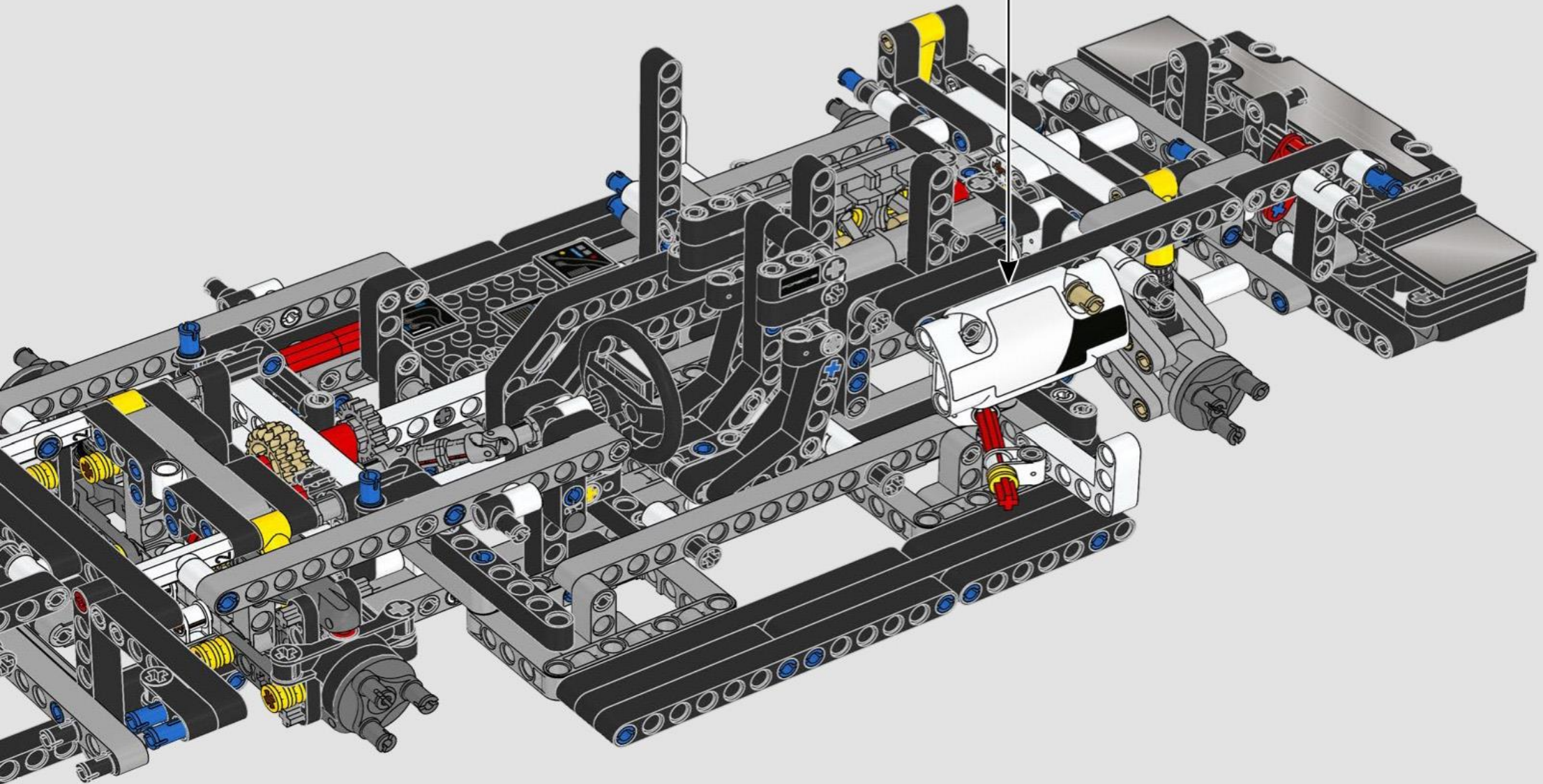
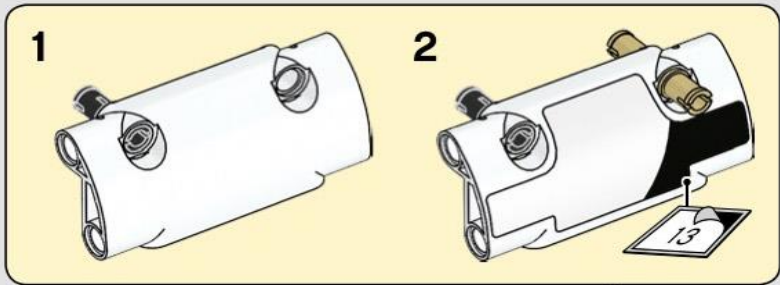


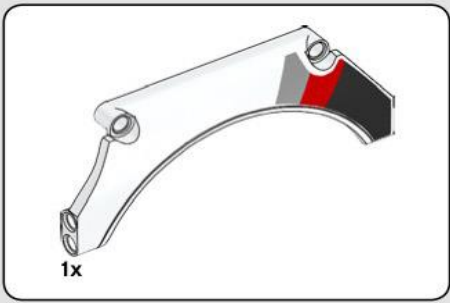


236-277
original steps

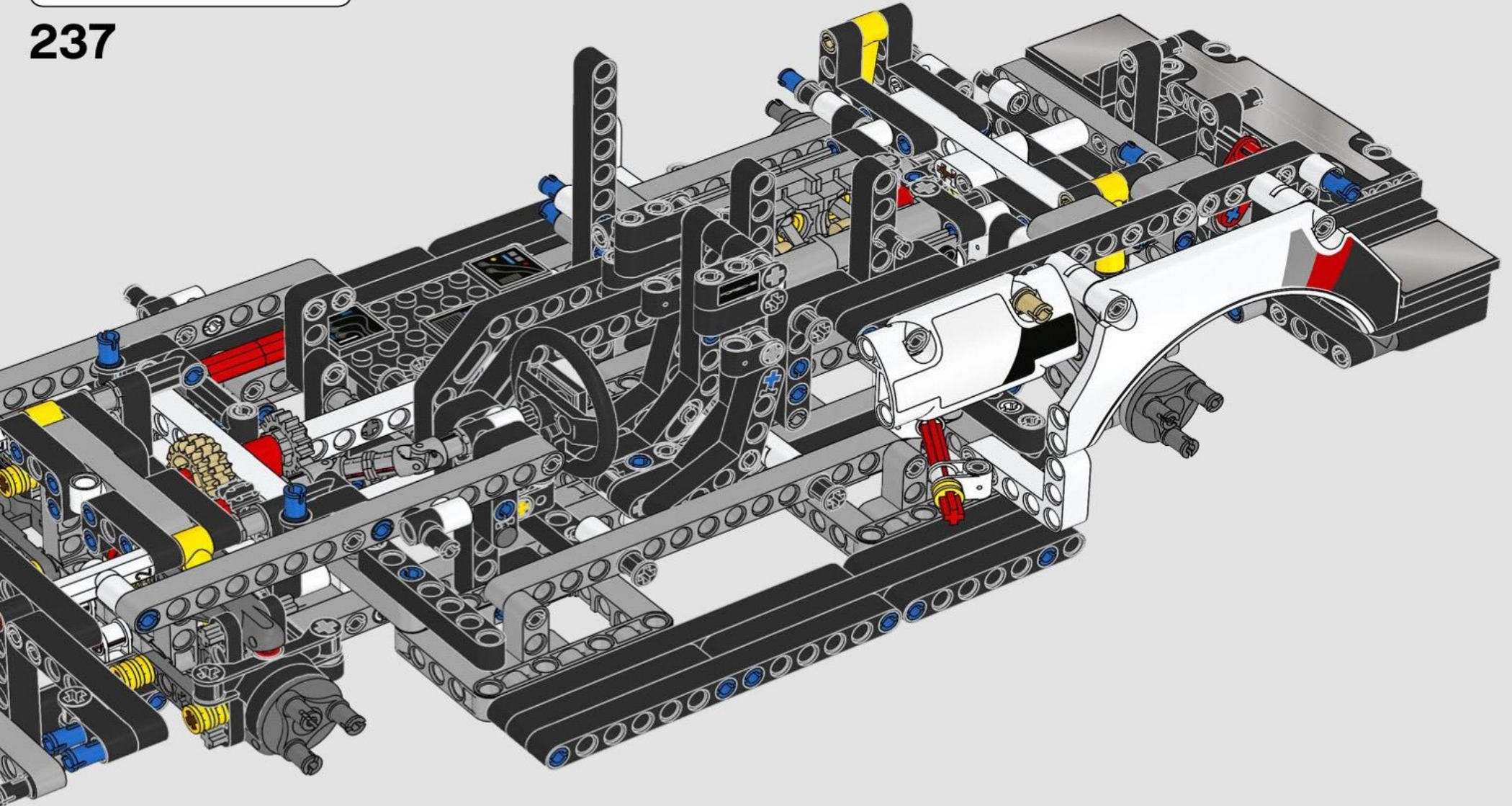


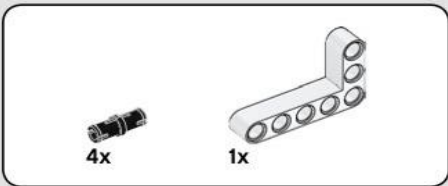
236



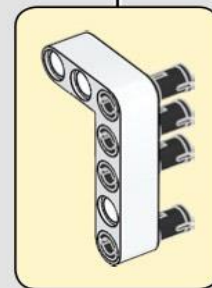
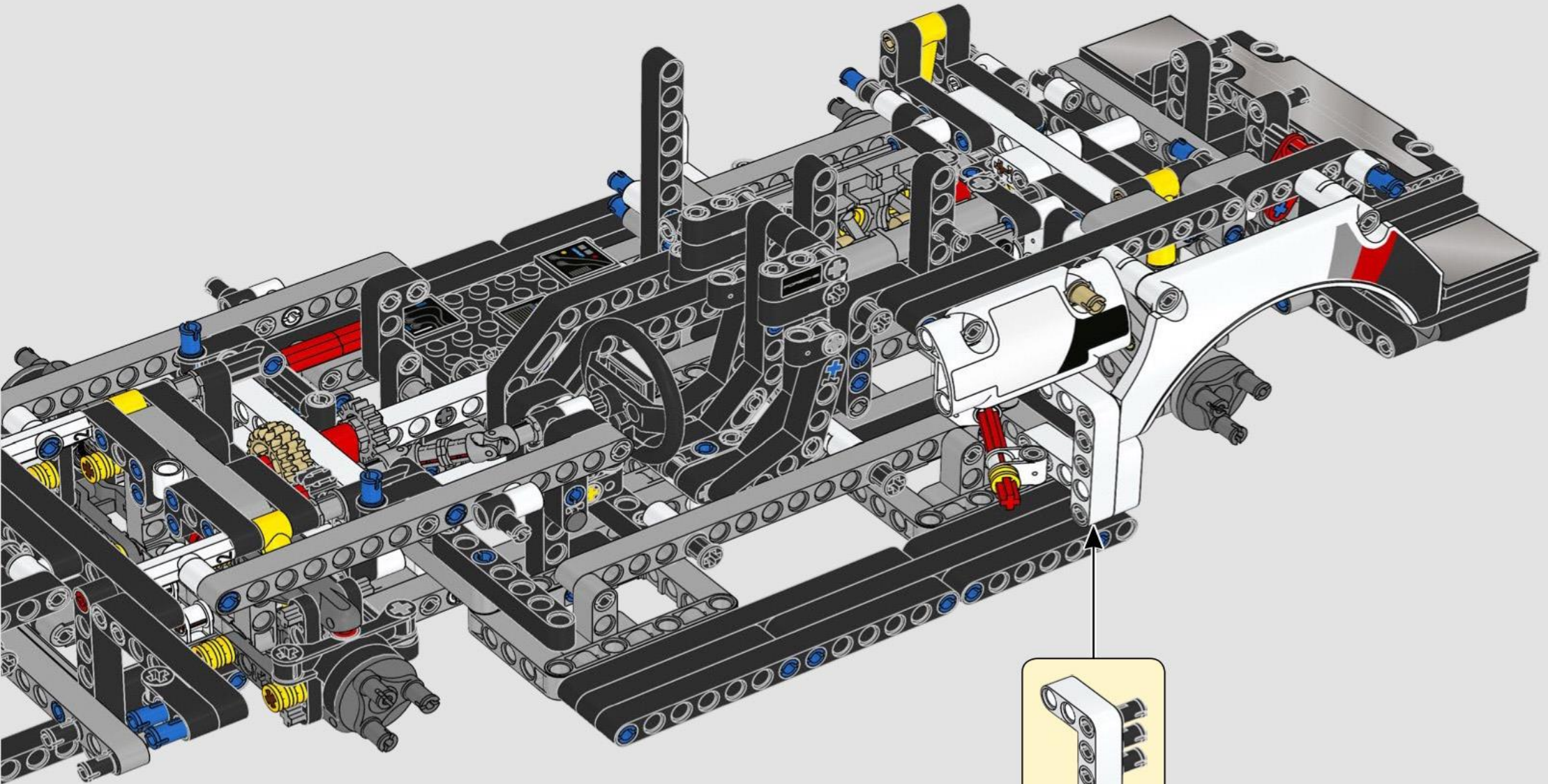


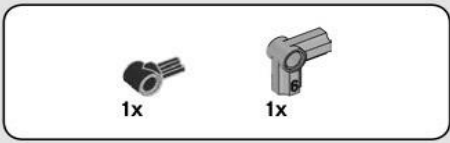
237



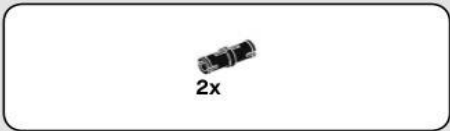
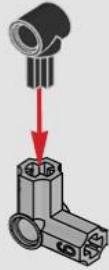


238

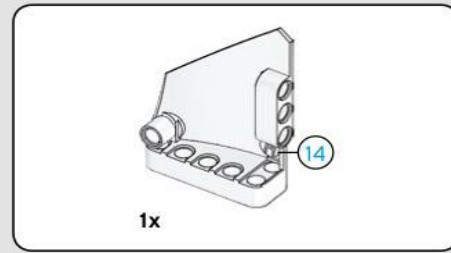




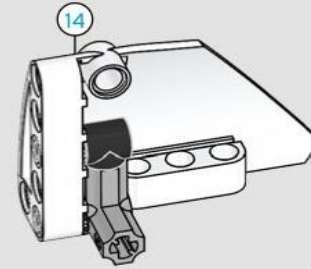
239



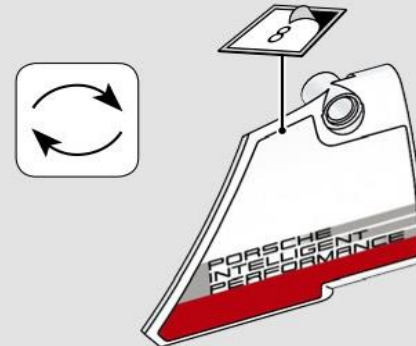
240



241

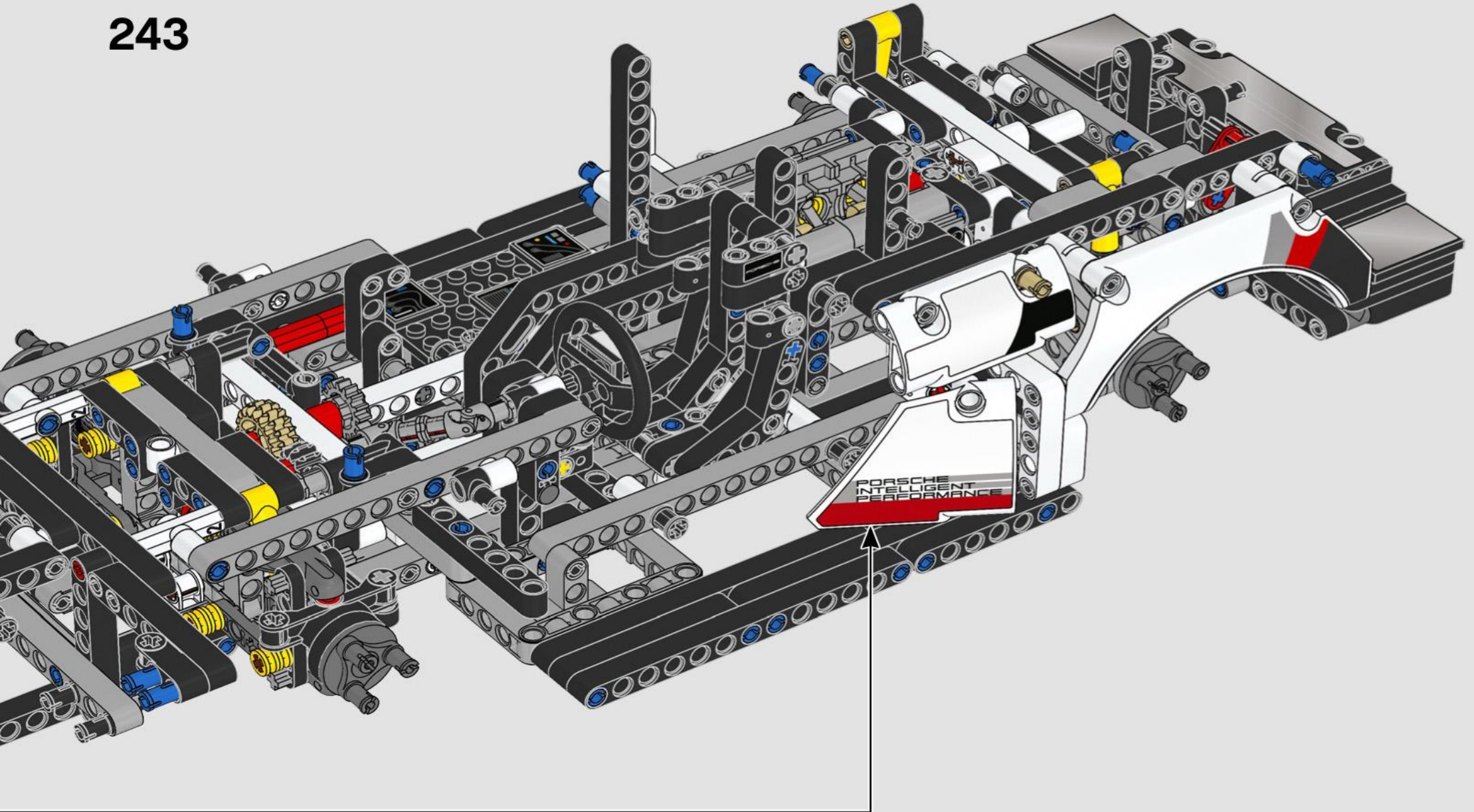


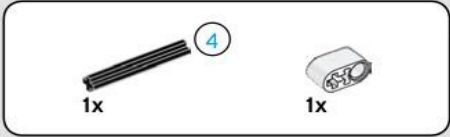
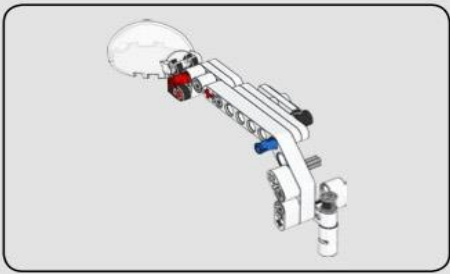
242



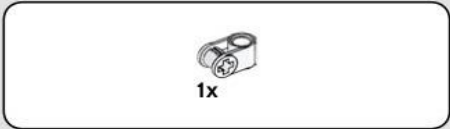
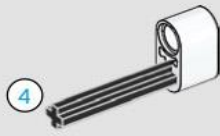


243





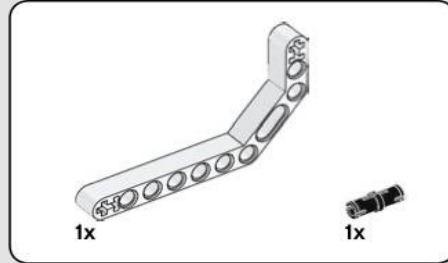
244



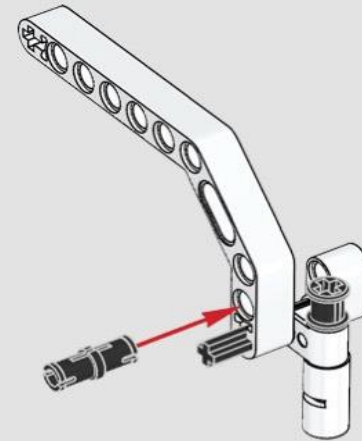
245

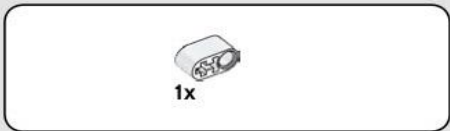


246

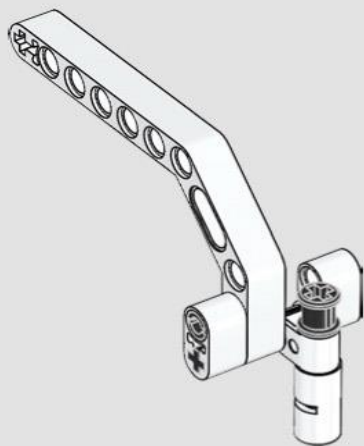


247

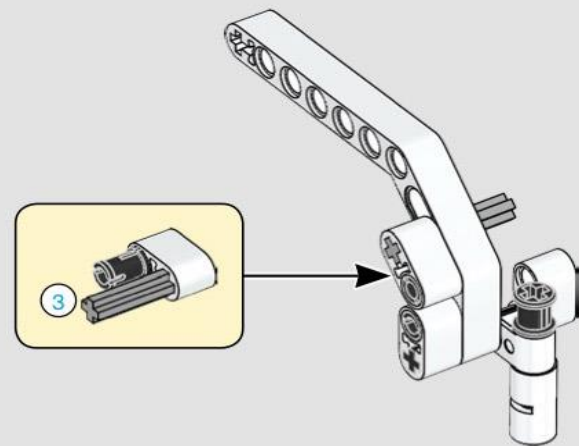
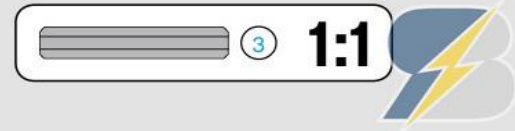


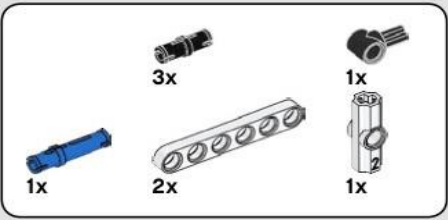


248

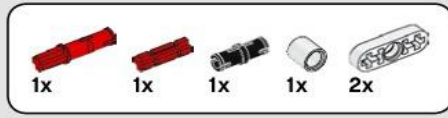
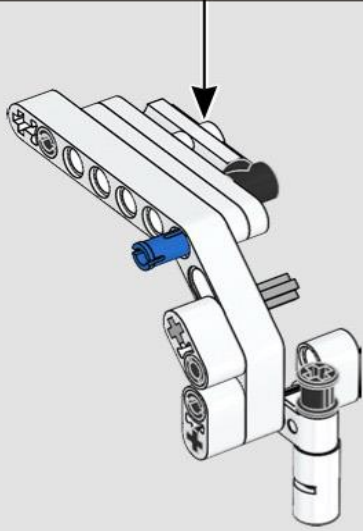
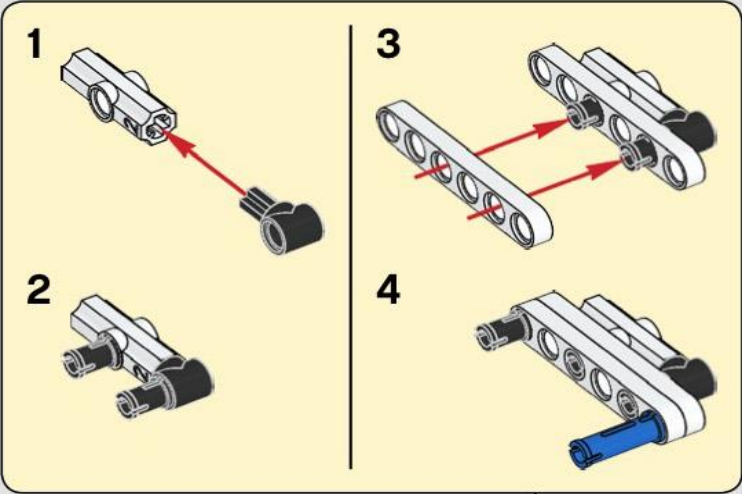


249

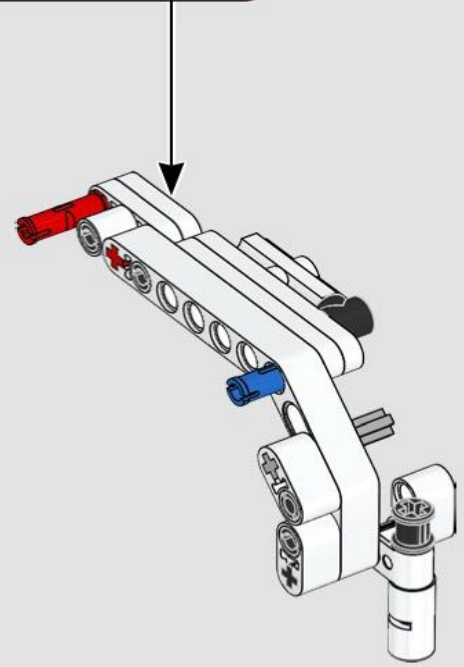
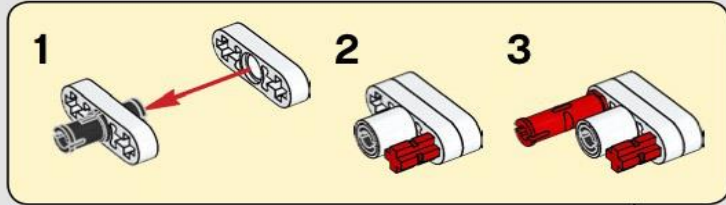


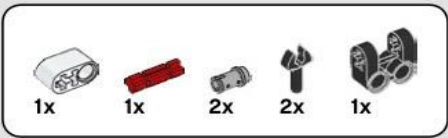


250

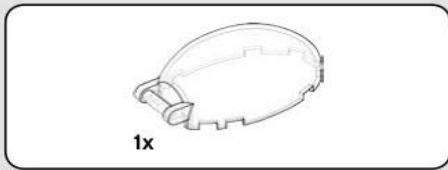
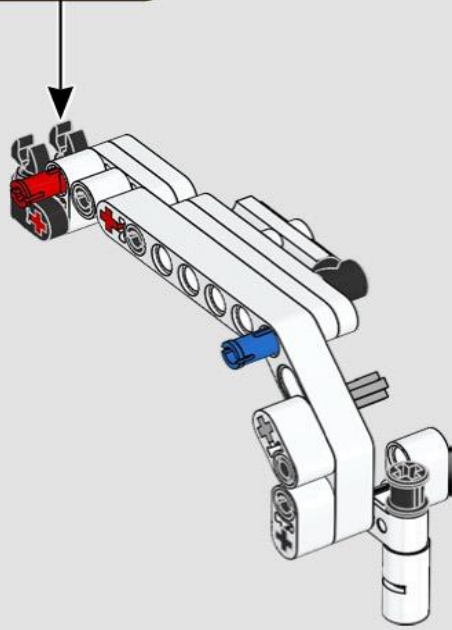
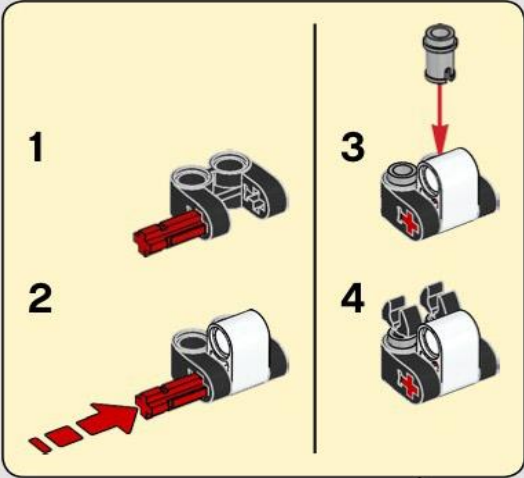


251

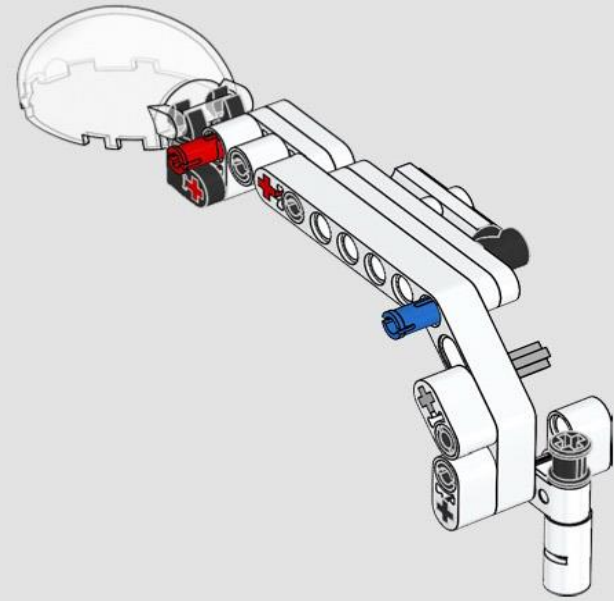




252

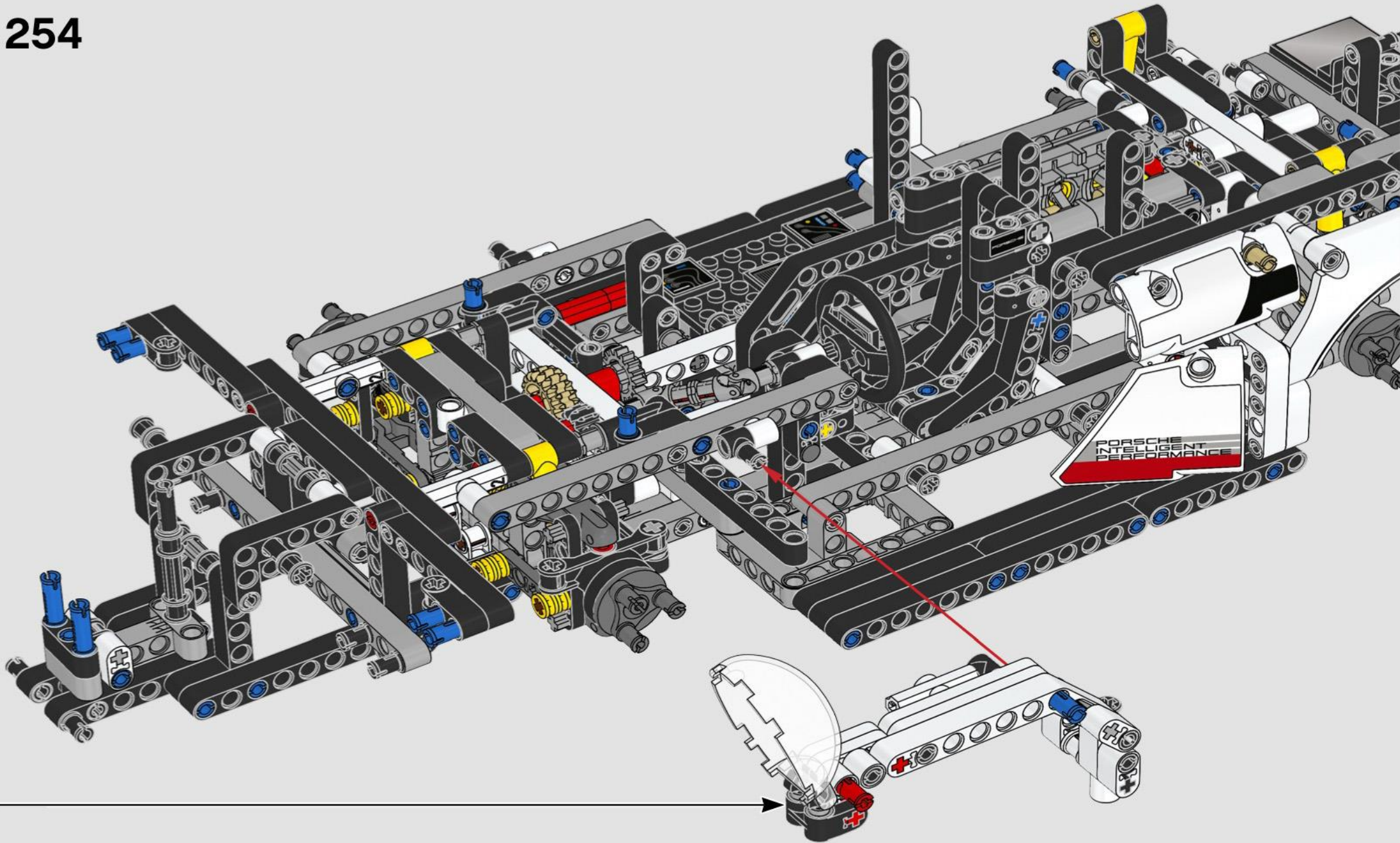


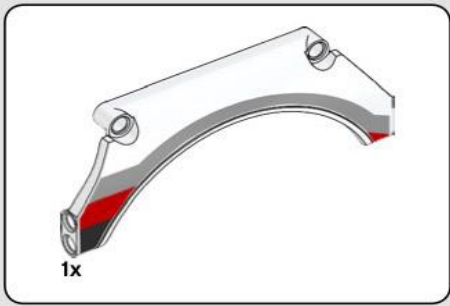
253



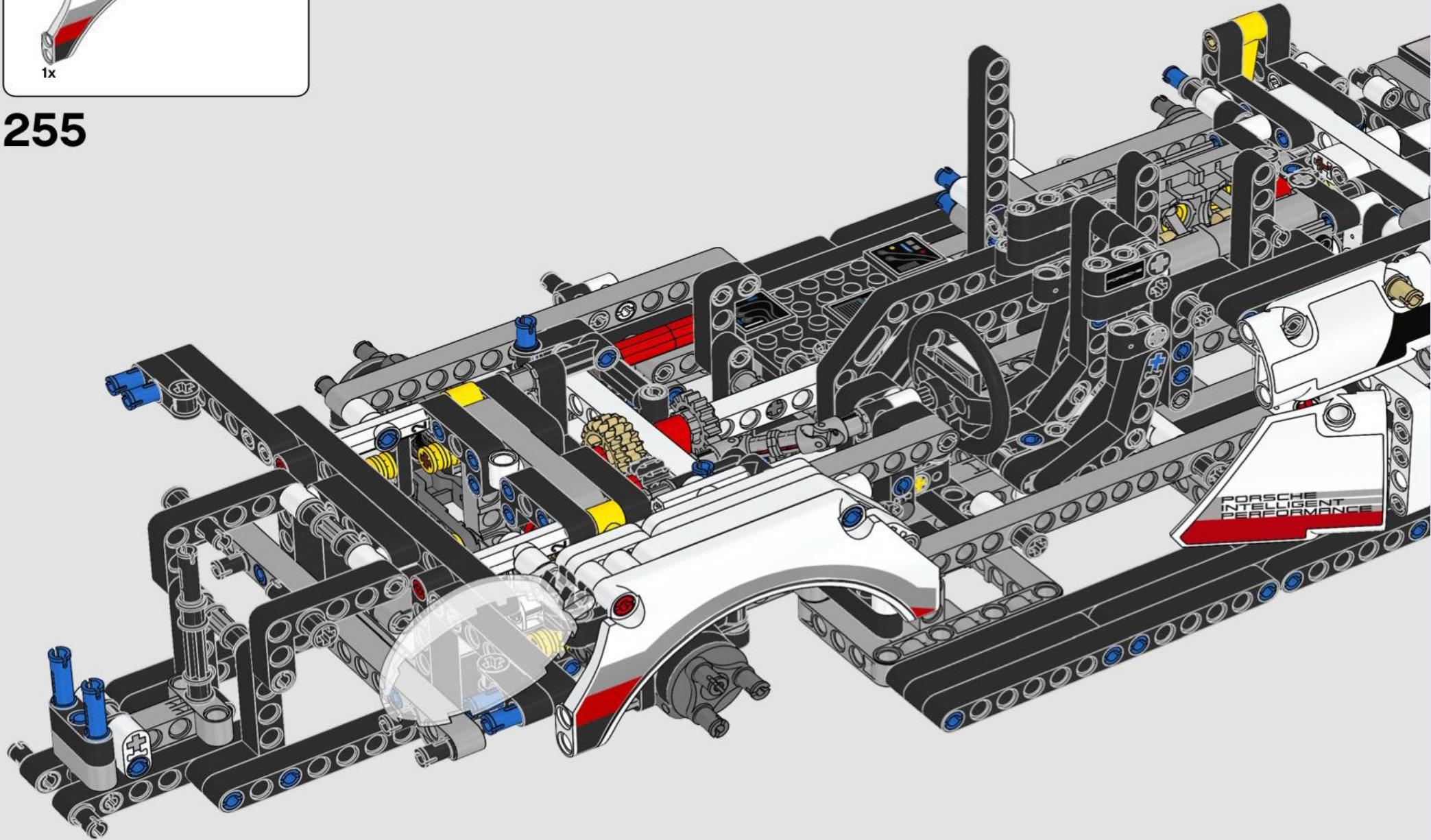


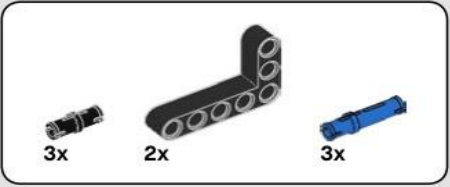
254



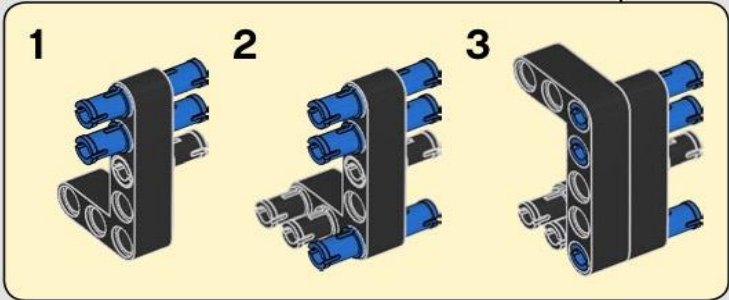
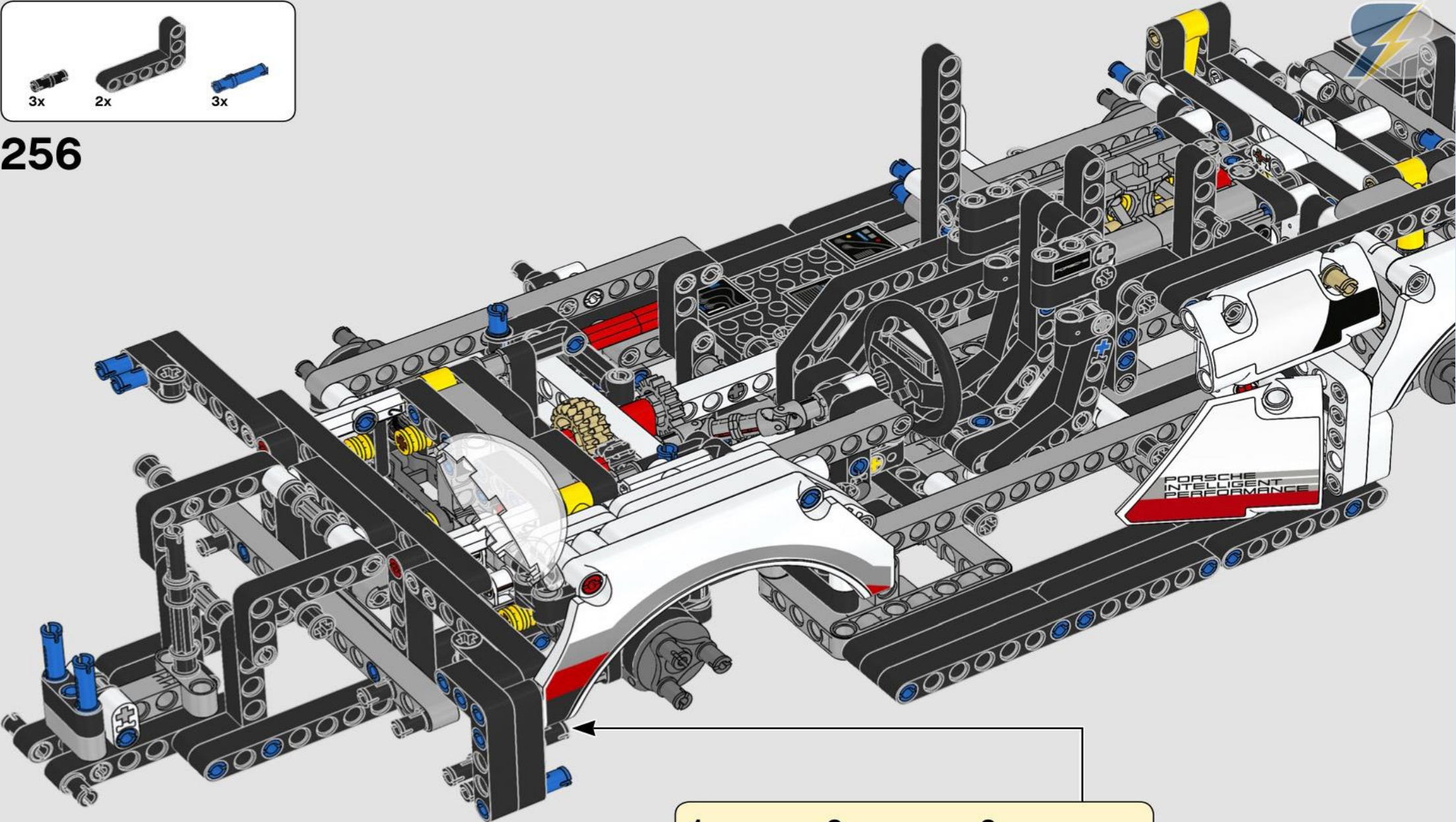


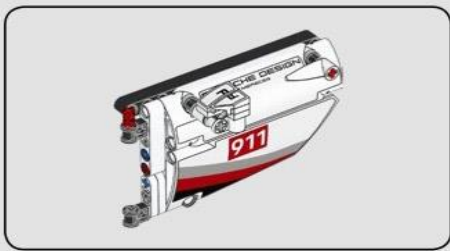
255



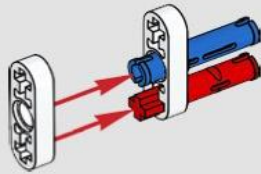


256

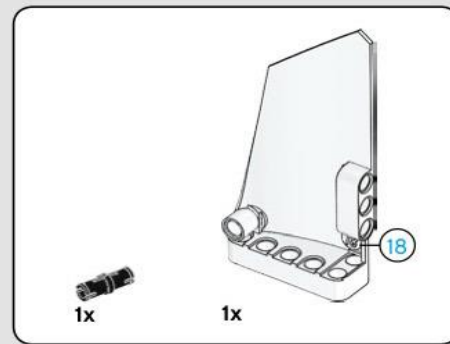
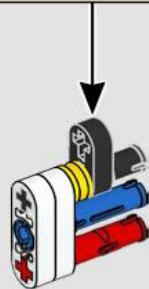
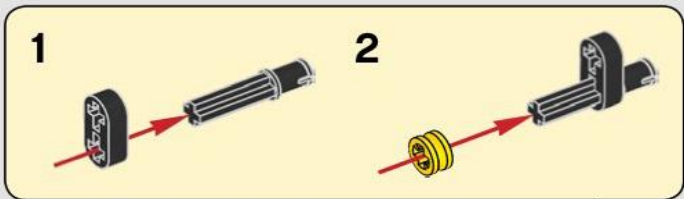




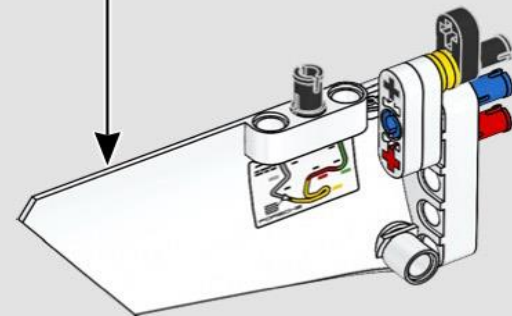
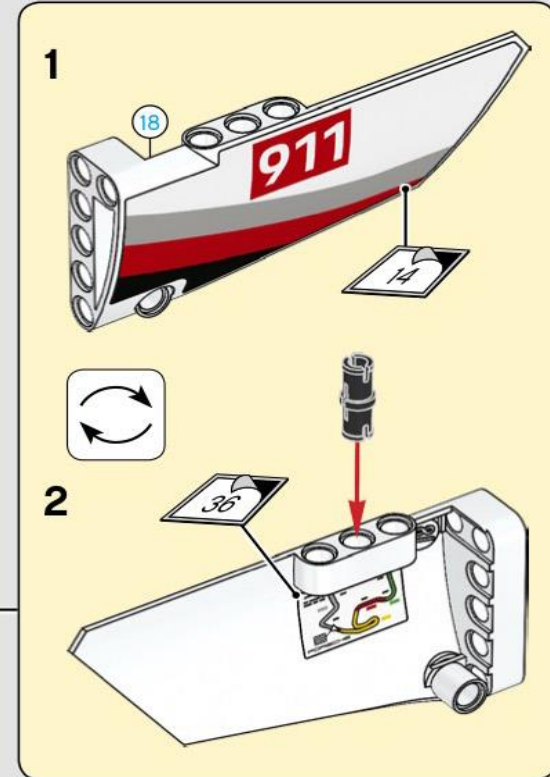
257

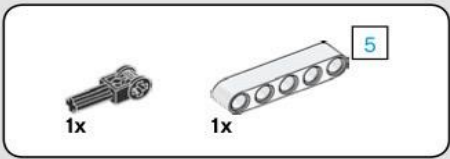


258

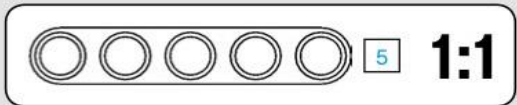
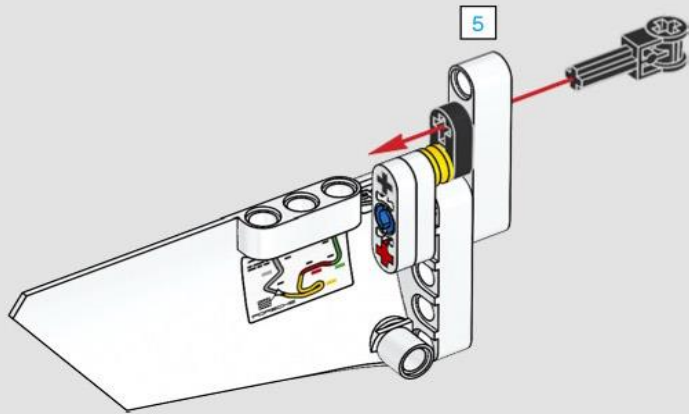


259

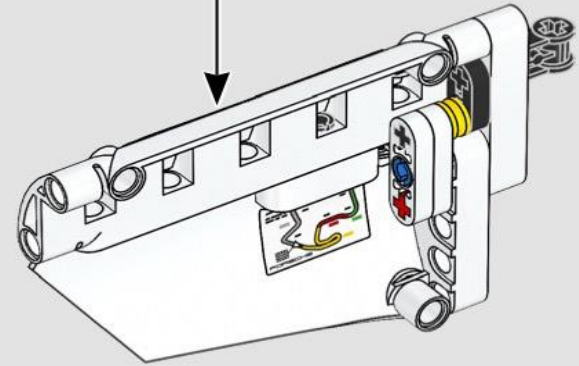
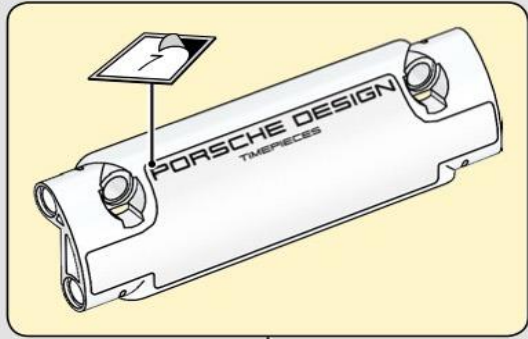


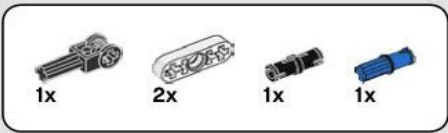


260

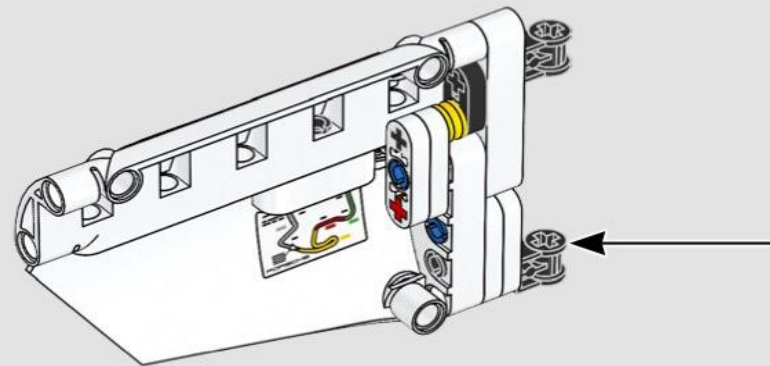
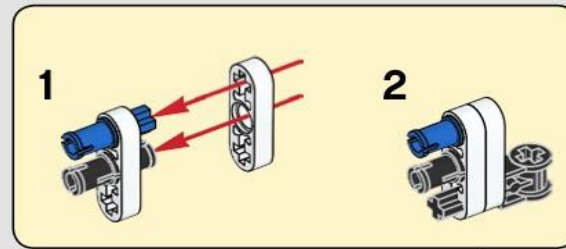


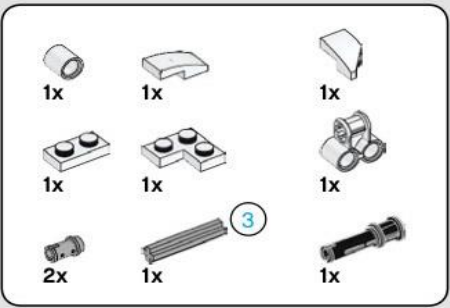
261



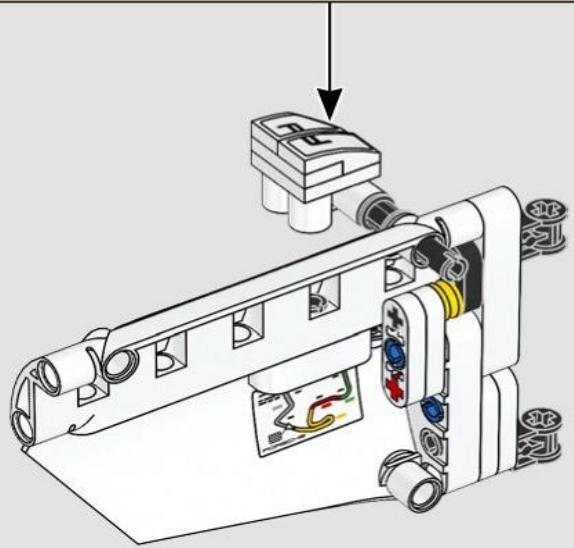
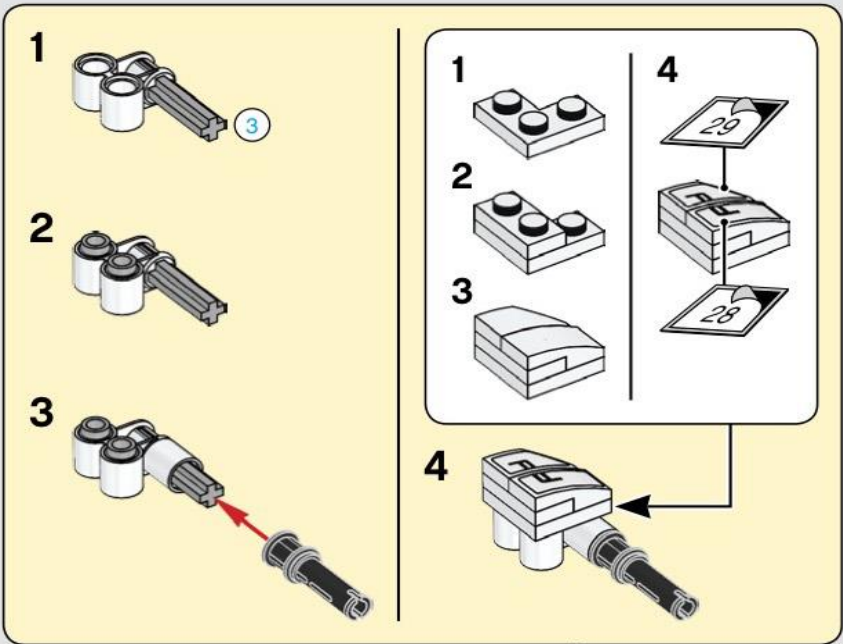


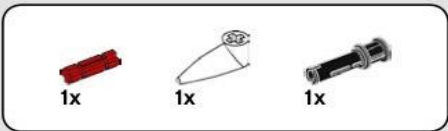
262



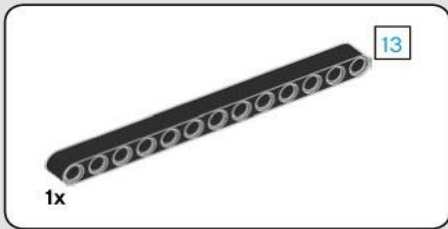
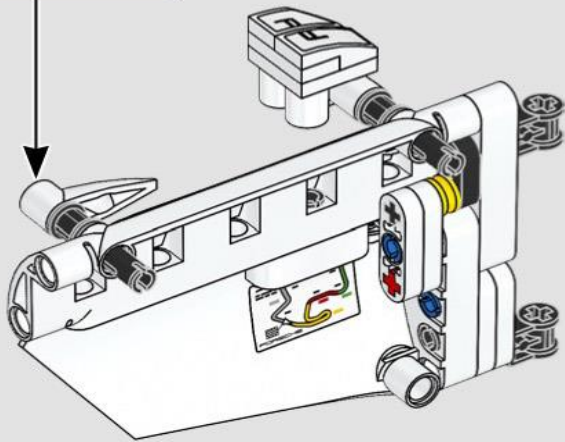
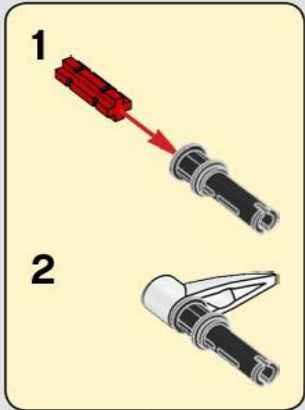


263

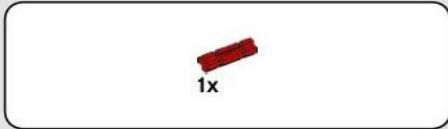
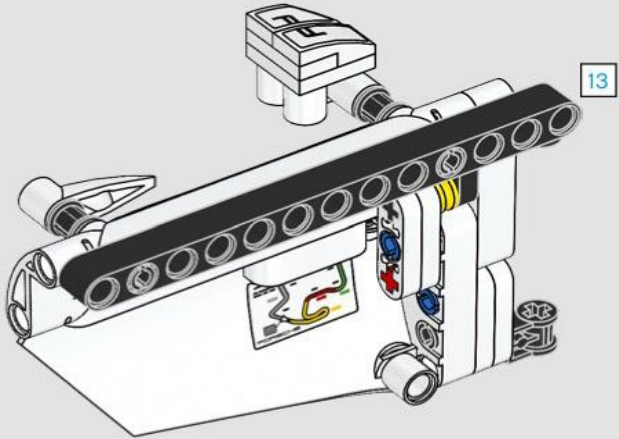




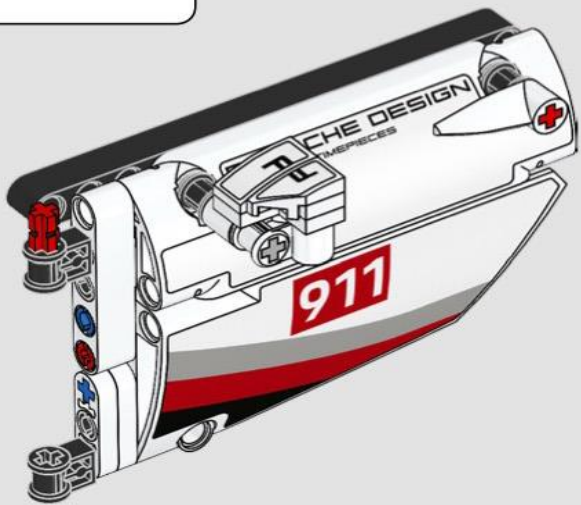
264



265

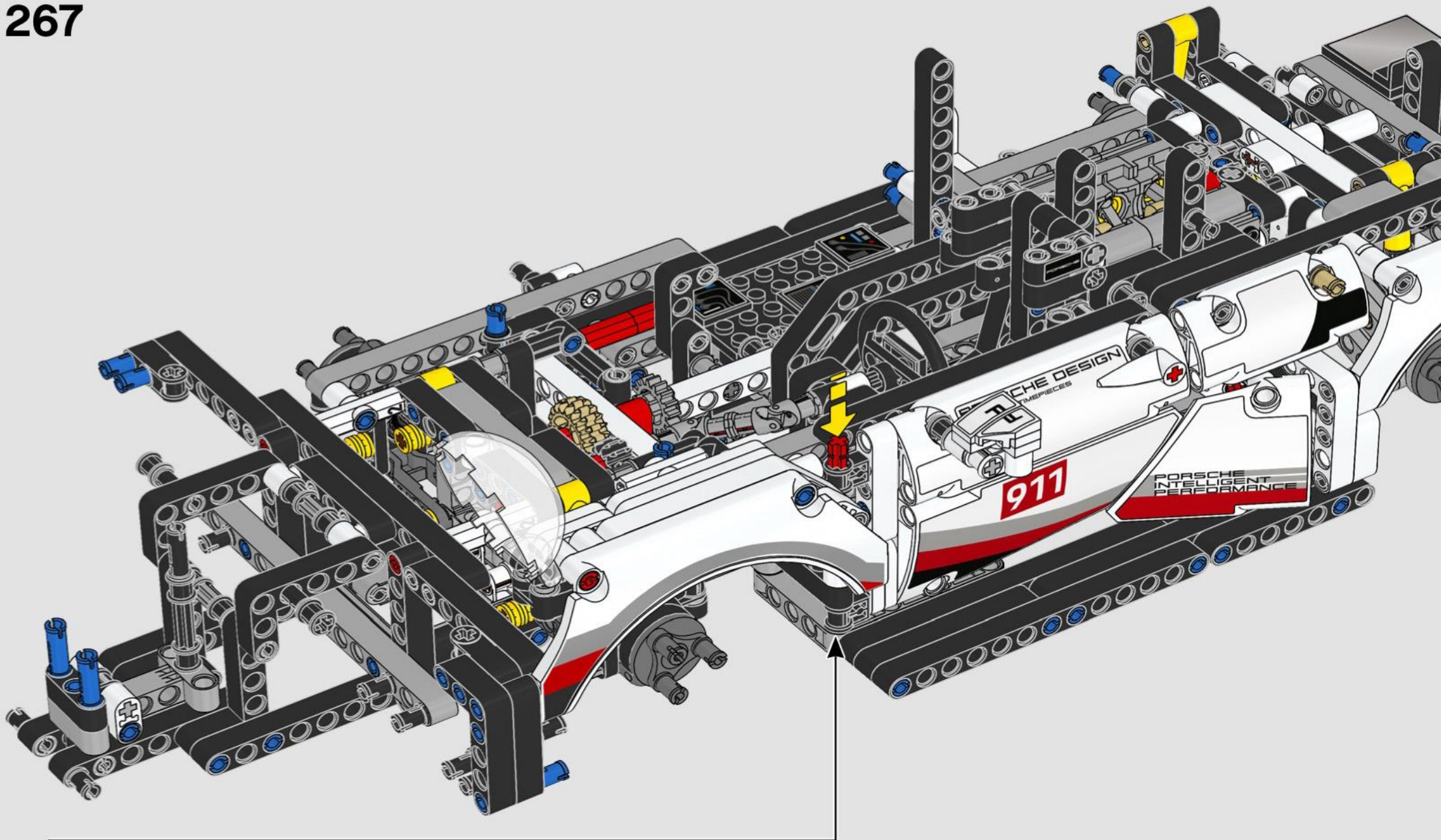


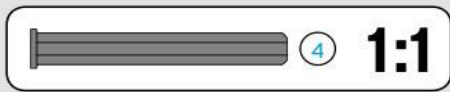
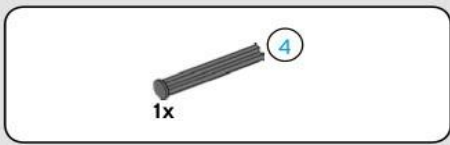
266



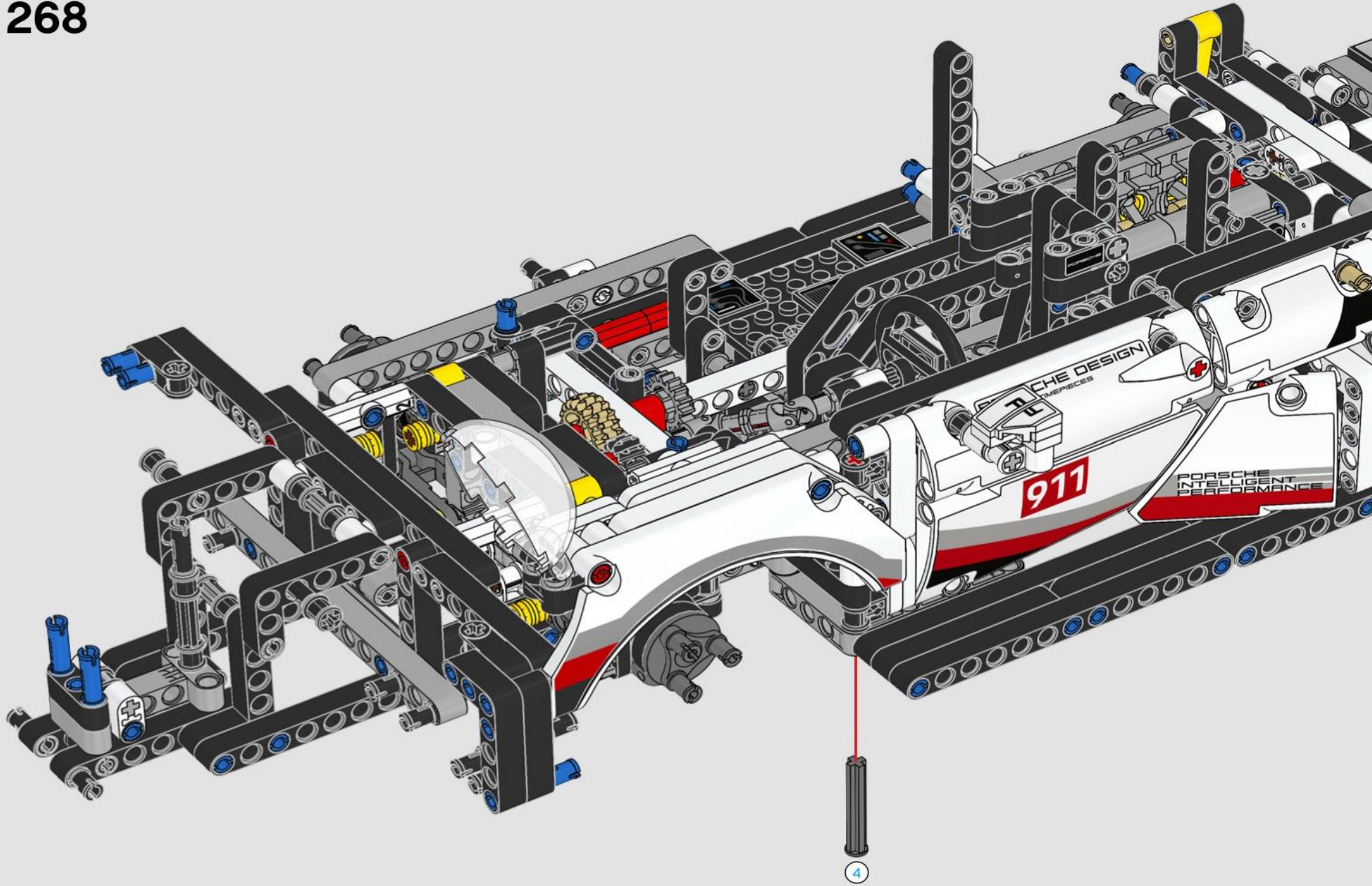


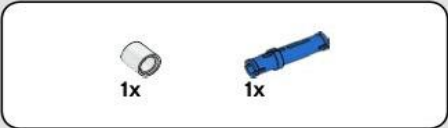
267



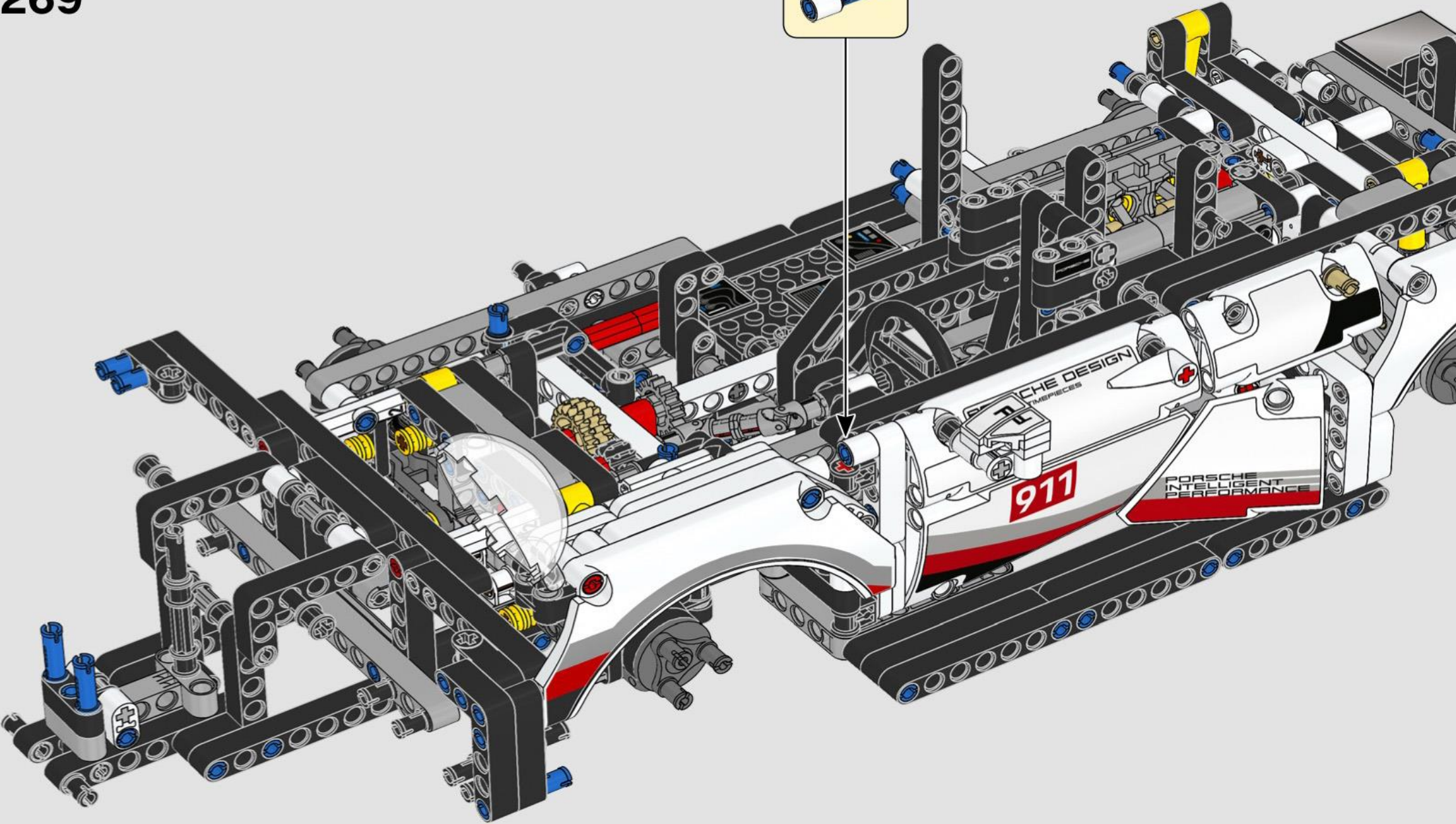


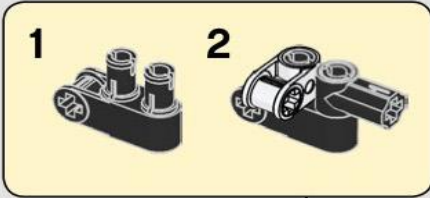
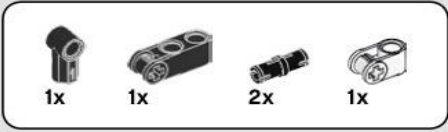
268



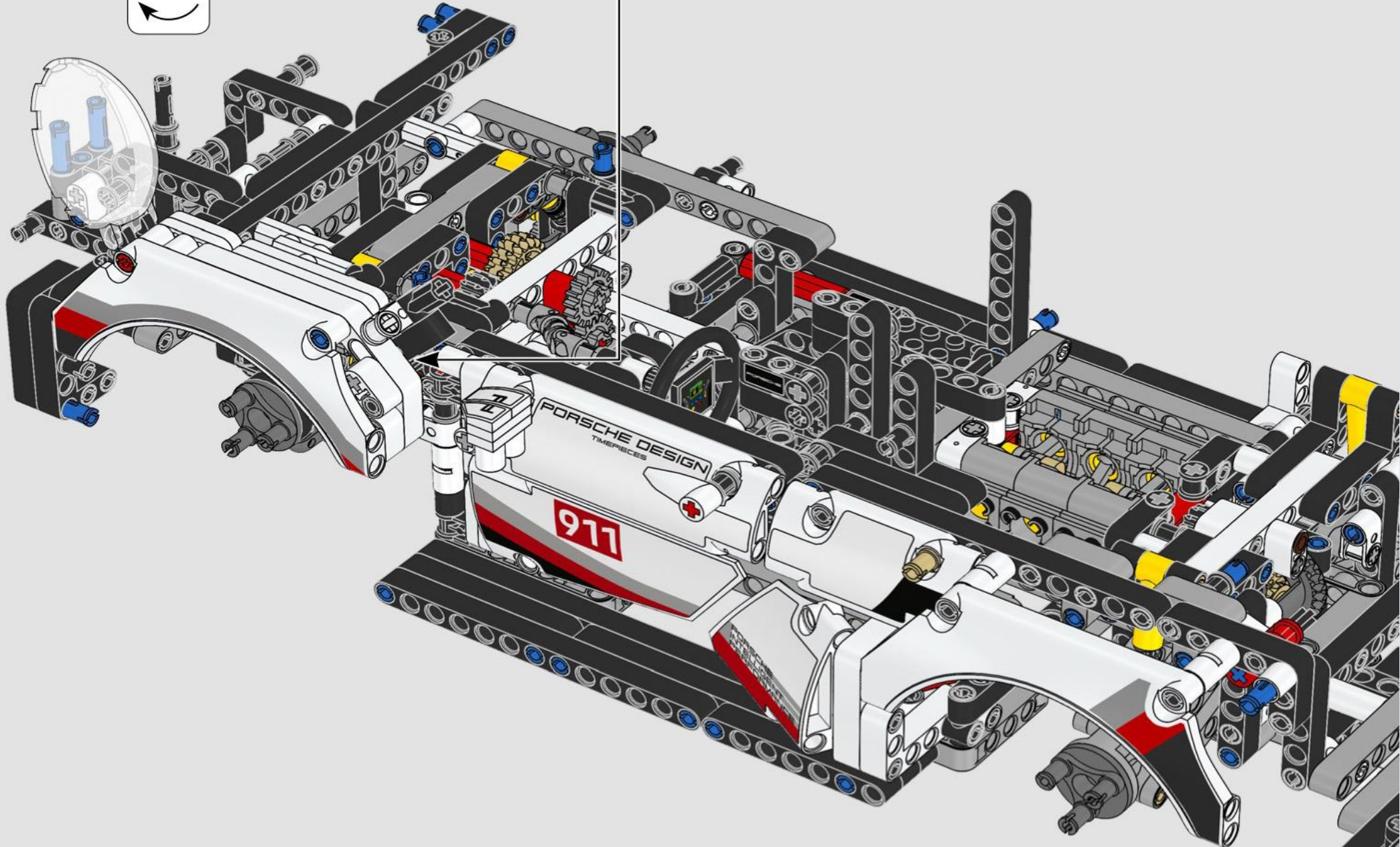


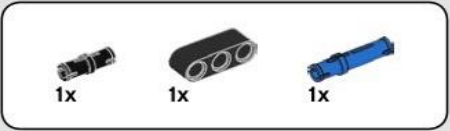
269



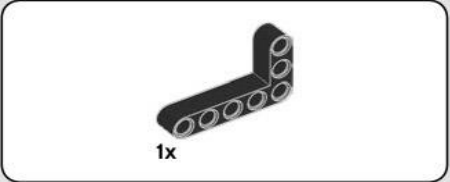


270

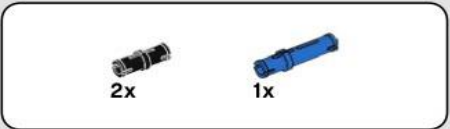
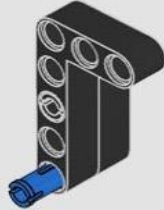




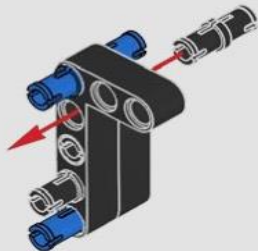
271



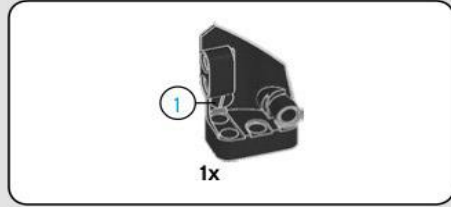
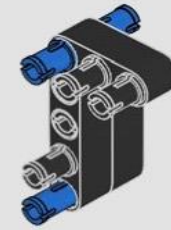
272



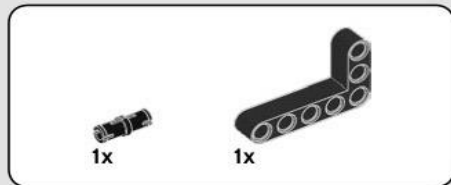
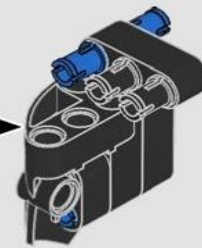
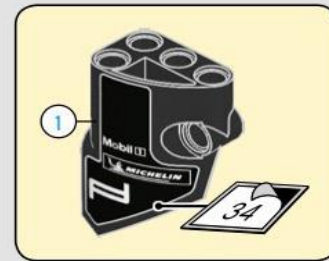
273



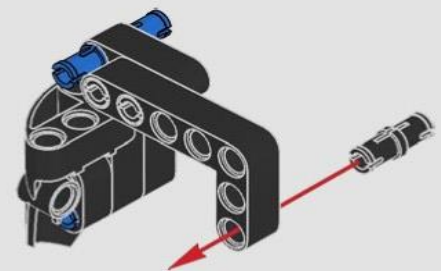
274



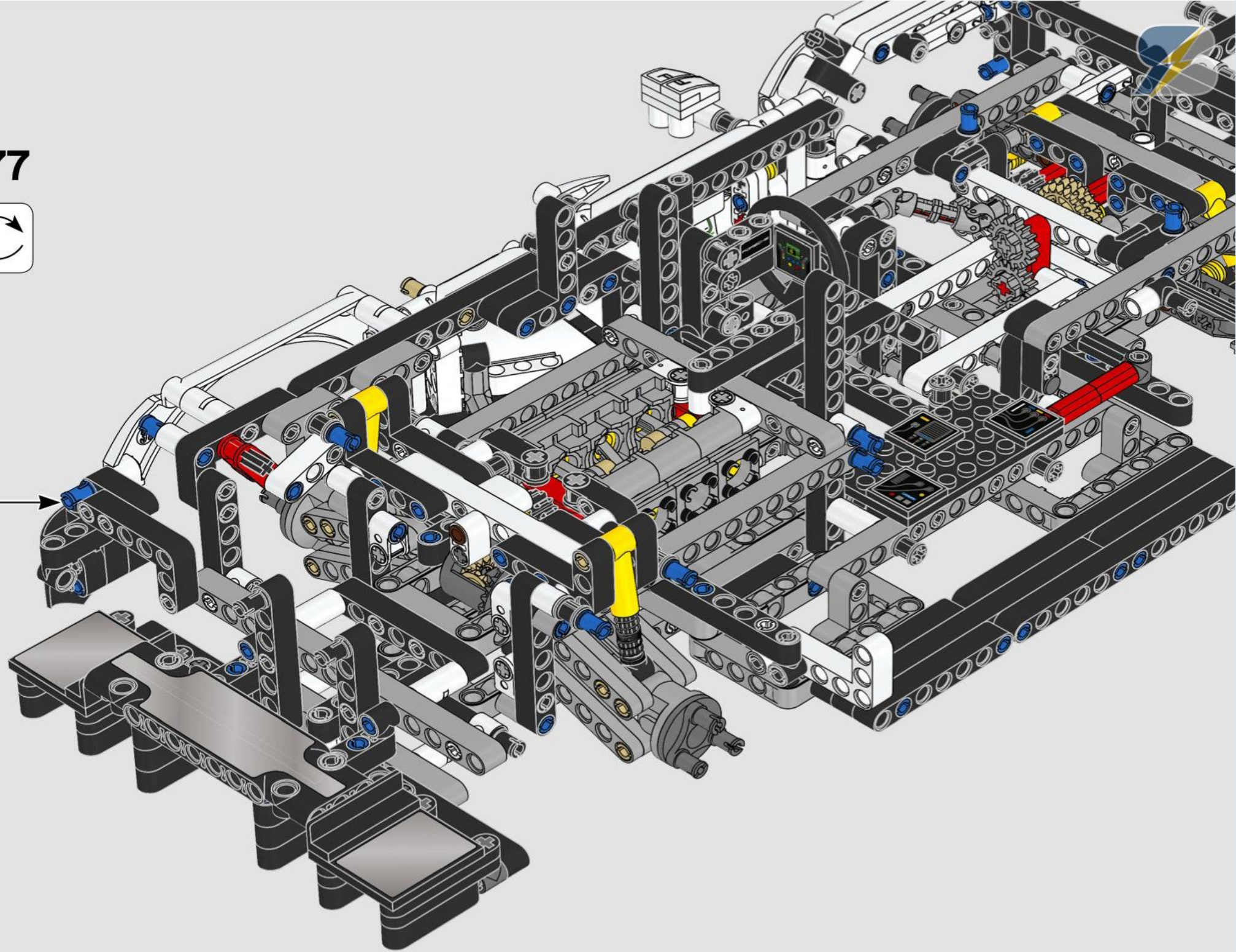
275



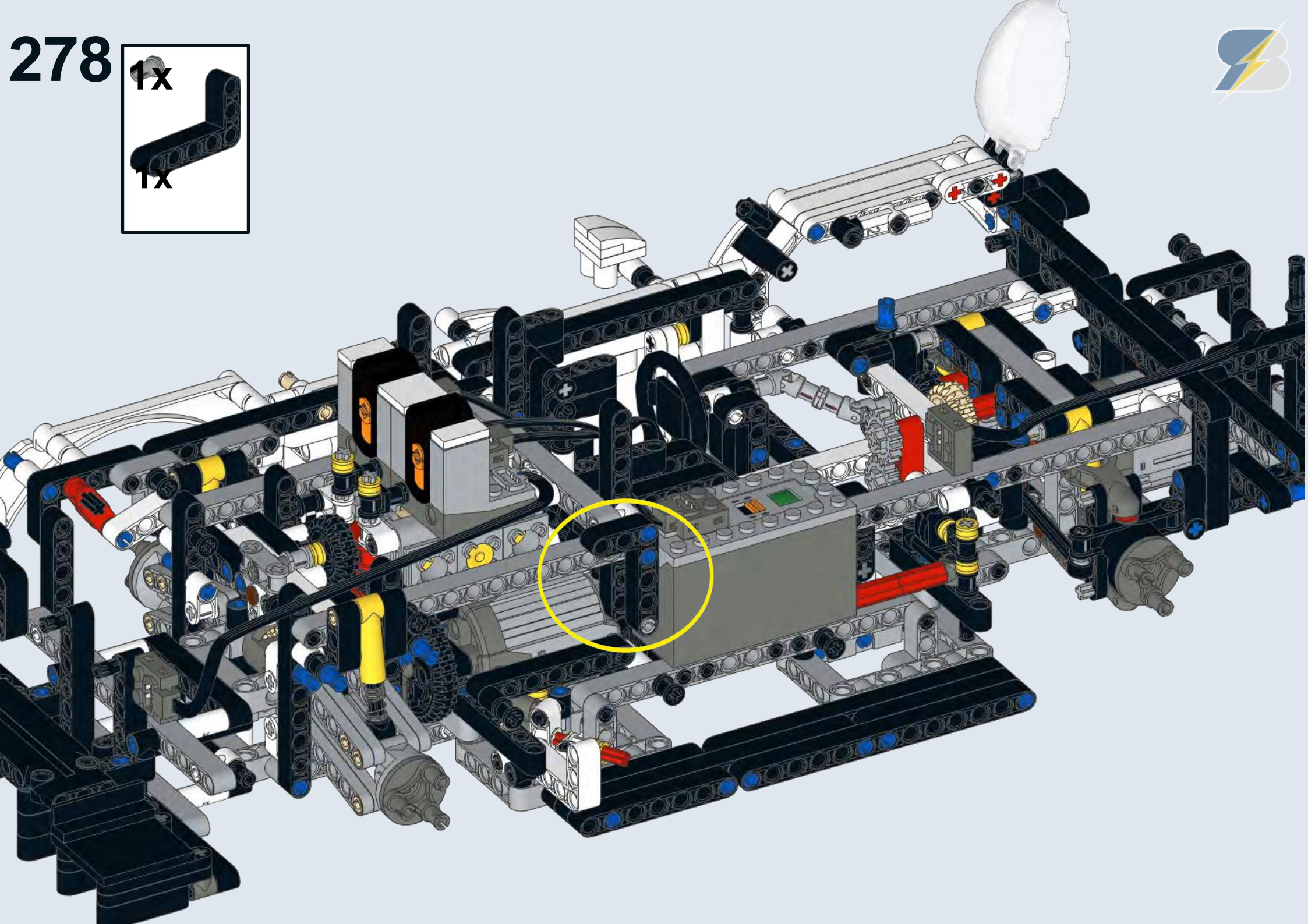
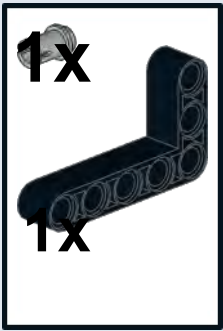
276



277

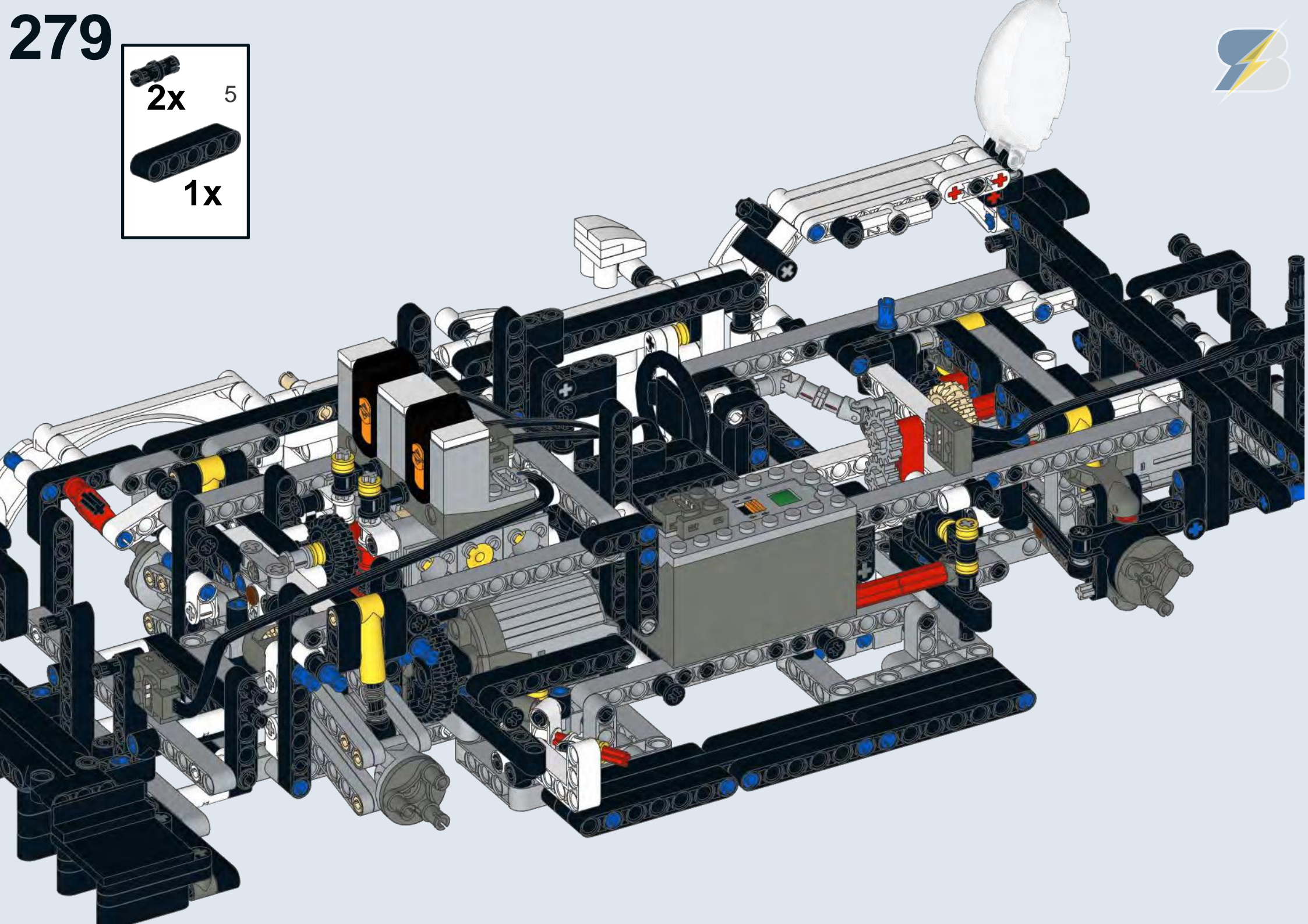


278



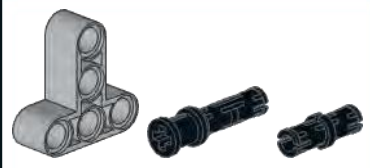
279

	5
2x	
	
1x	

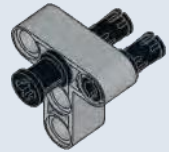




1



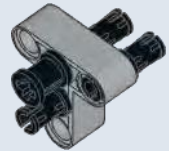
1x 1x 1x




2



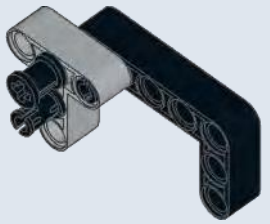
1x



3



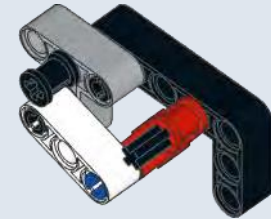
1x





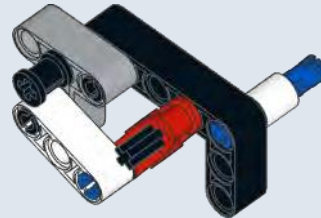
4

1x	1x	1x	1x



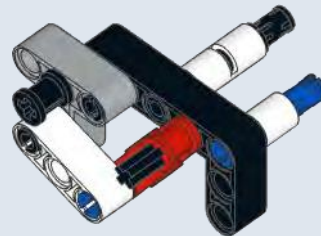
5

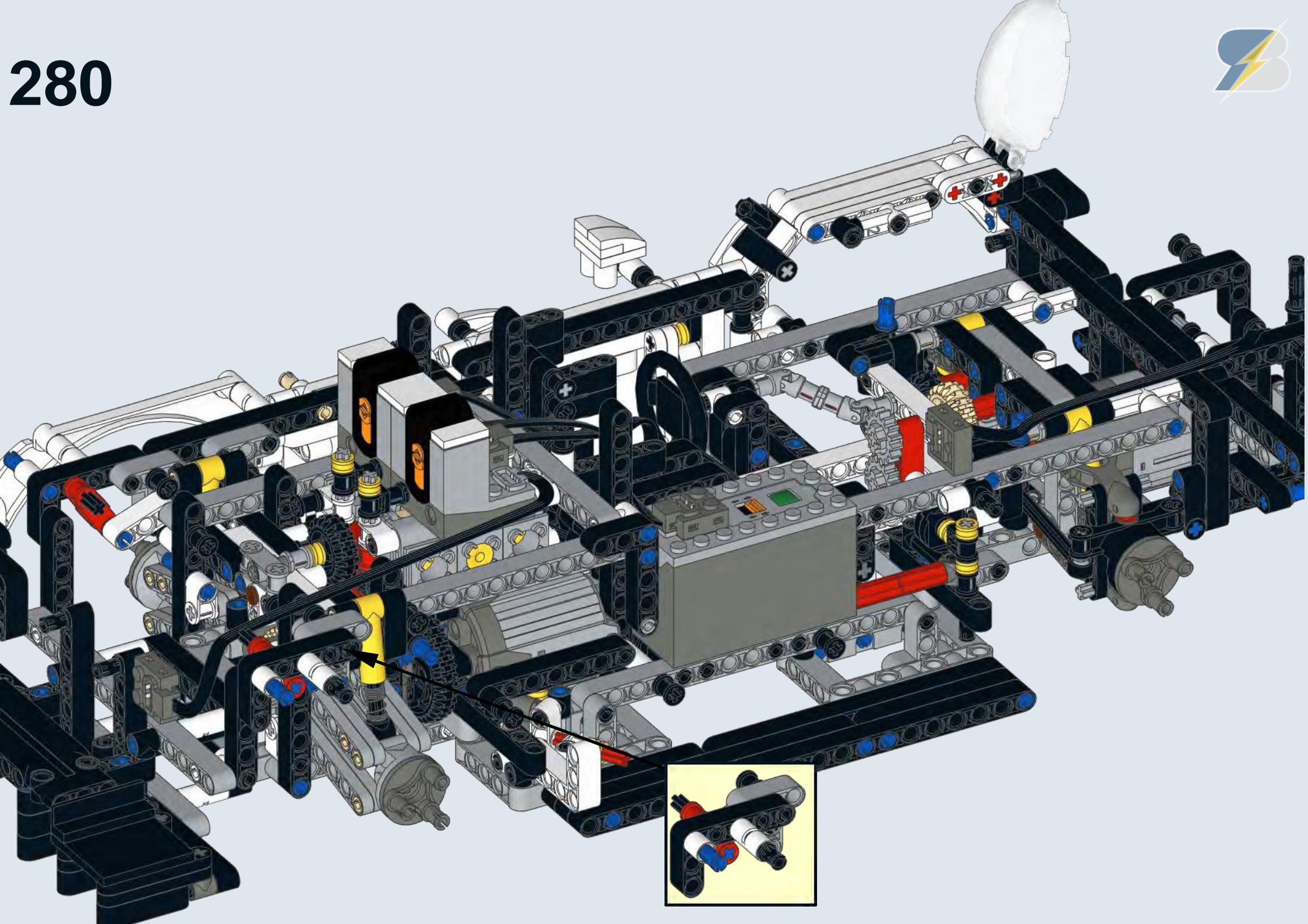
1x	1x



6

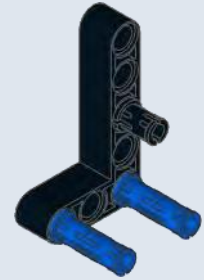
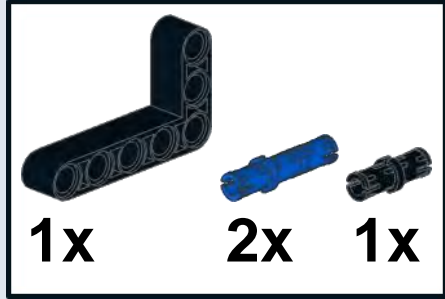
1x	2x



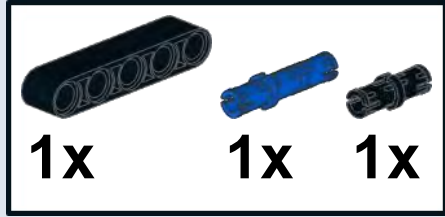




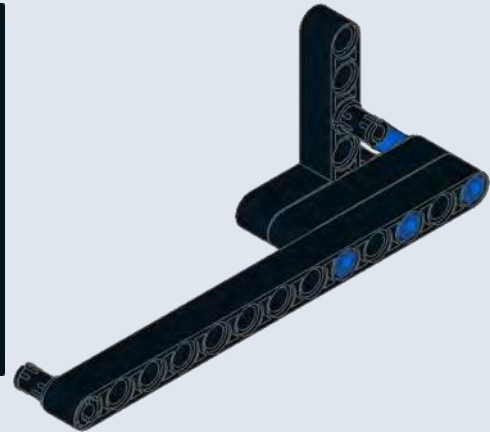
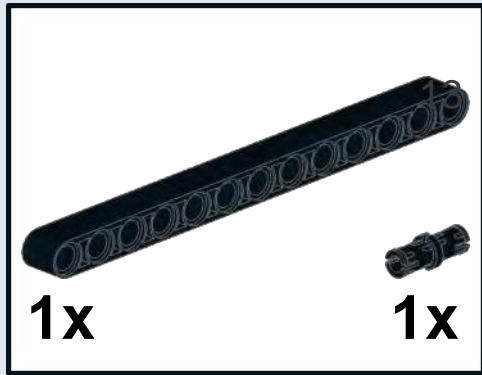
1



2

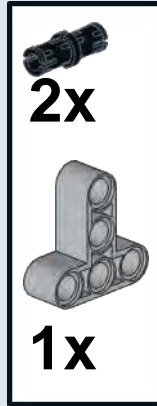


3

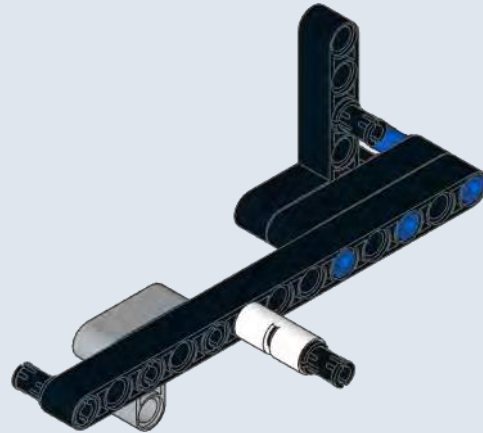


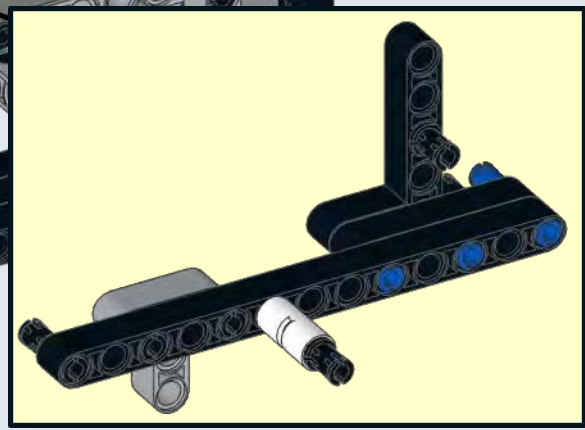
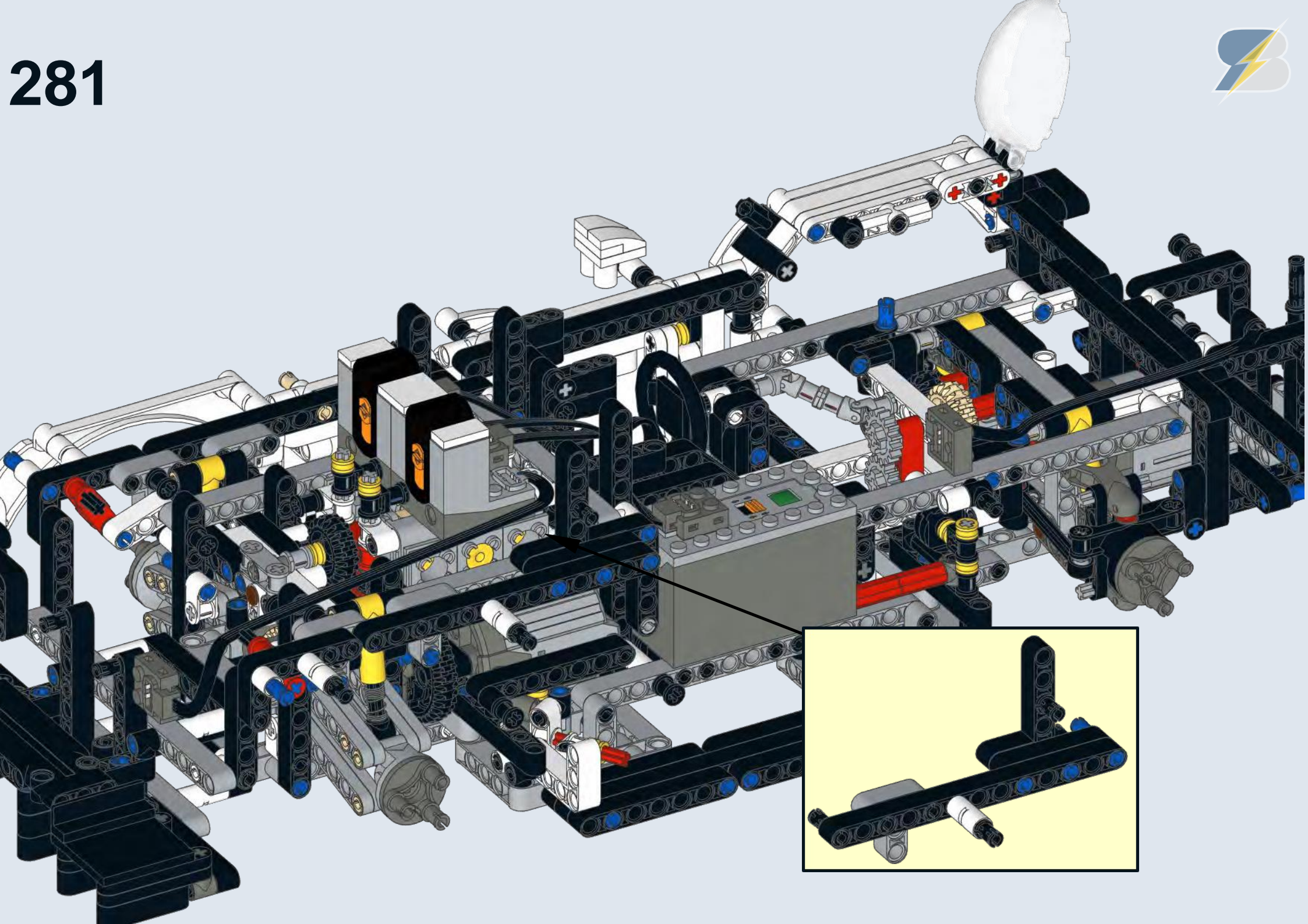


4

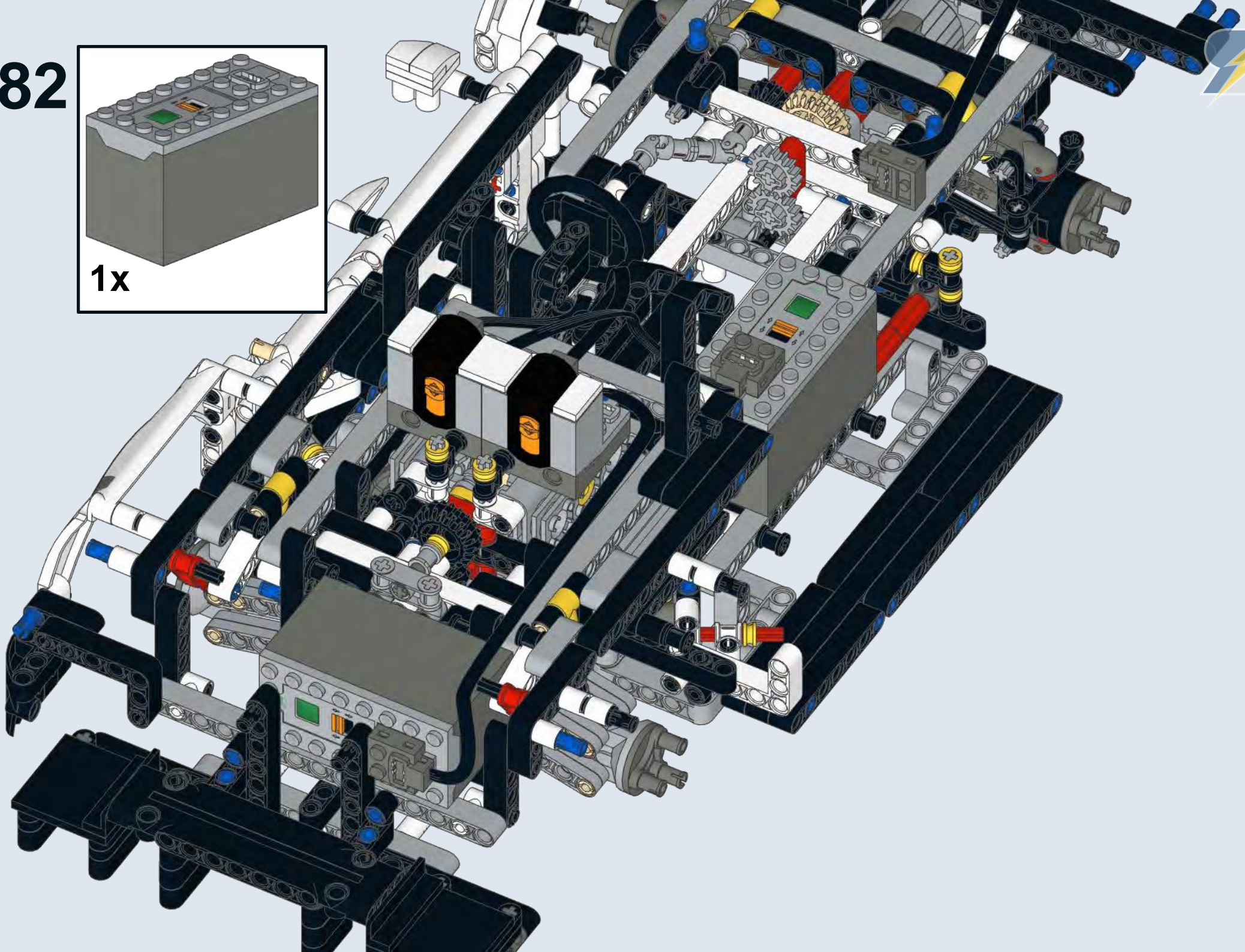
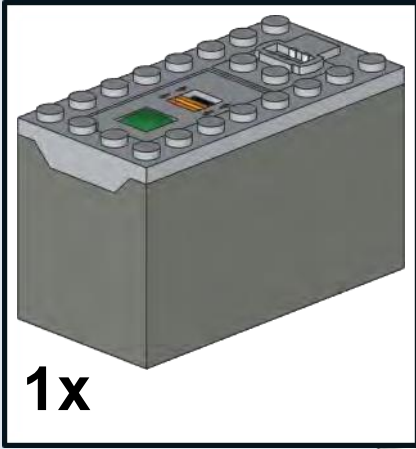


5

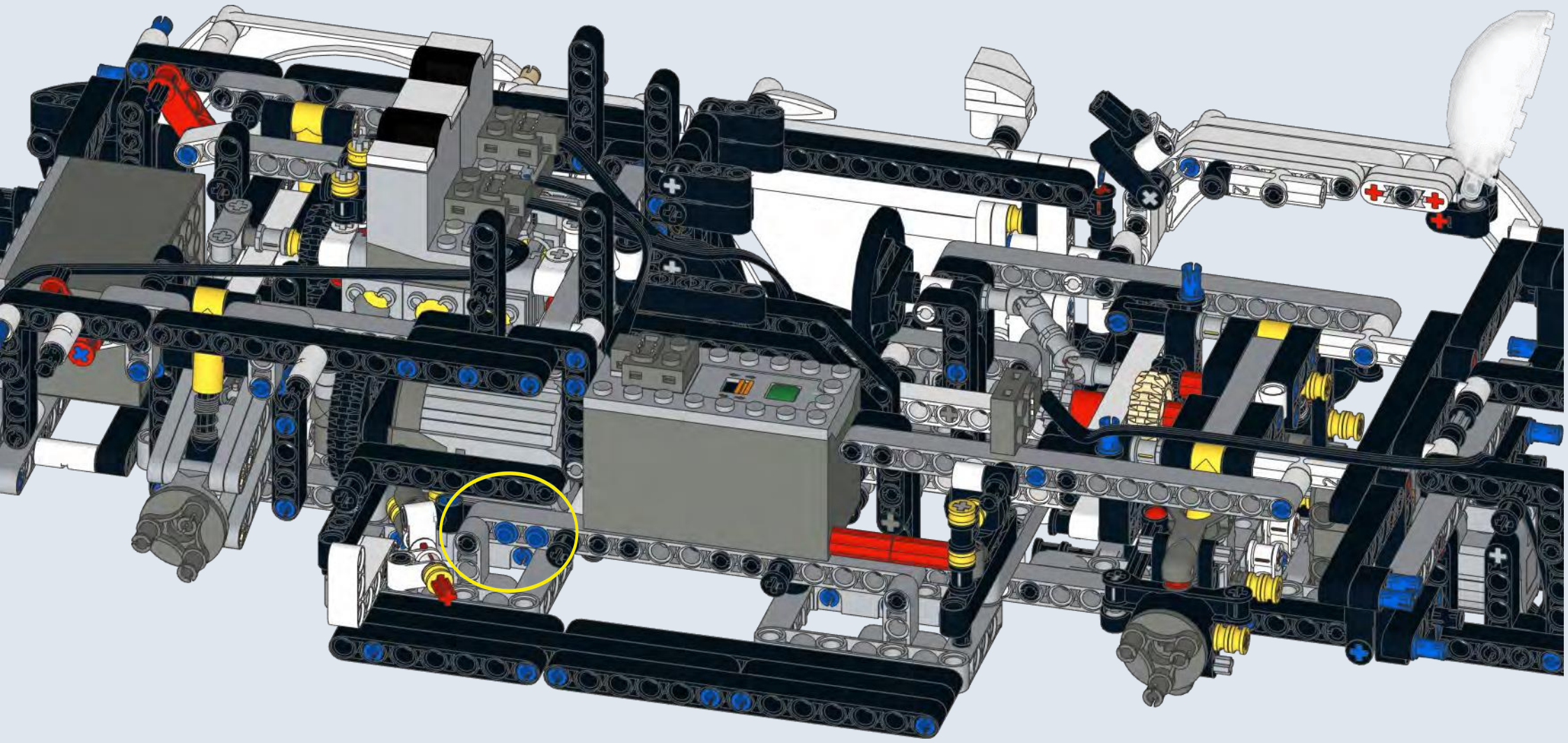




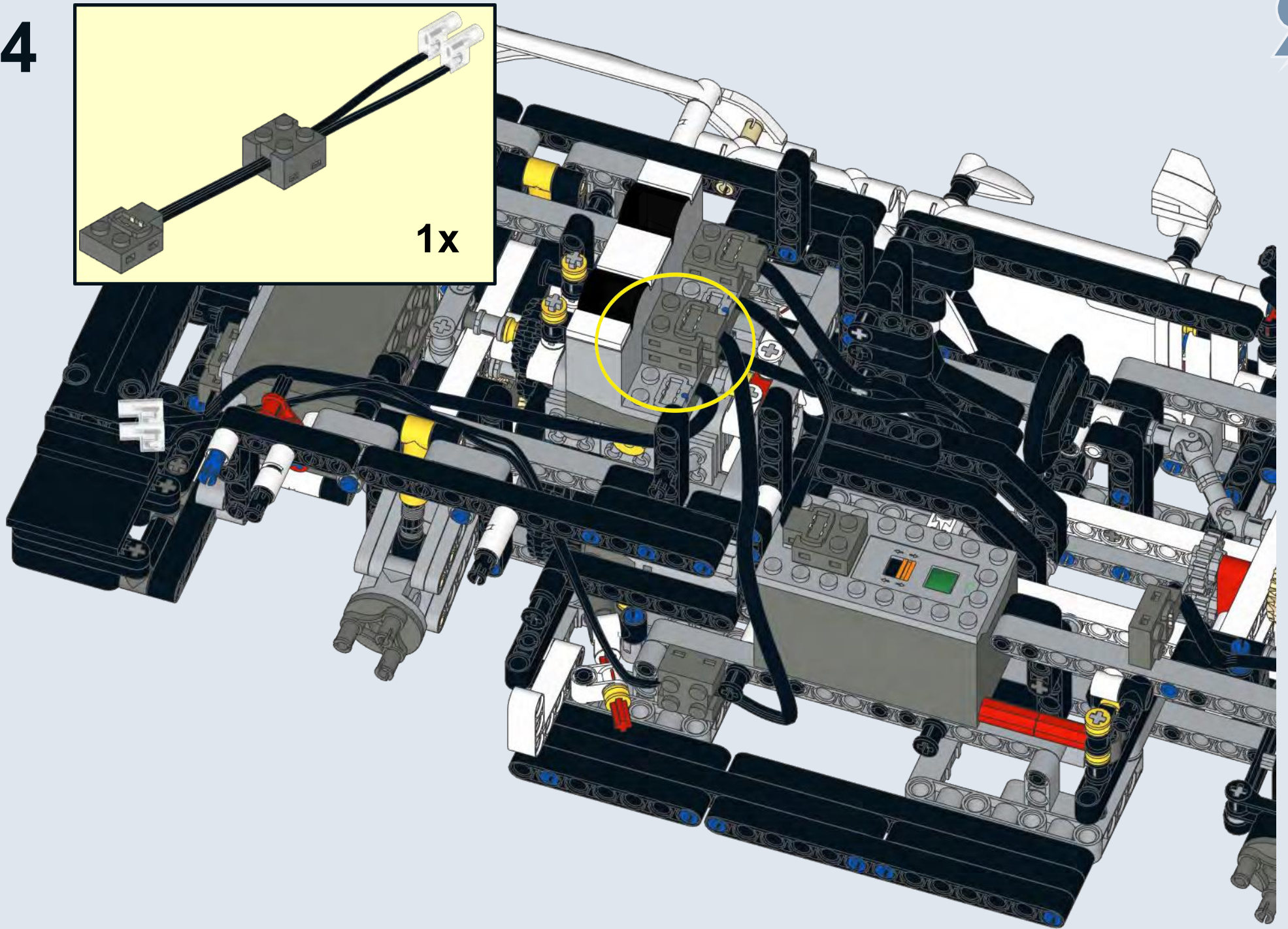
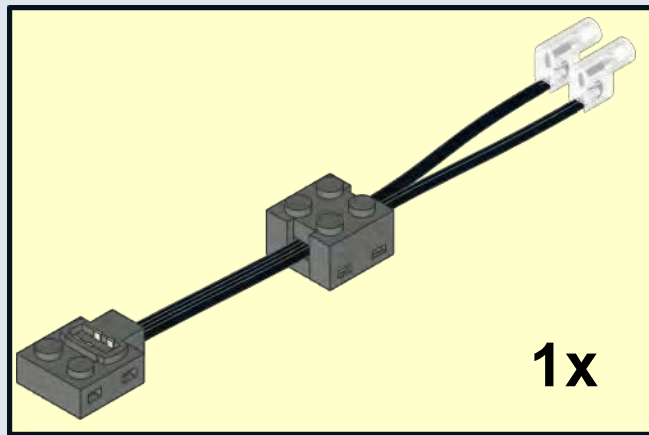
282



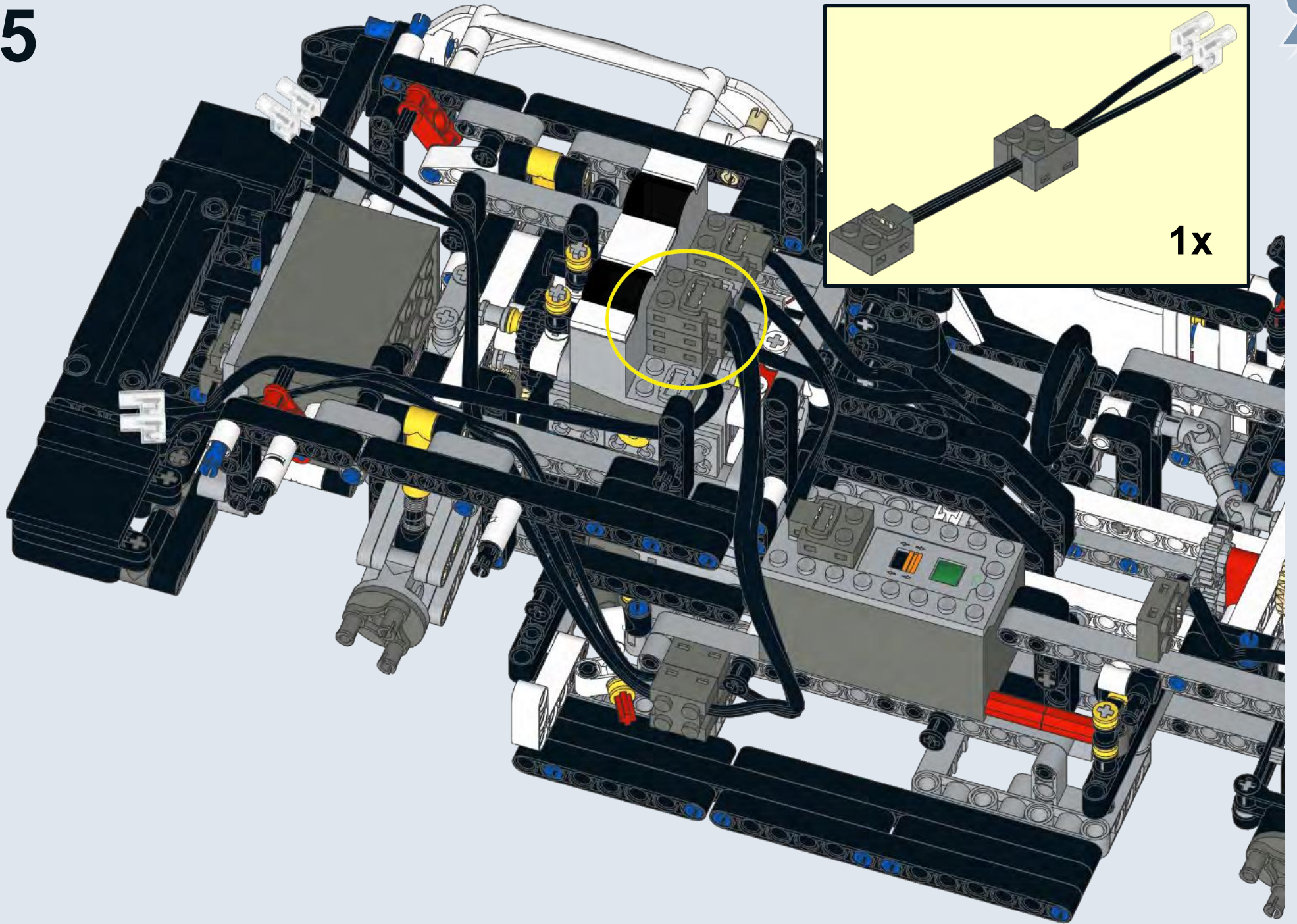
283



284

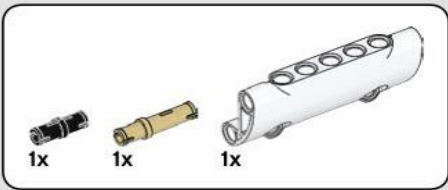


285

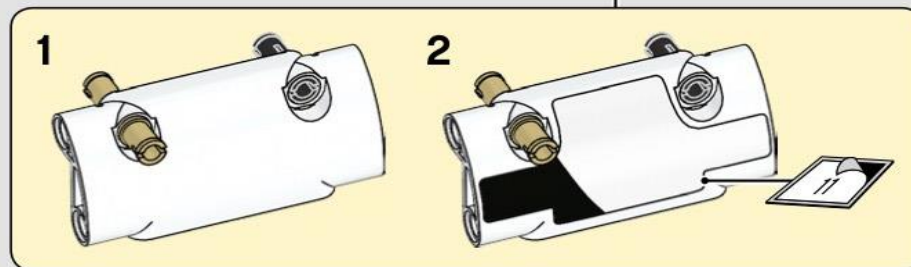
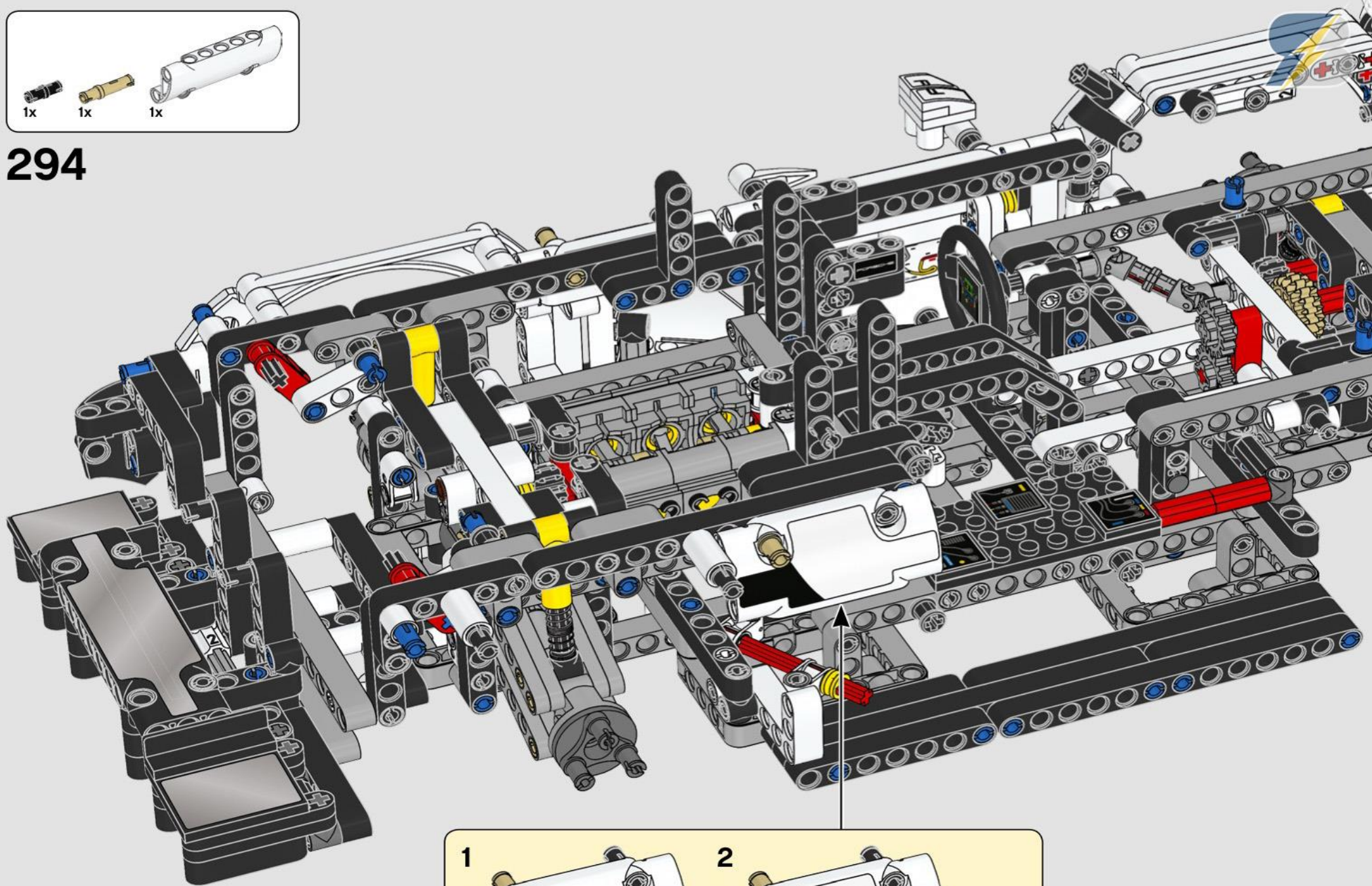


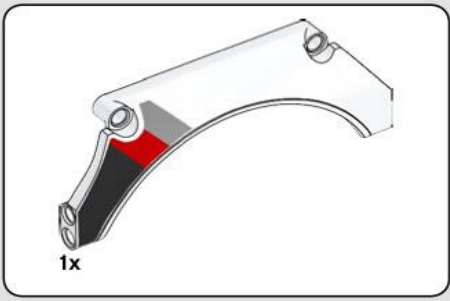


294-361
original steps

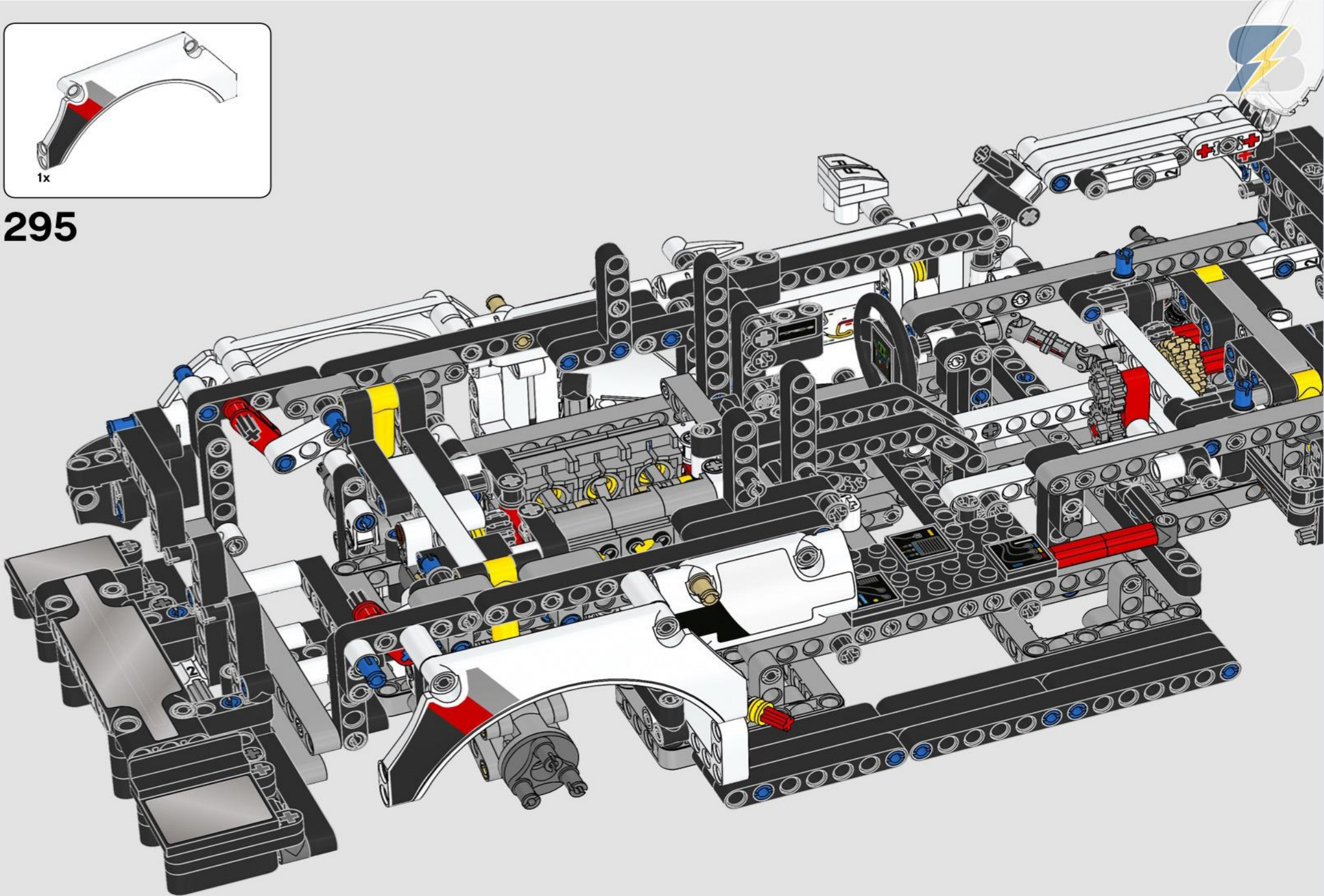


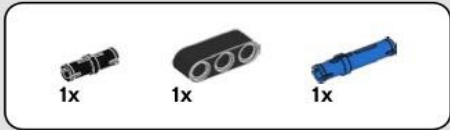
294



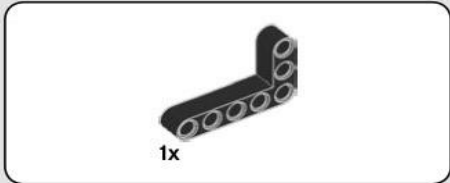


295

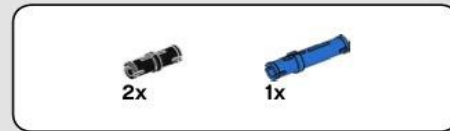




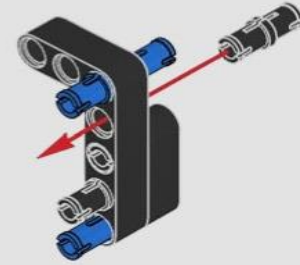
296



297

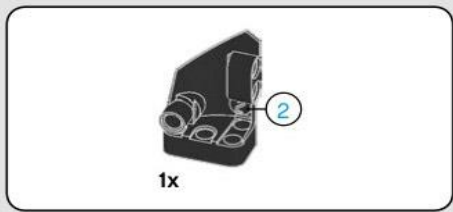


298

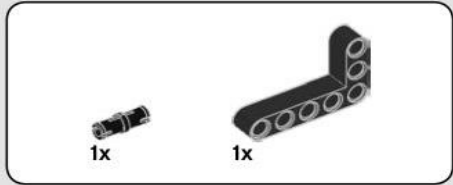
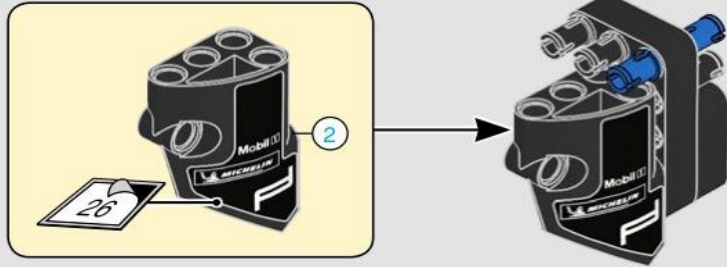


299

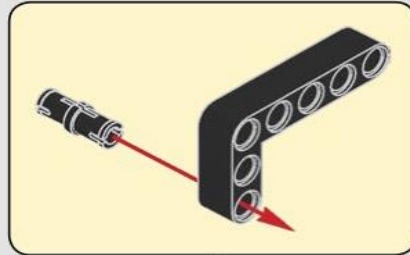




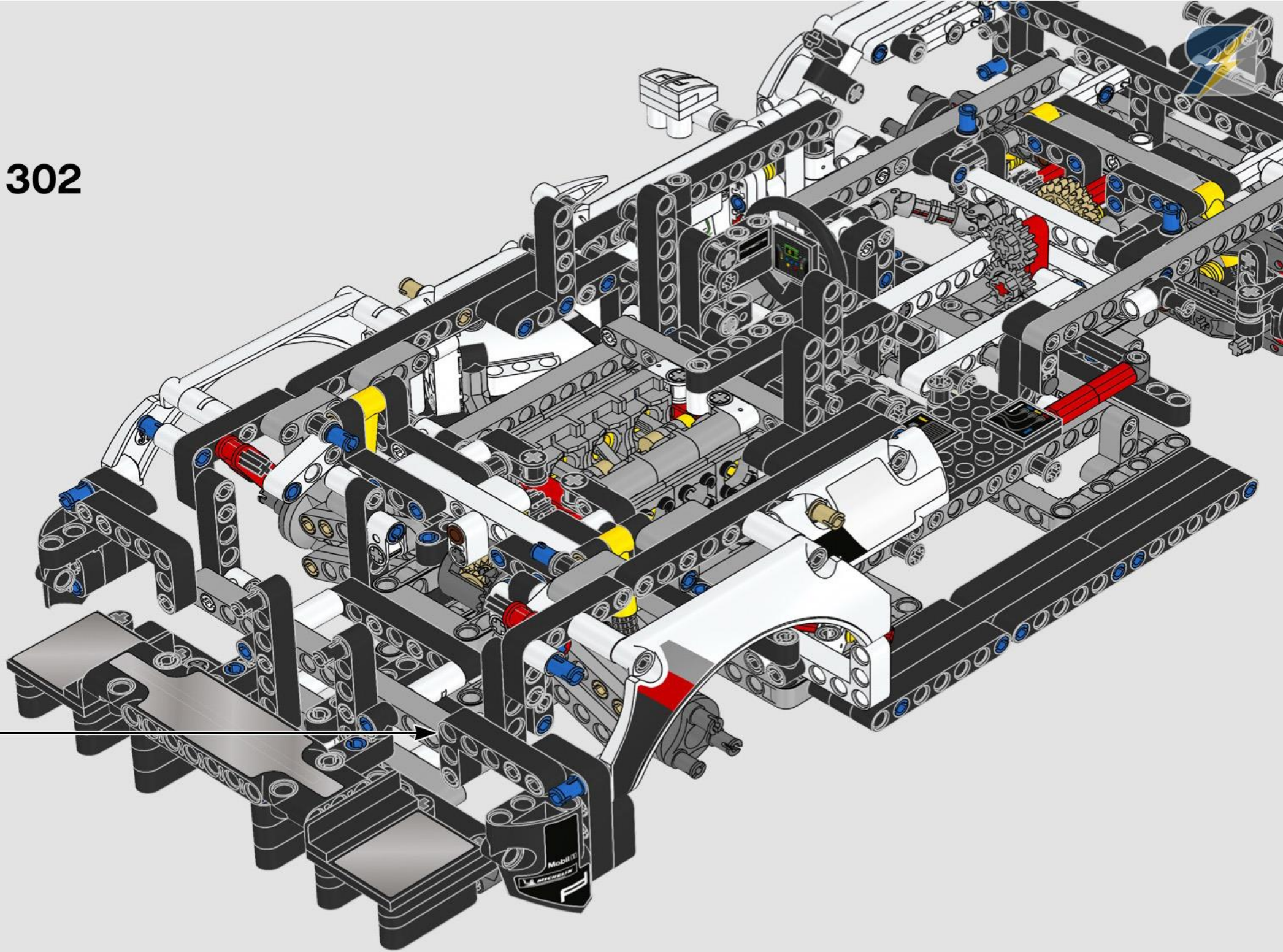
300

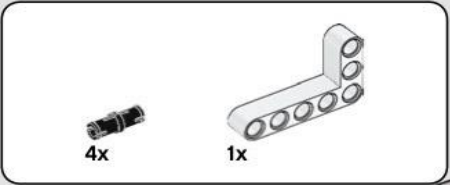


301

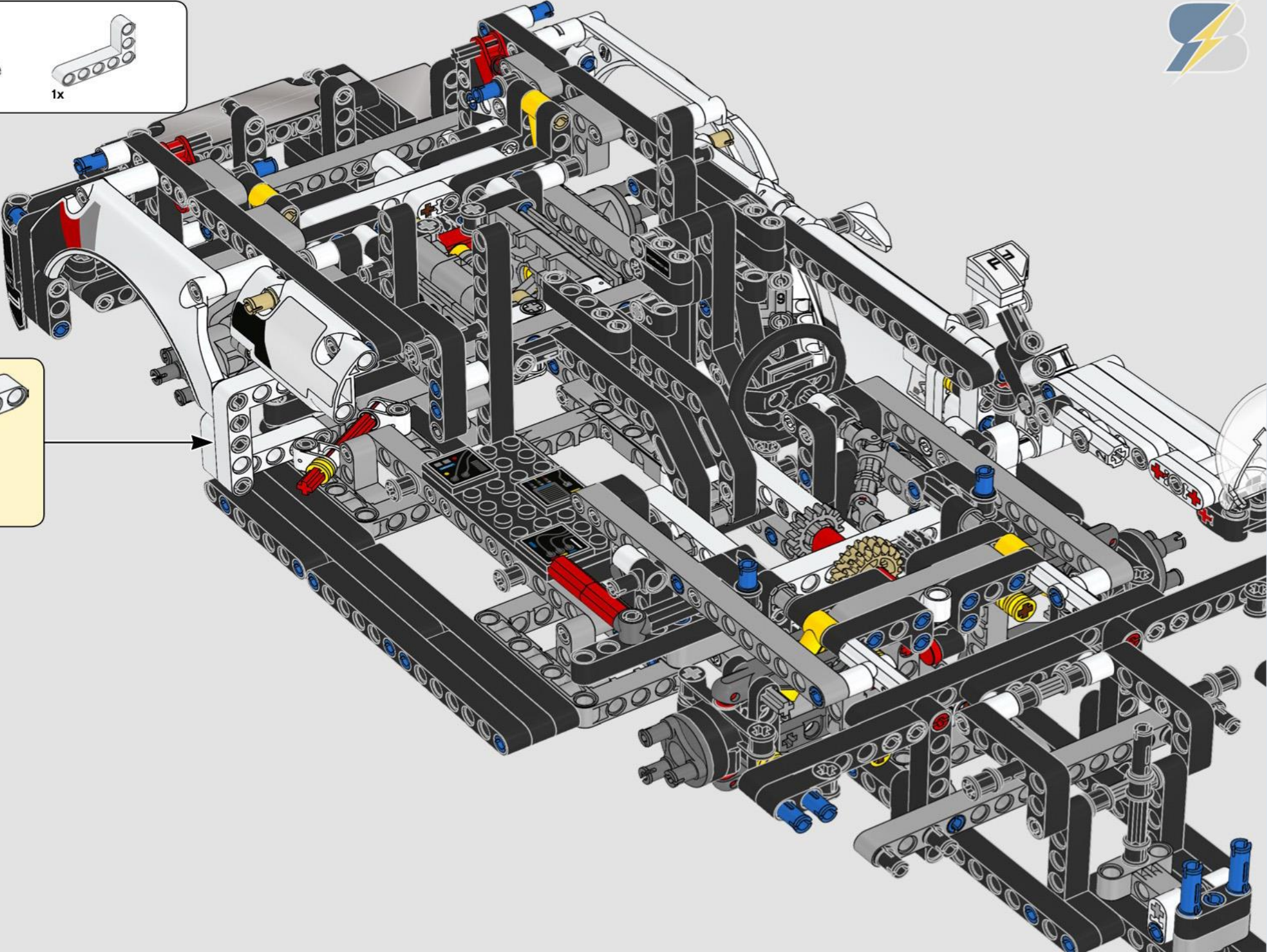
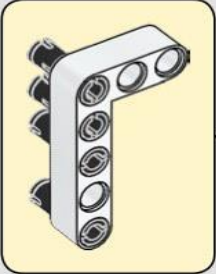


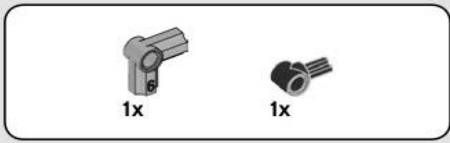
302





303

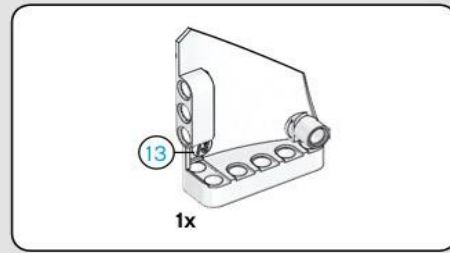
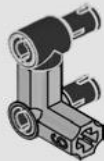




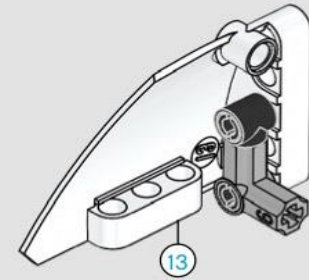
304



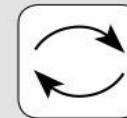
305

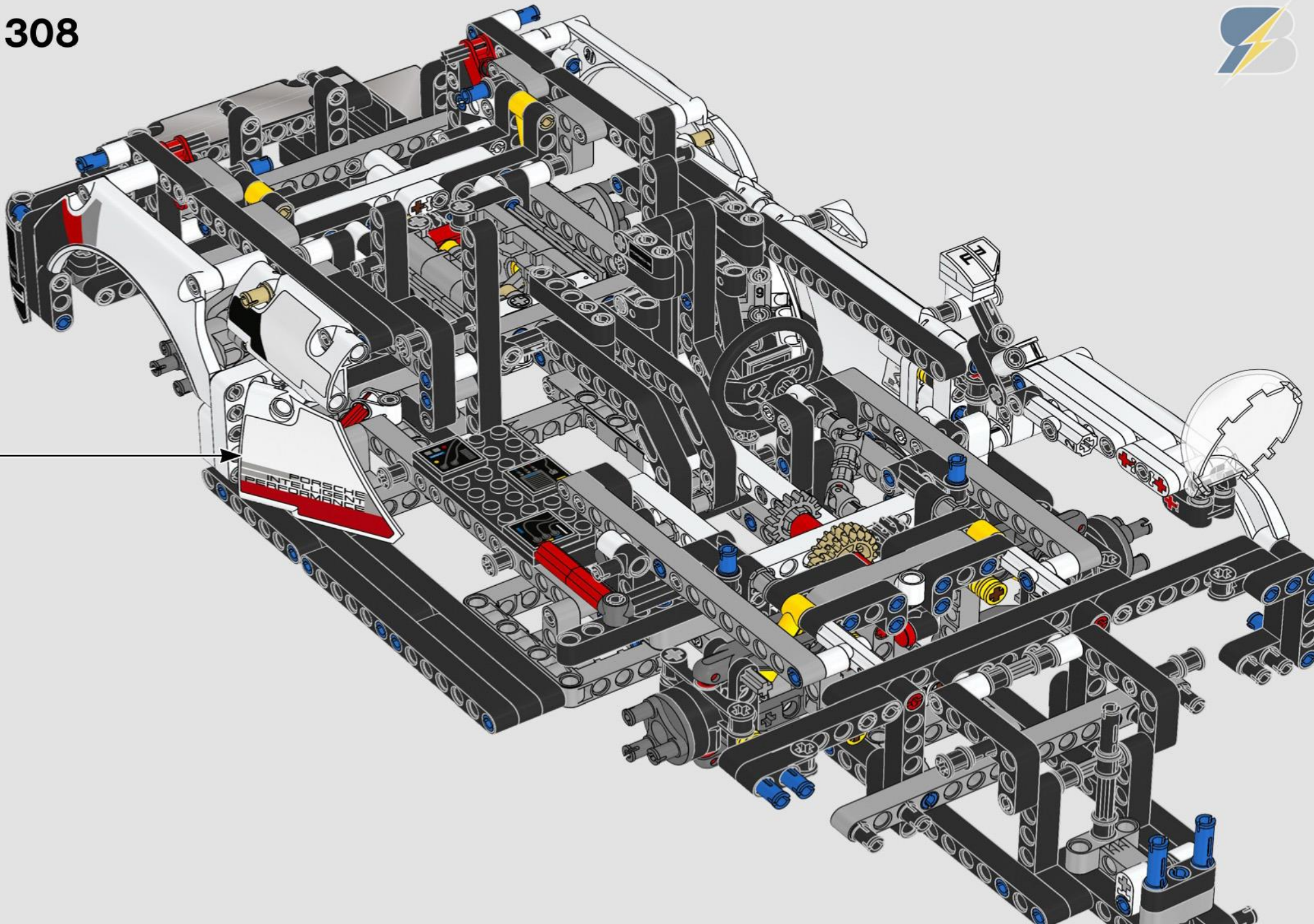


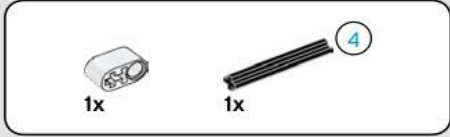
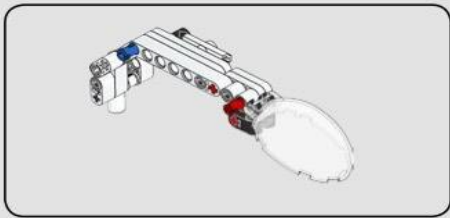
306



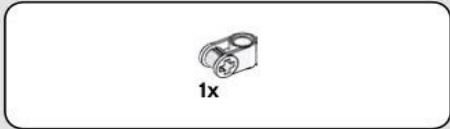
307







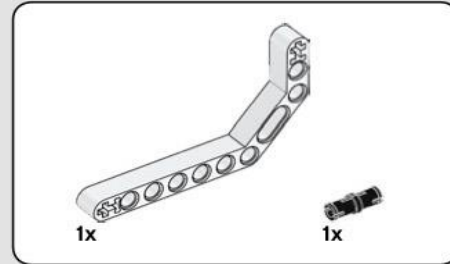
309



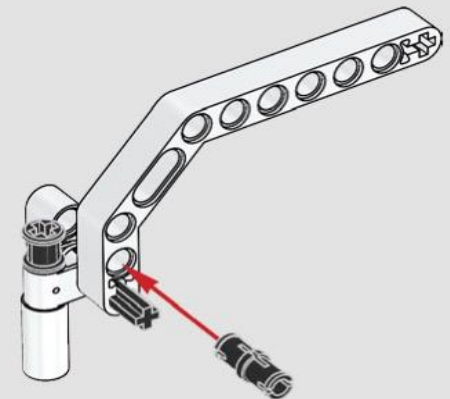
310



311



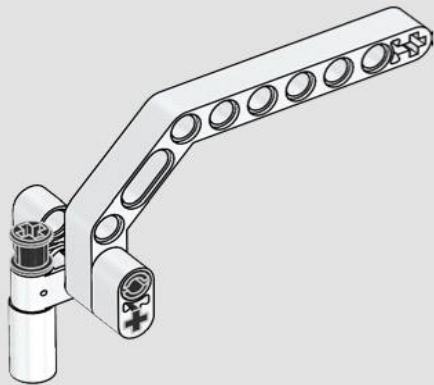
312





1x

313



1x



1x



1x

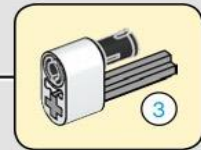
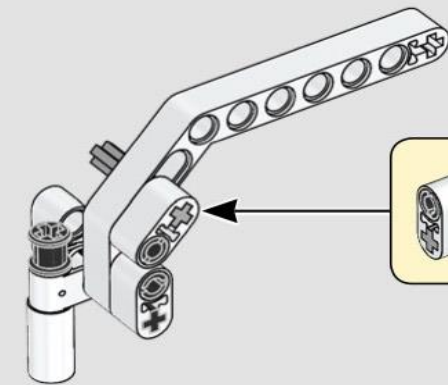
3



3

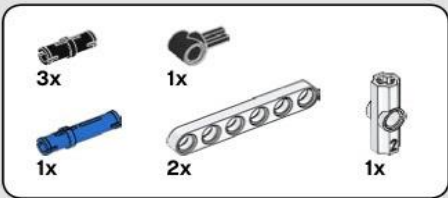
1:1

314

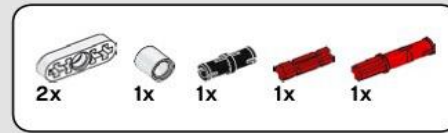
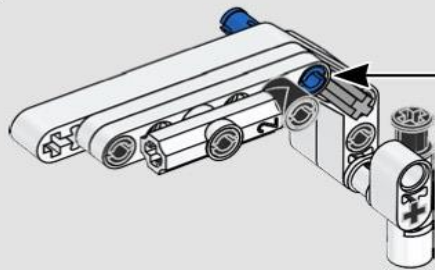
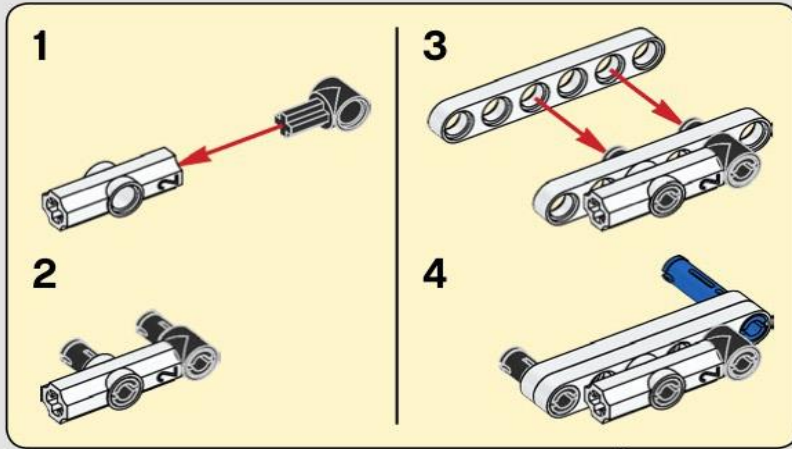


3

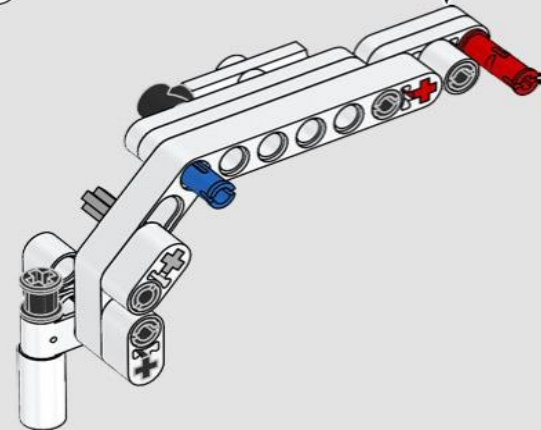
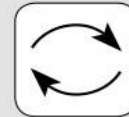
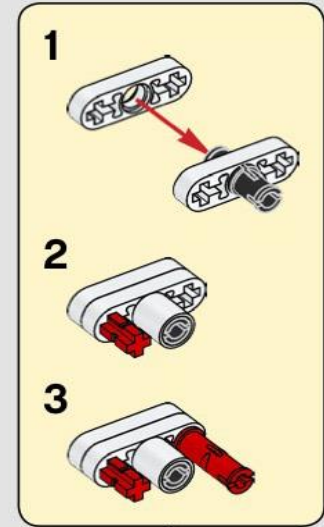


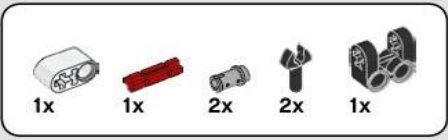


315

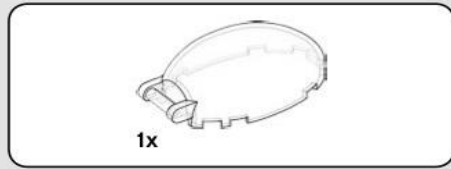
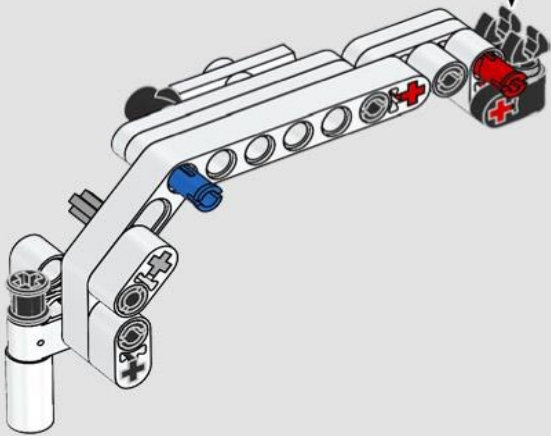
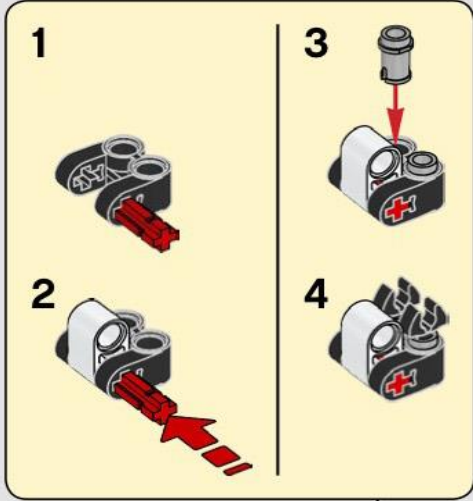


316

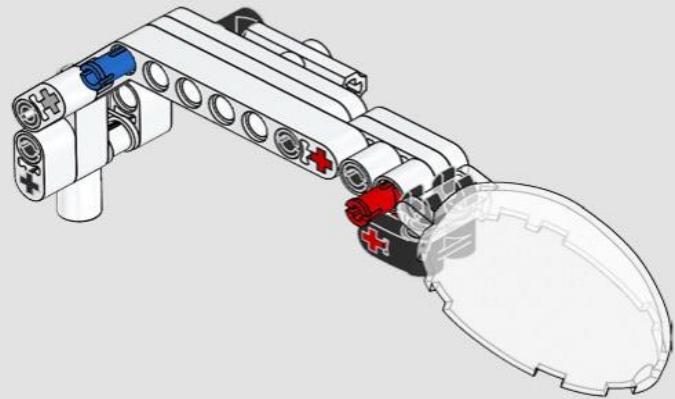
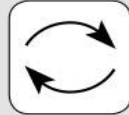




317

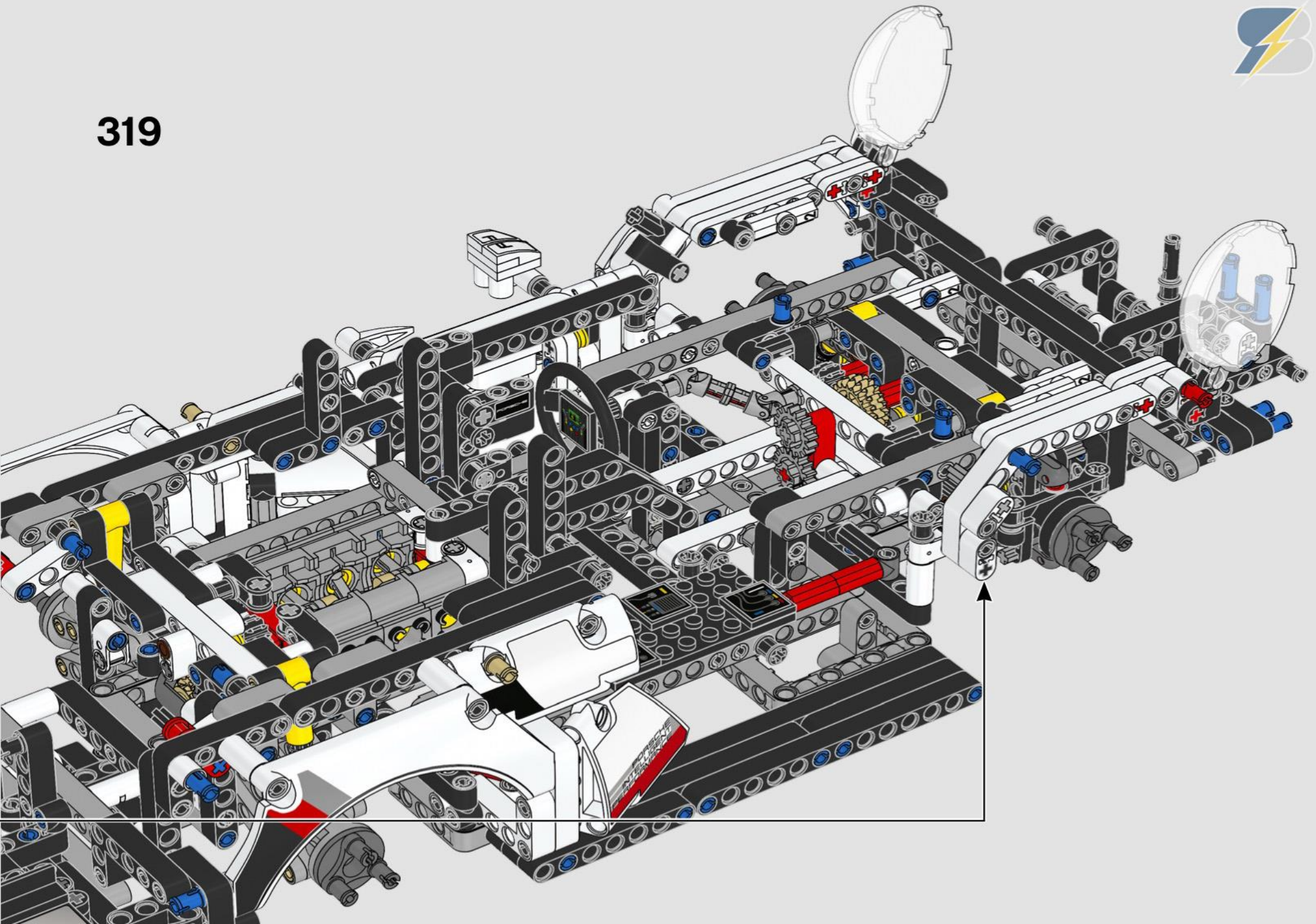


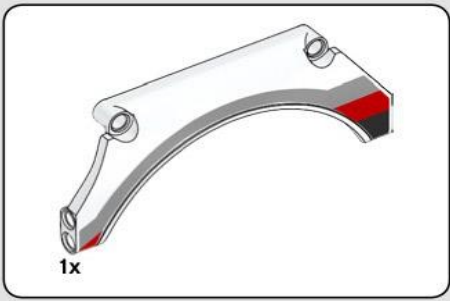
318



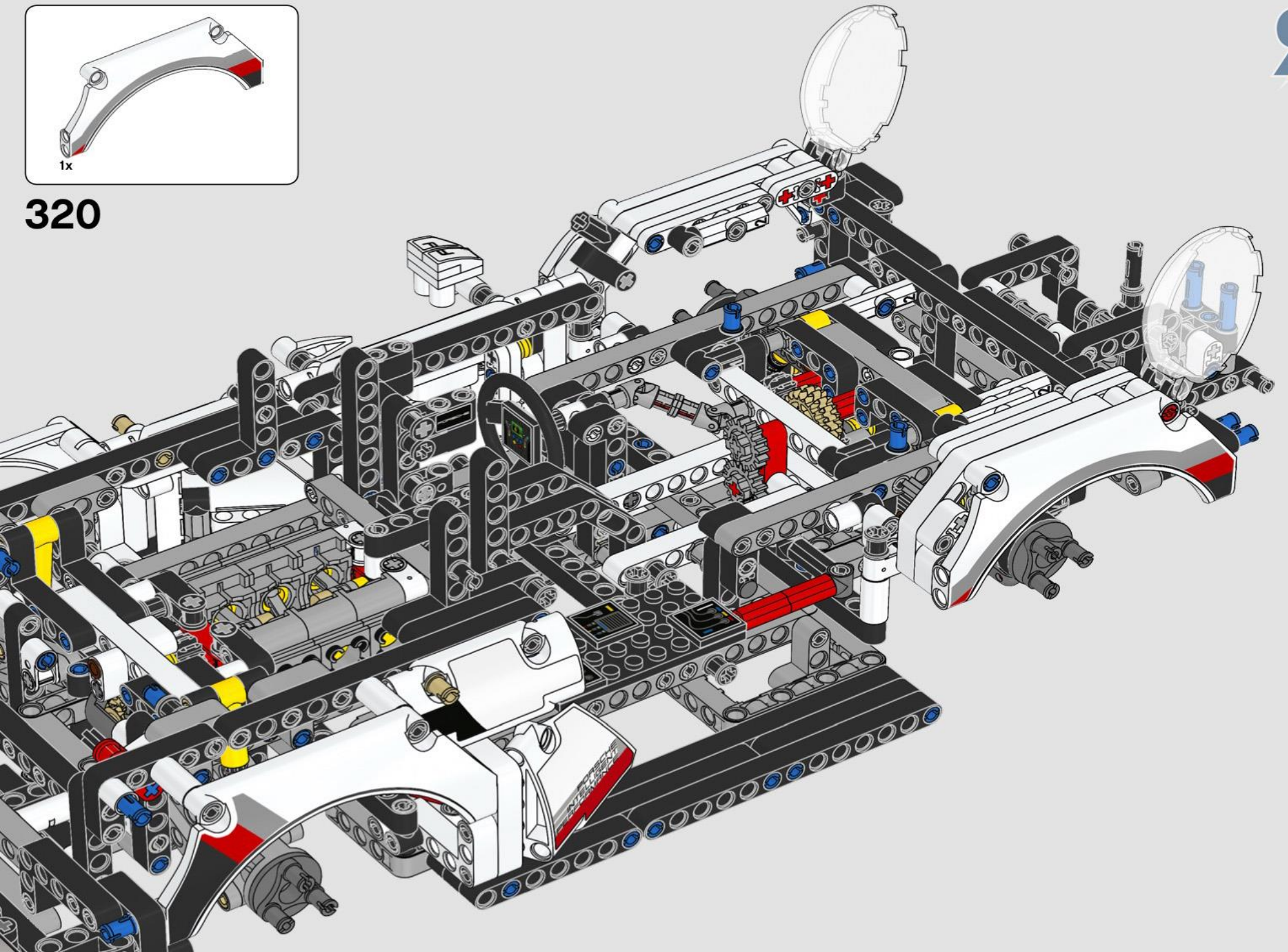


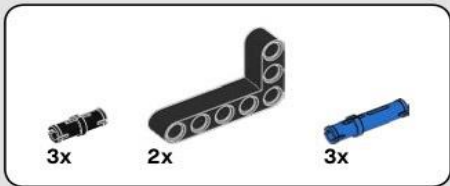
319



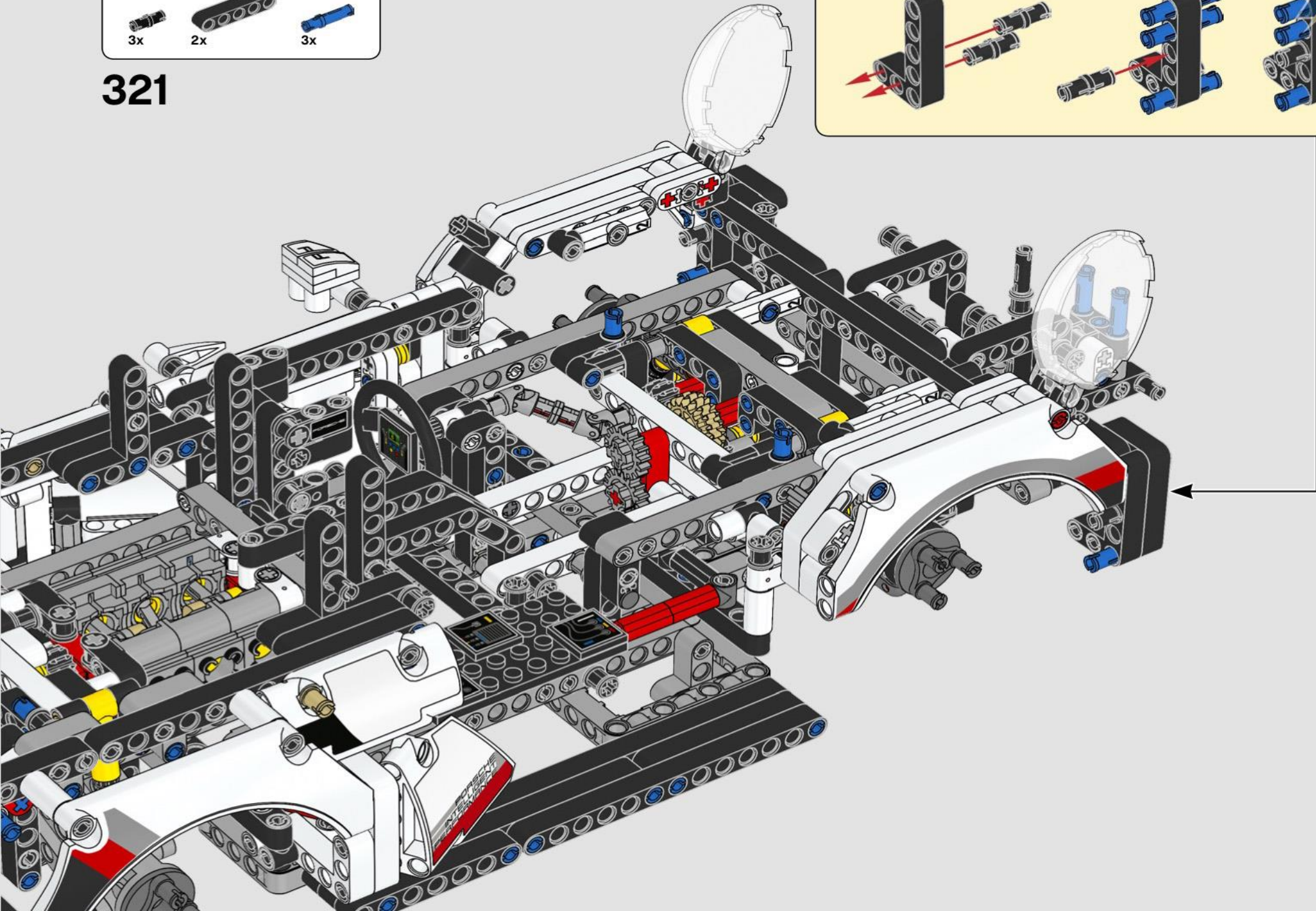
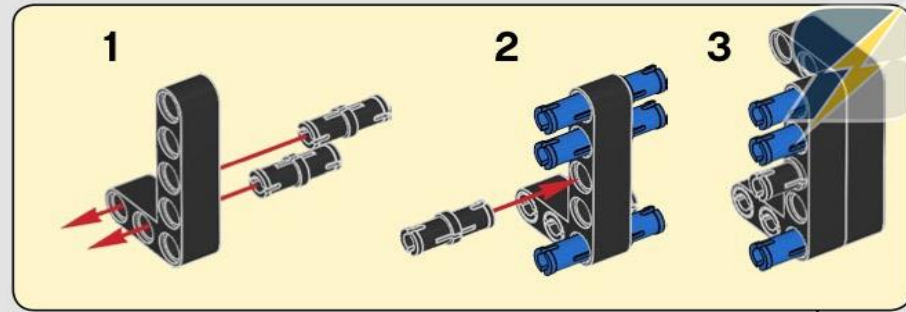


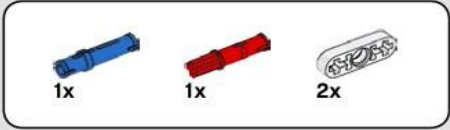
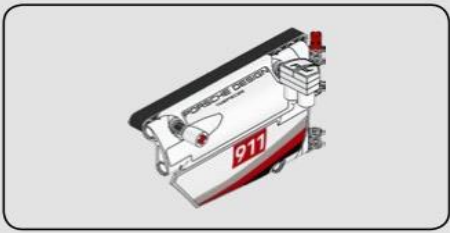
320



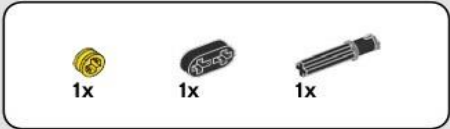
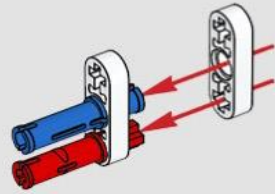


321

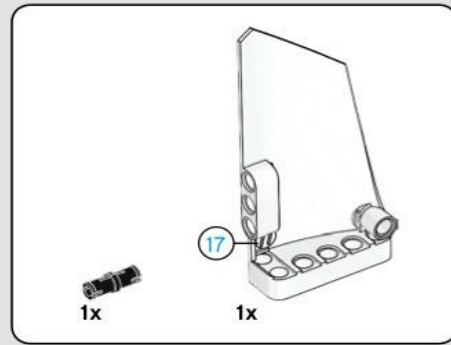
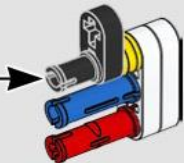
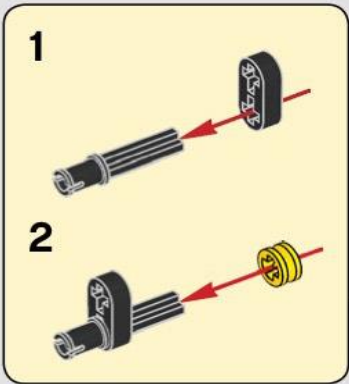




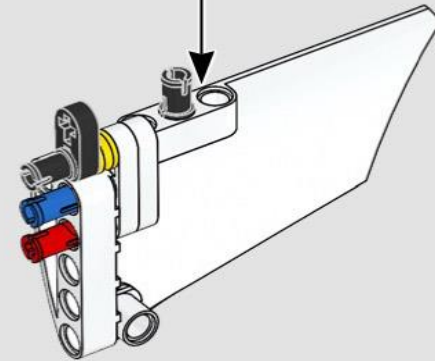
322

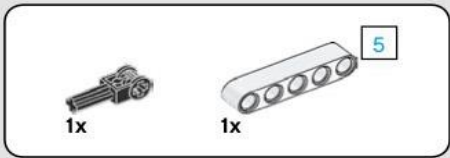


323

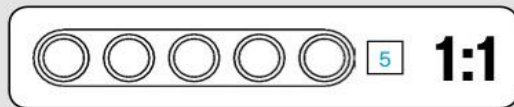
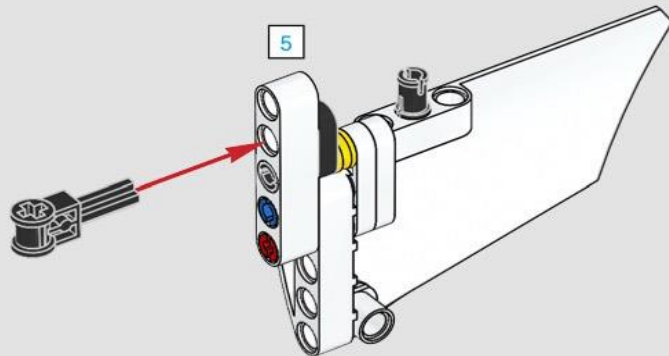


324

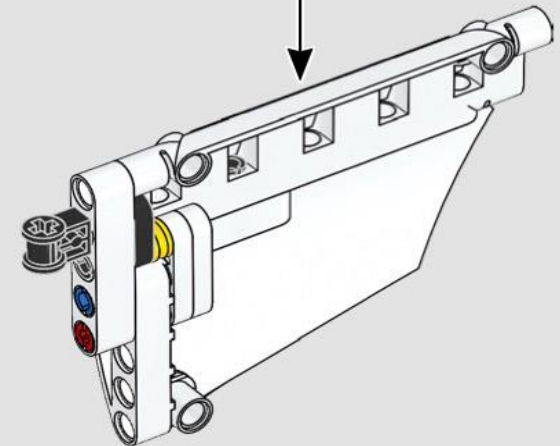
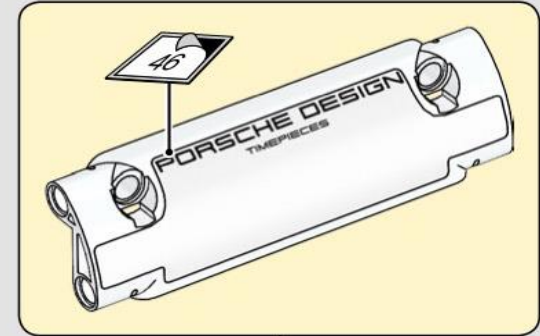


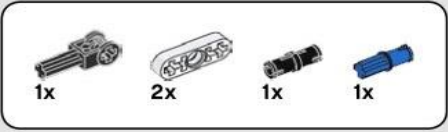


325

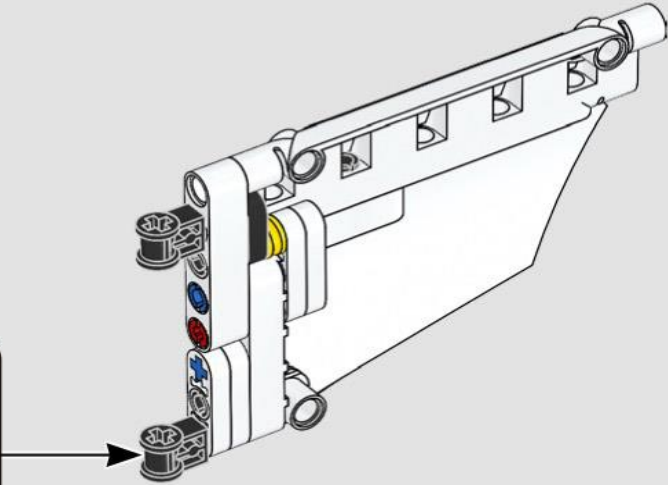
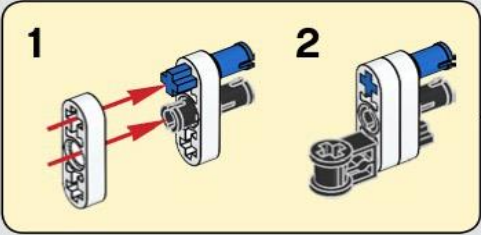


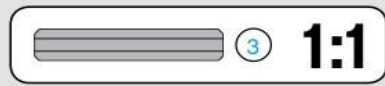
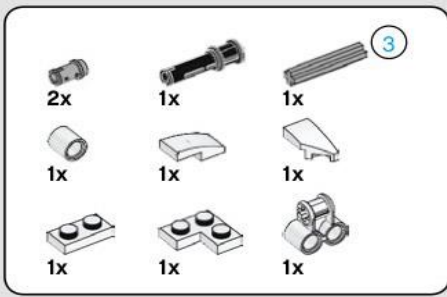
326



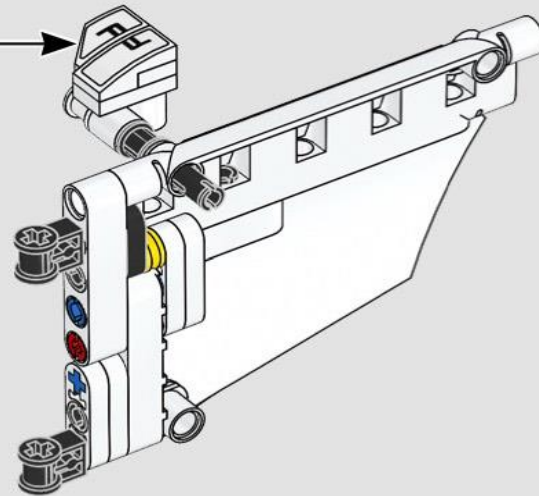
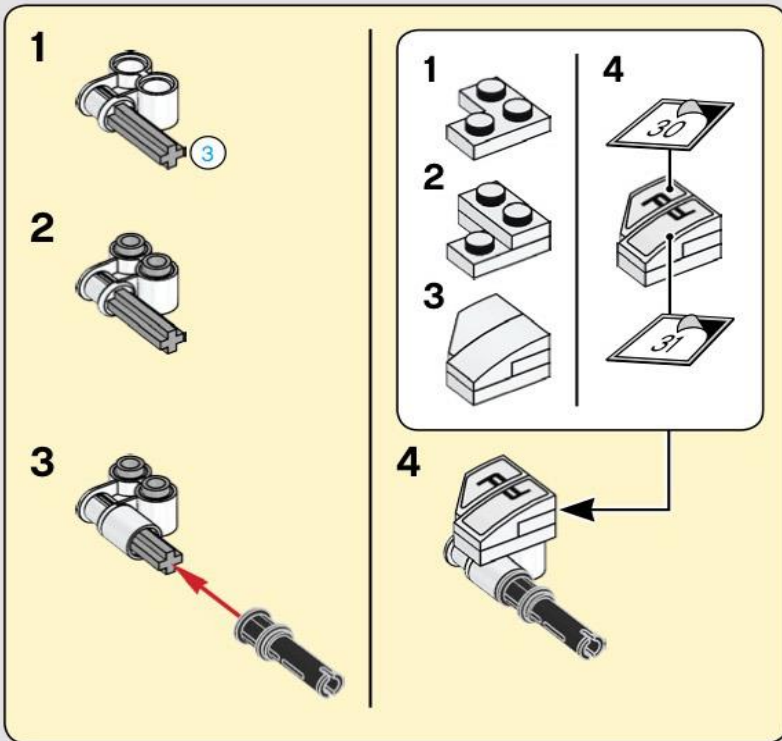


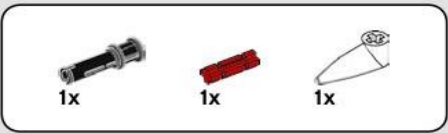
327



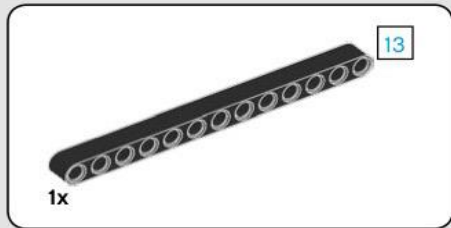
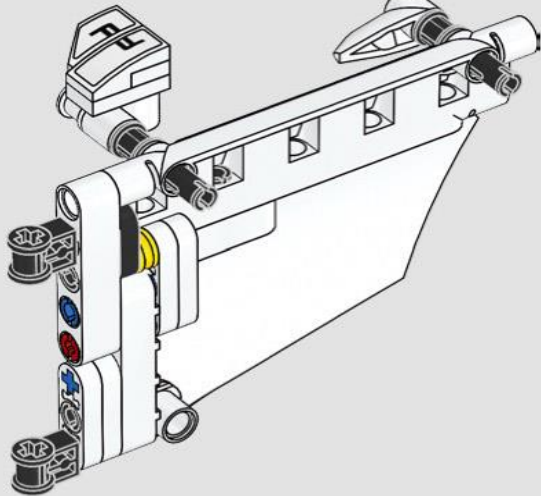
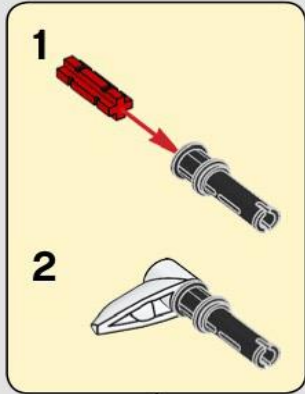


328

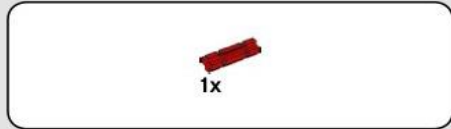
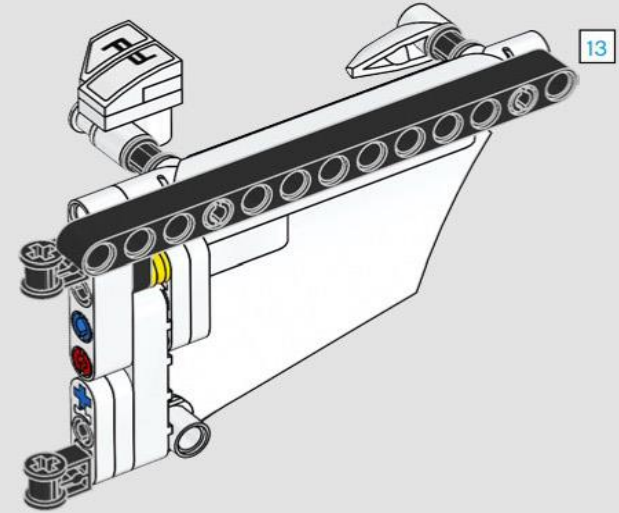




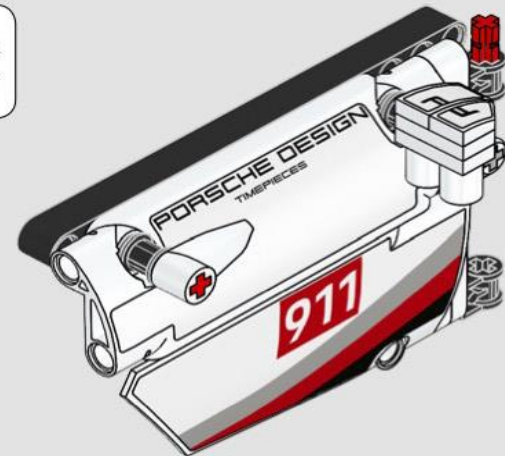
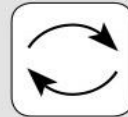
329



330

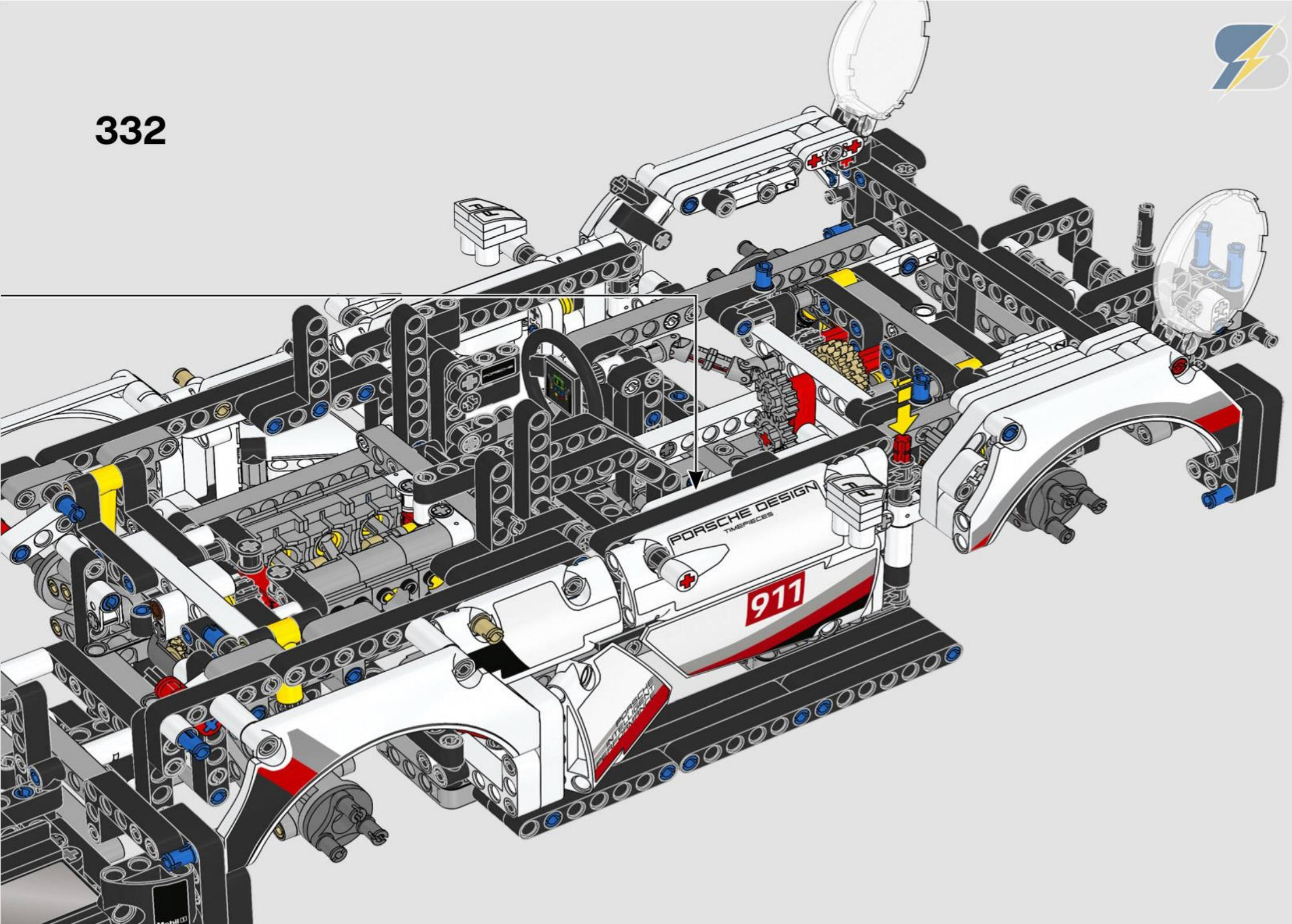


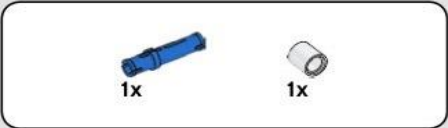
331



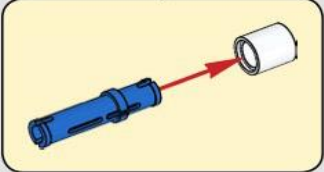
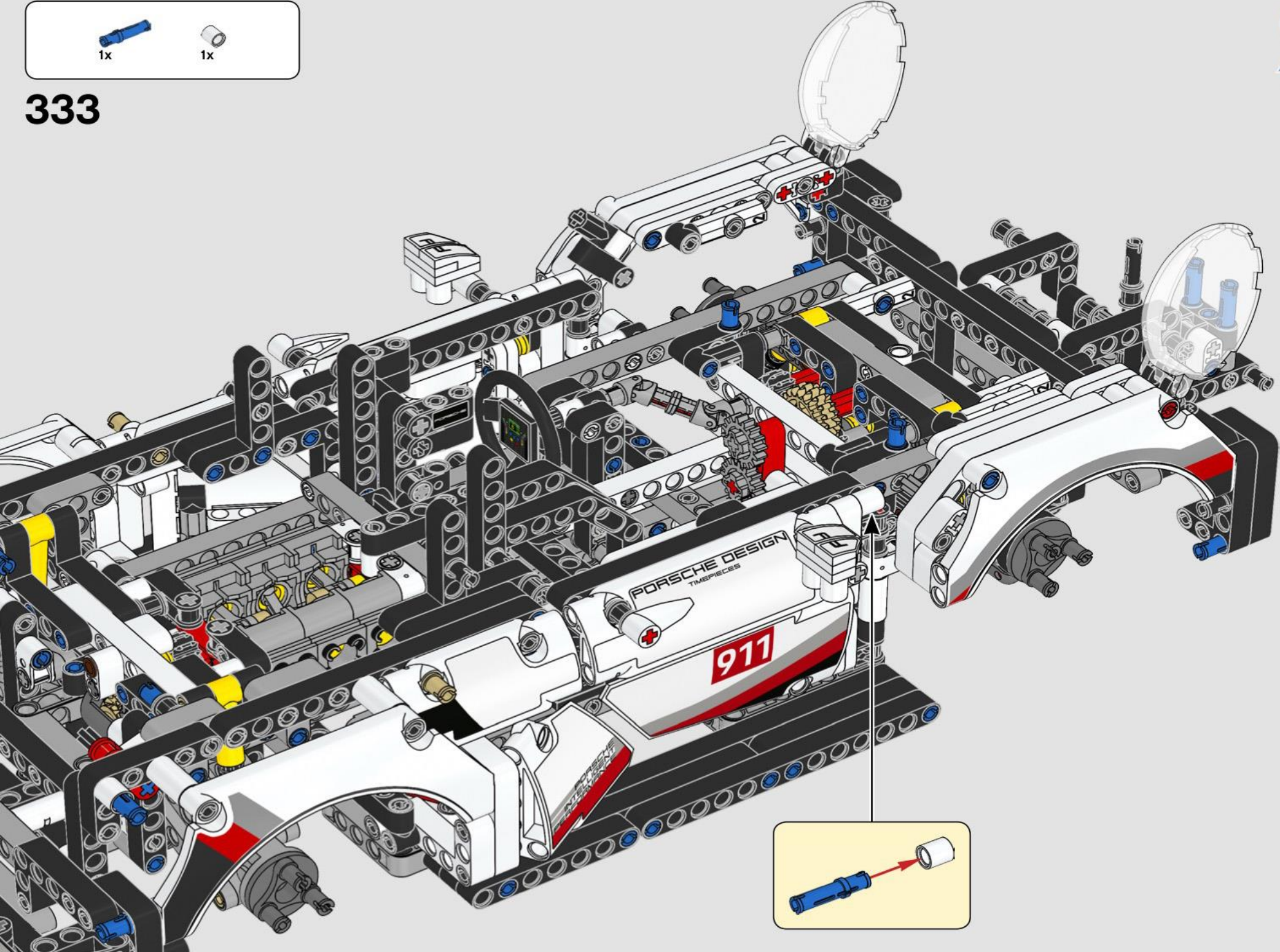


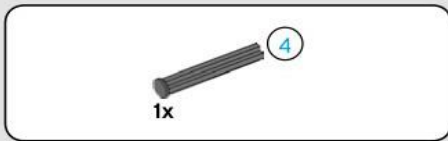
332



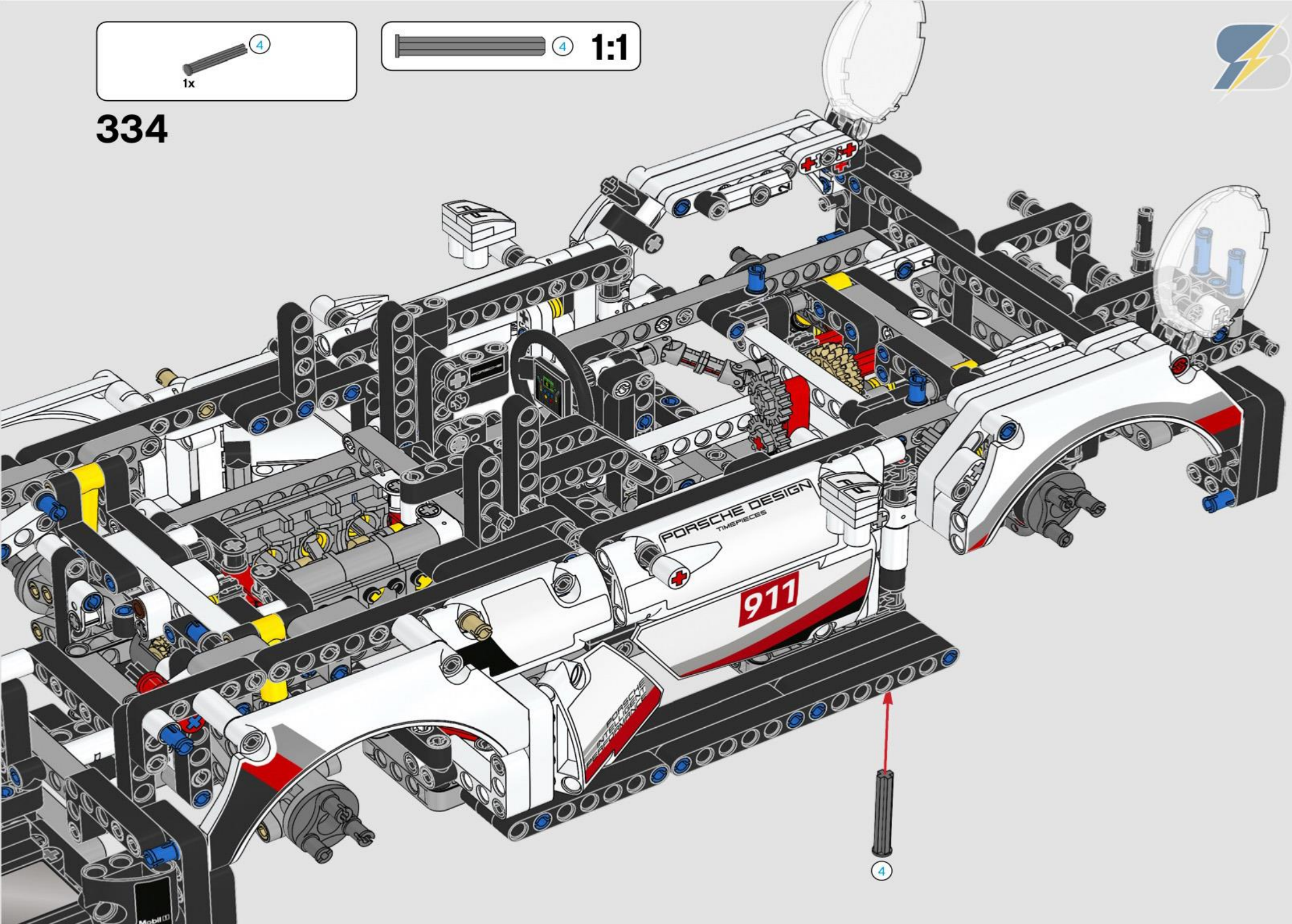


333

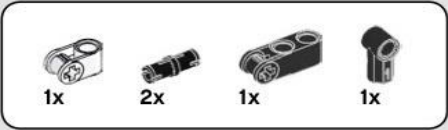




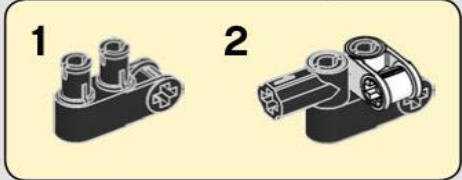
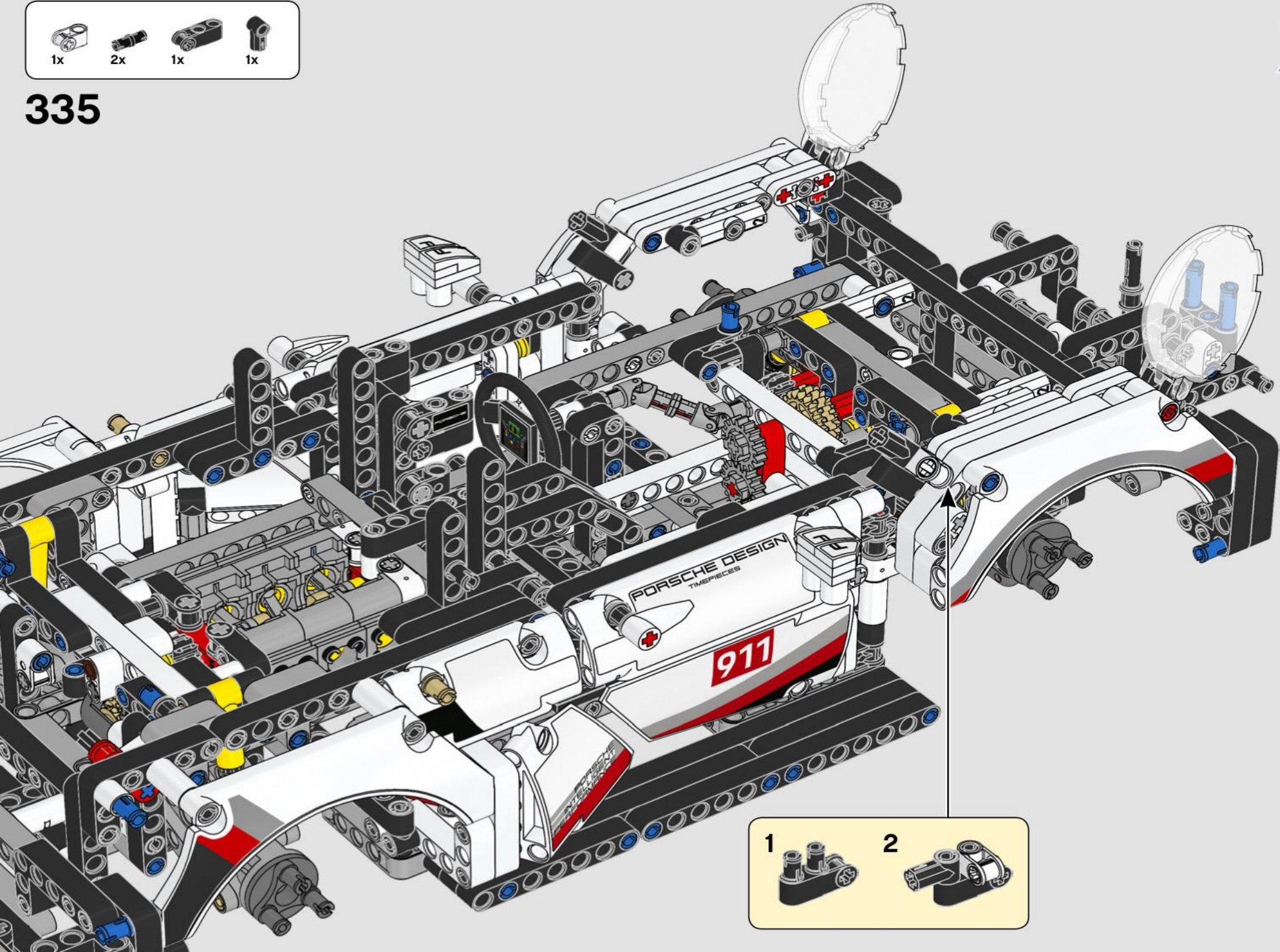
334

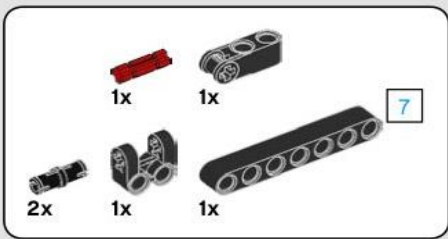


4

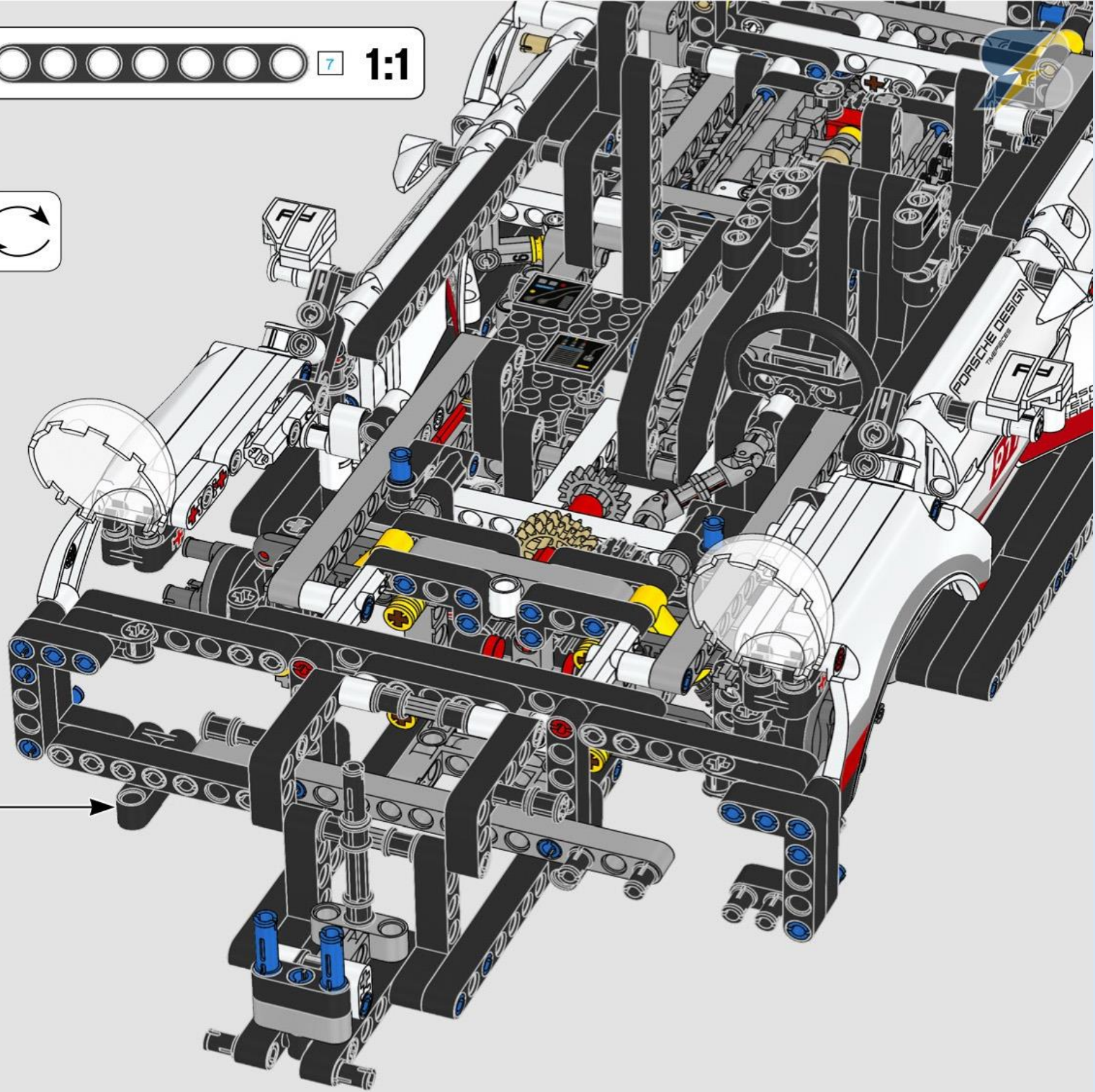
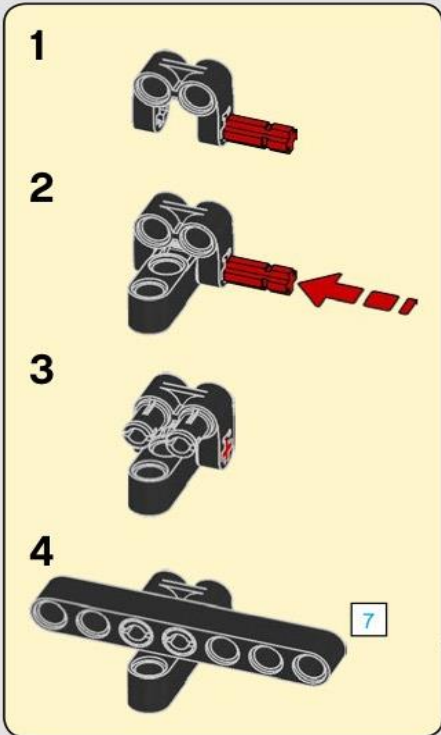
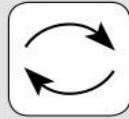
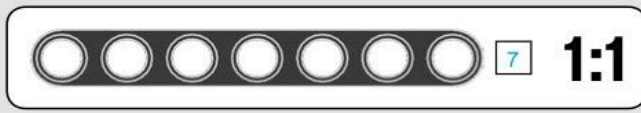


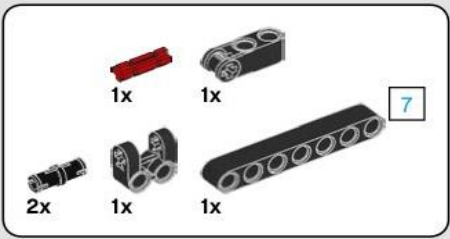
335



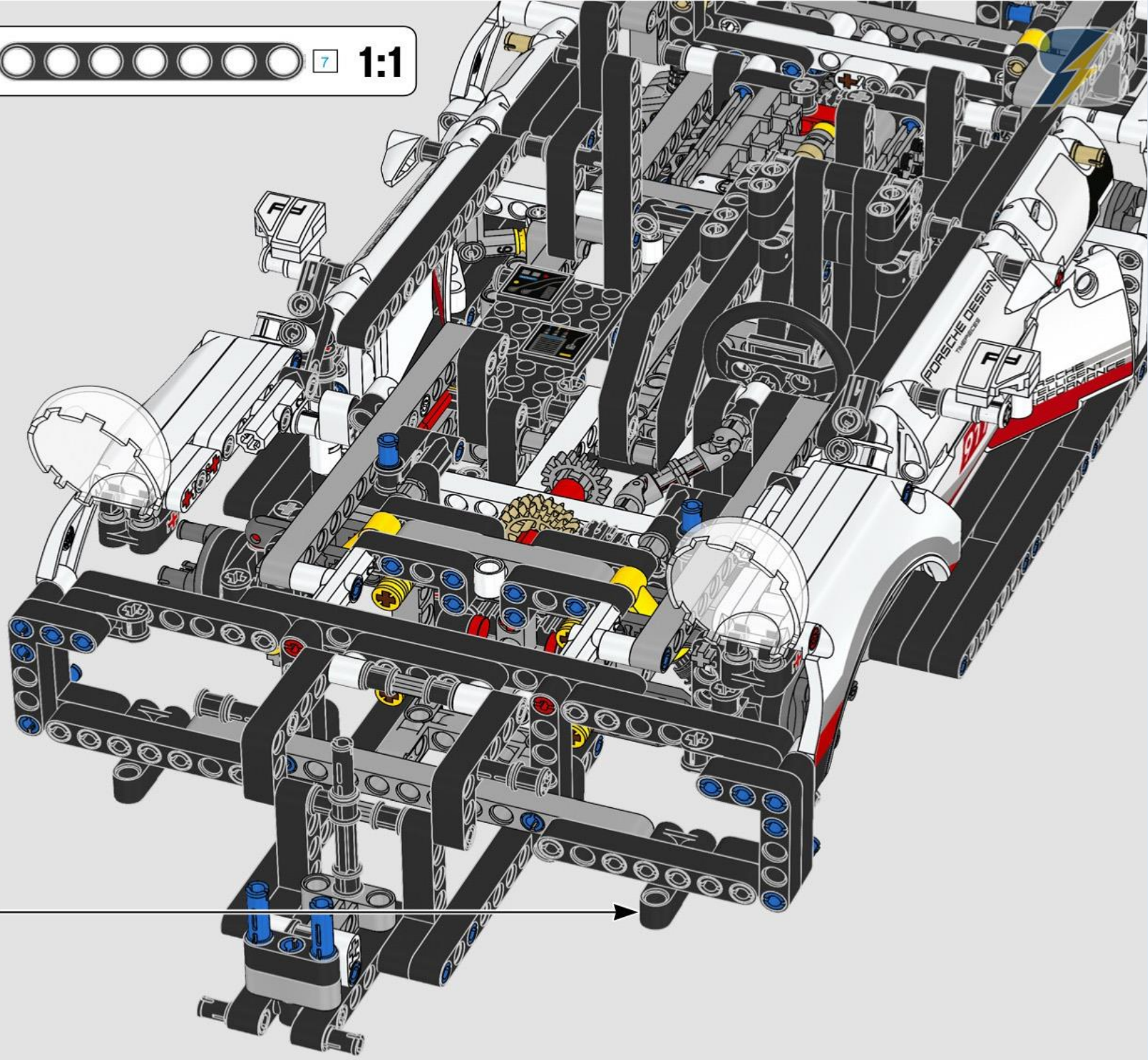
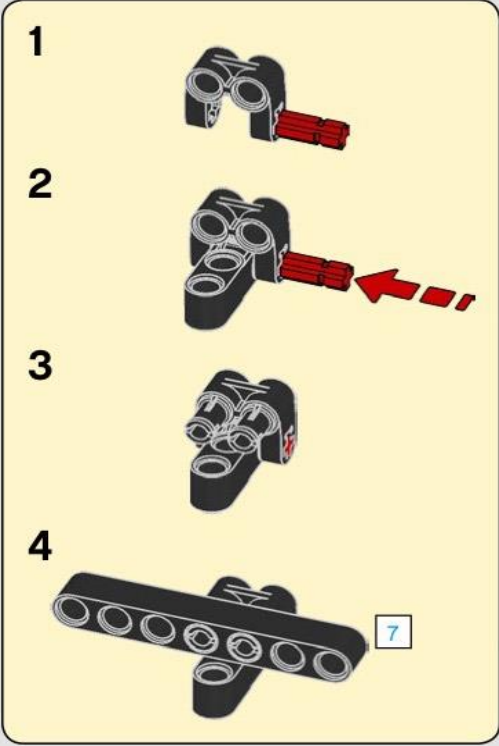


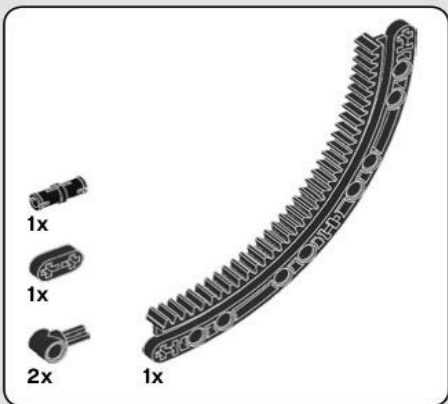
336



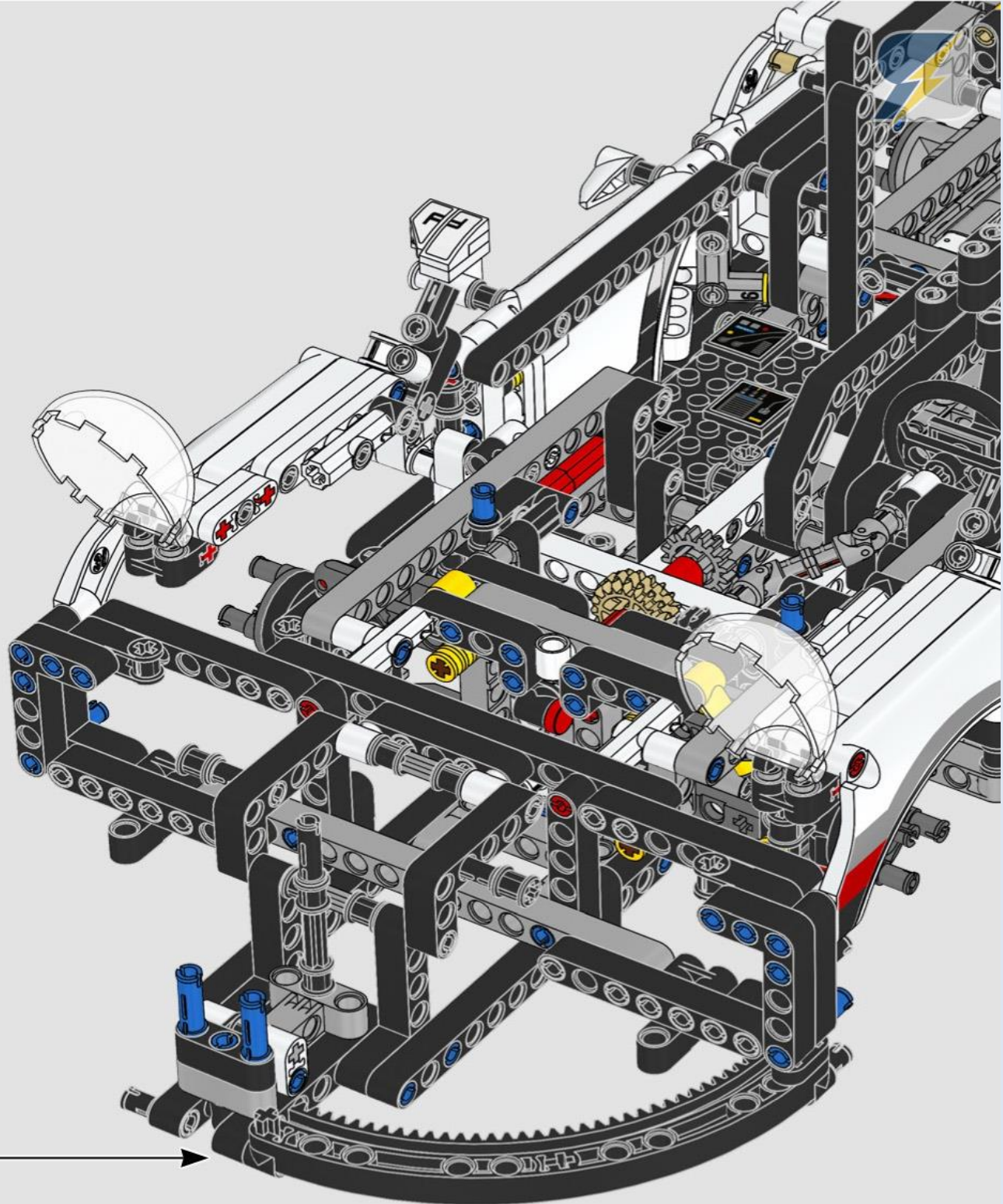
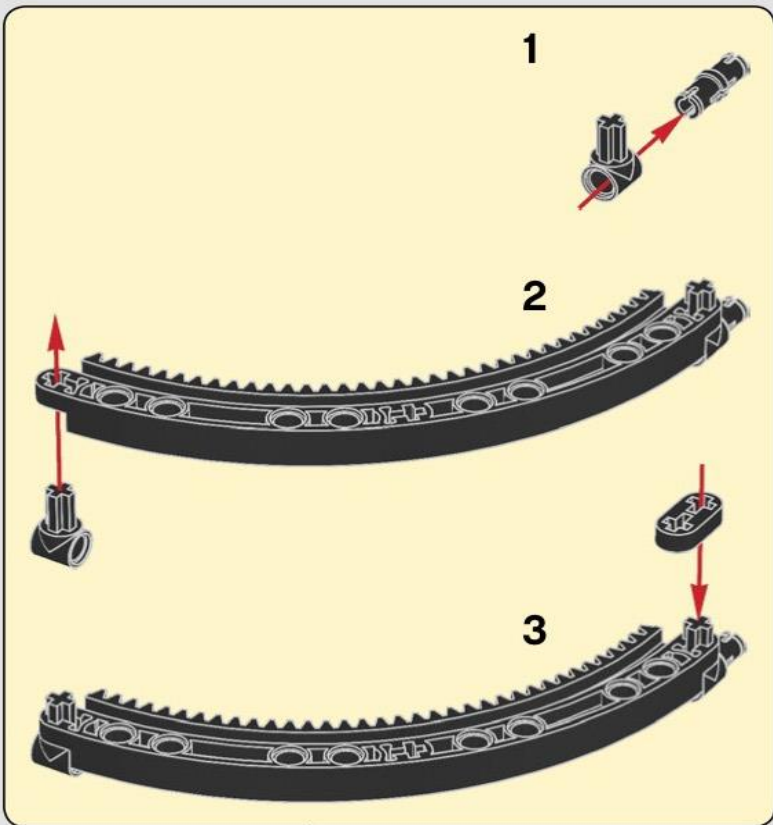


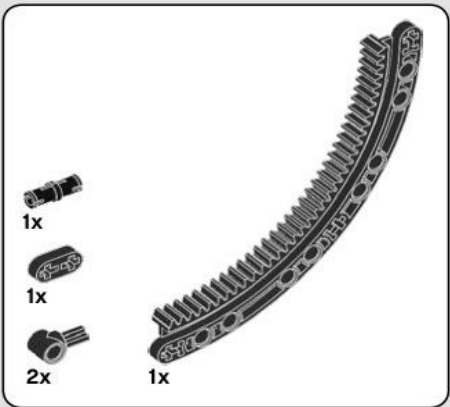
337



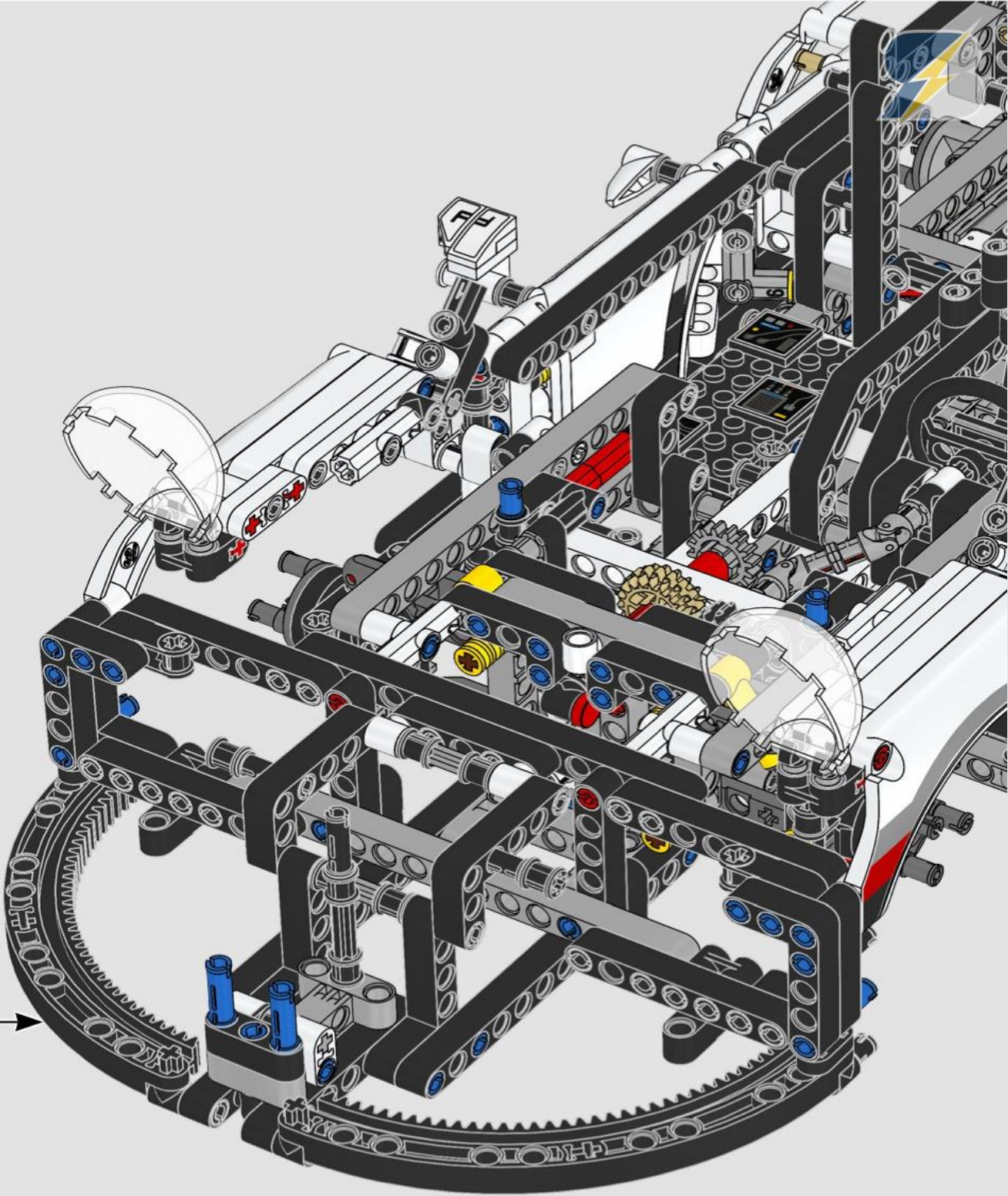


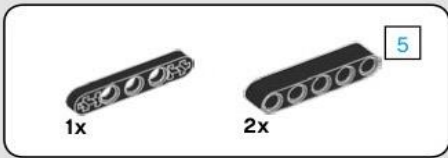
338



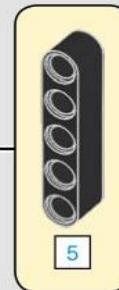
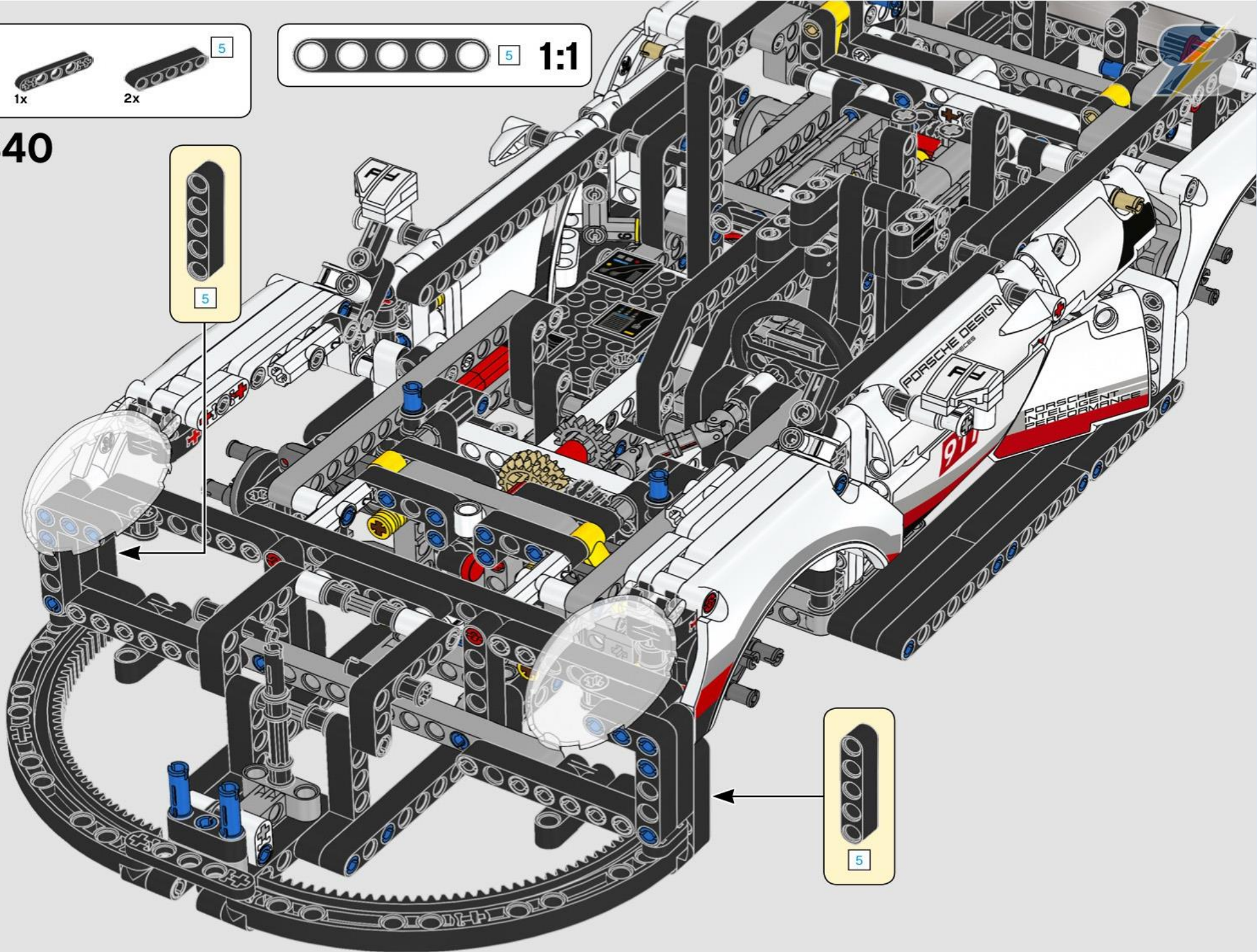


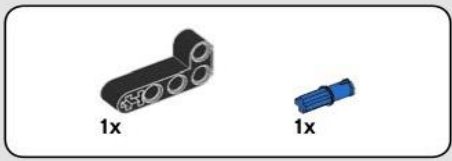
339



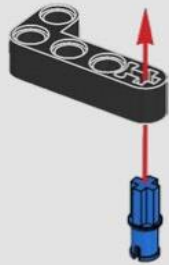


340

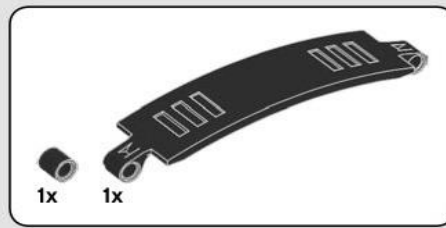




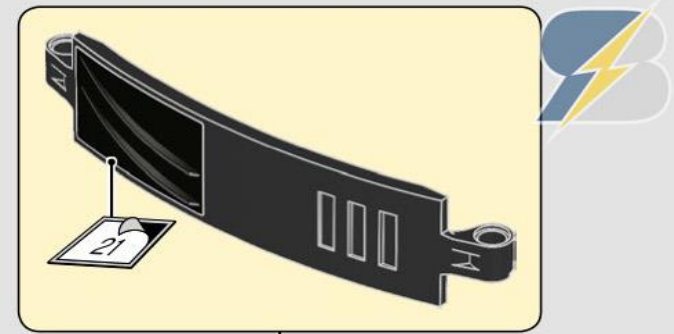
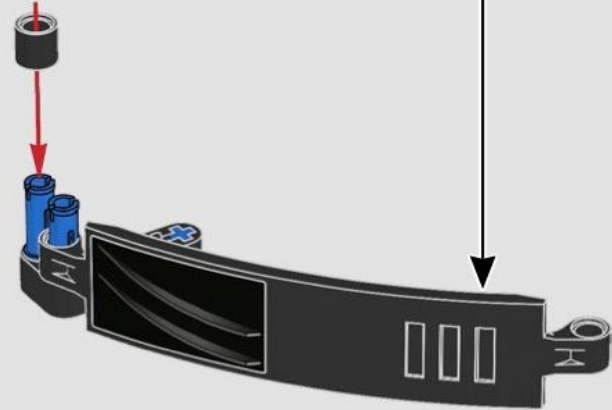
341



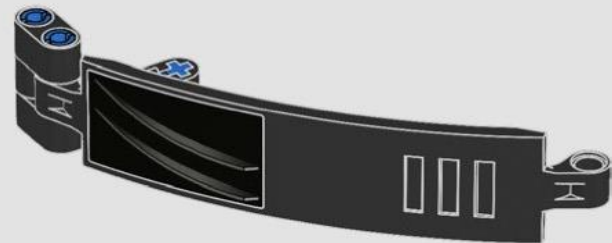
342



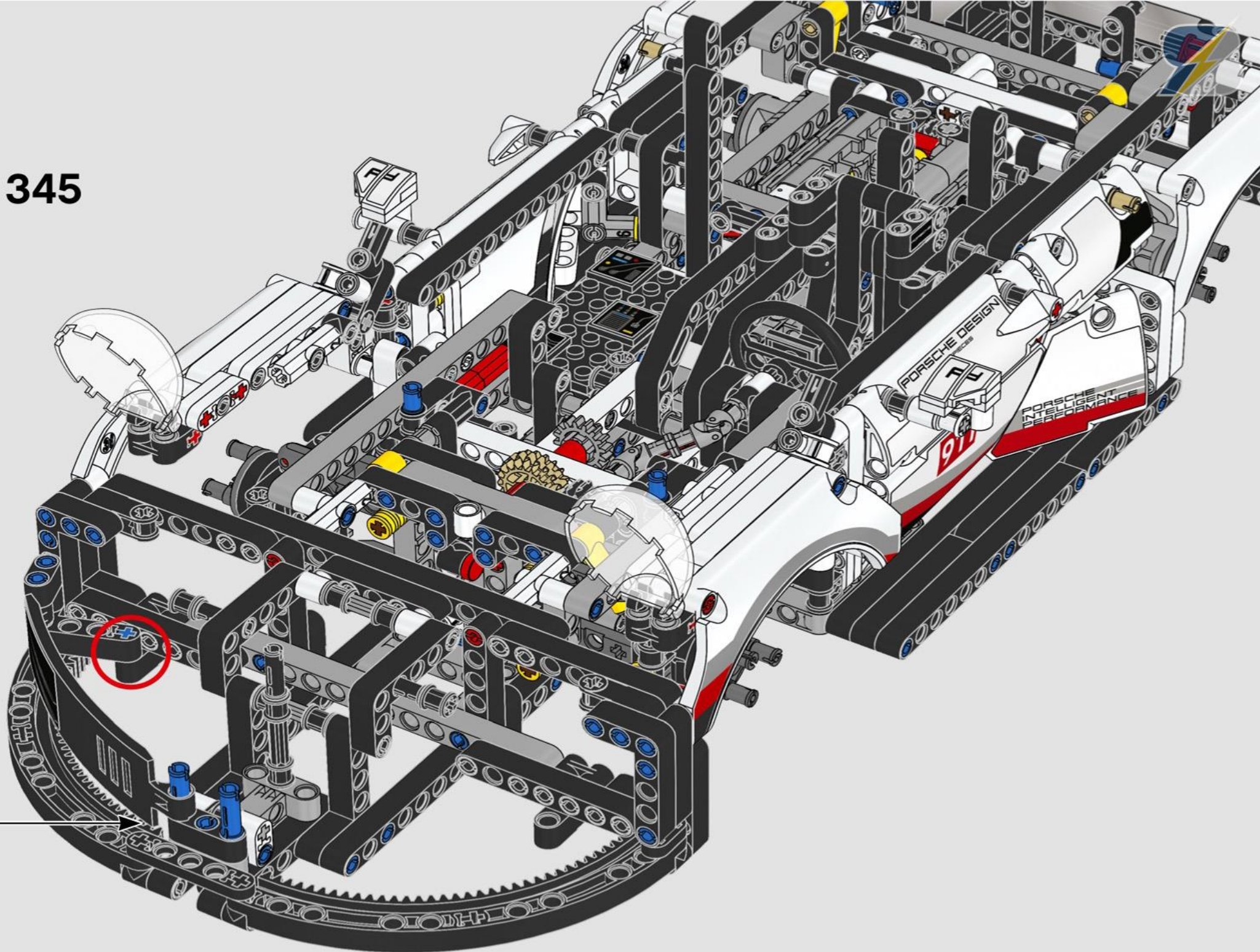
343



344

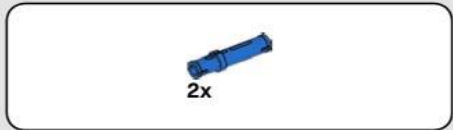


345

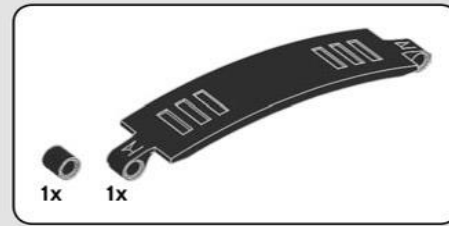
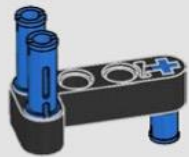




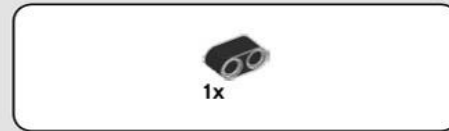
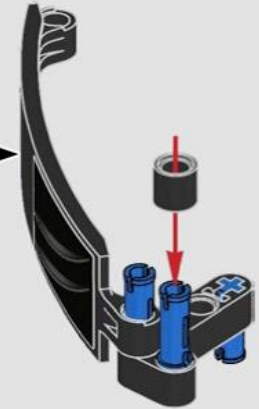
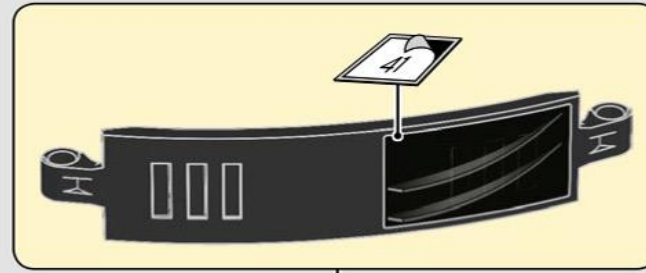
346



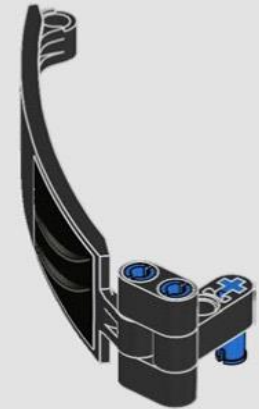
347



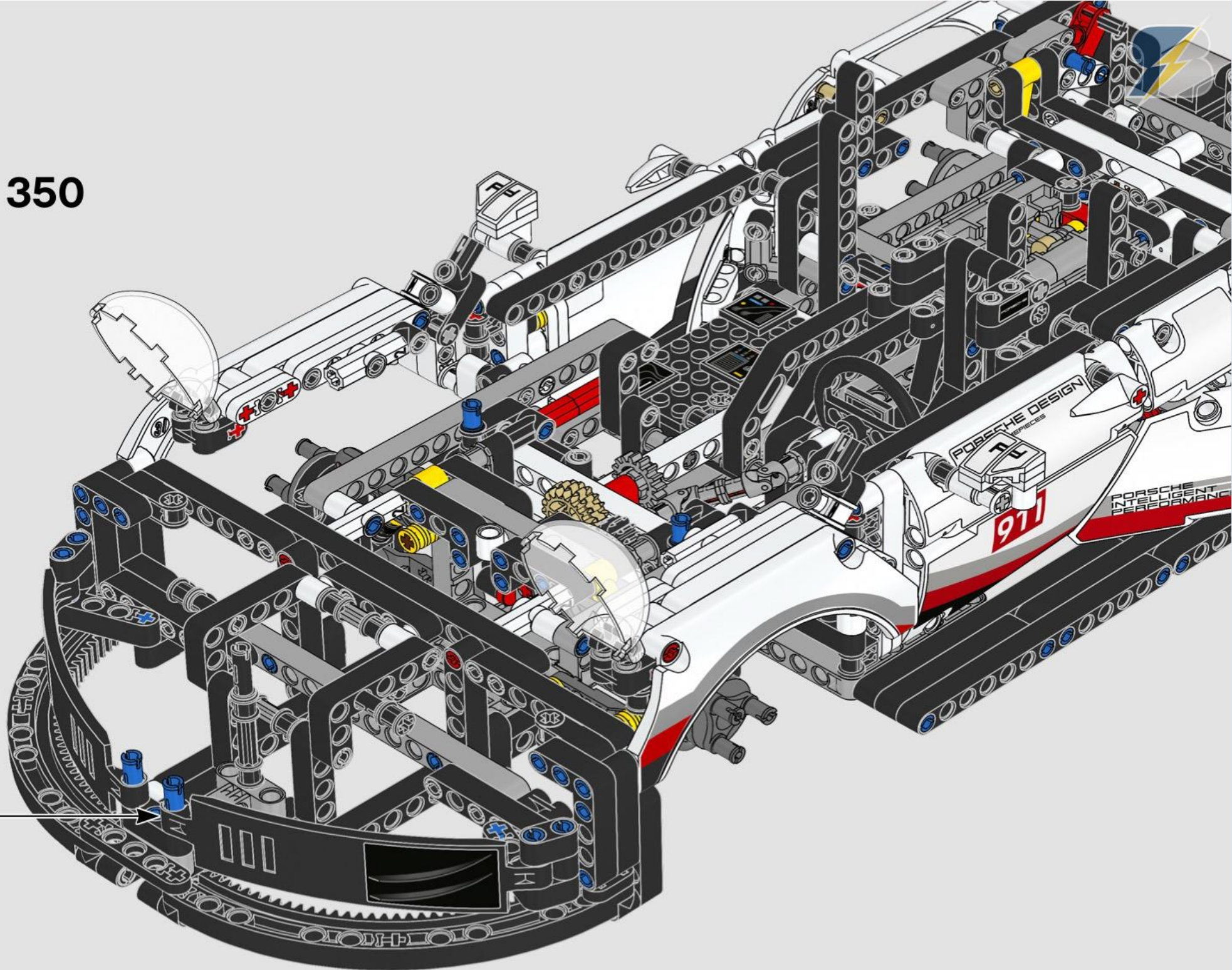
348

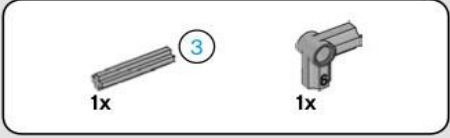
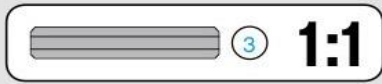
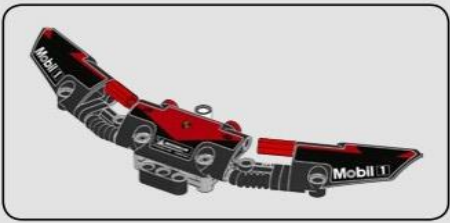


349

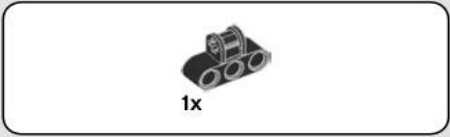
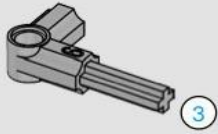


350

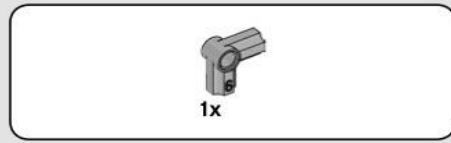
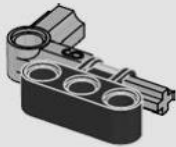




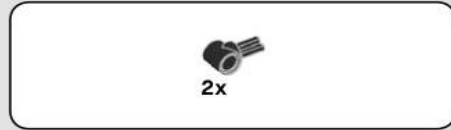
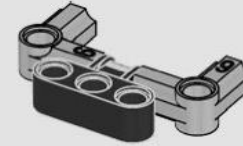
351



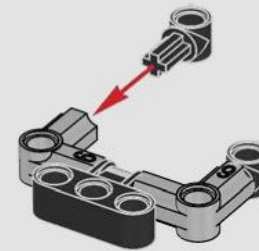
352



353

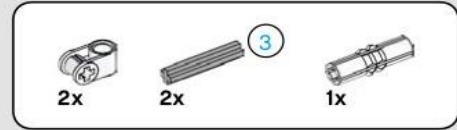
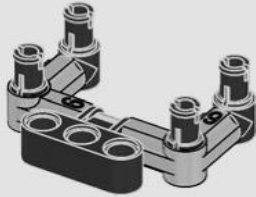


354

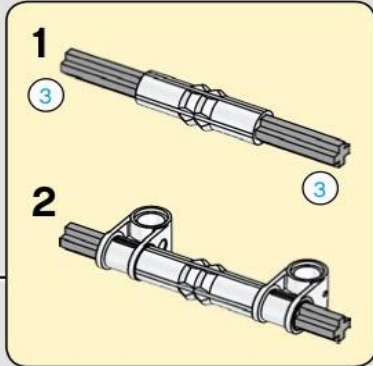
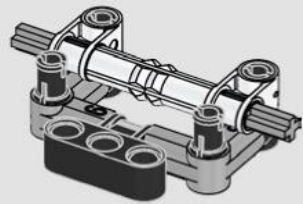




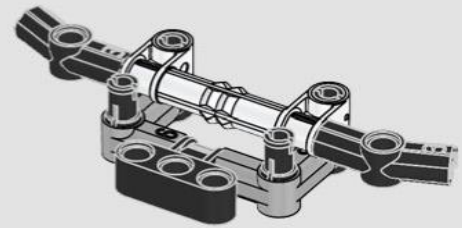
355

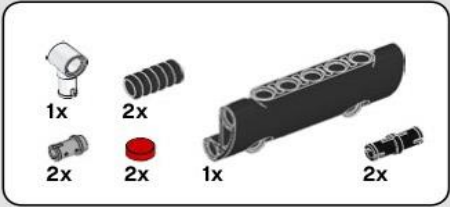


356

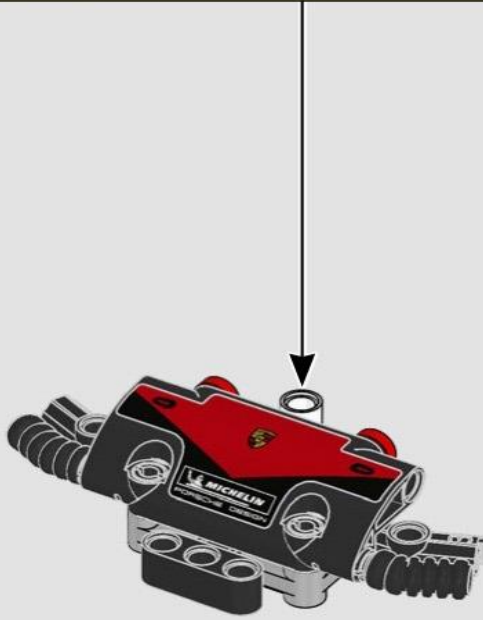
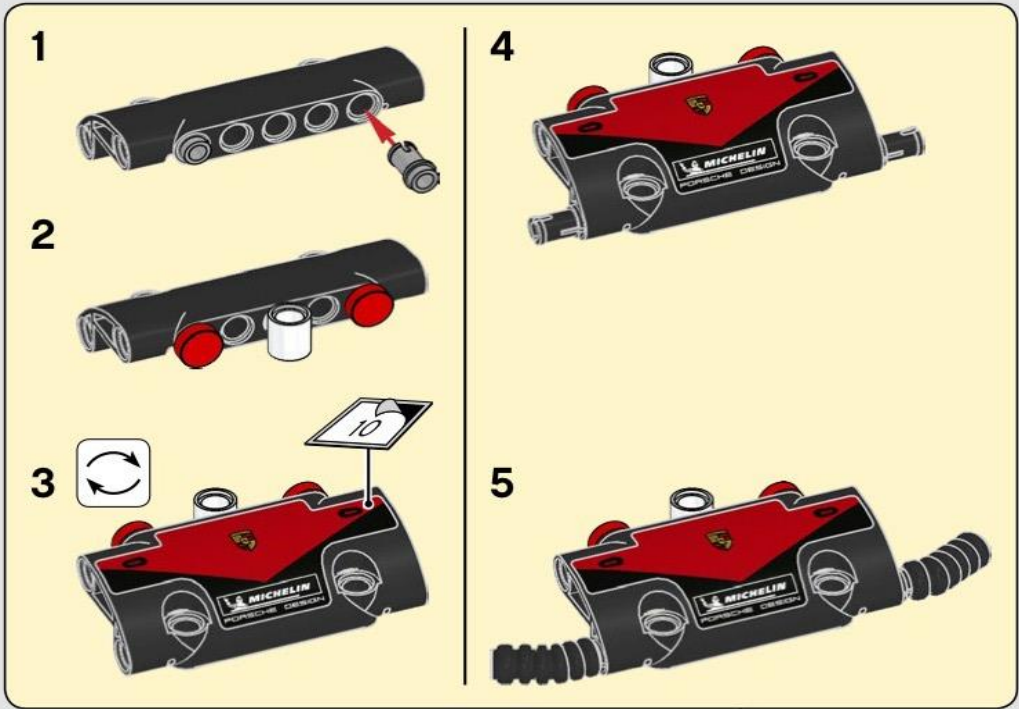


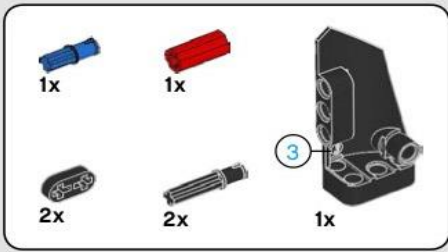
357



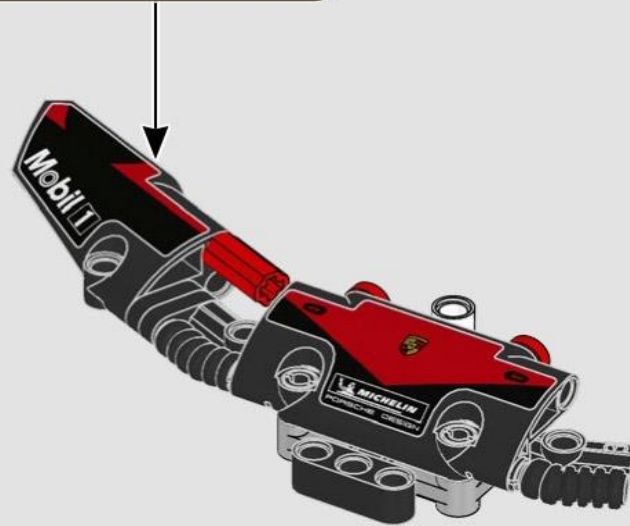
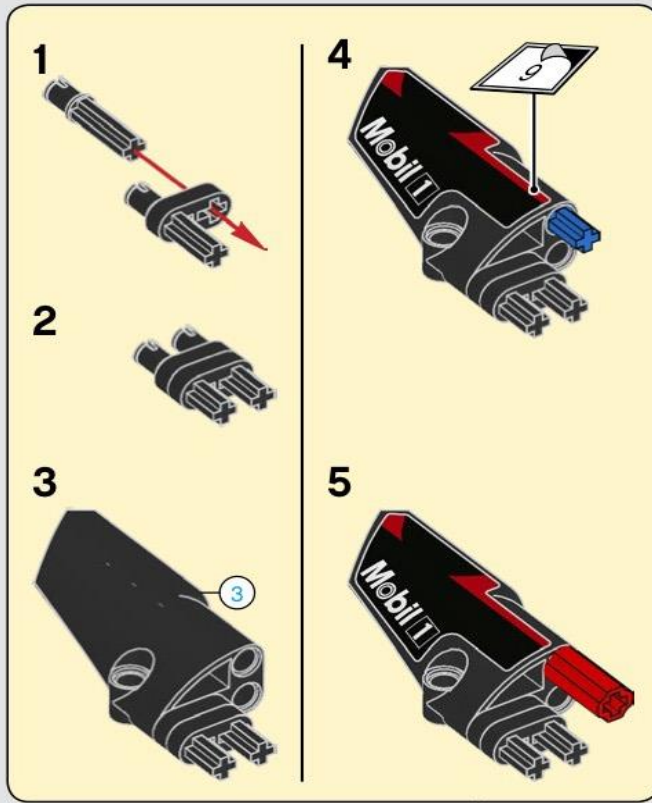


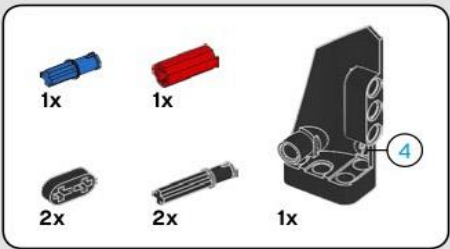
358



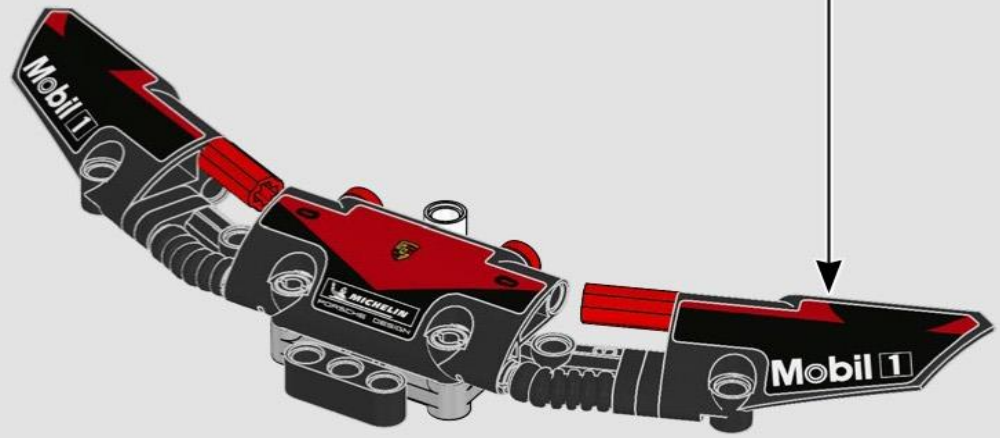
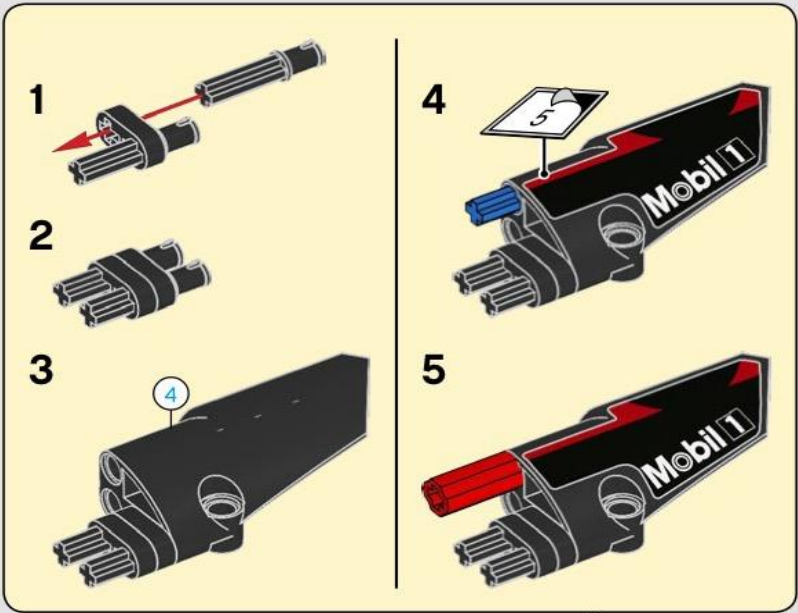


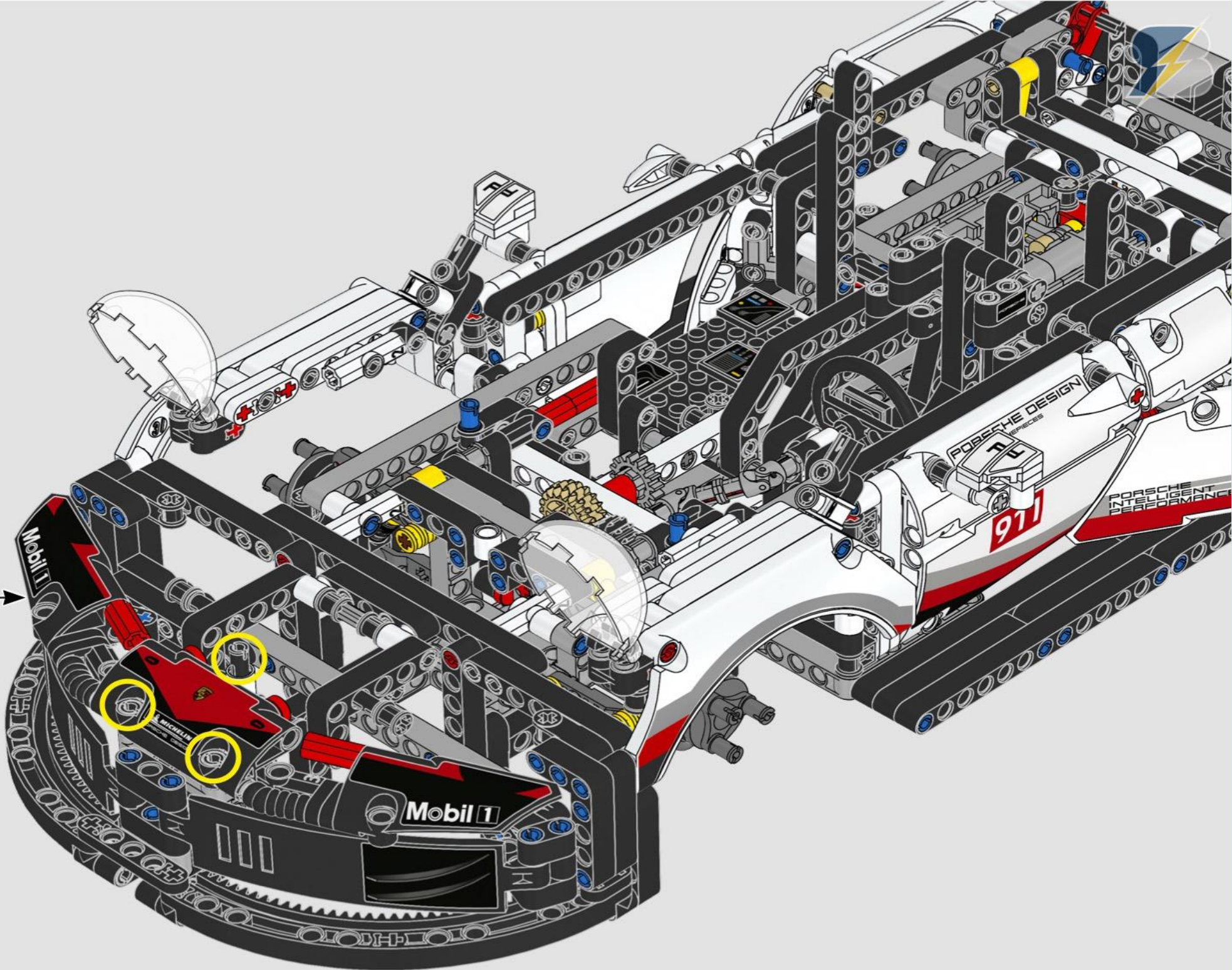
359

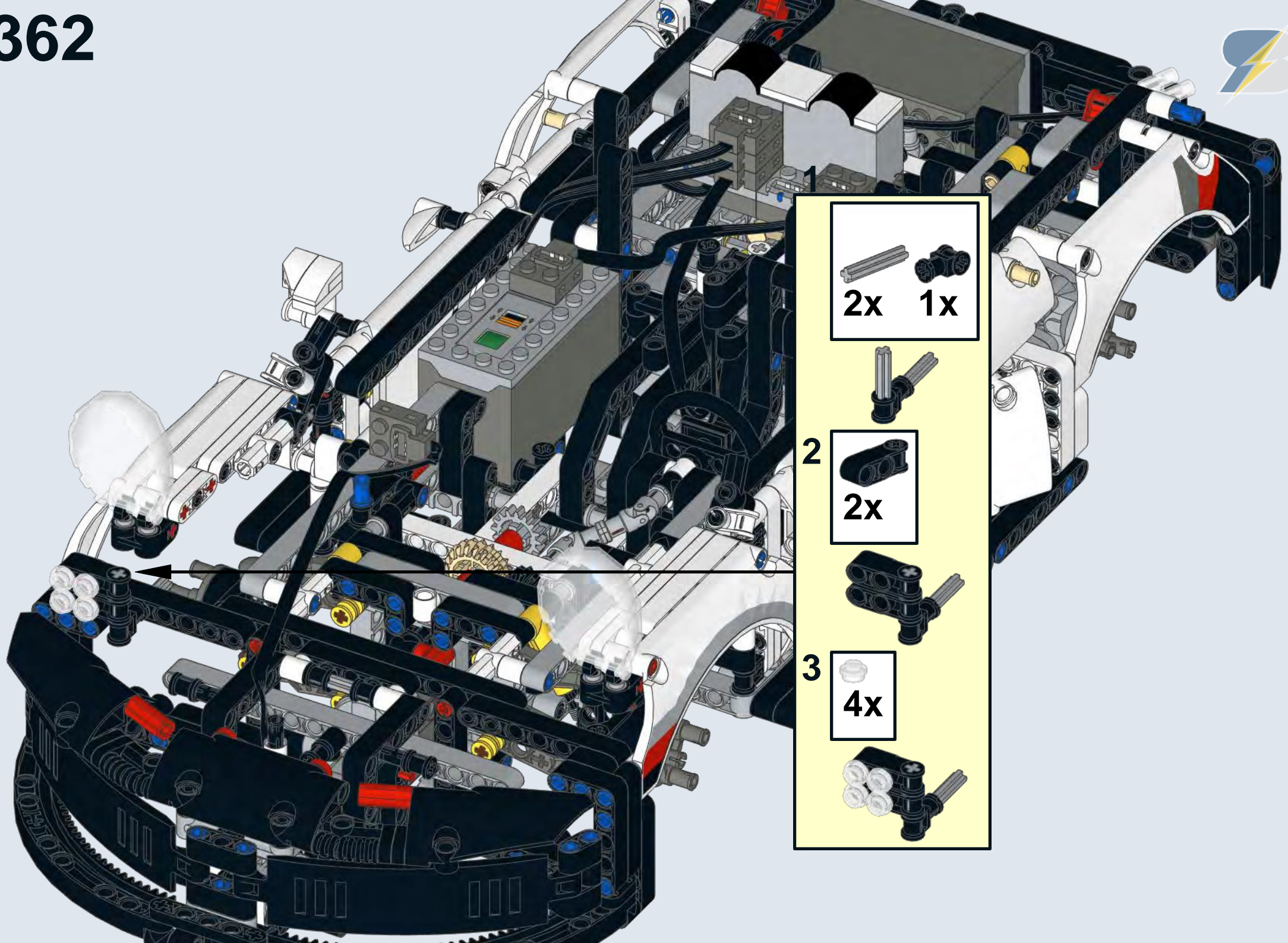




360





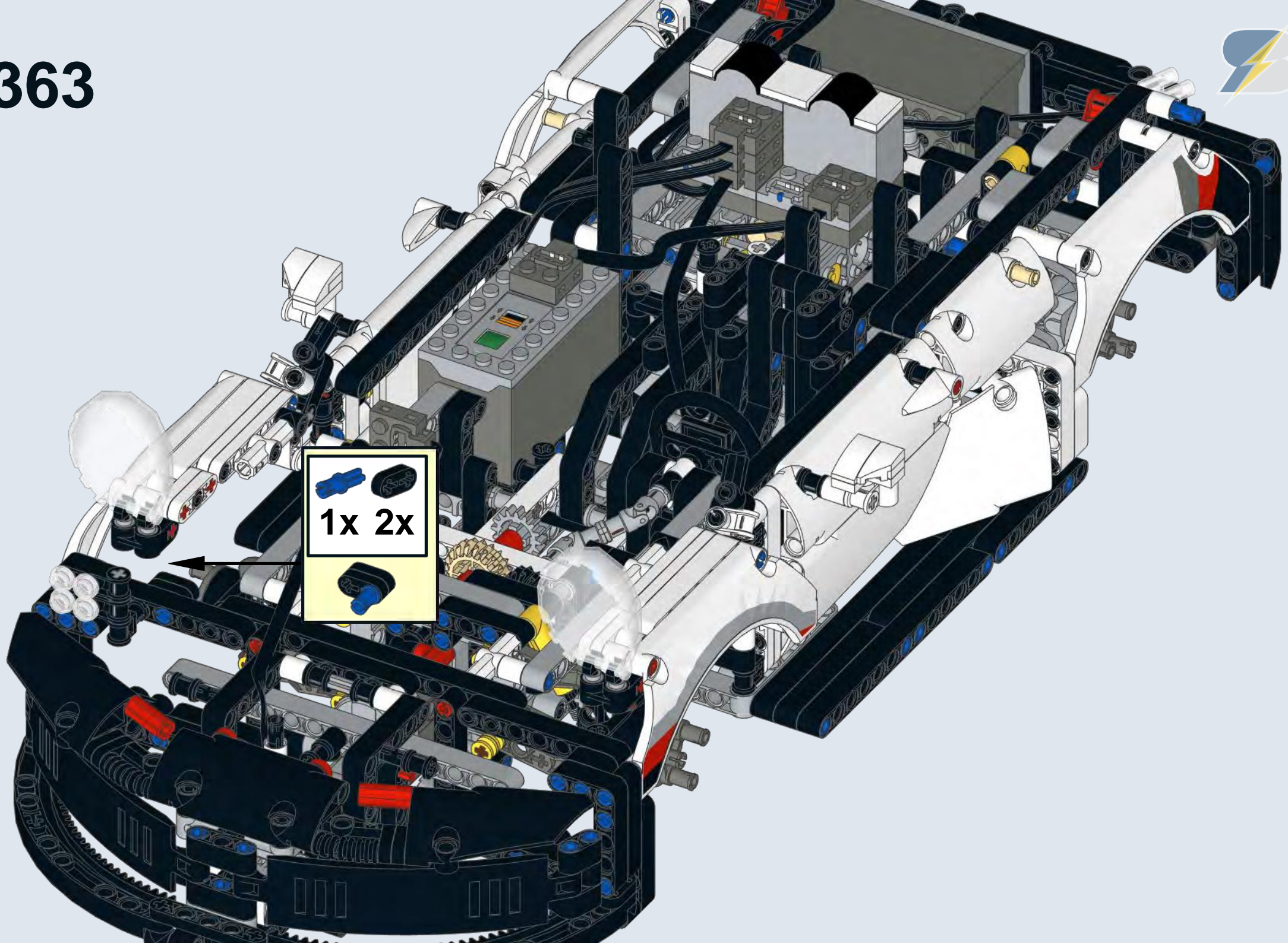


2x 1x

2 2x

3 4x

363

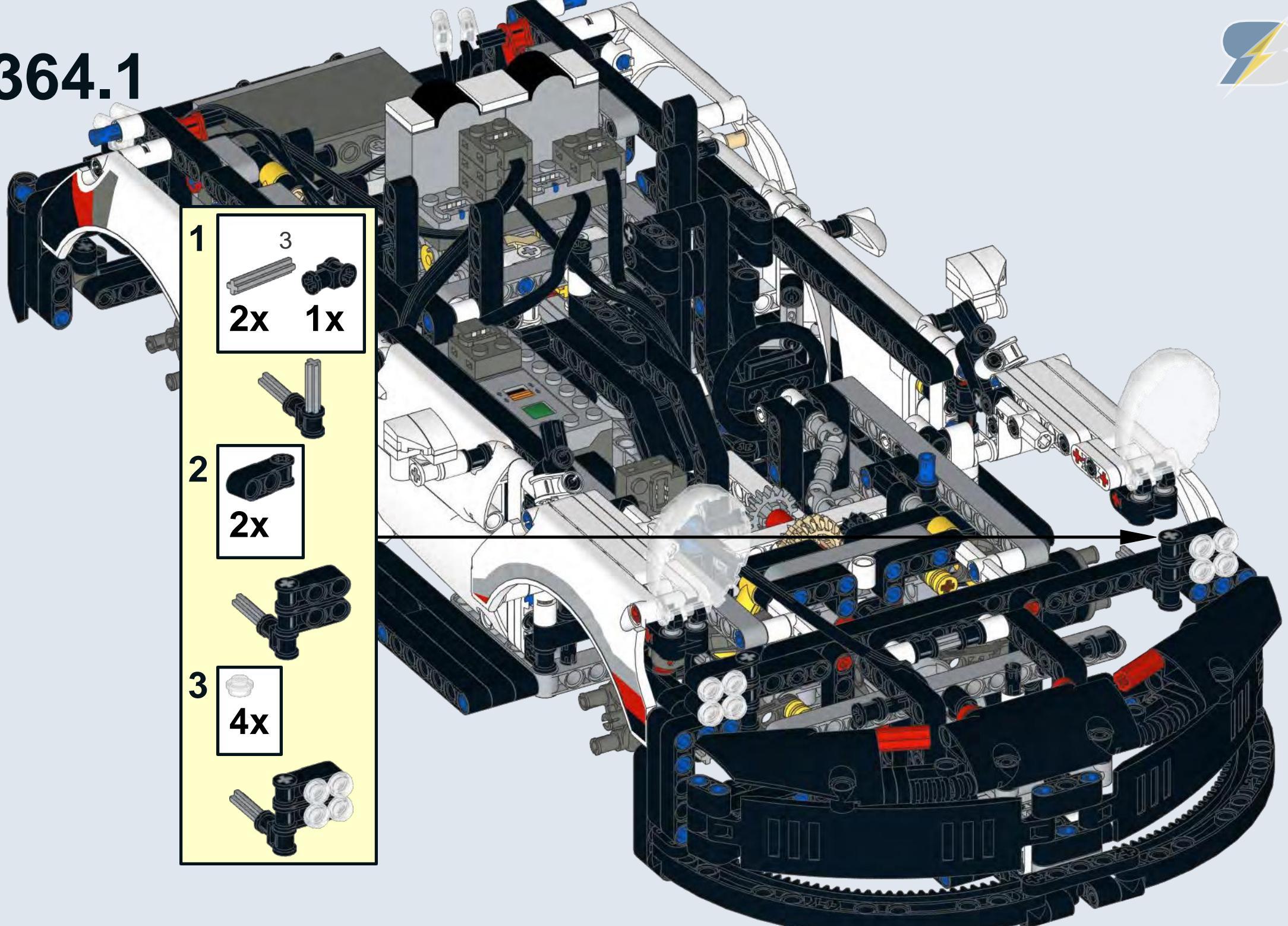


1x 2x





364.1



1

3
2x 1x

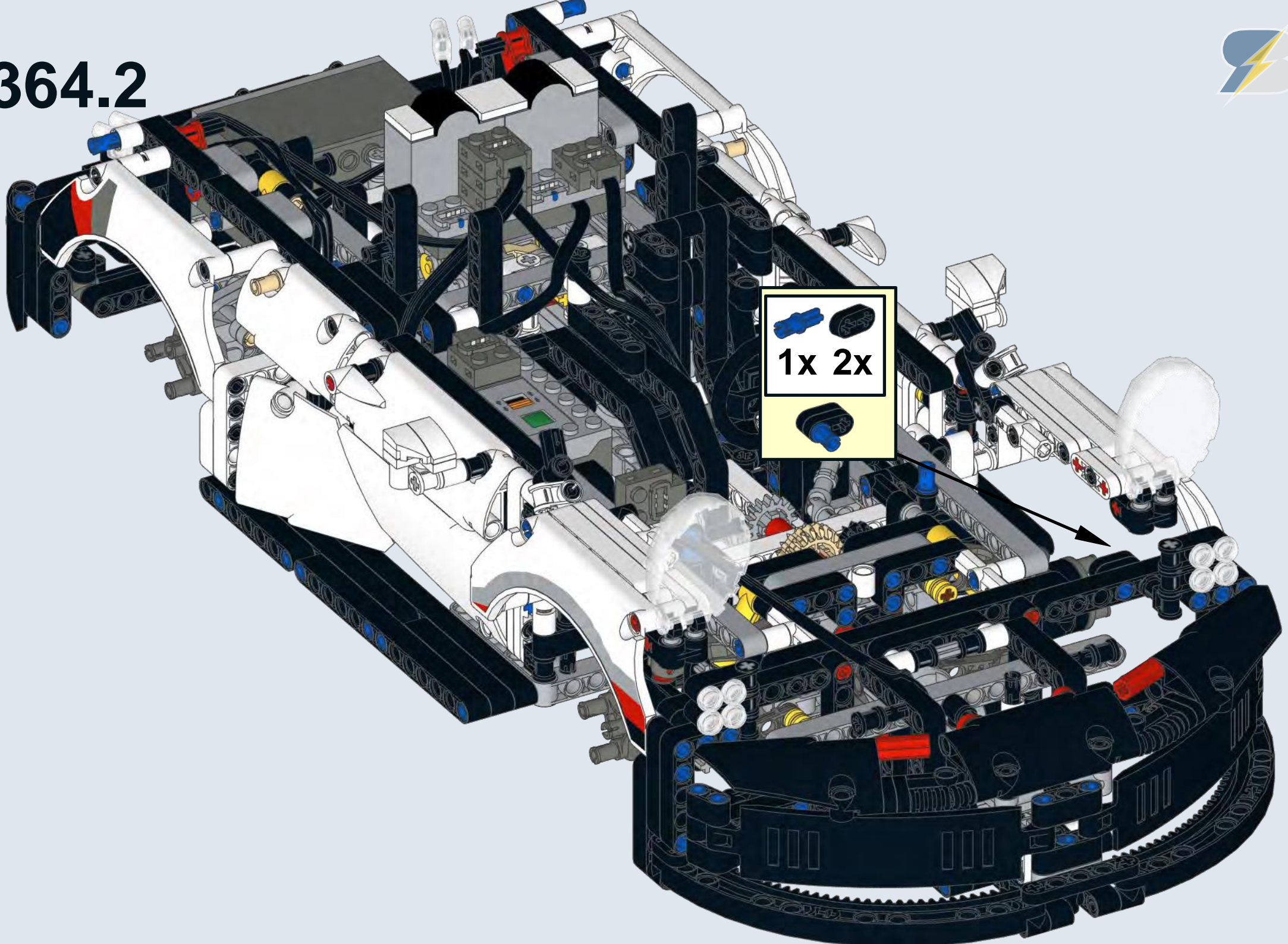
2

2x

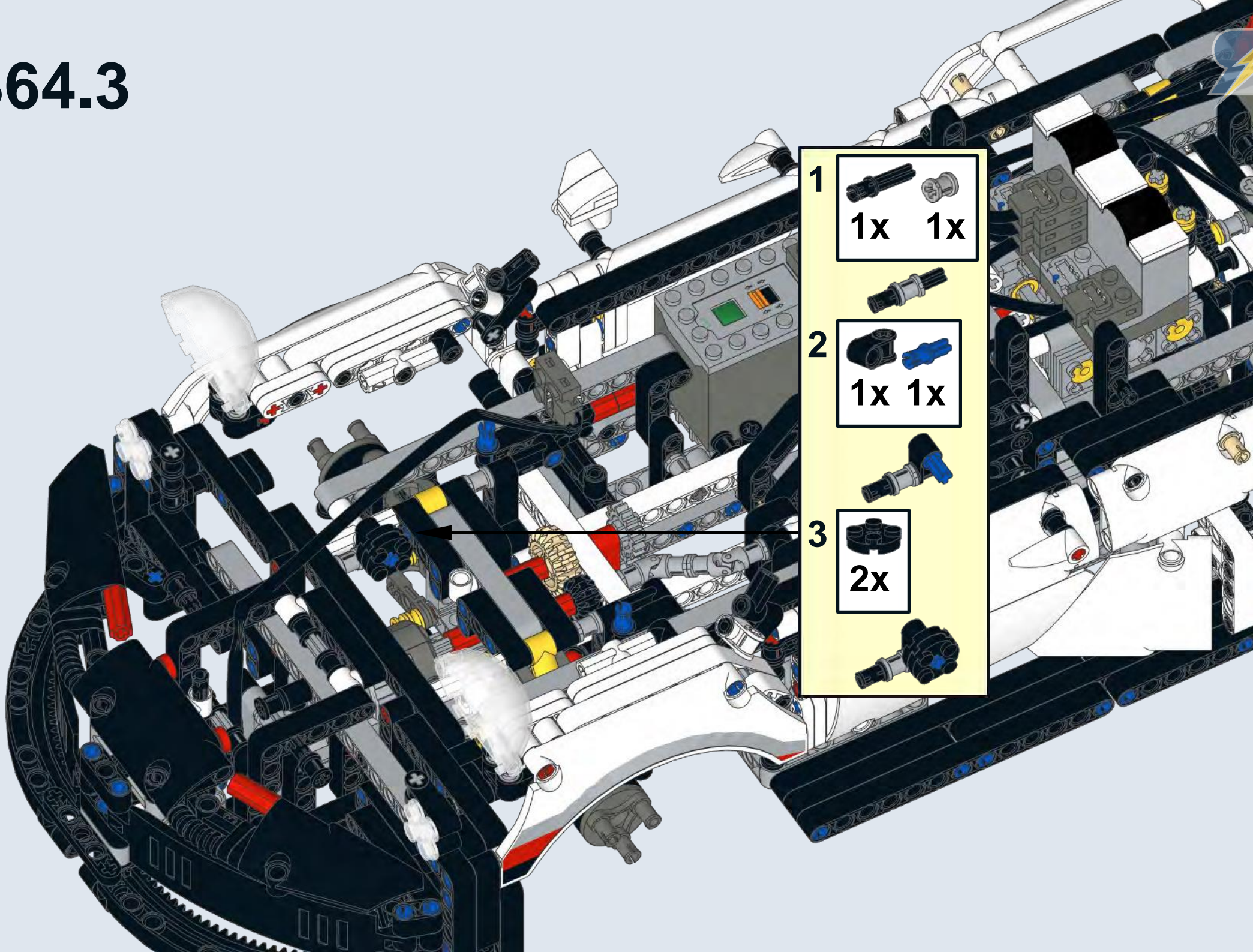
3

4x

364.2



364.3



1



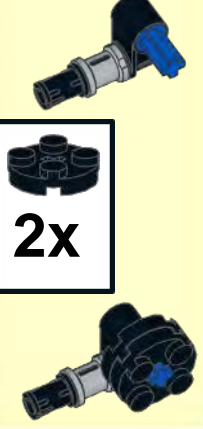
1x 1x

2



1x 1x

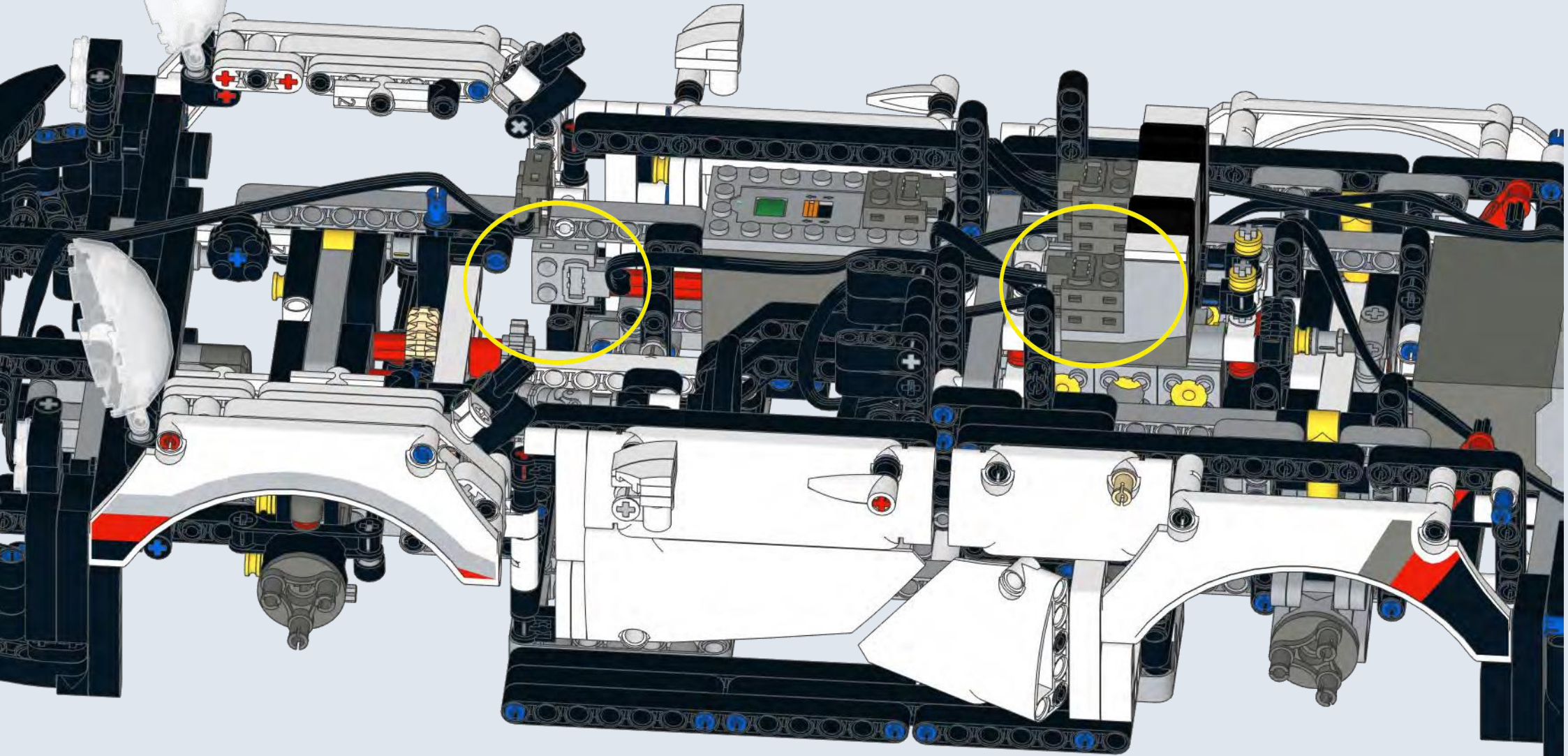
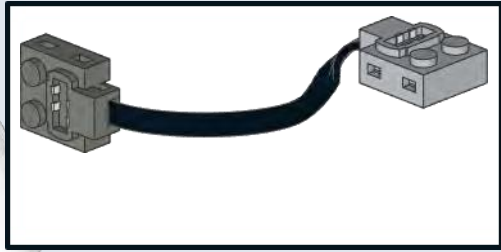
3



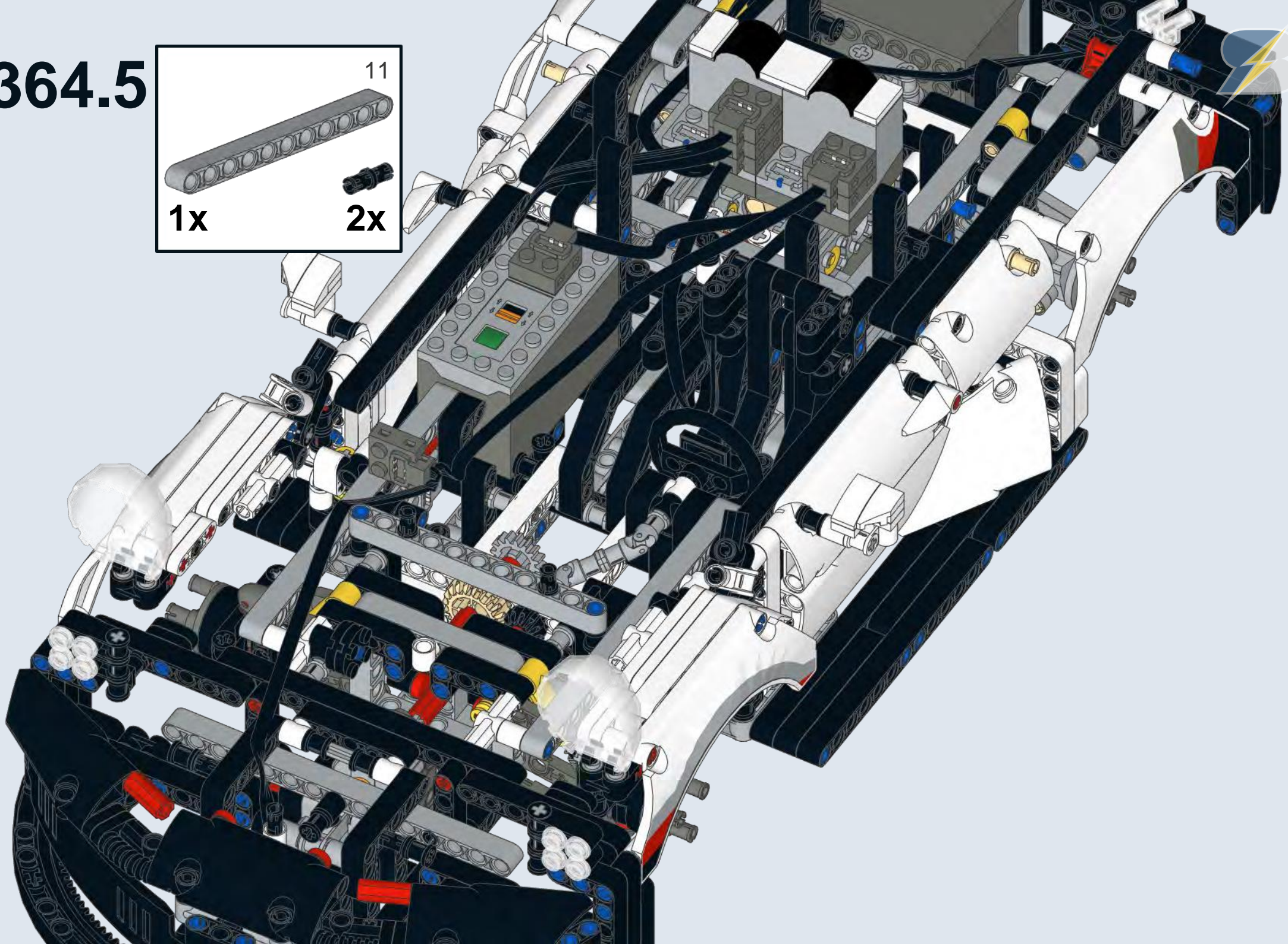
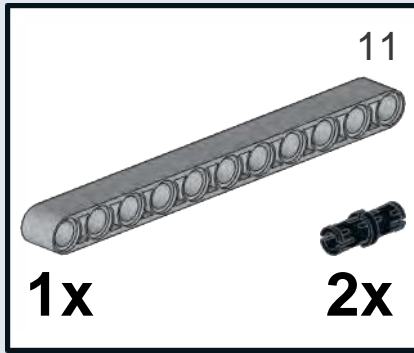
2x



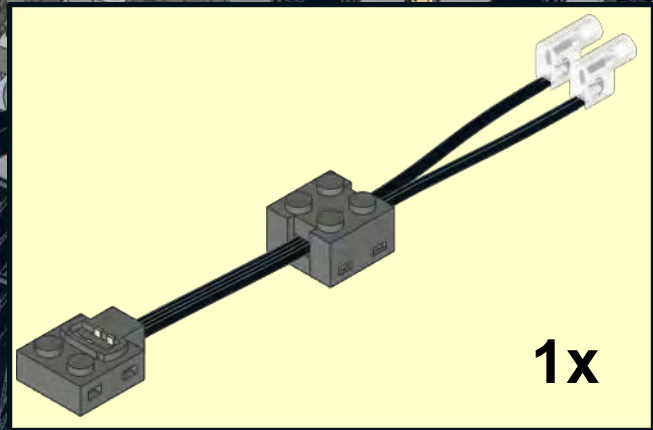
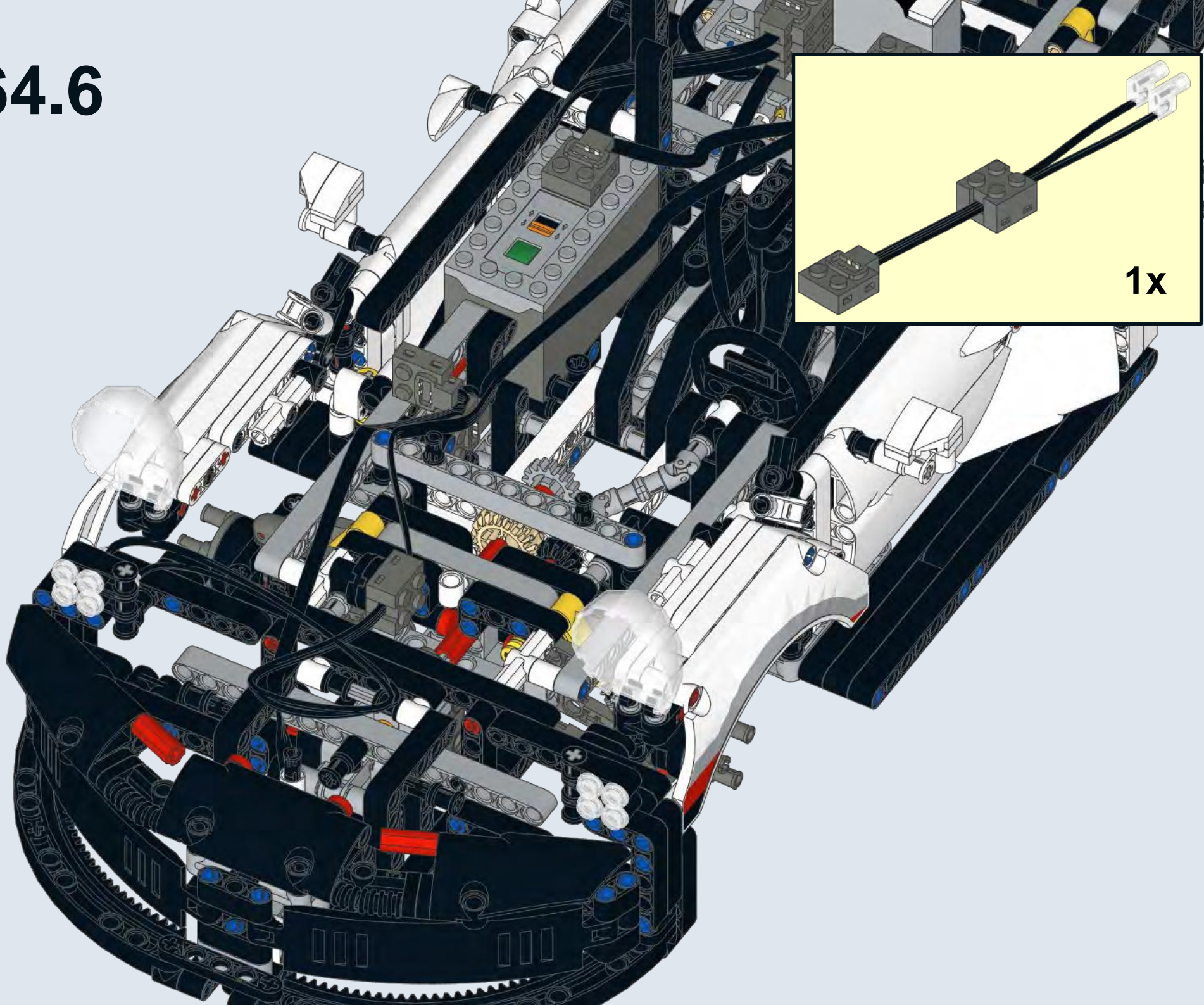
364.4



364.5



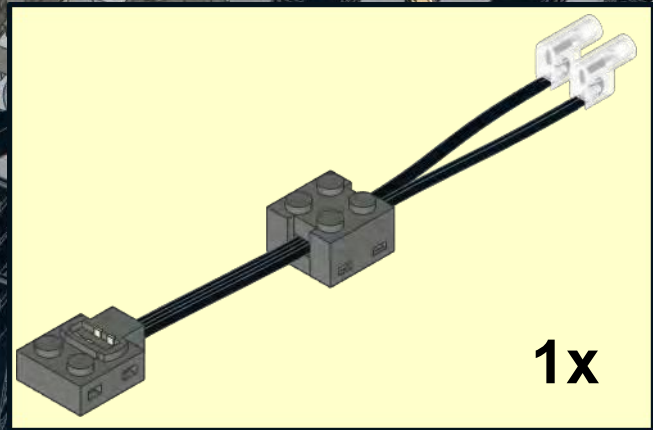
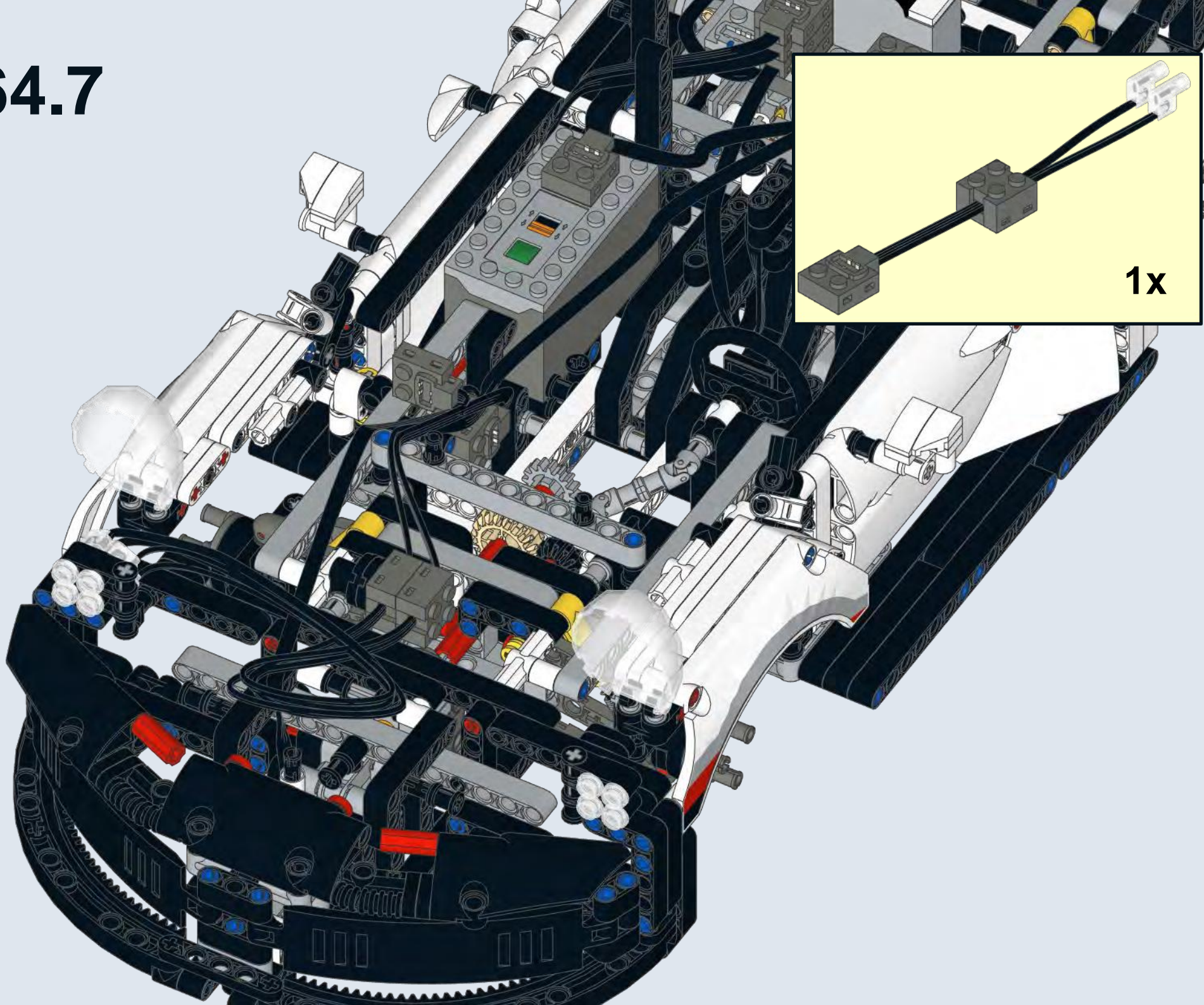
364.6



1x

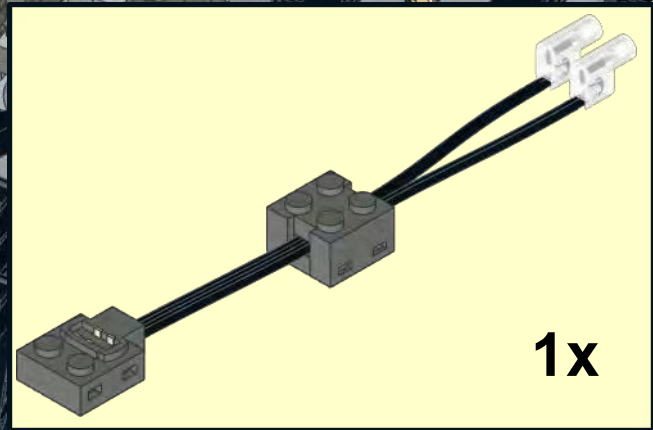
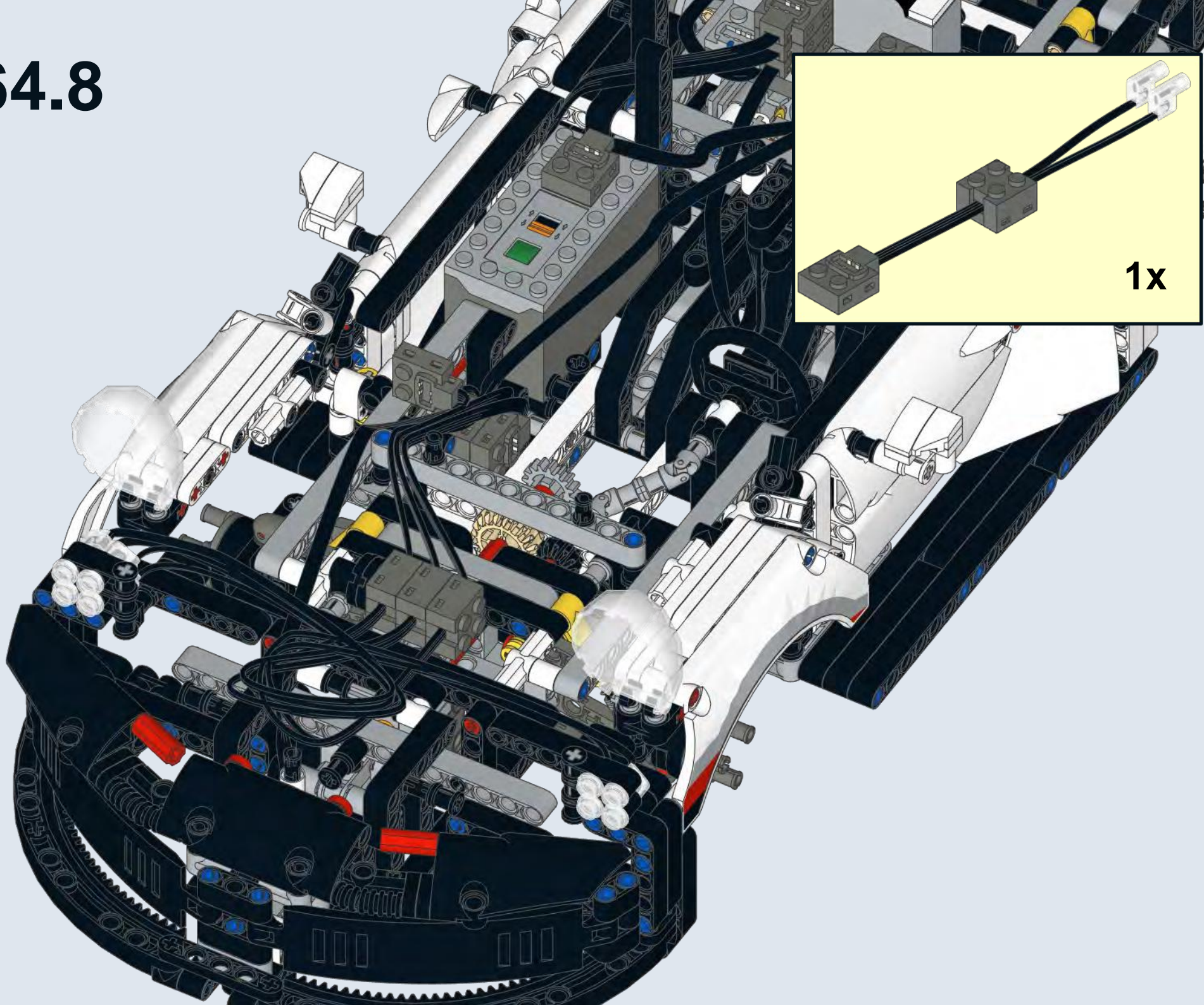


364.7



1x

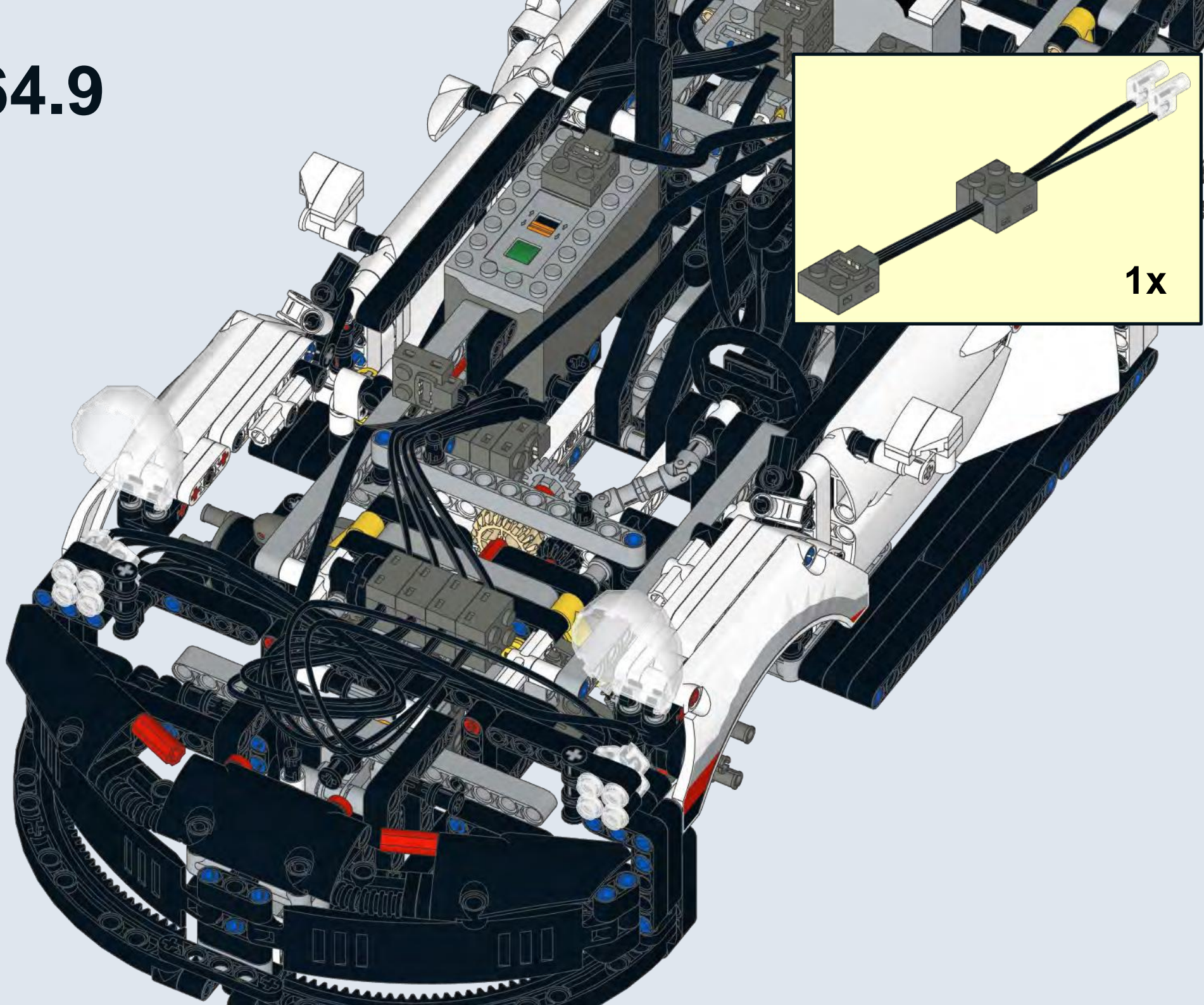
364.8



1x

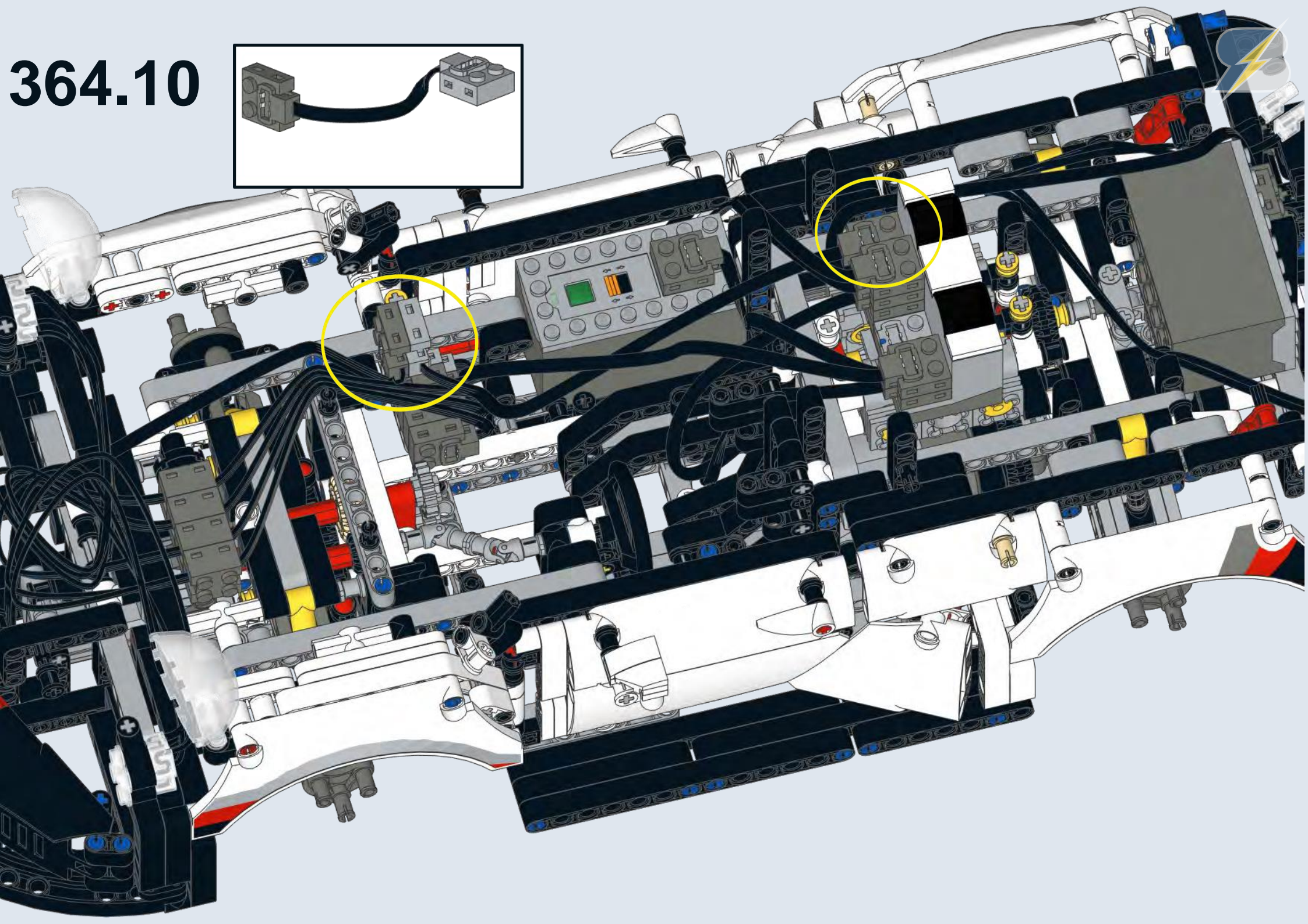
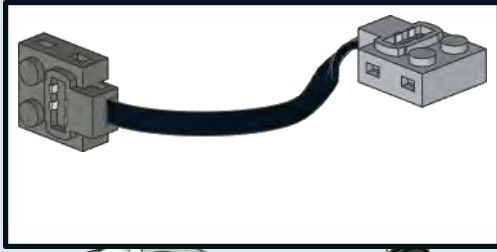


364.9



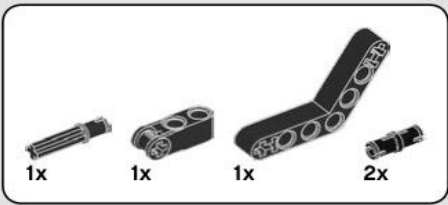
1x

364.10

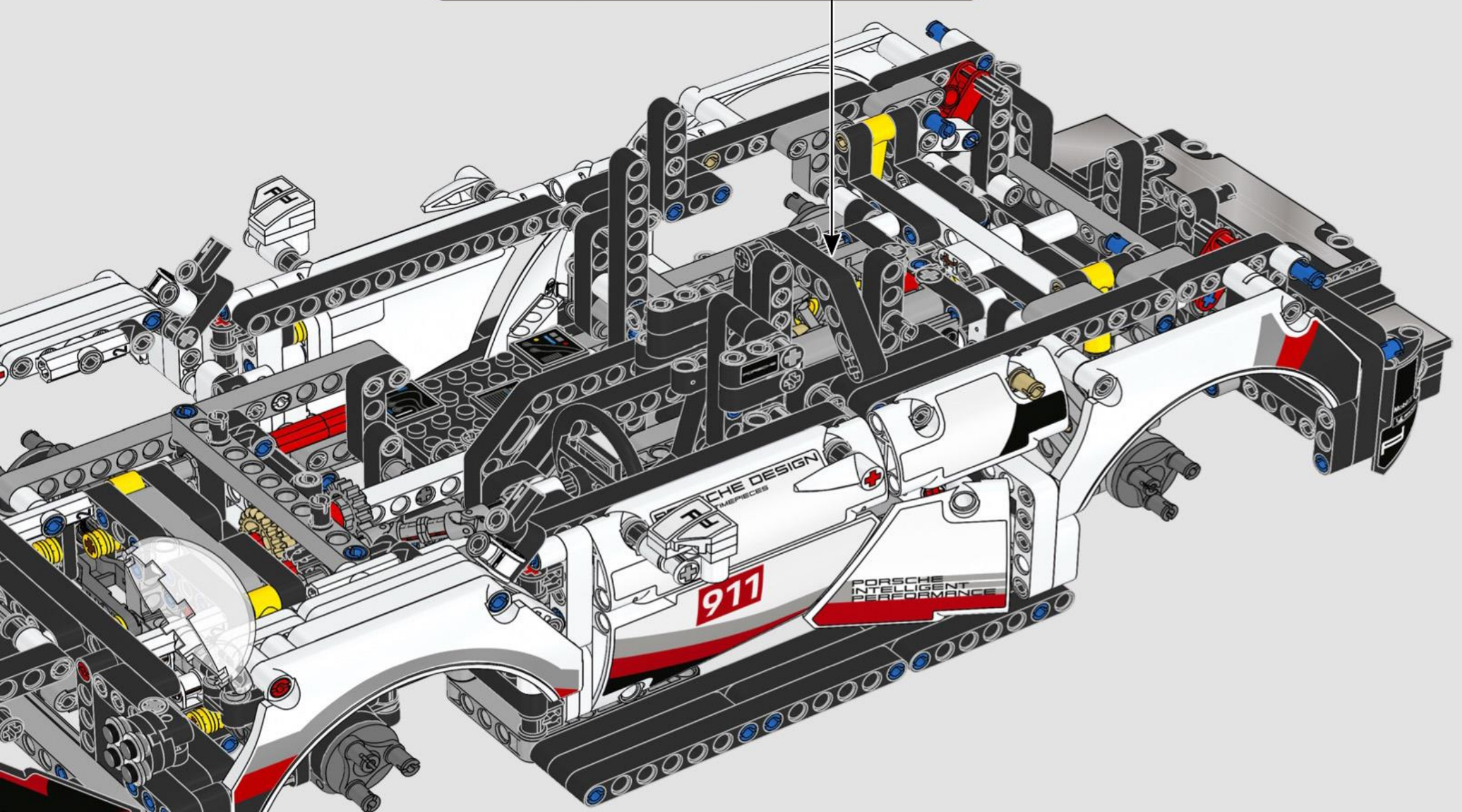
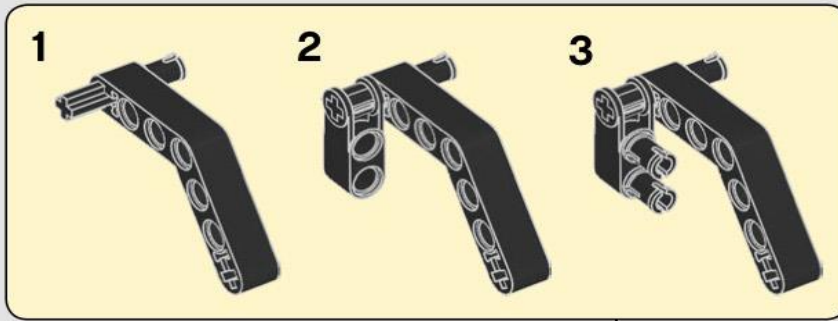


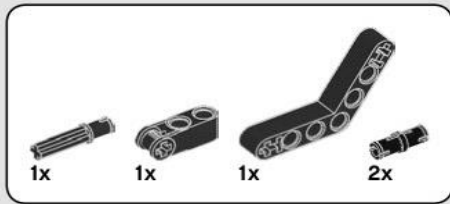


365-420
original steps

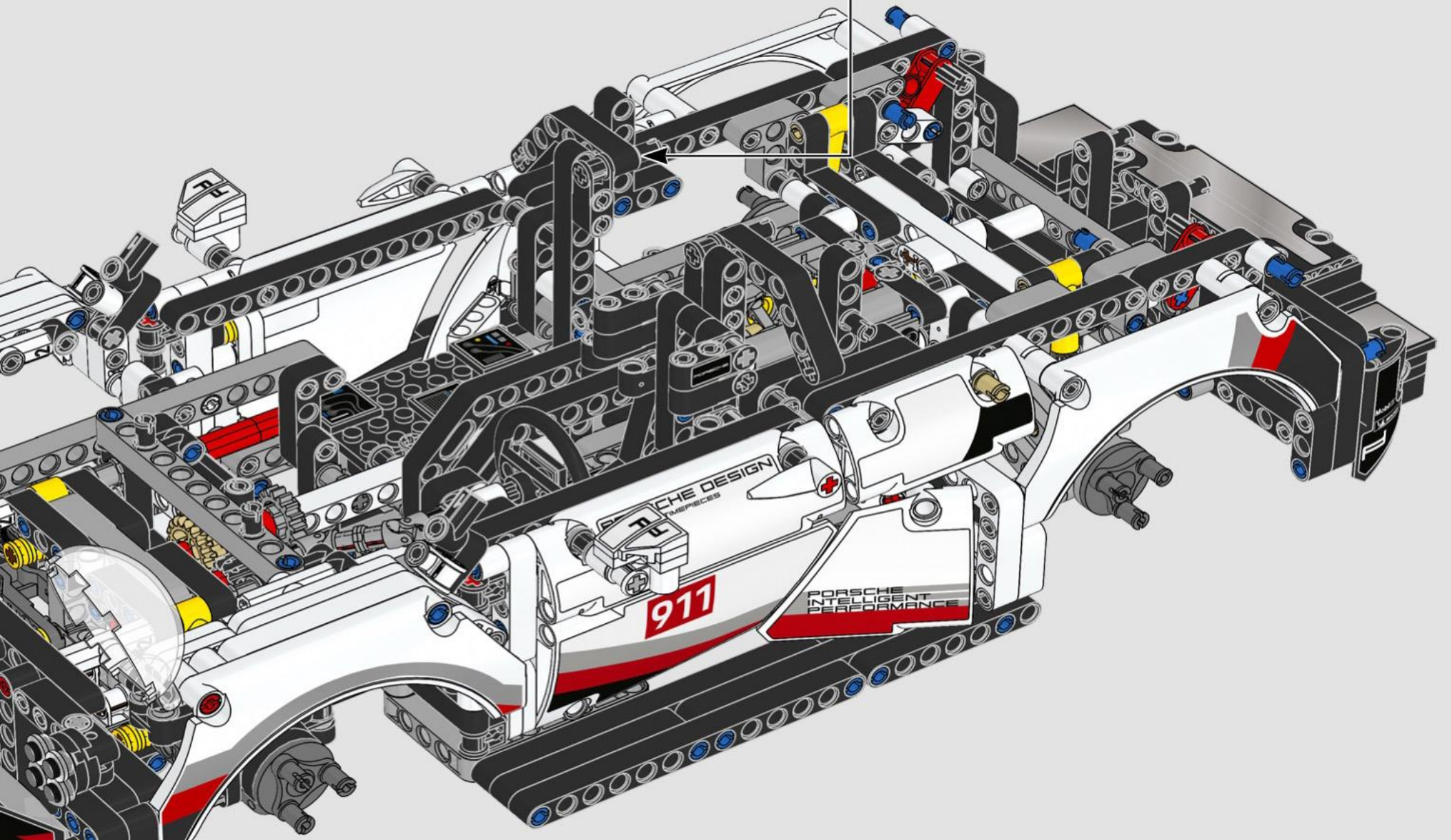
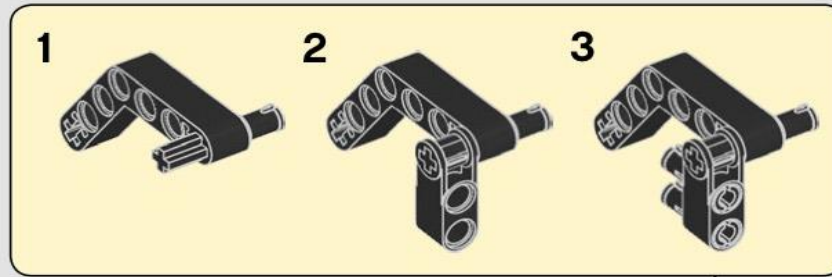


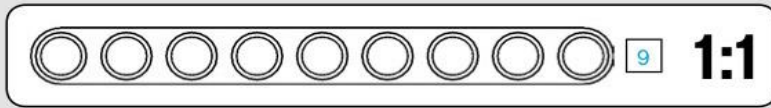
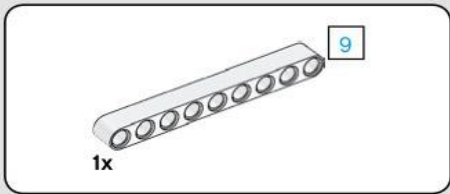
365



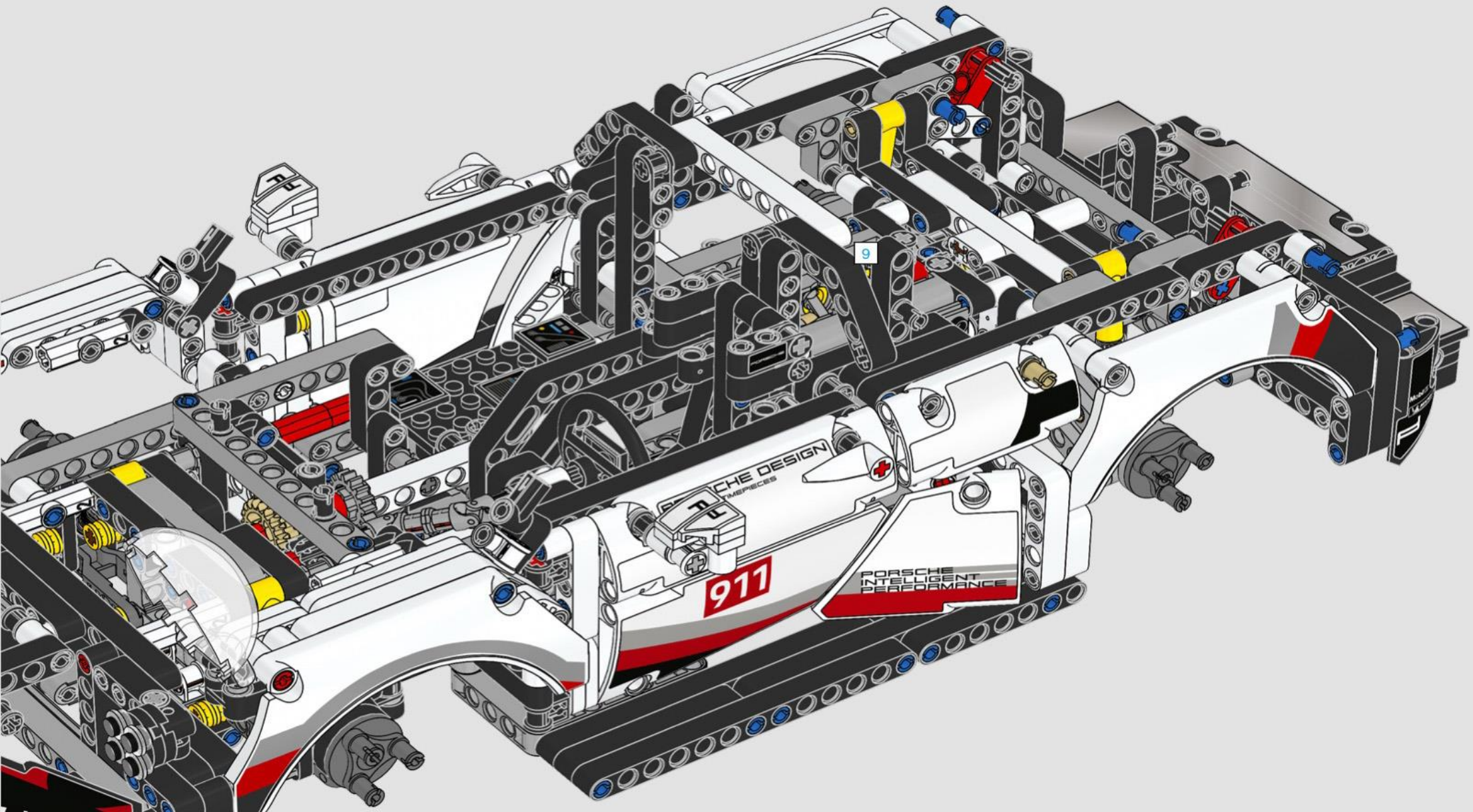


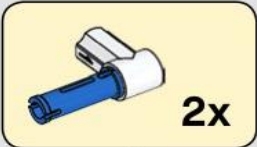
366



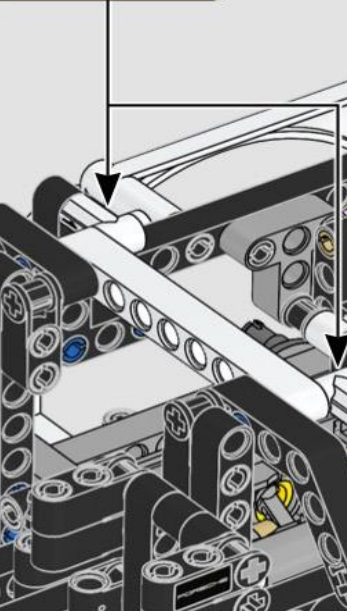
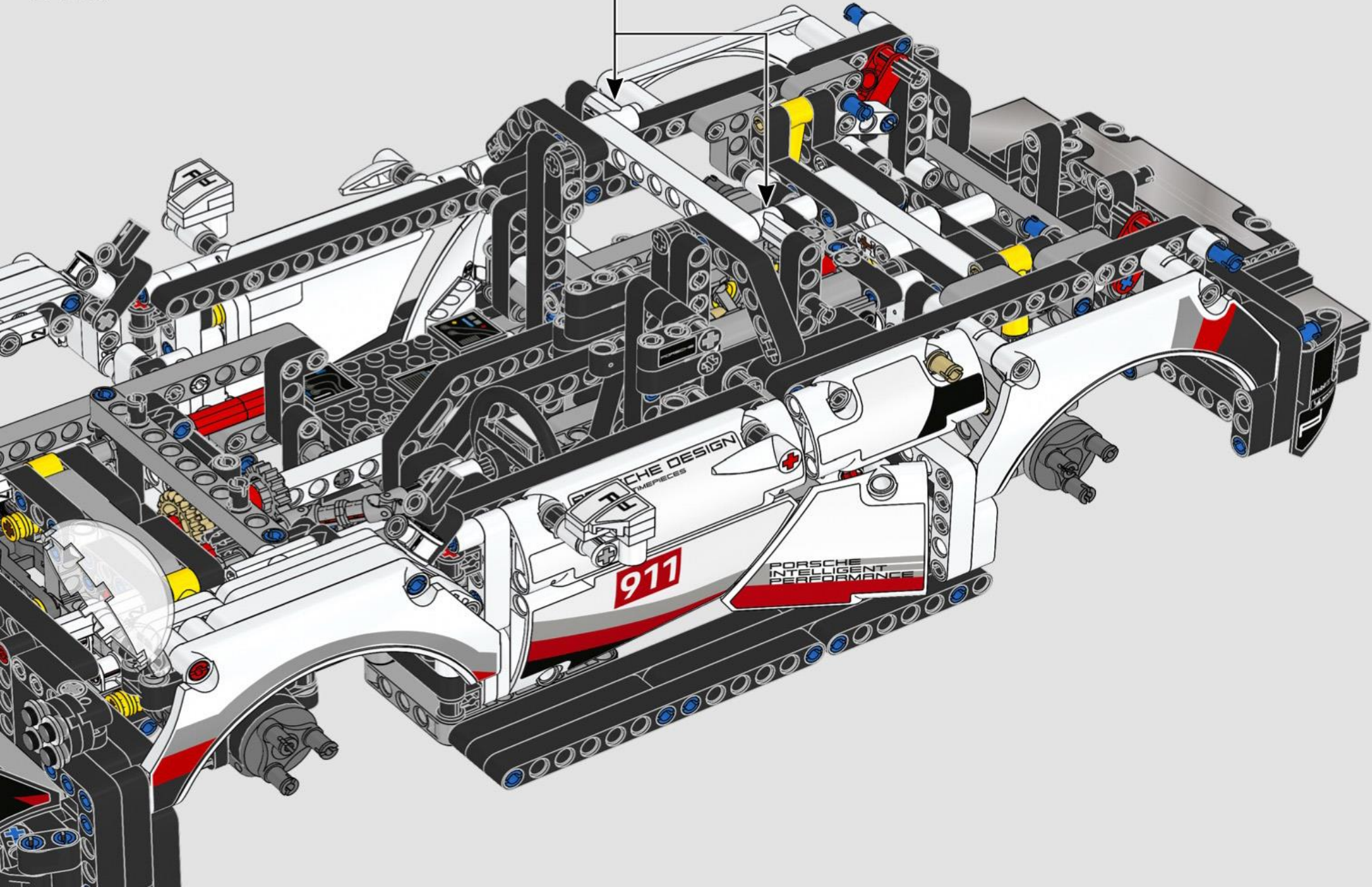


367





368

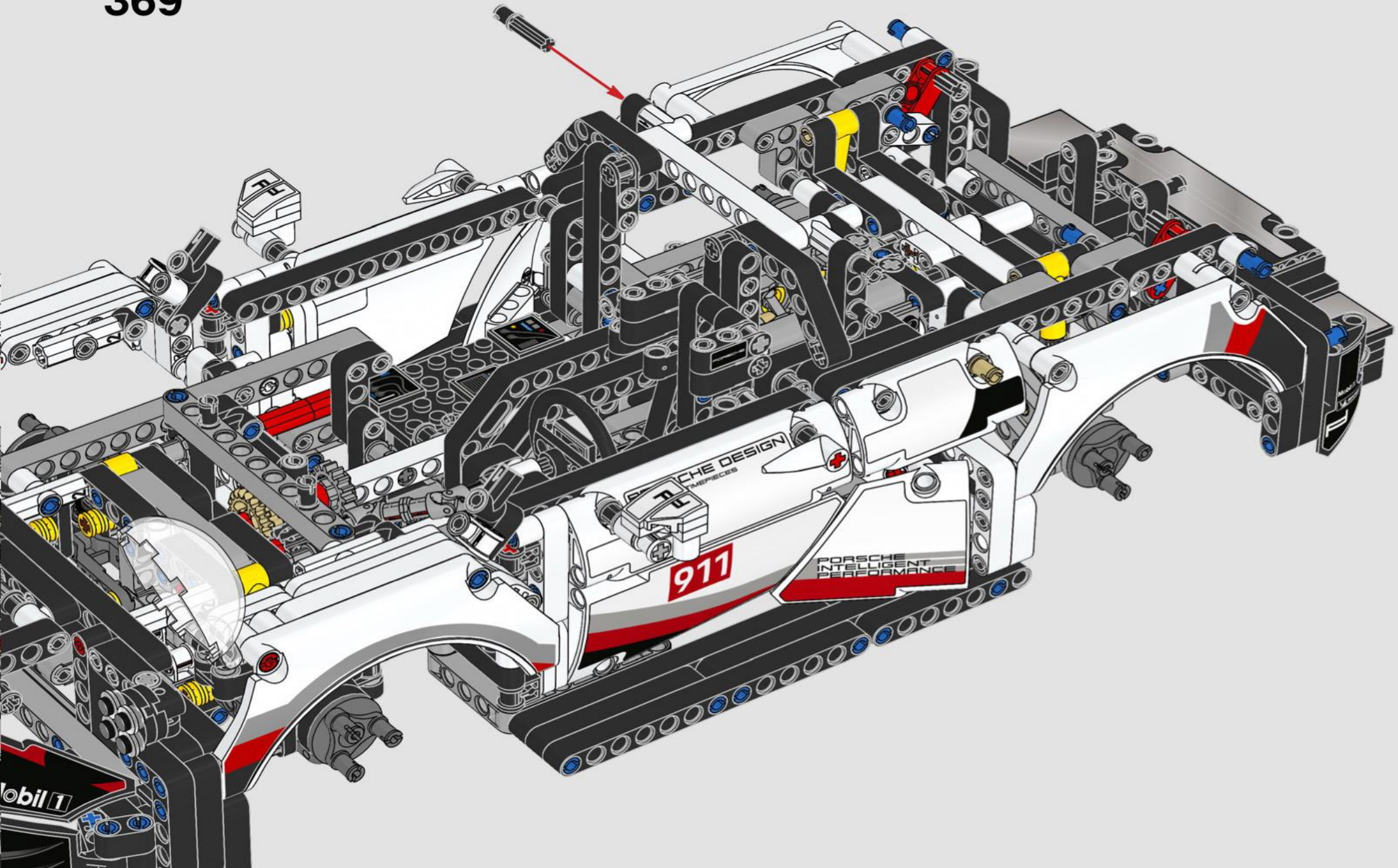


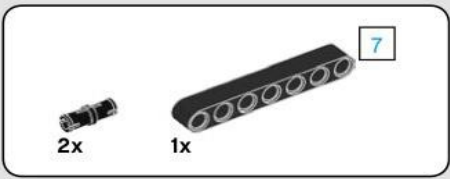
PORSCHE DESIGN
911

PORSCHE
INTELLIGENT
PERFORMANCE

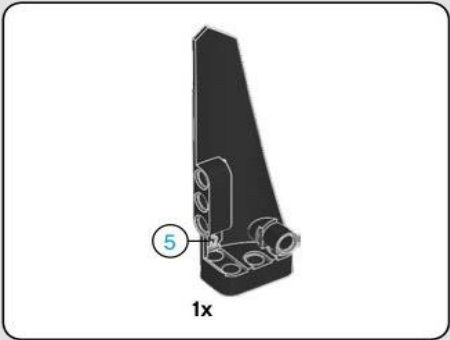
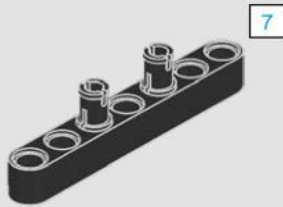


369

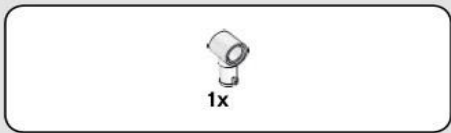
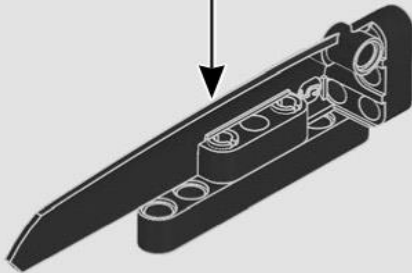
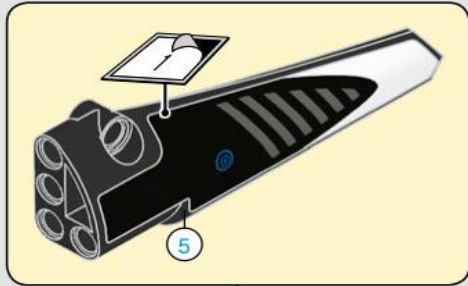




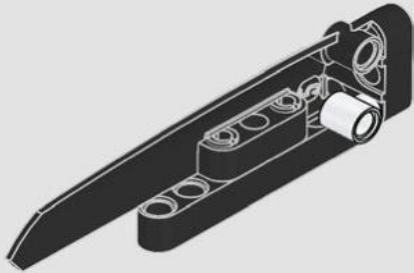
370



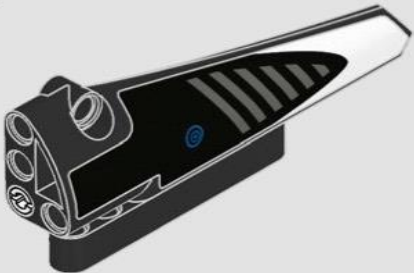
371



372

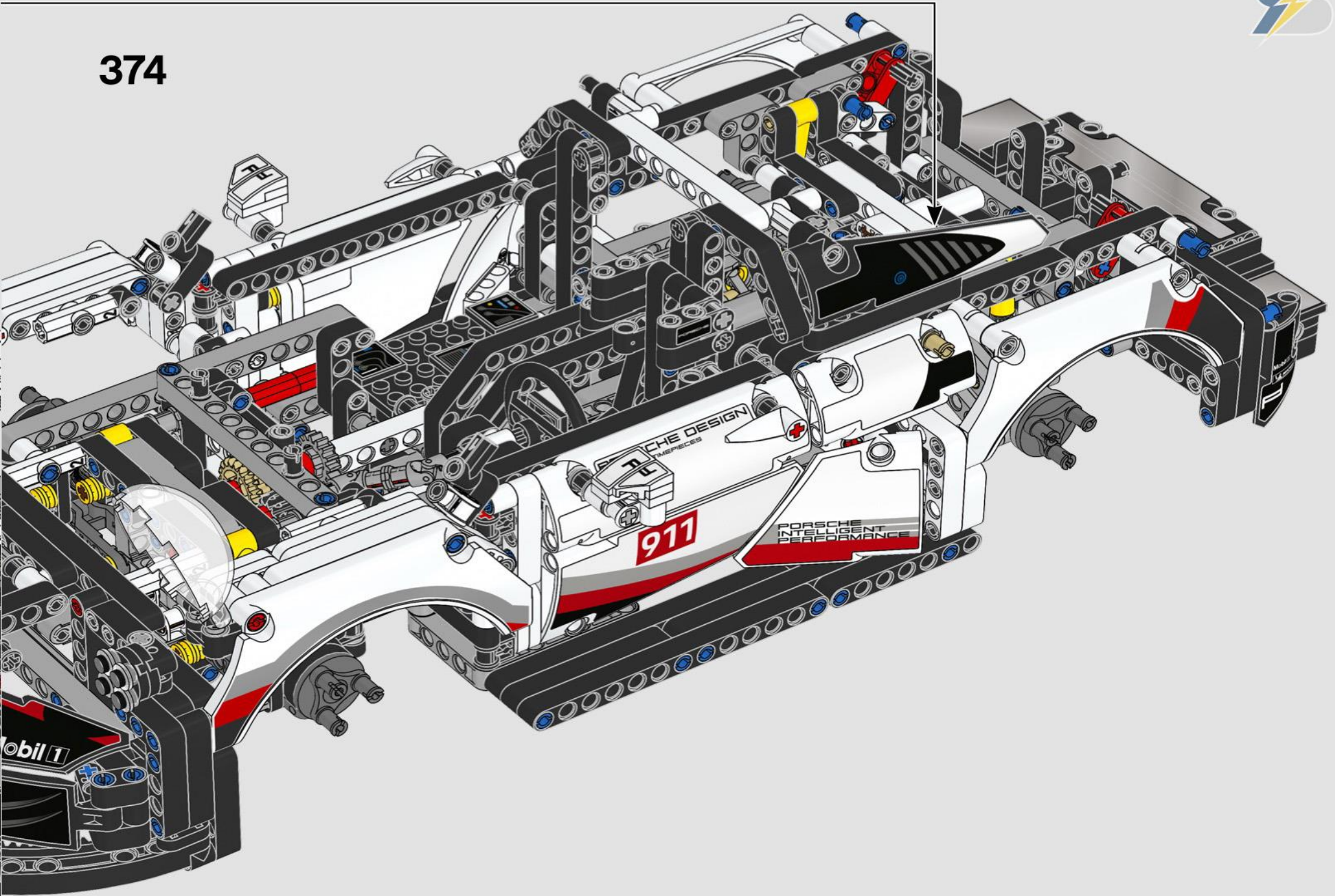


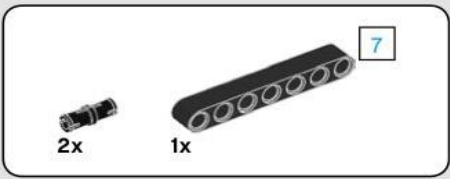
373



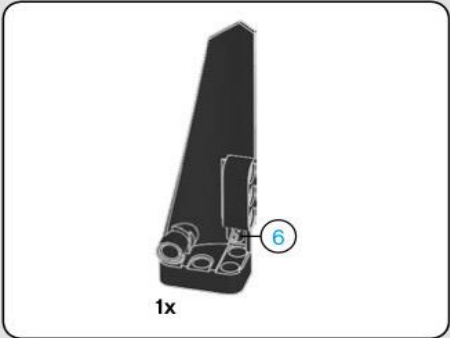
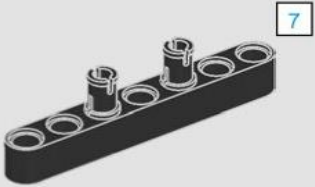


374

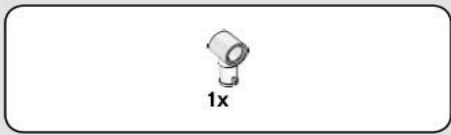
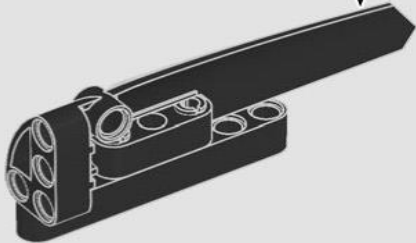
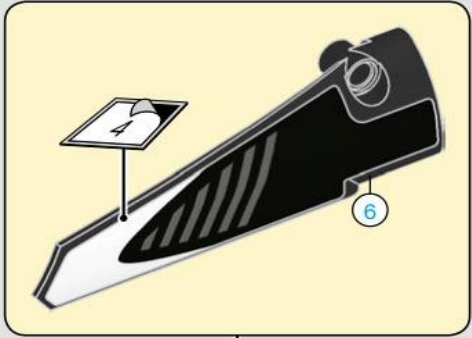




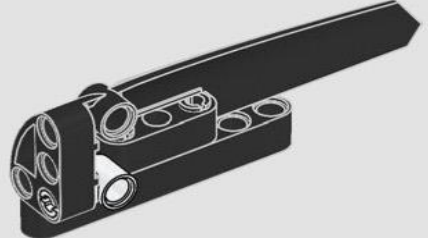
375



376

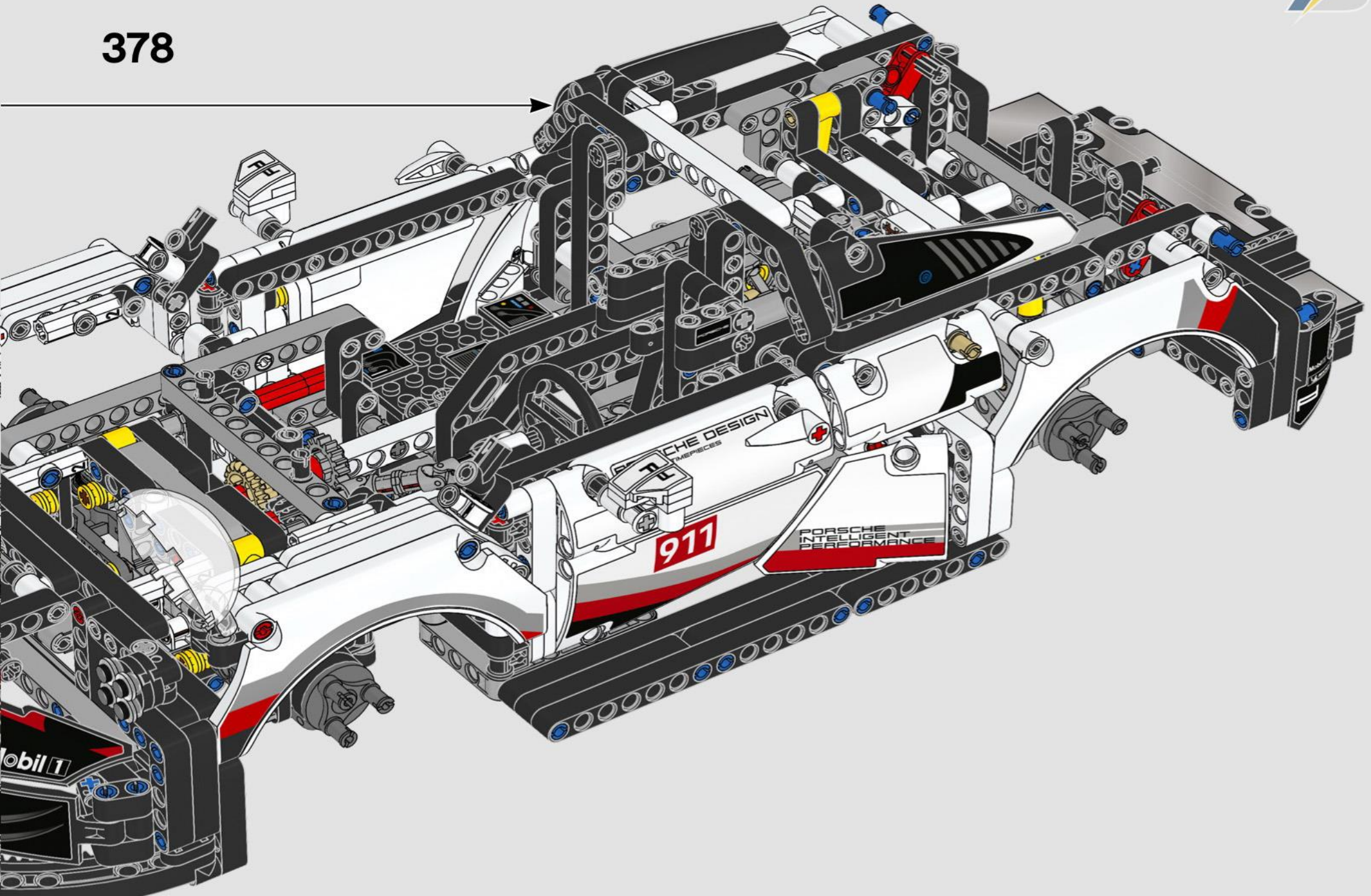


377

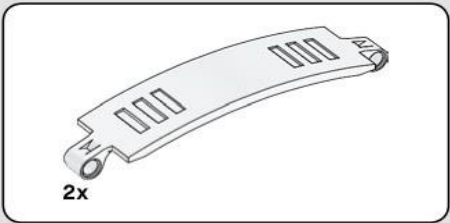




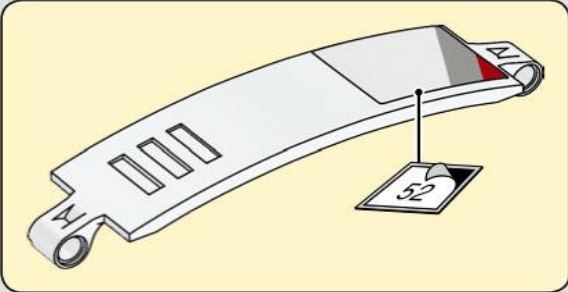
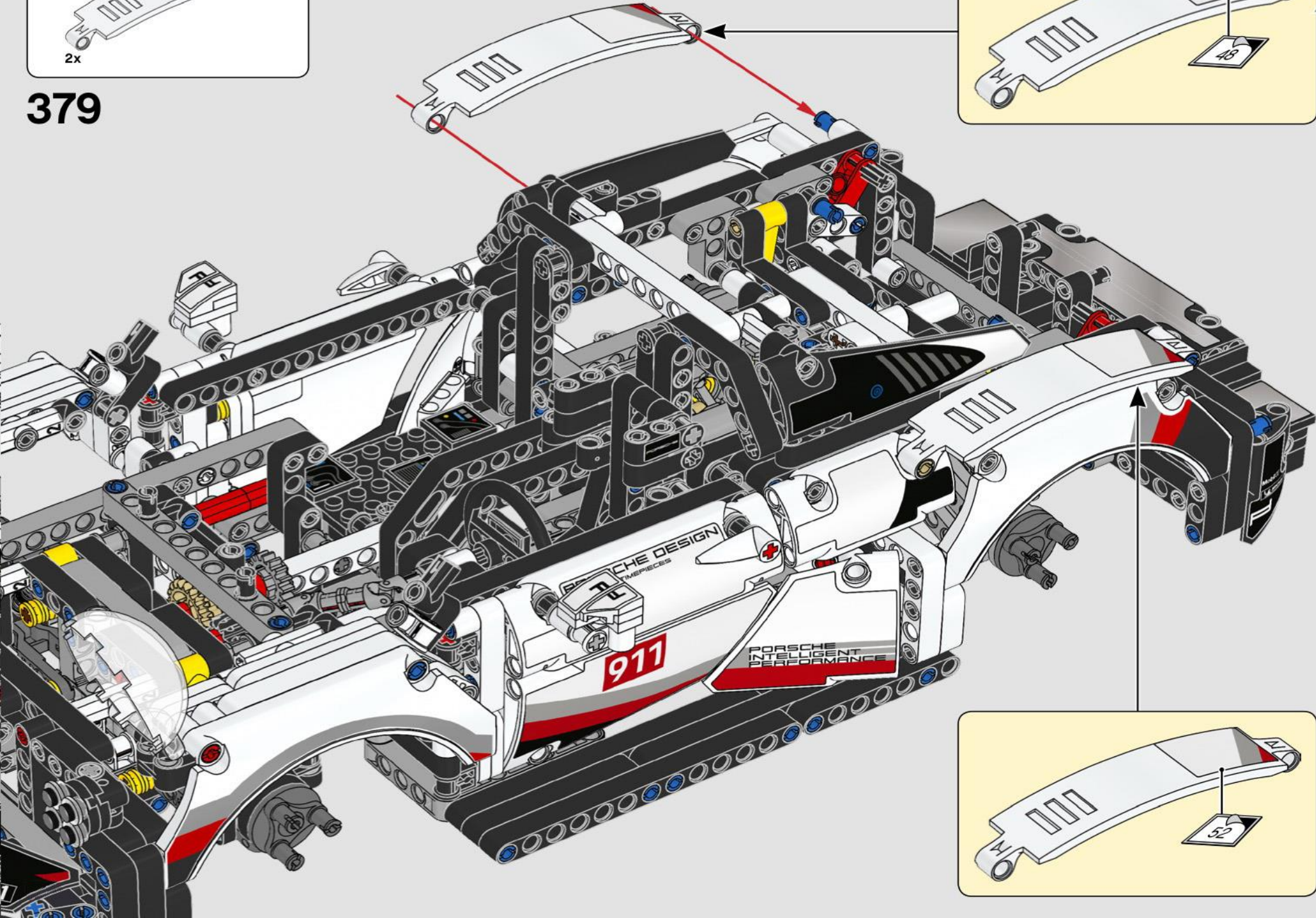
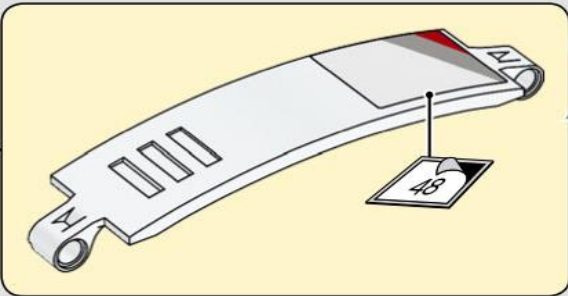
378

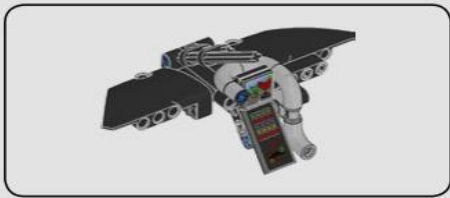


Mobil 1

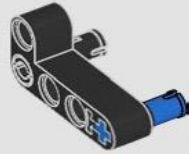


379

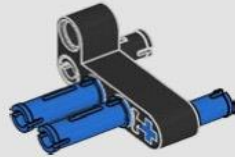




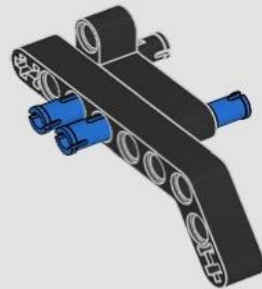
380



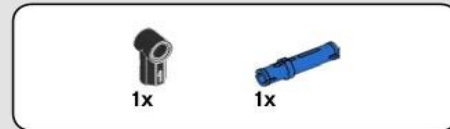
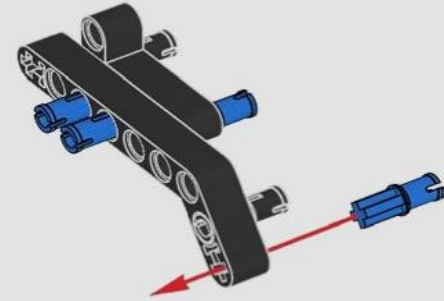
381



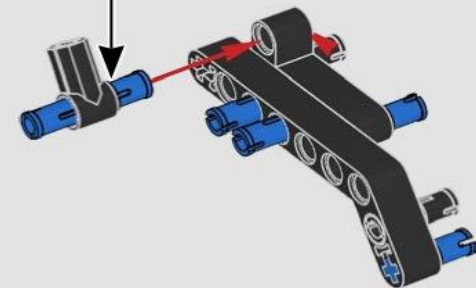
382

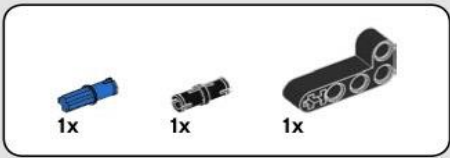


383

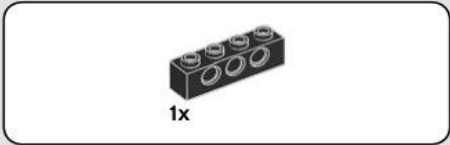
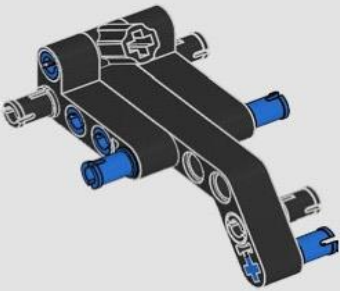


384

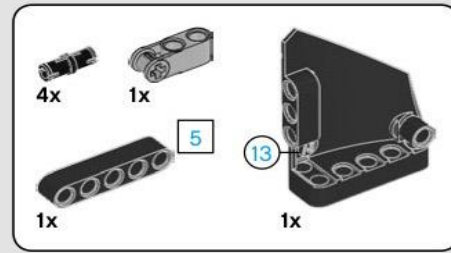
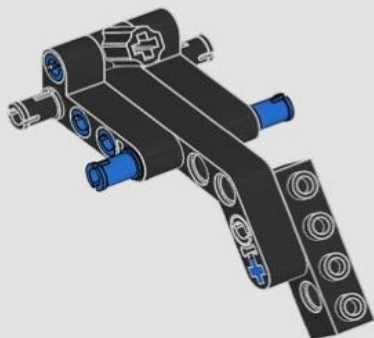




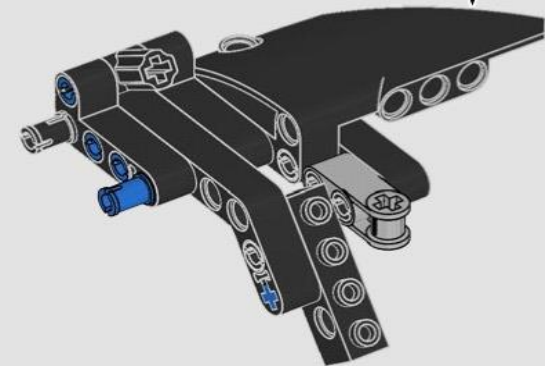
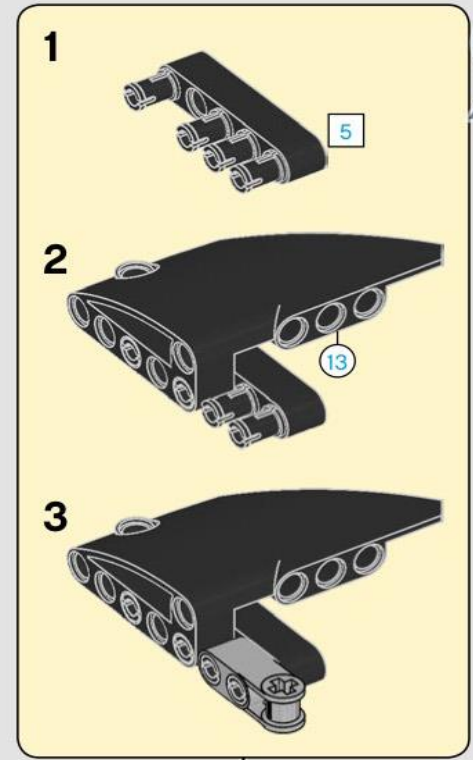
385

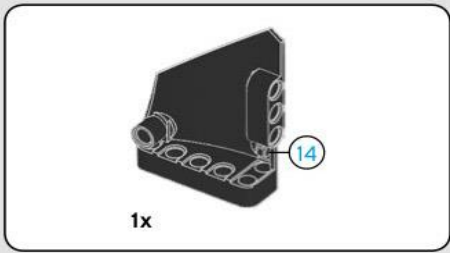


386

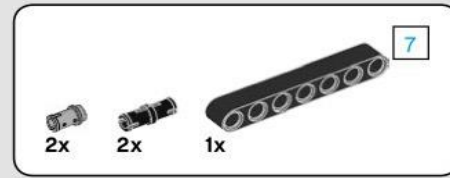
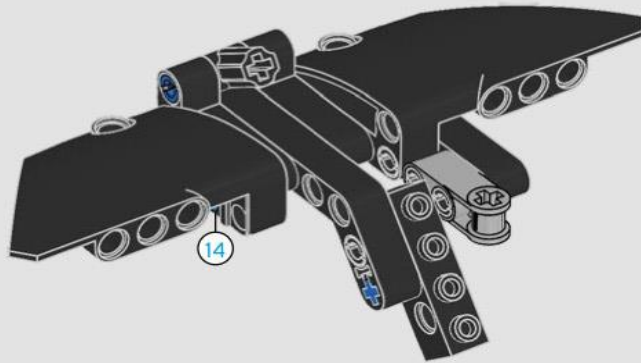


387

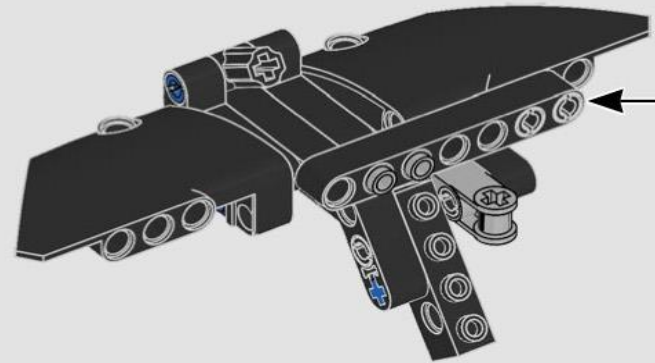
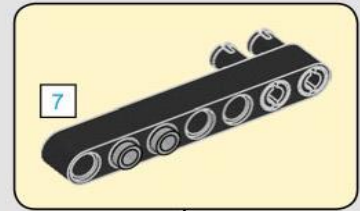


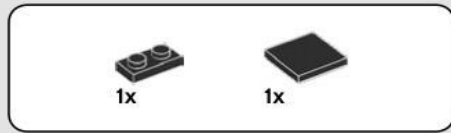
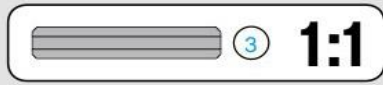
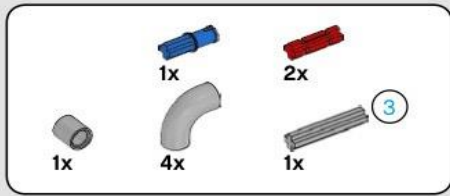


388

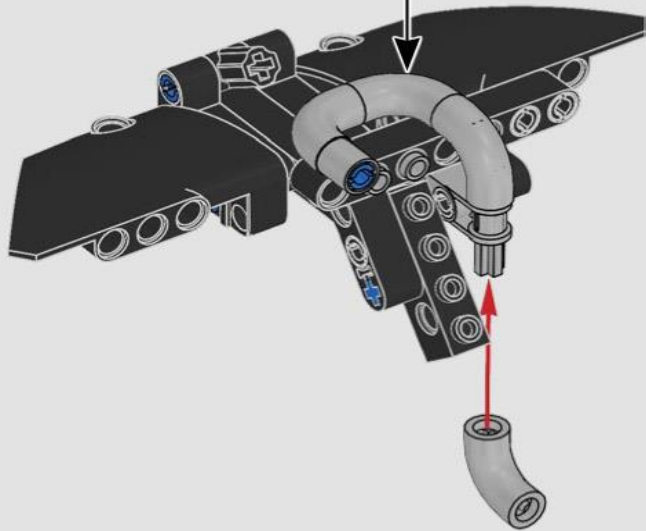
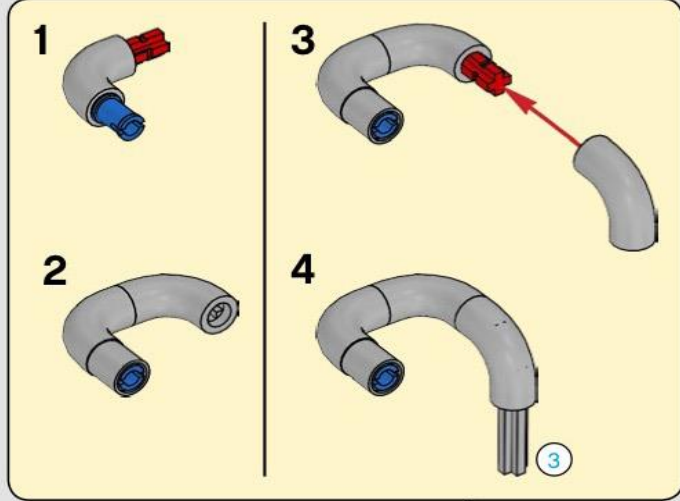


389

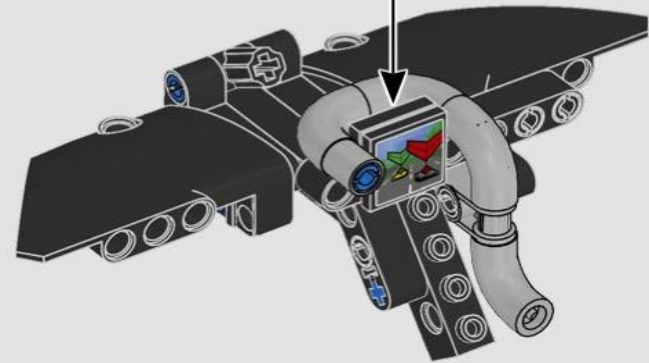
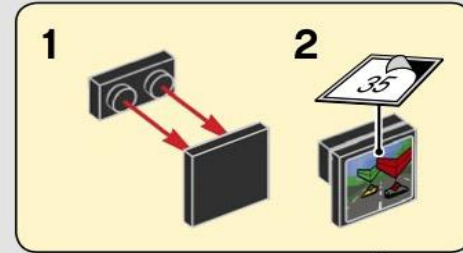


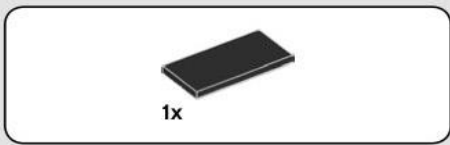


390

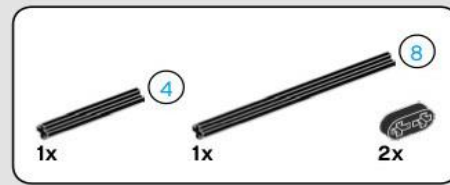
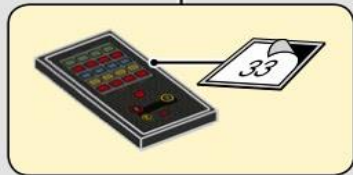
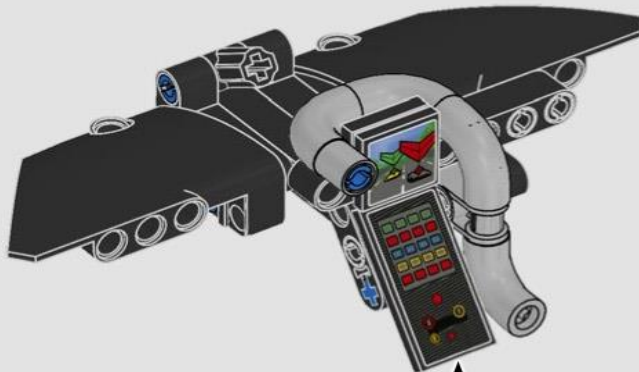


391

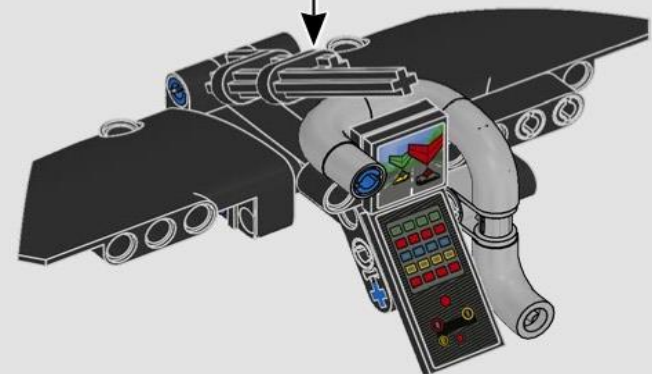
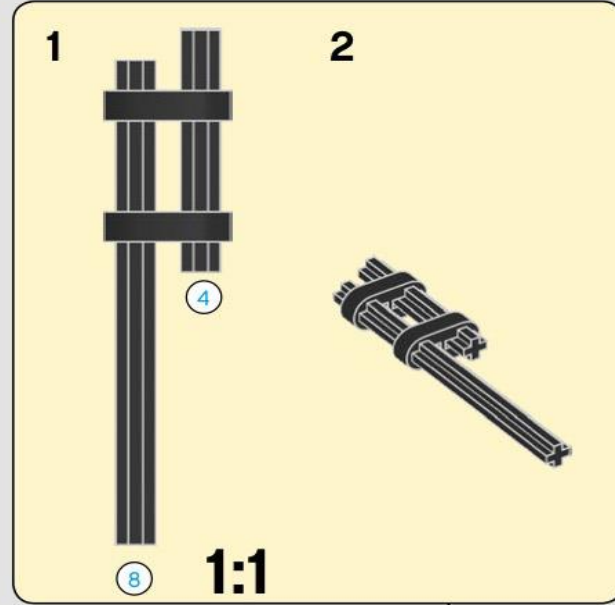




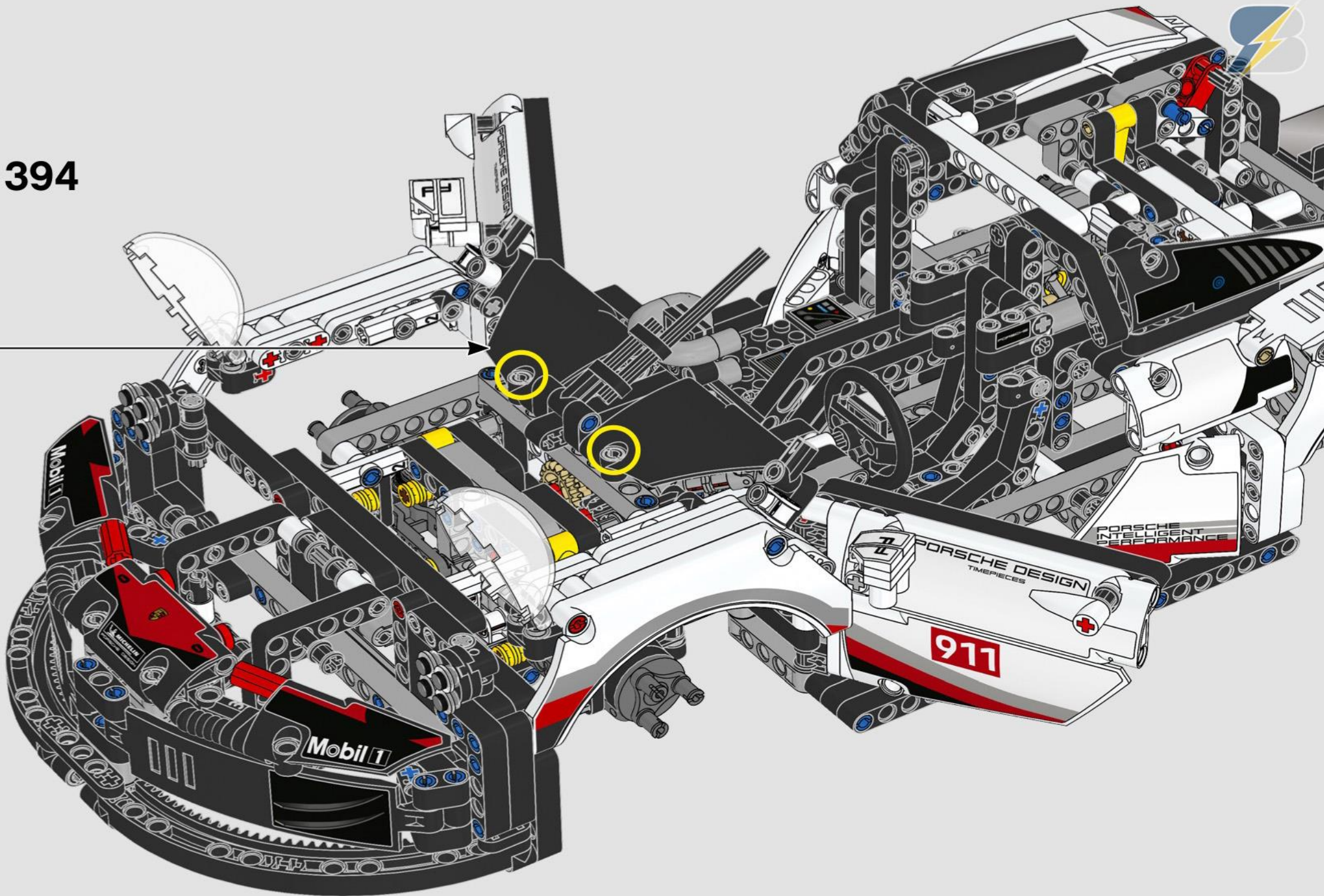
392

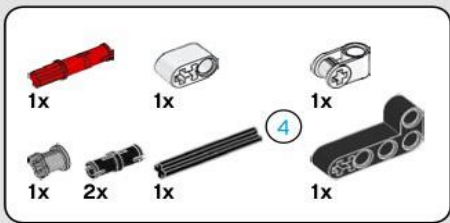


393

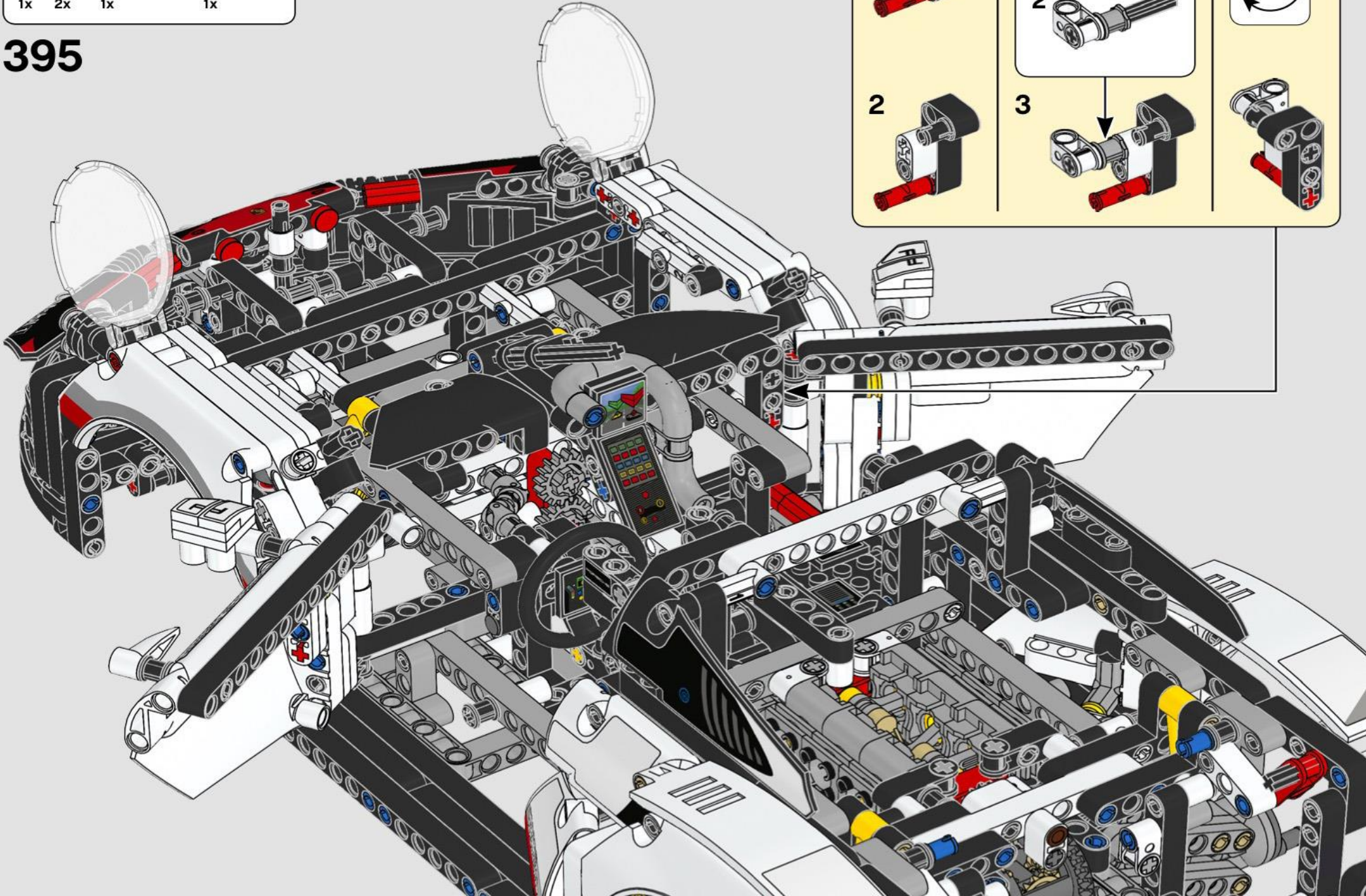
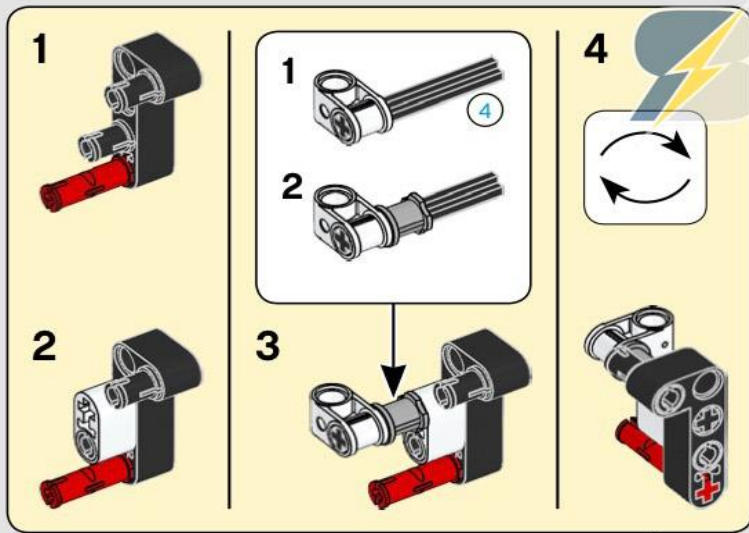


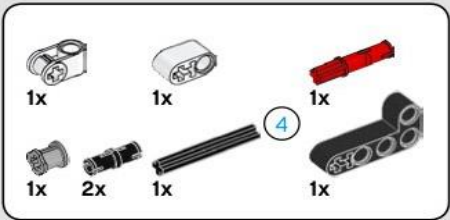
394





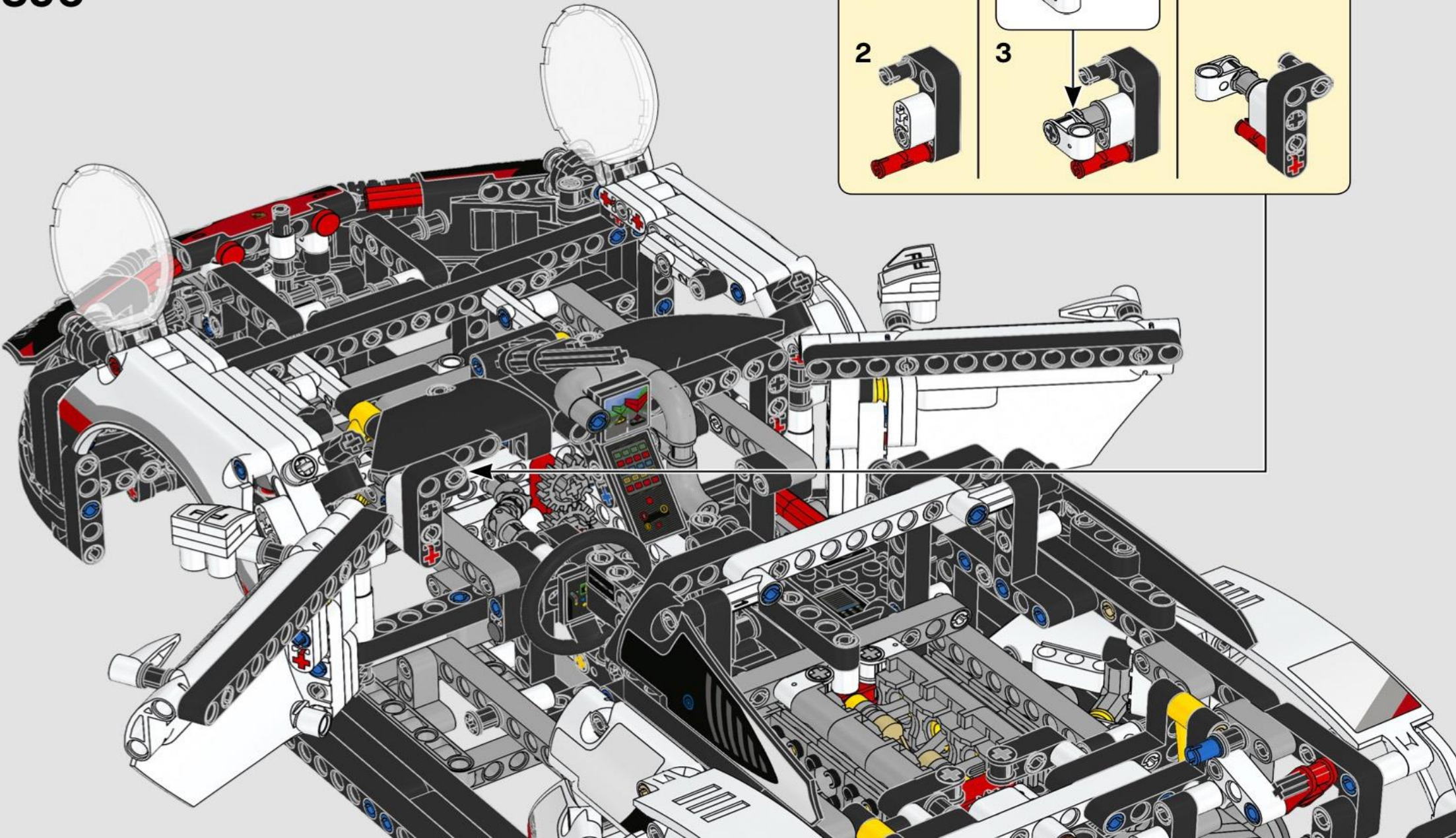
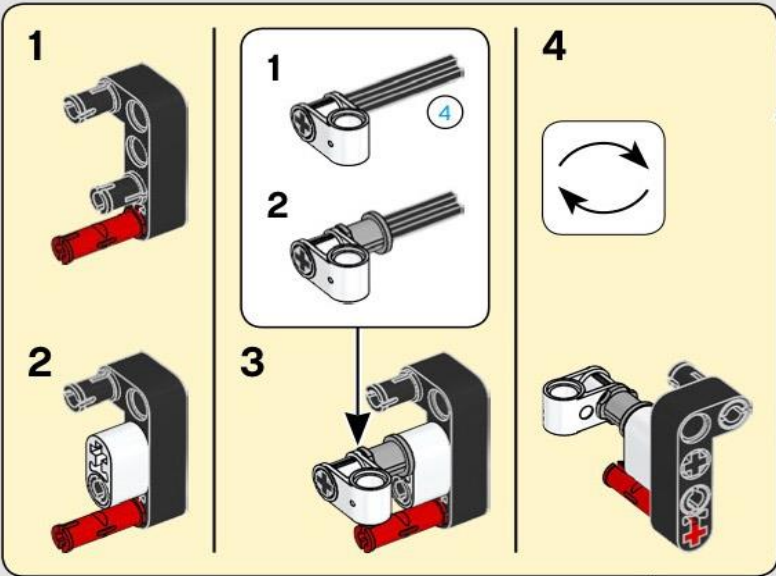
395

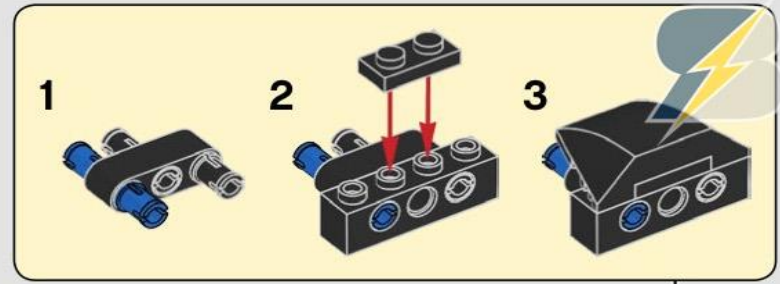
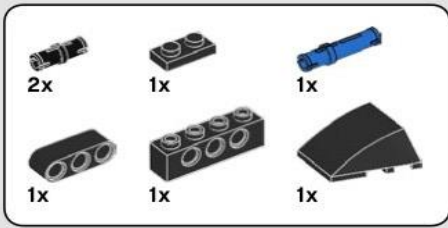




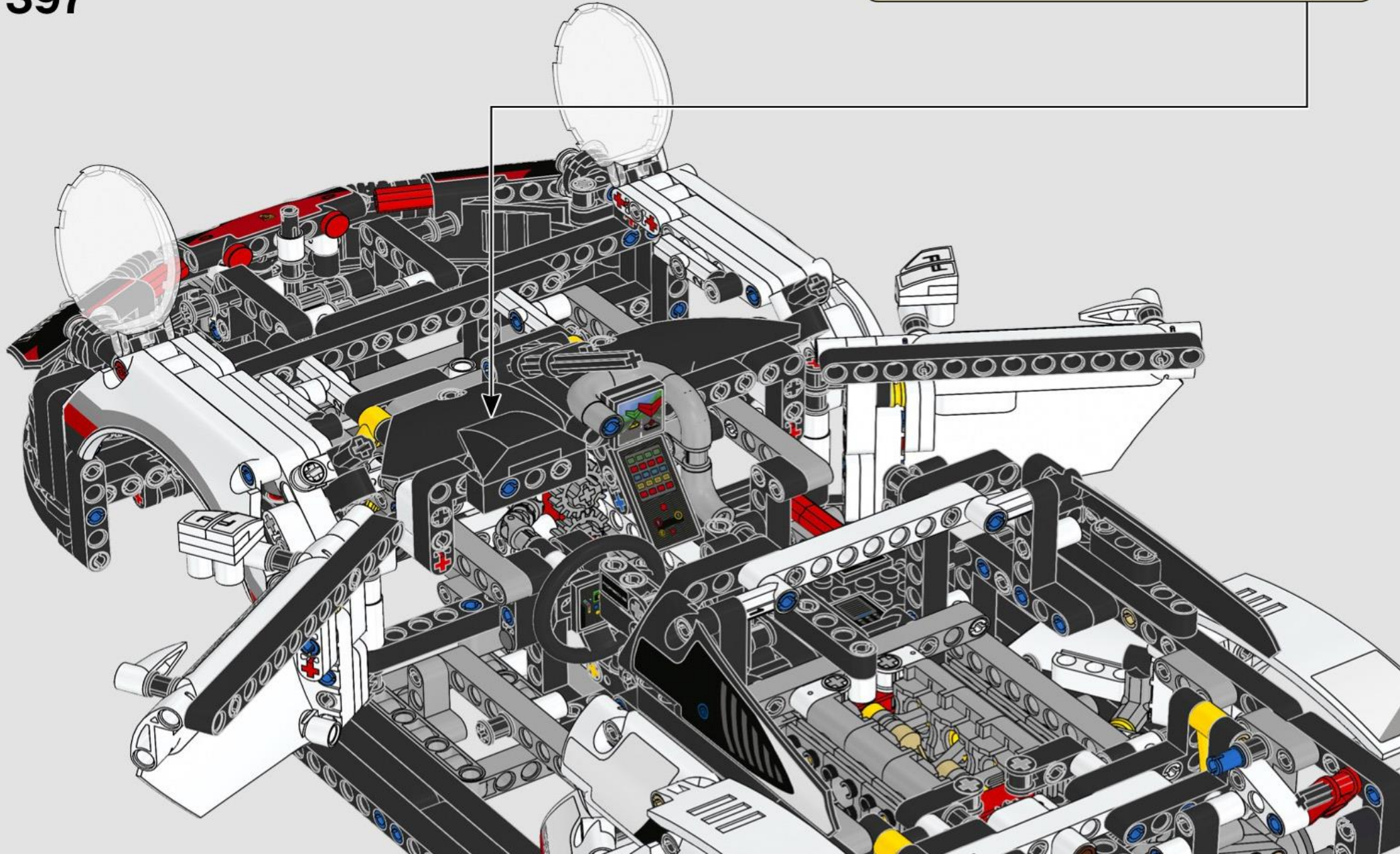
4 1:1

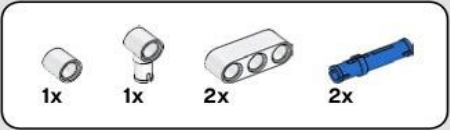
396



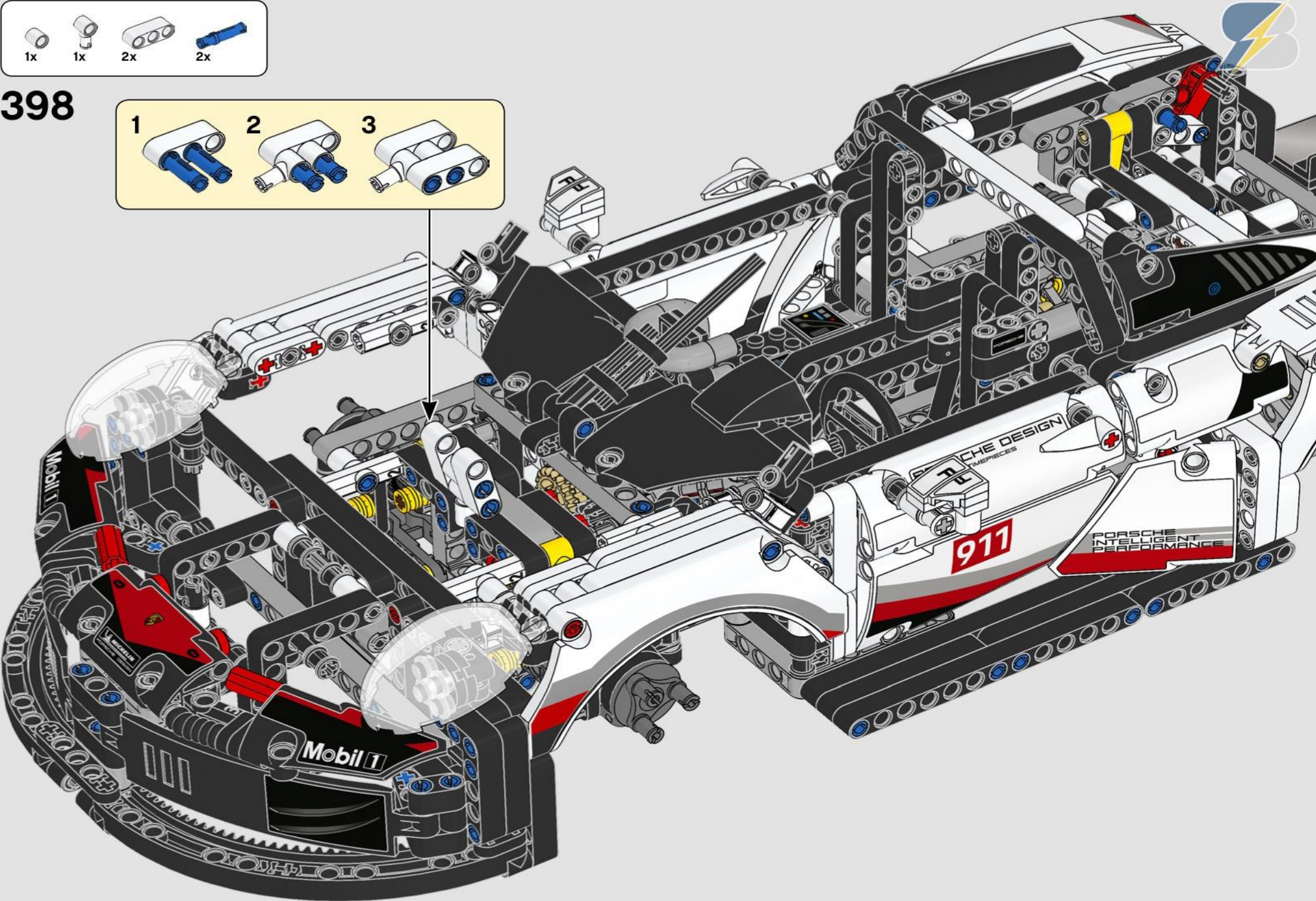
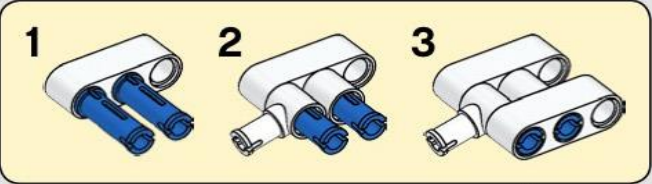


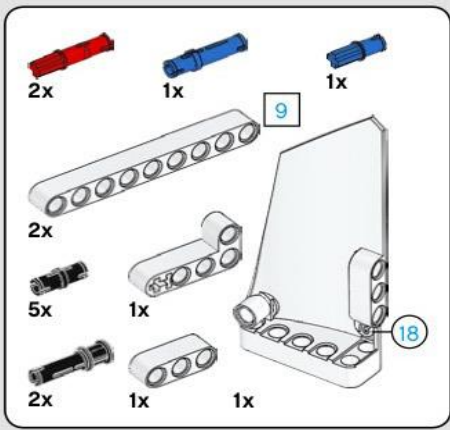
397





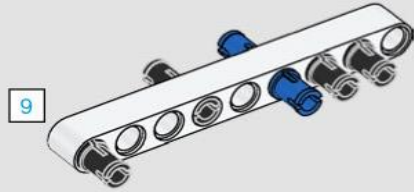
398





399

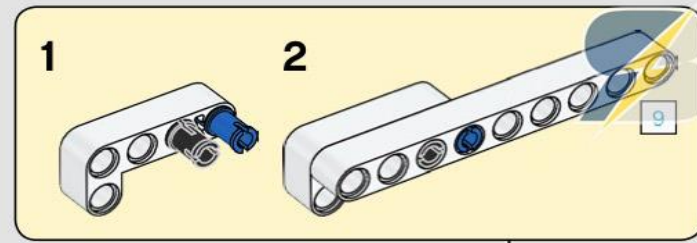
1



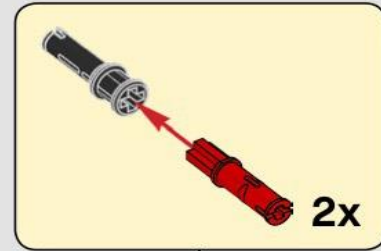
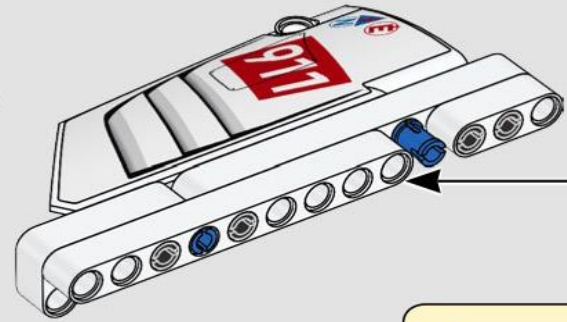
2



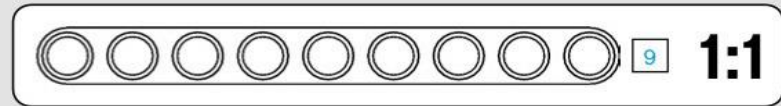
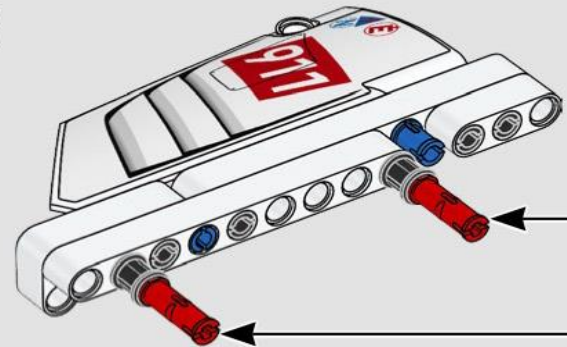
3

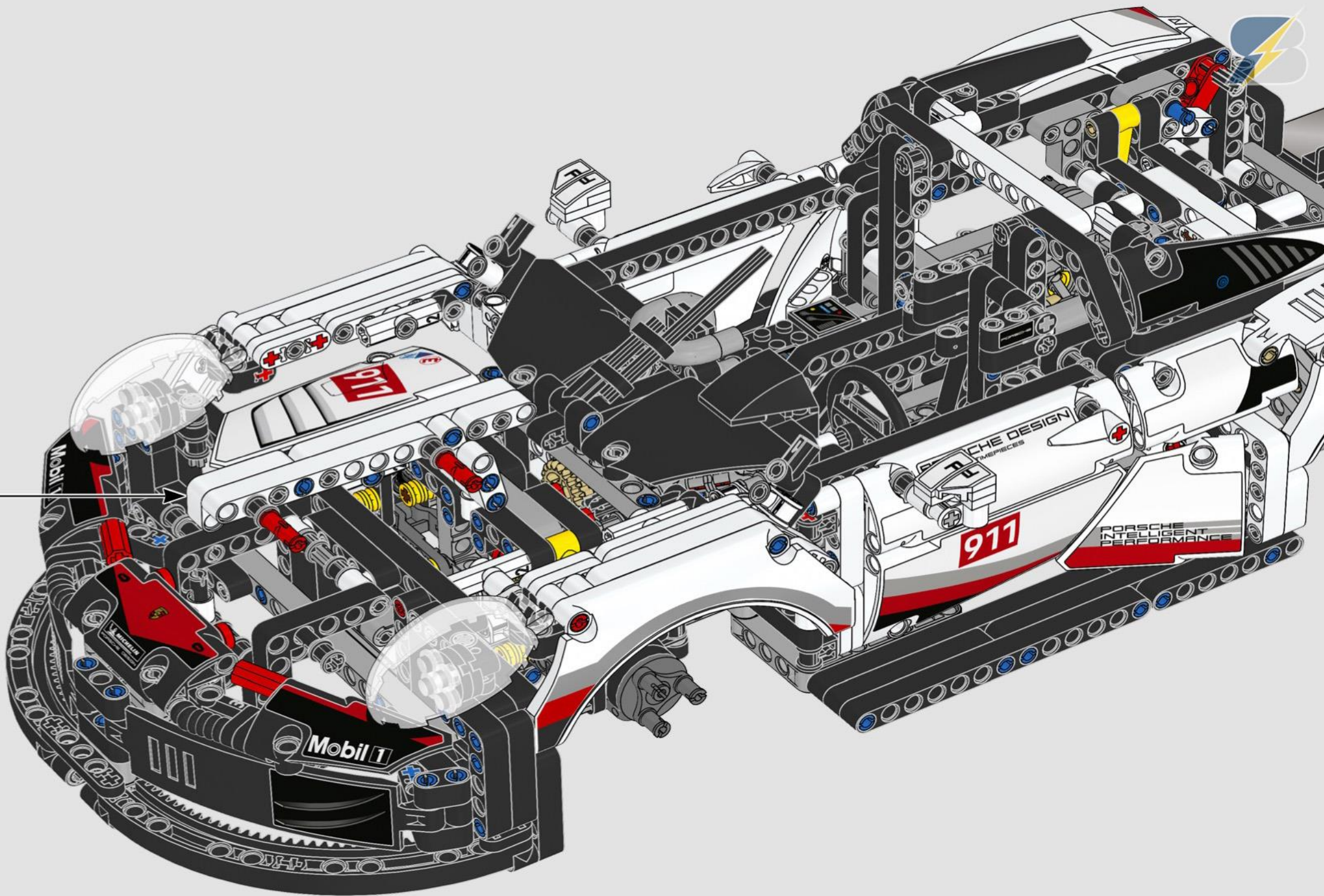


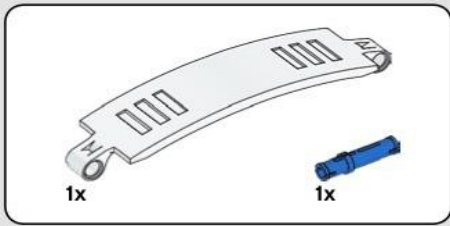
4



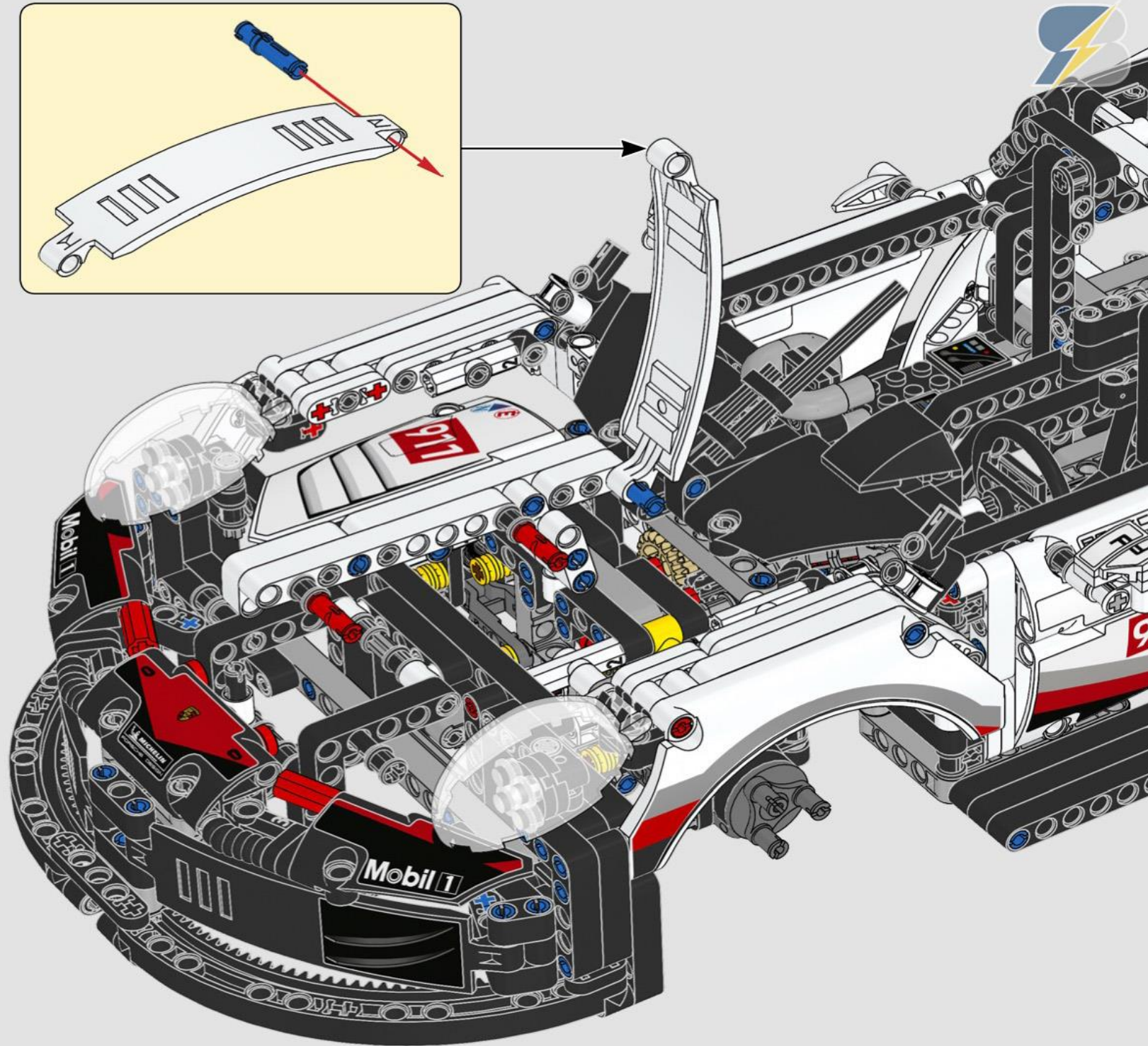
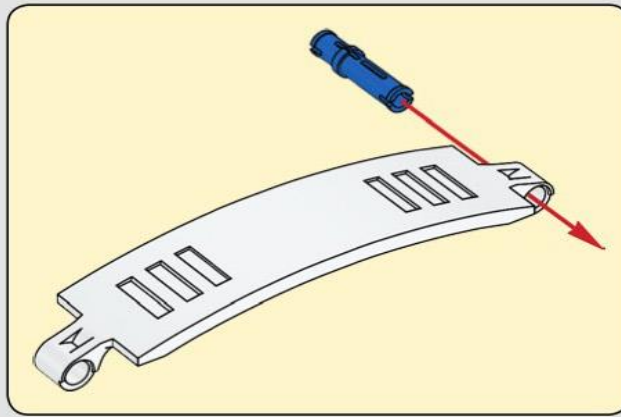
5

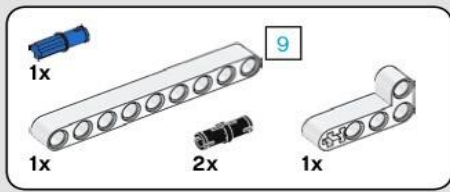




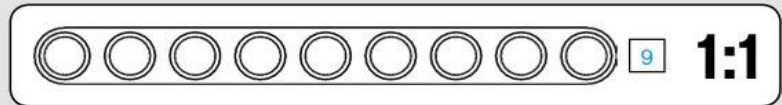
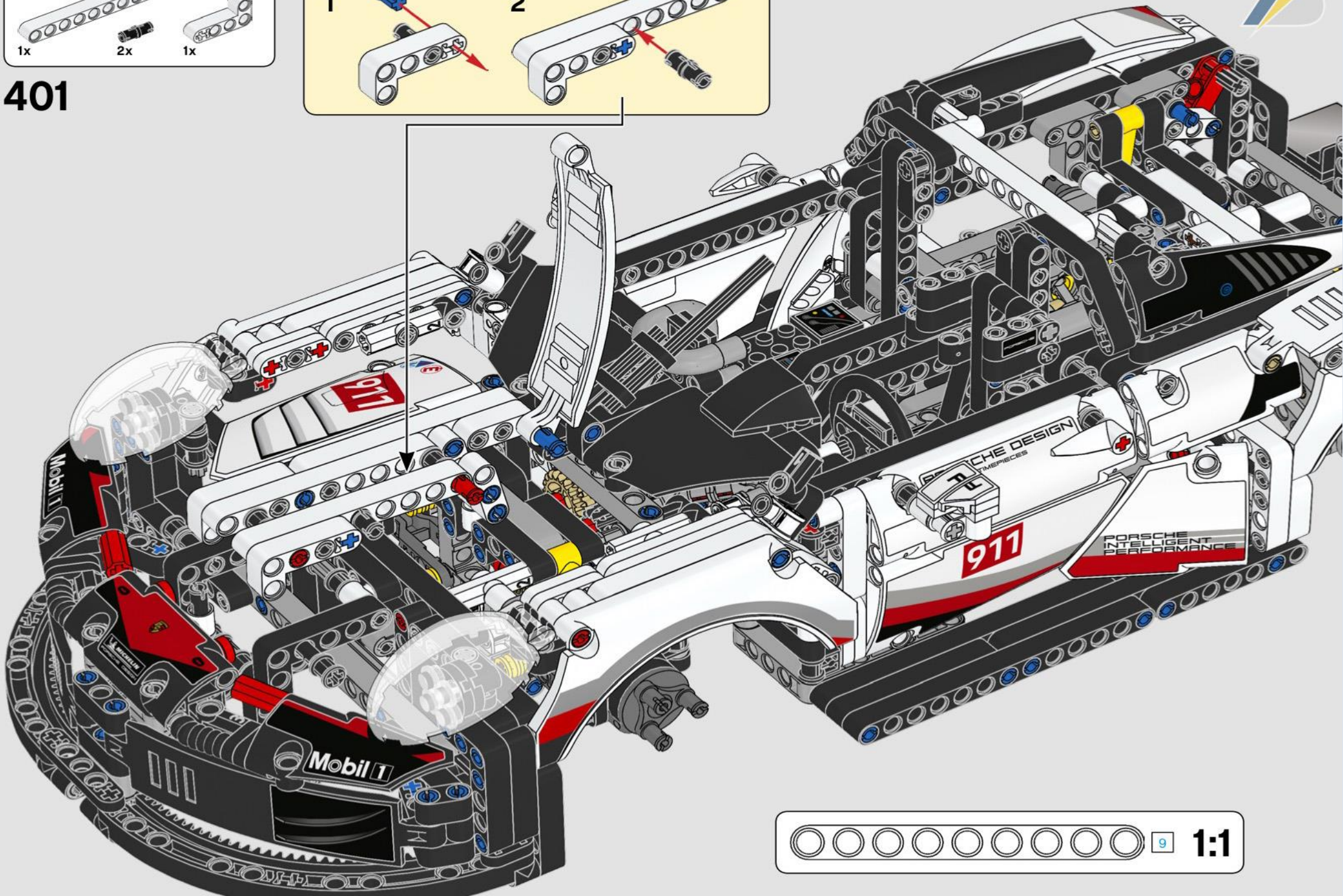
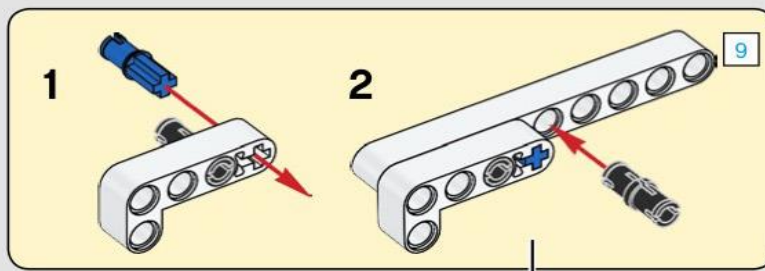


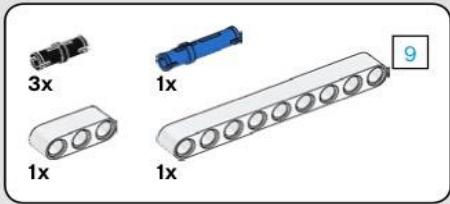
400



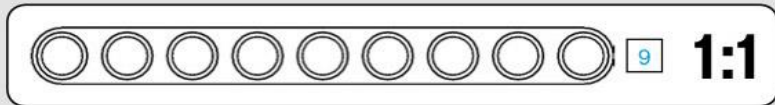
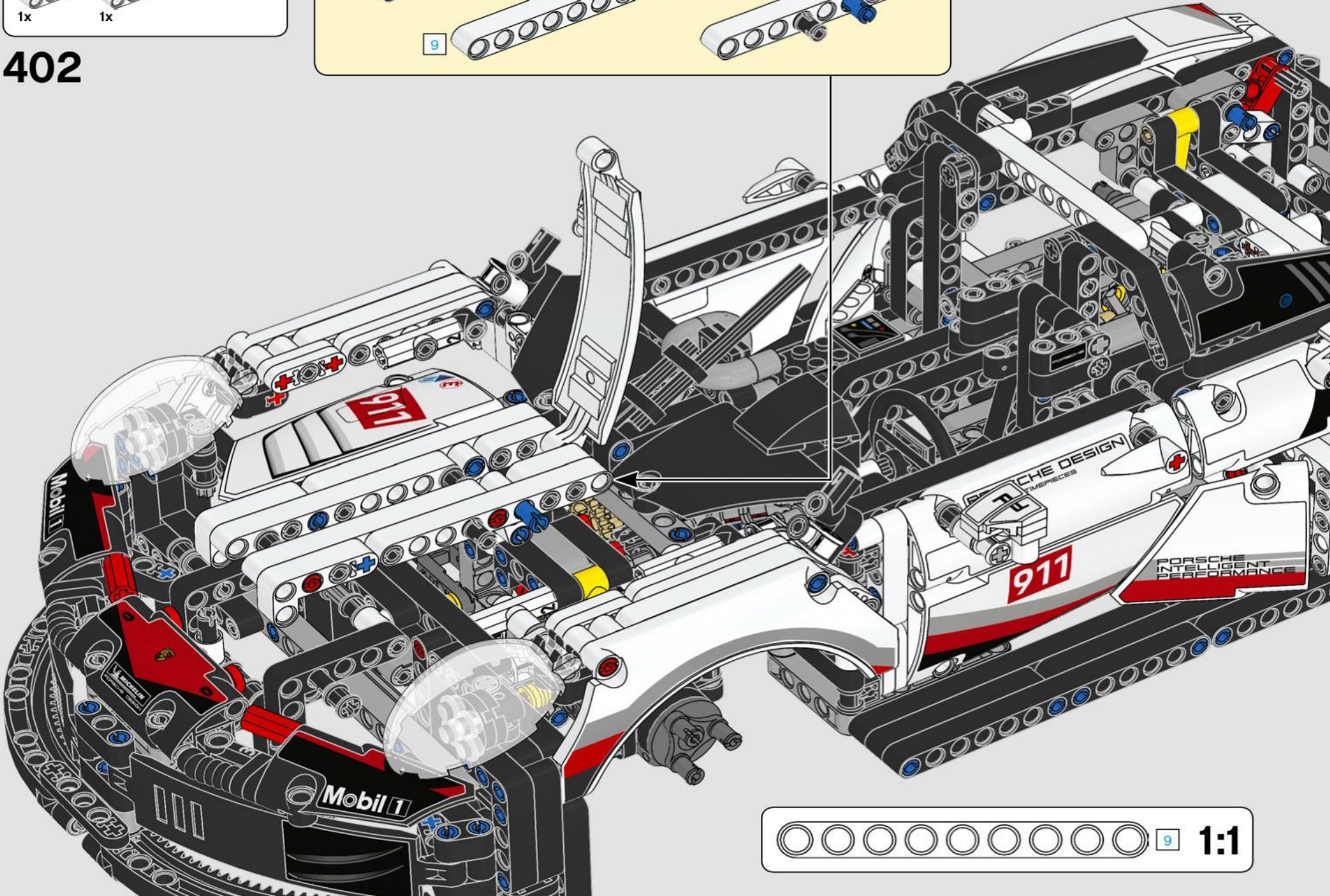
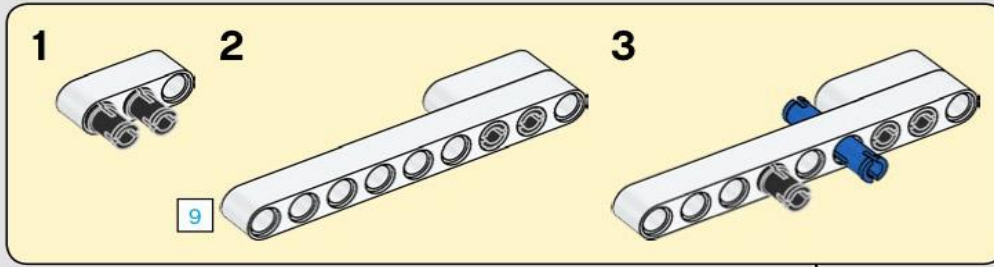


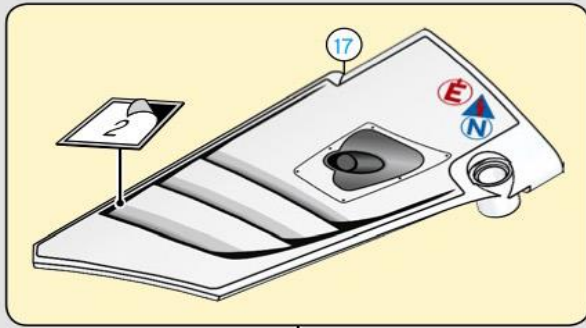
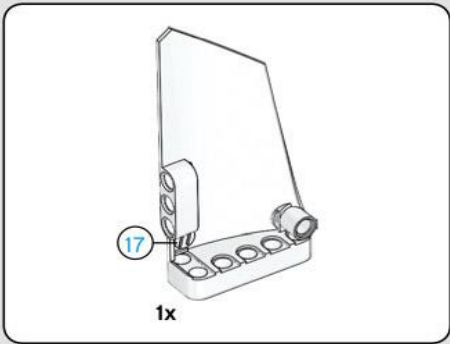
401



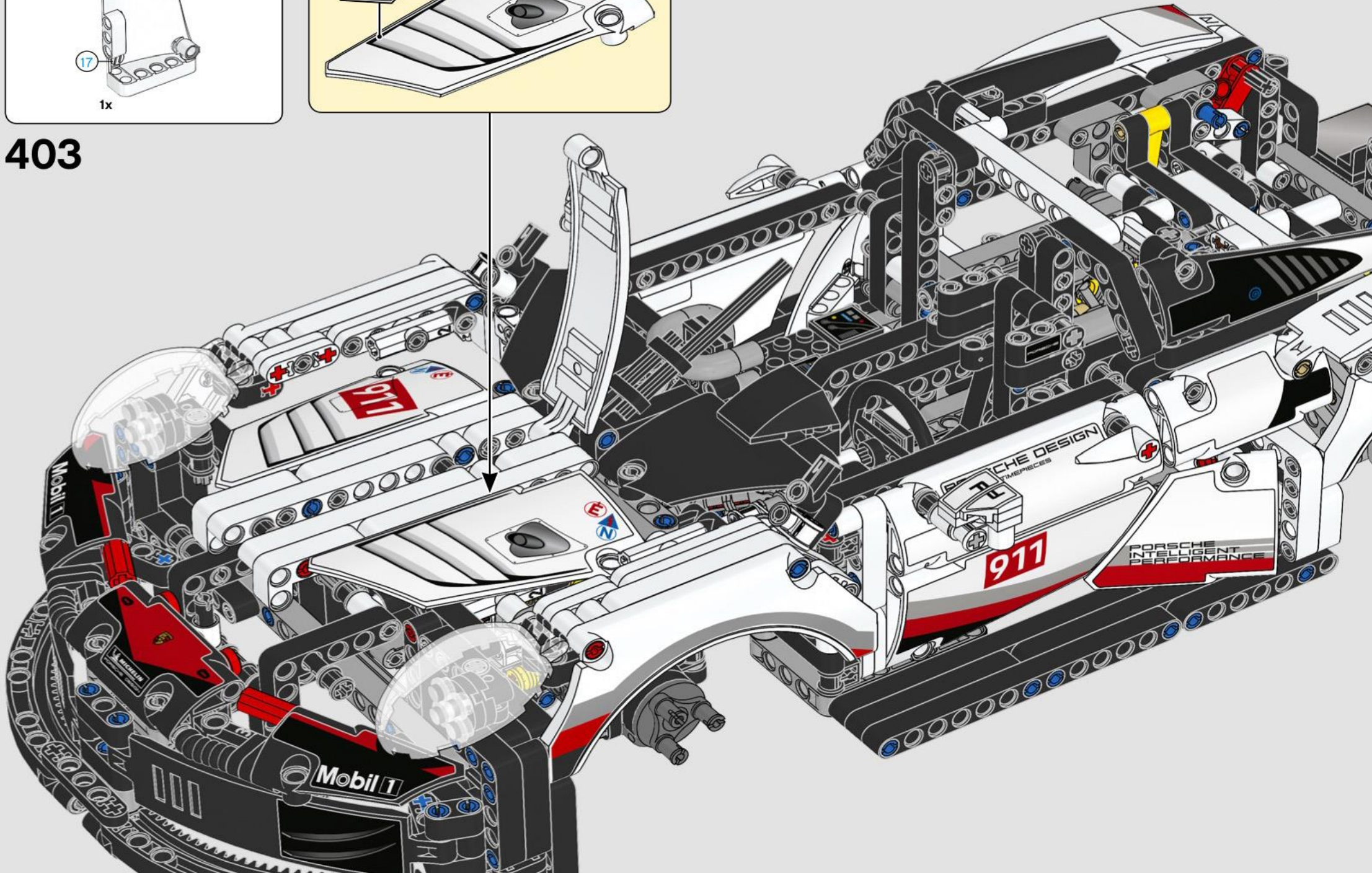


402

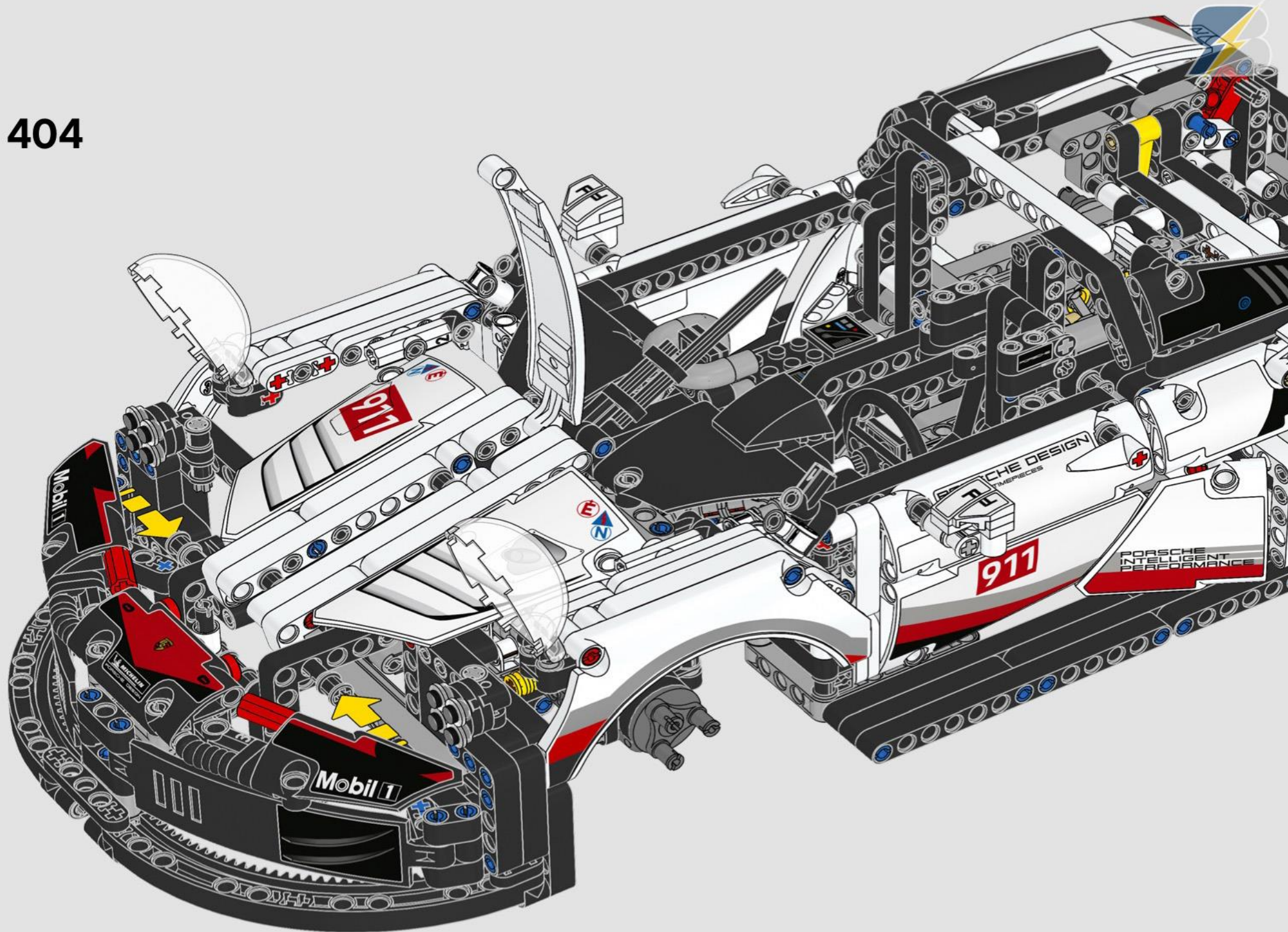


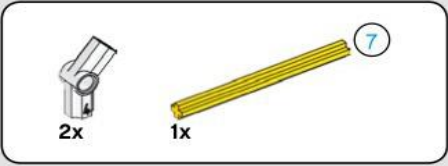


403

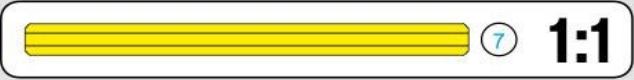
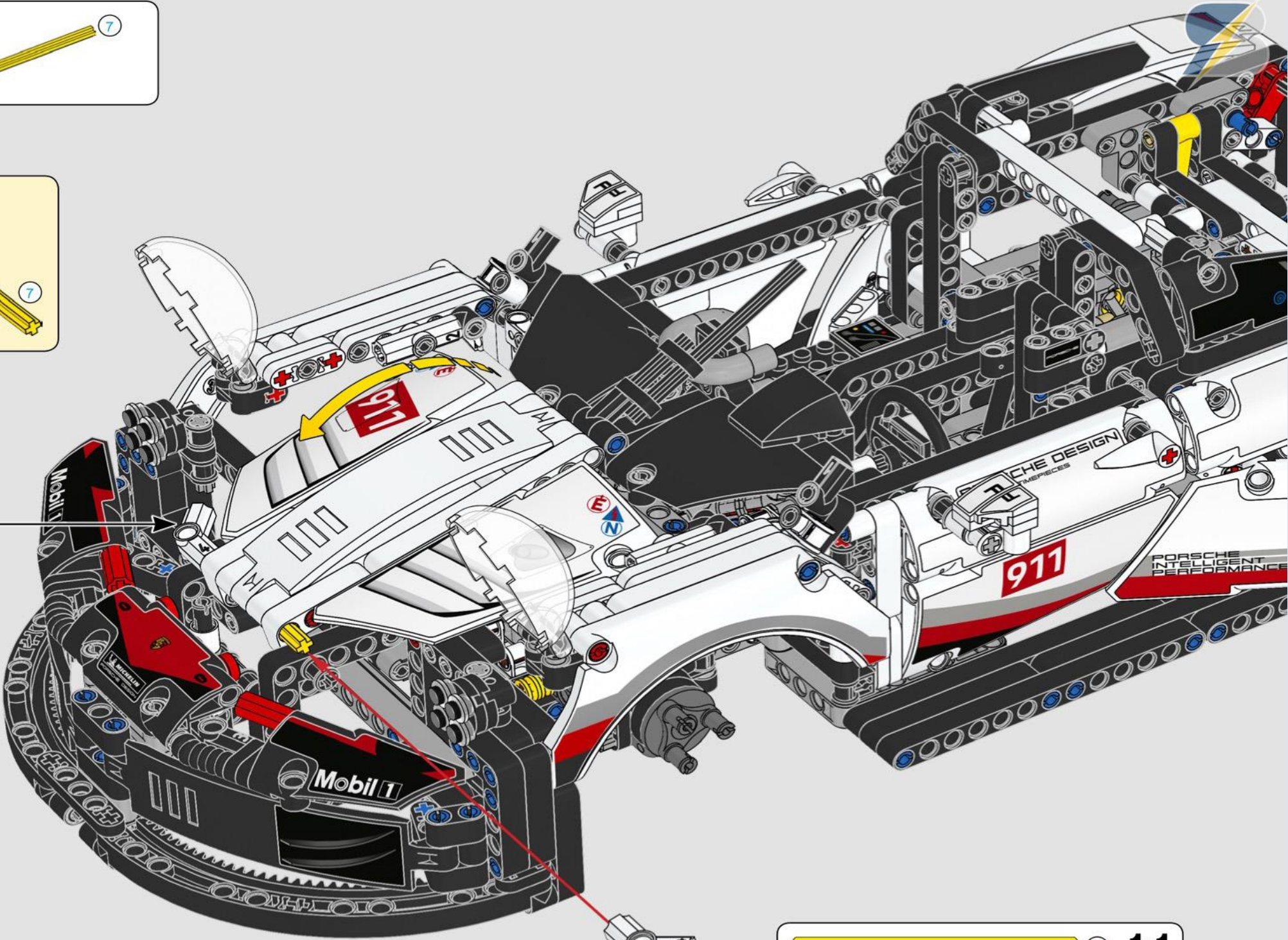
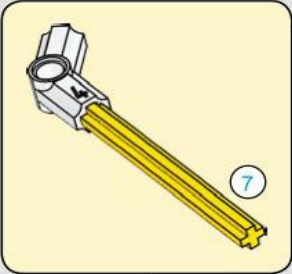


404



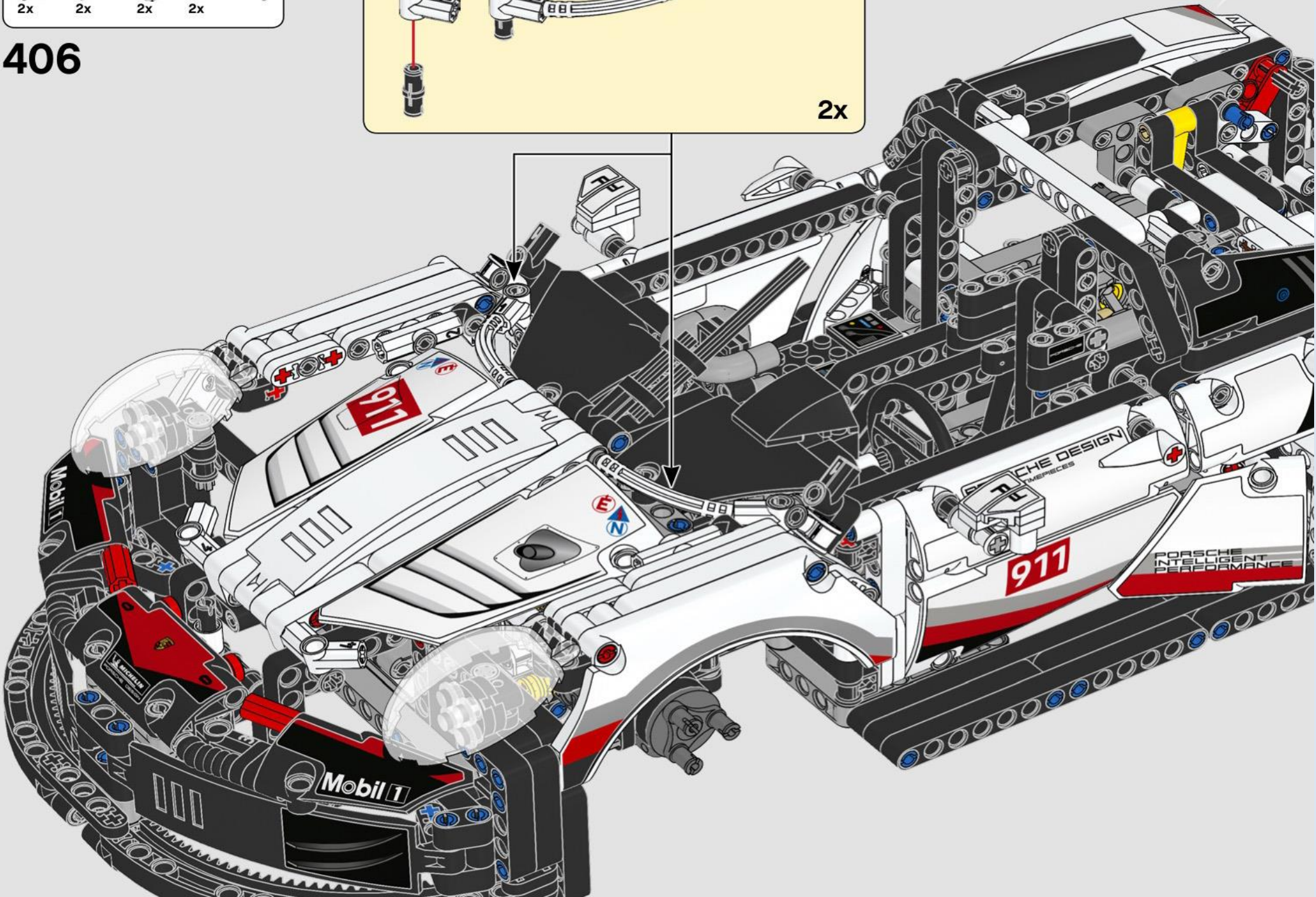
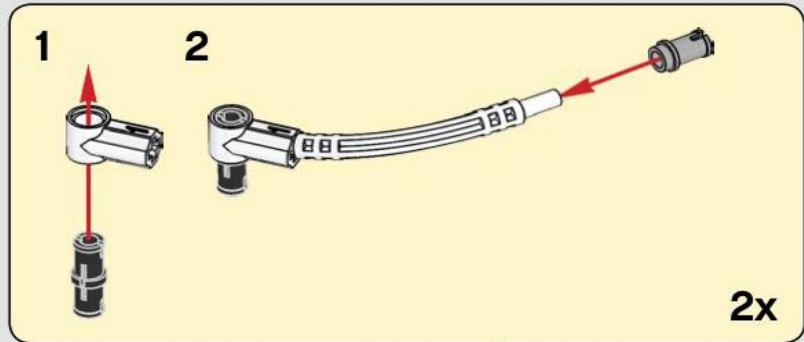


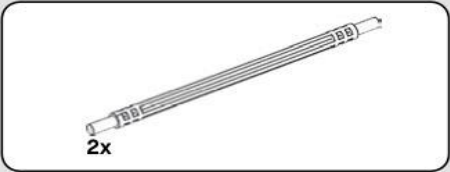
405



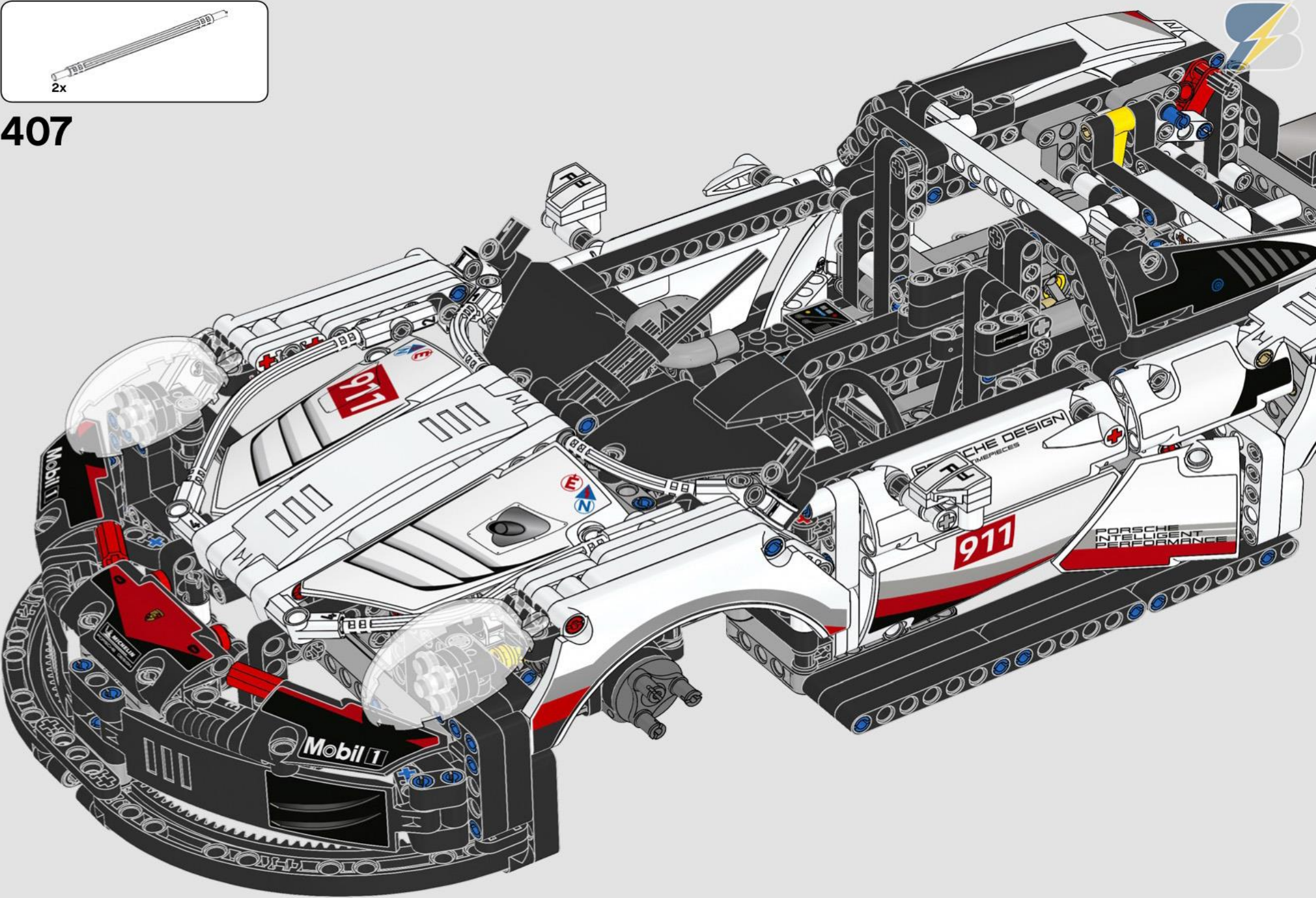


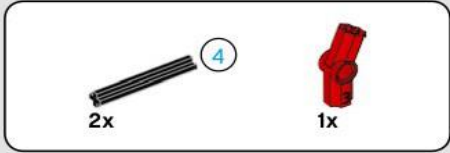
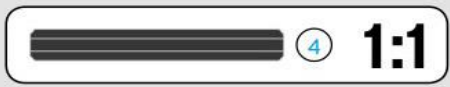
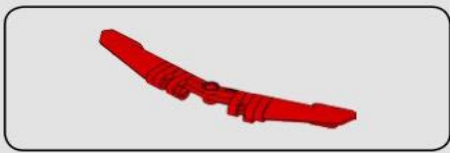
406



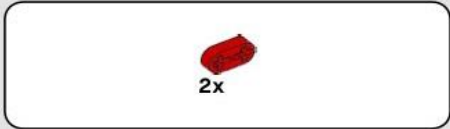
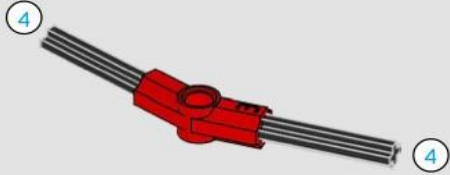


407

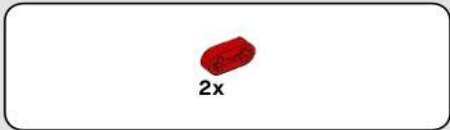
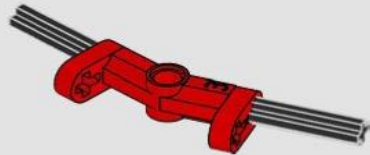




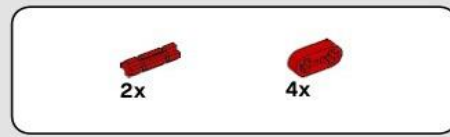
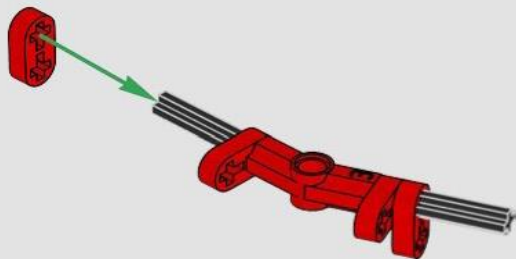
408



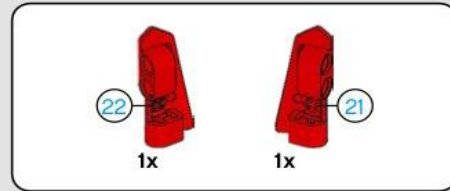
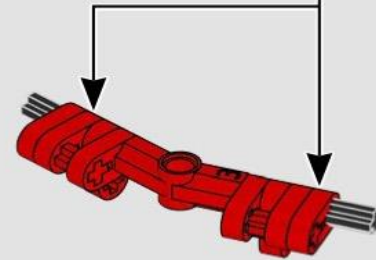
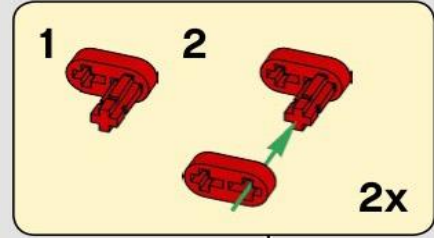
409



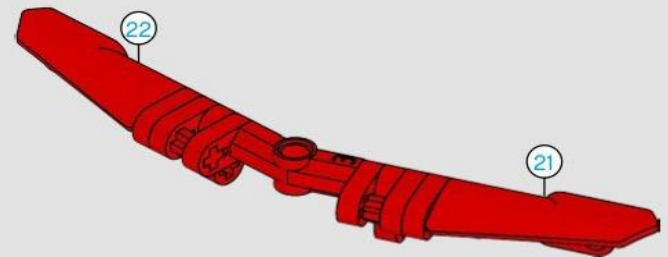
410



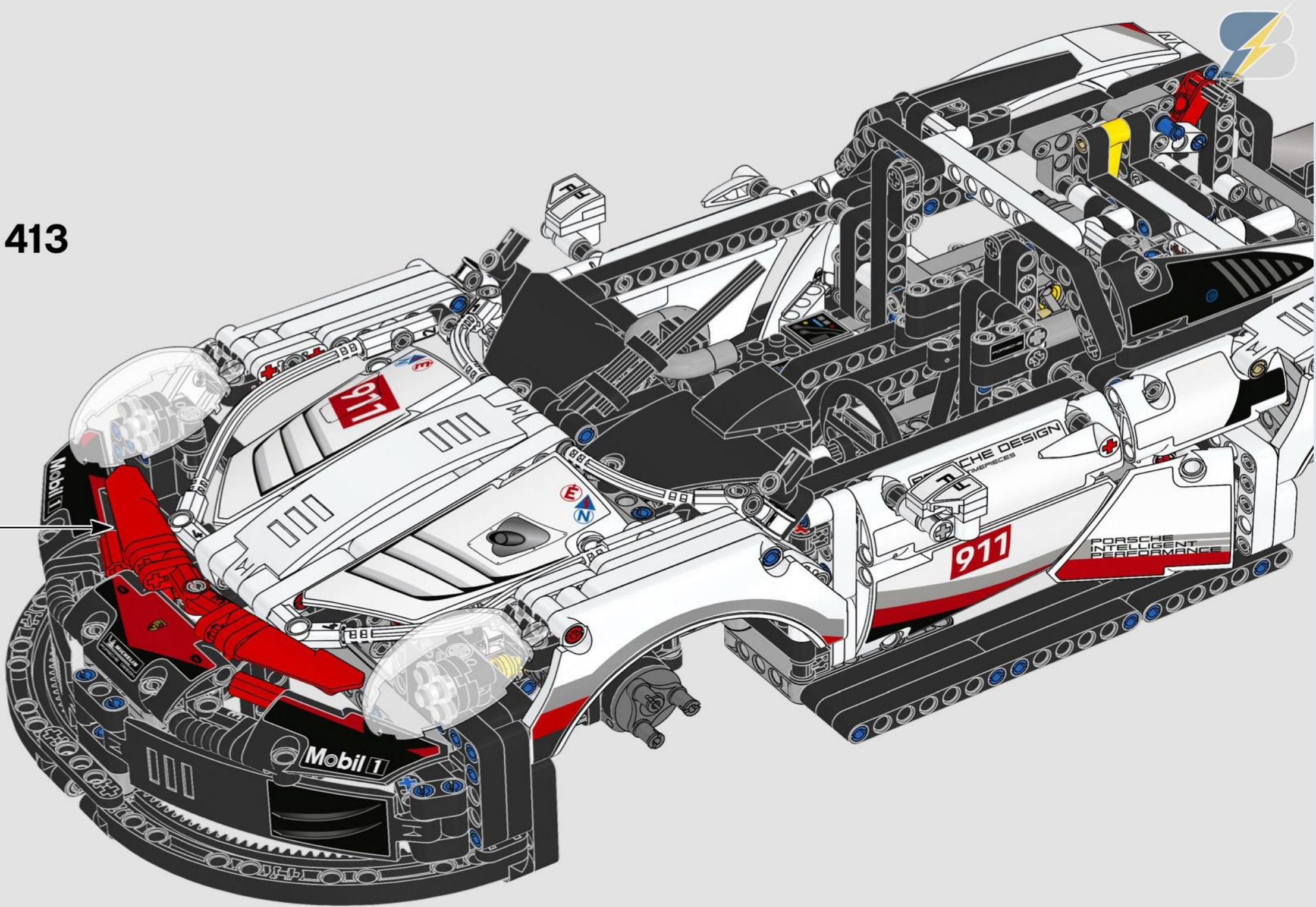
411

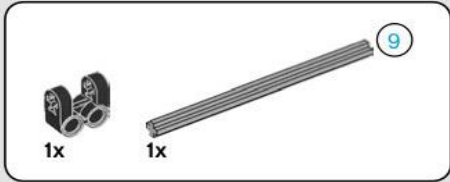
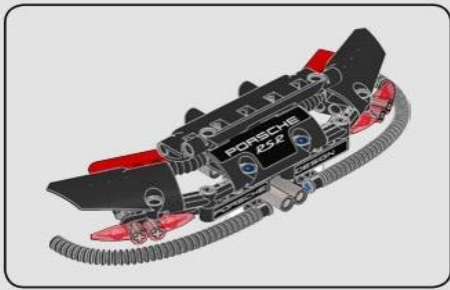


412

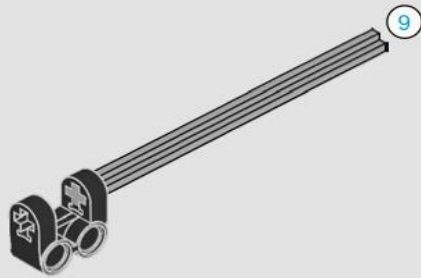


413

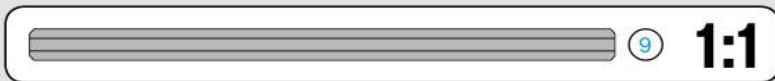
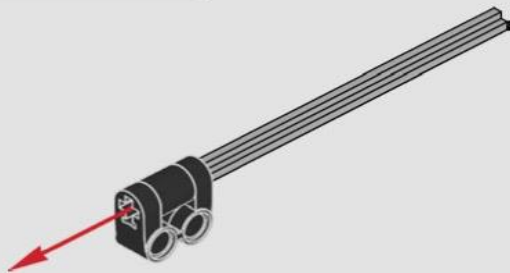




414



415



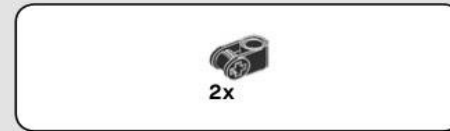
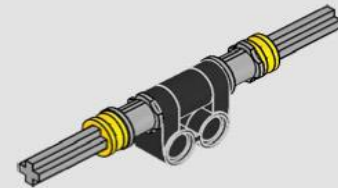
416



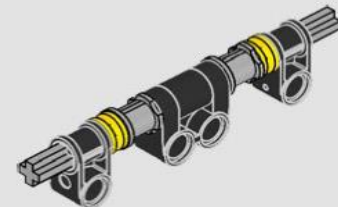
1:1



417

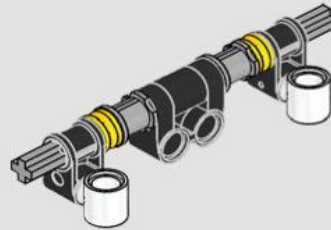


418

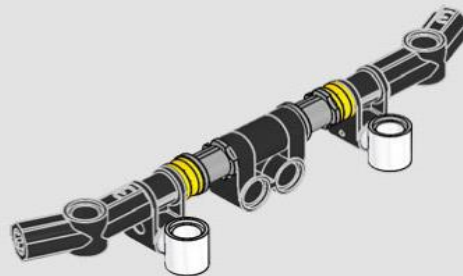


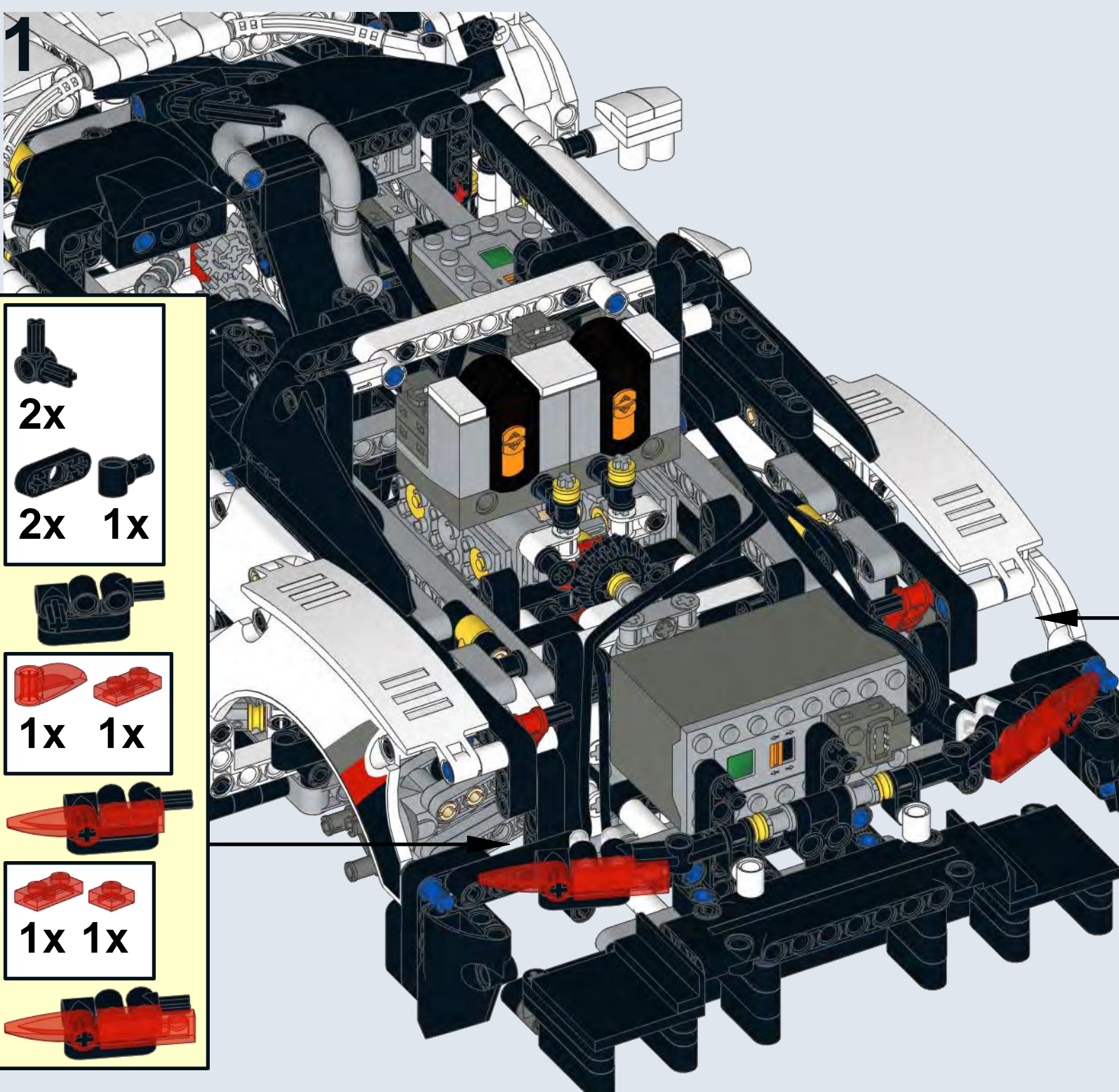


419



420





1

2x

2x 1x

2

1x 1x

3

1x 1x

1

2x 2x 1x

2

1x 1x

3

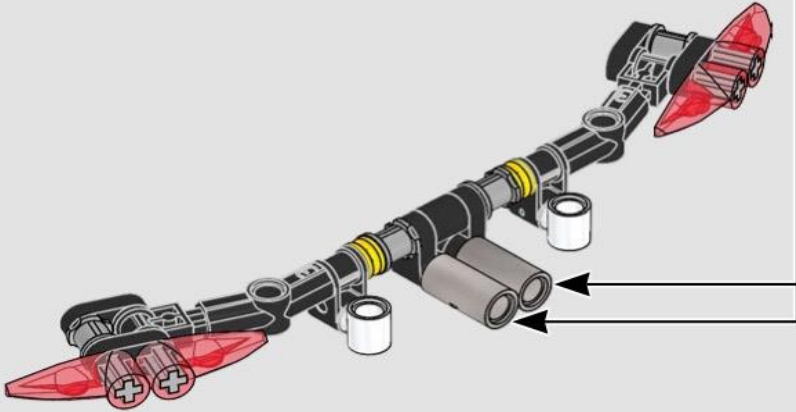
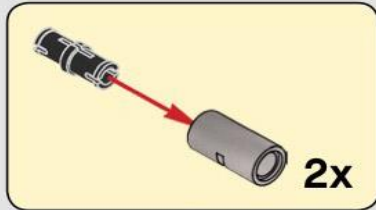
1x 1x



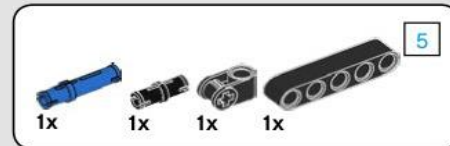
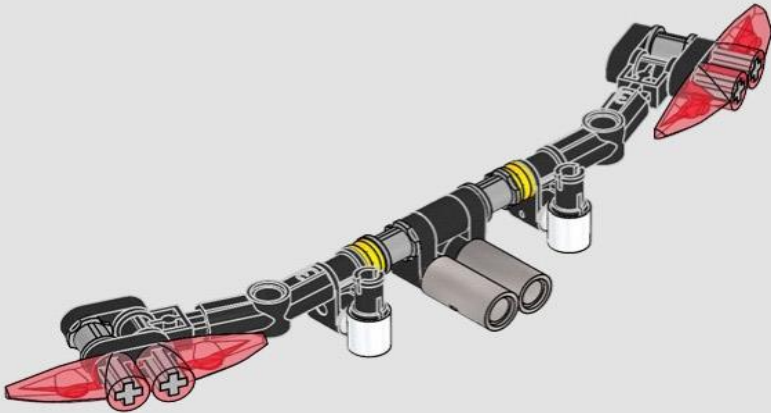
422-471
original steps



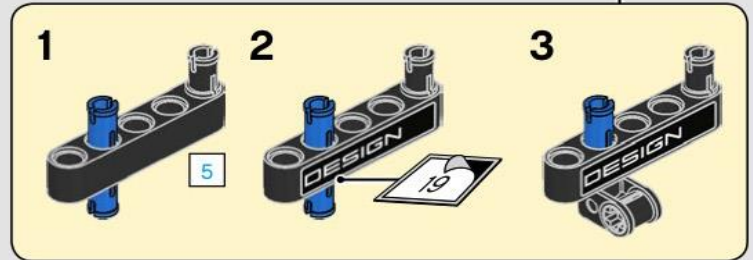
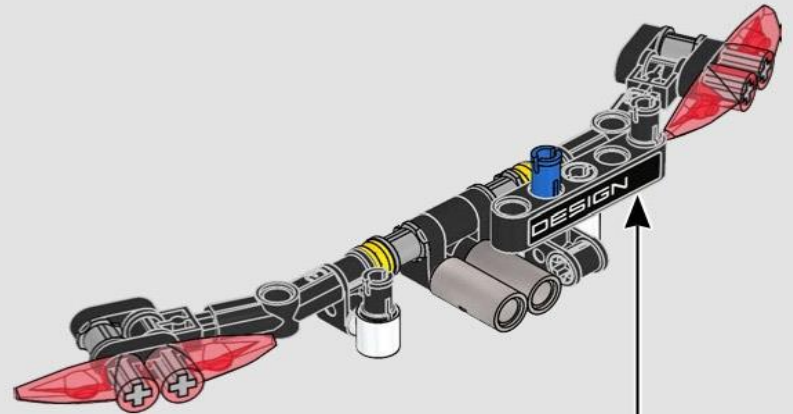
422

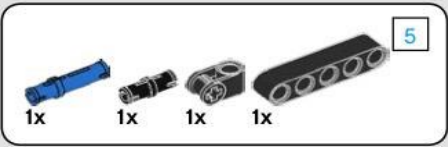


423

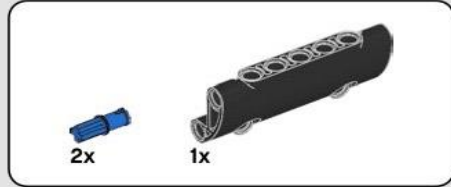
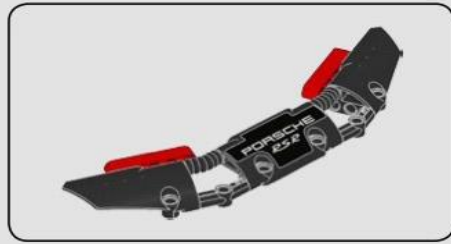
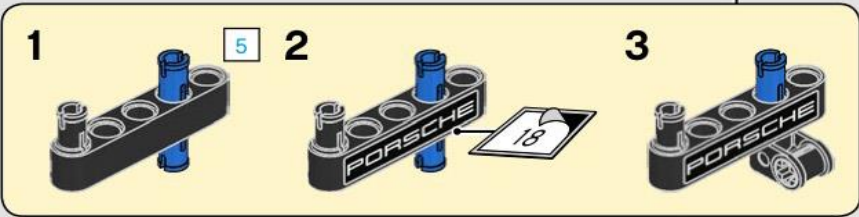
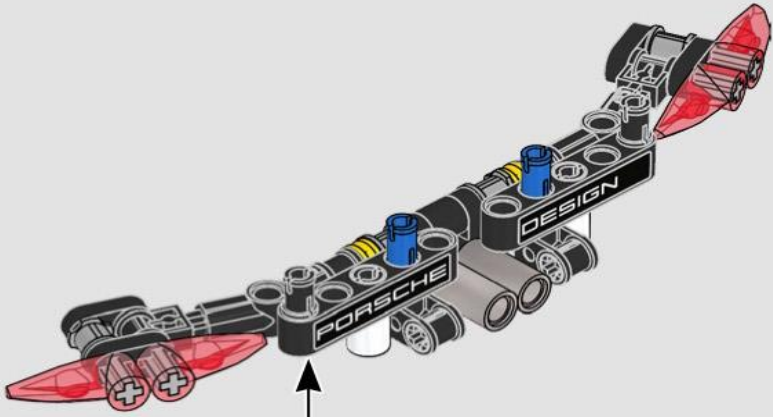


424

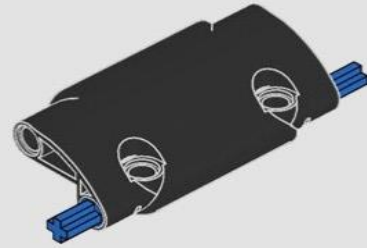




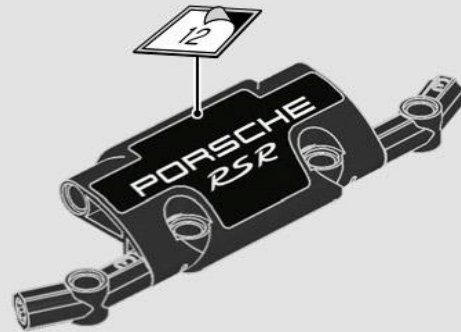
425

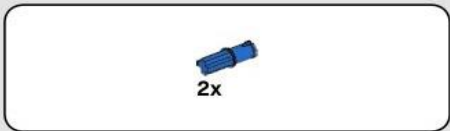


426



427

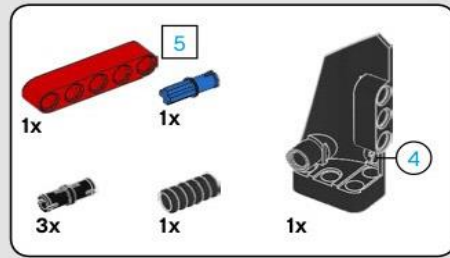
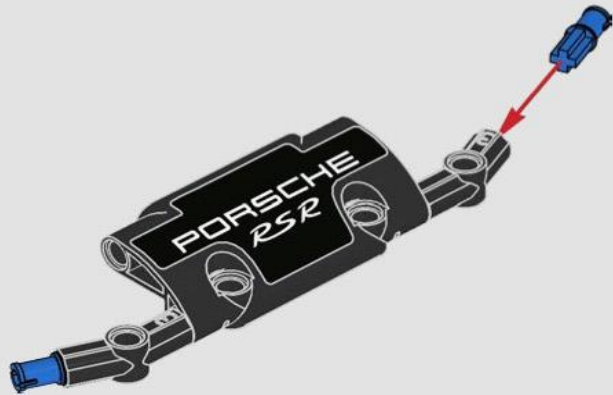




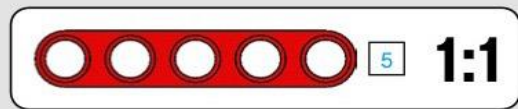
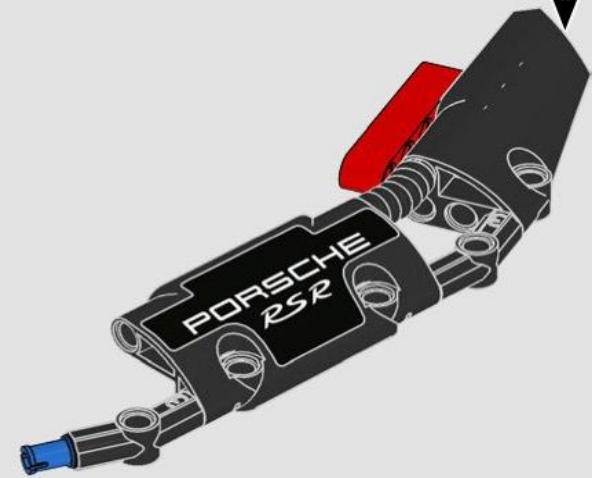
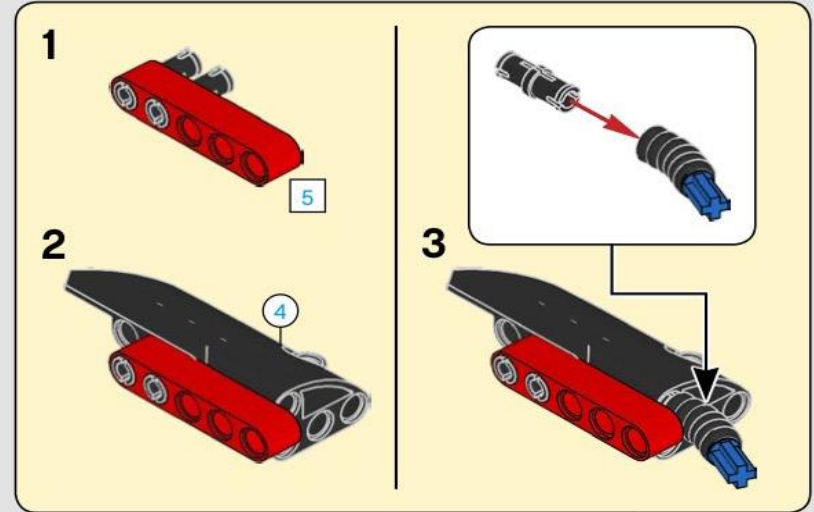
428

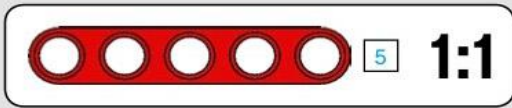
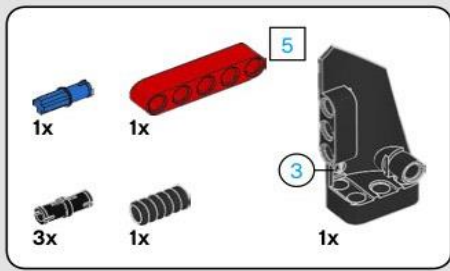


2x

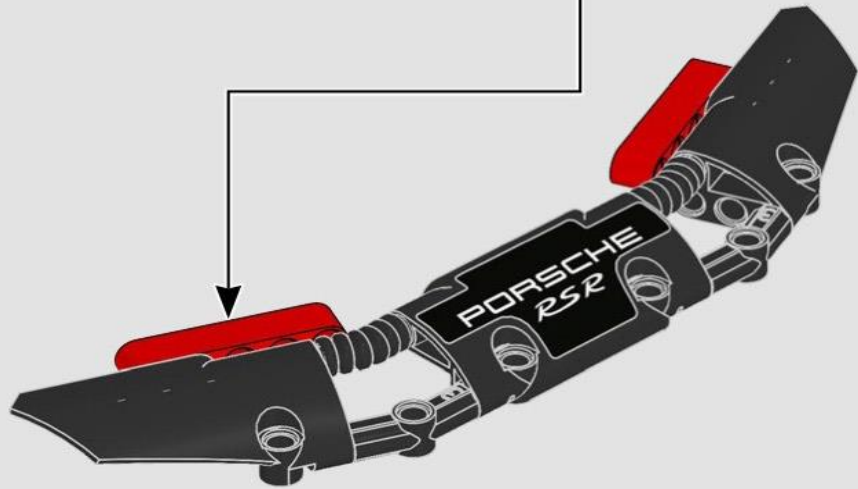
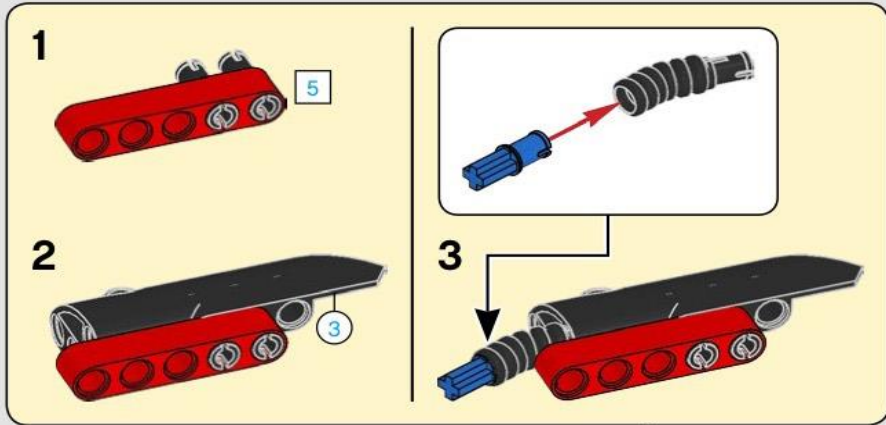


429

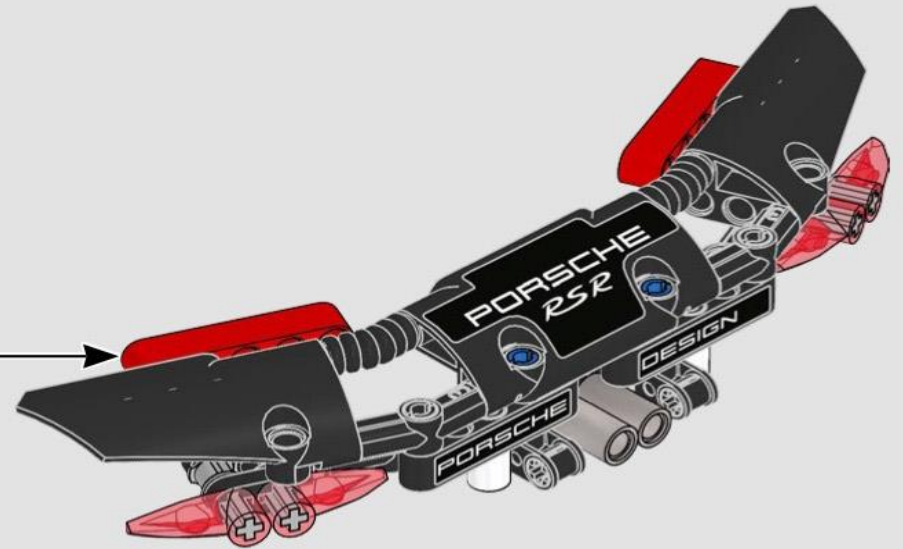


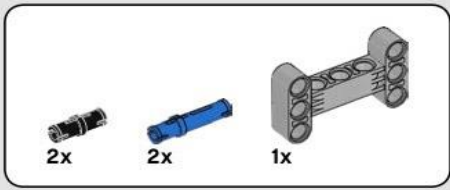


430

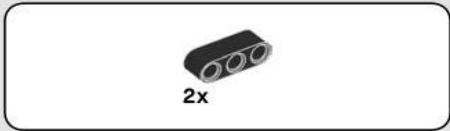
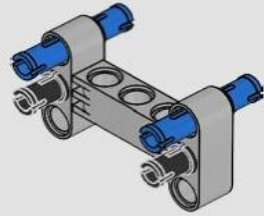


431

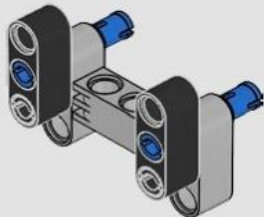




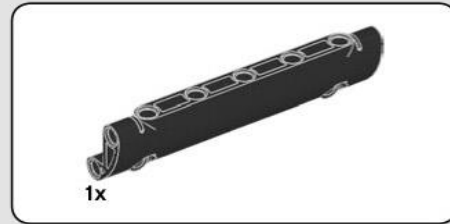
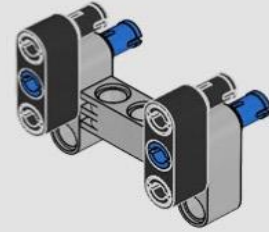
432



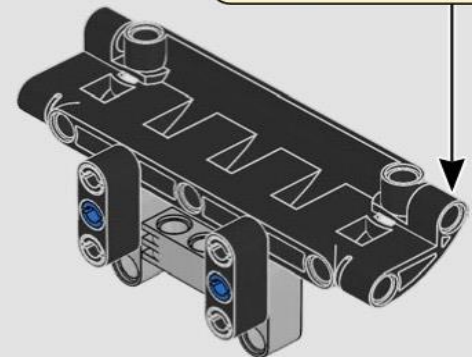
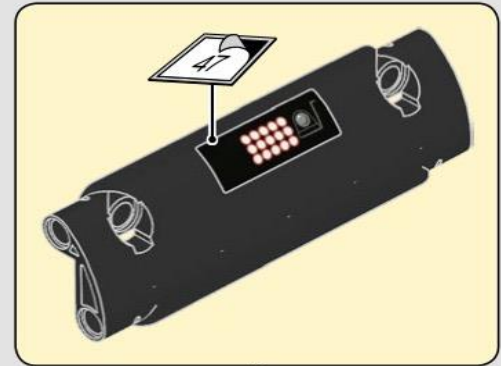
433



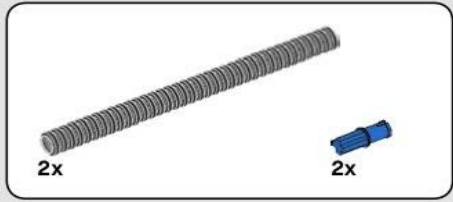
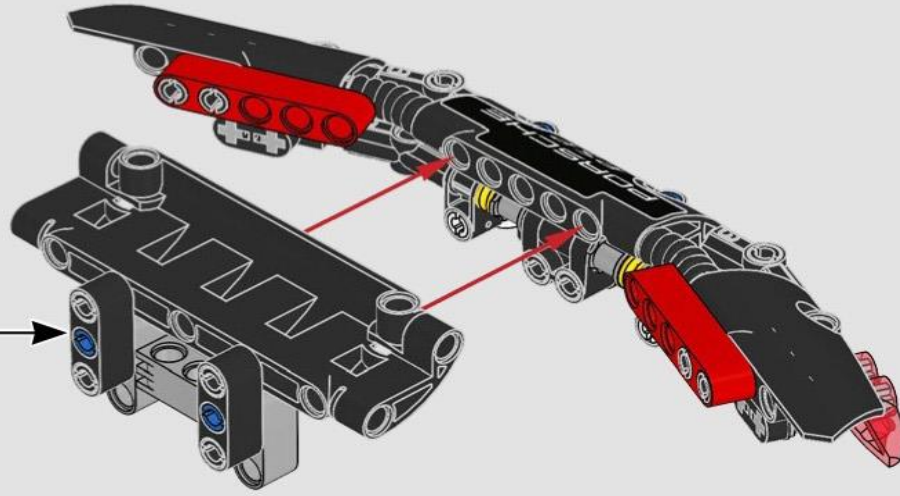
434



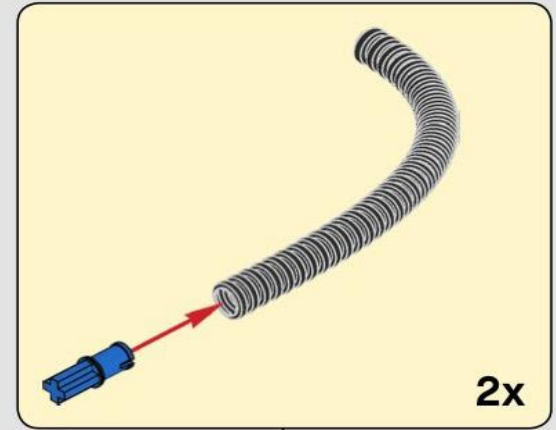
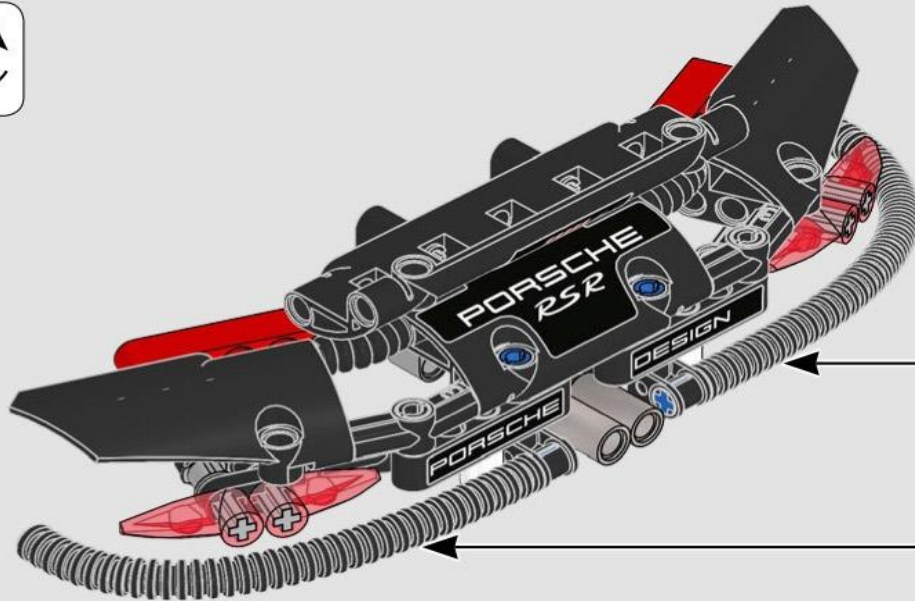
435



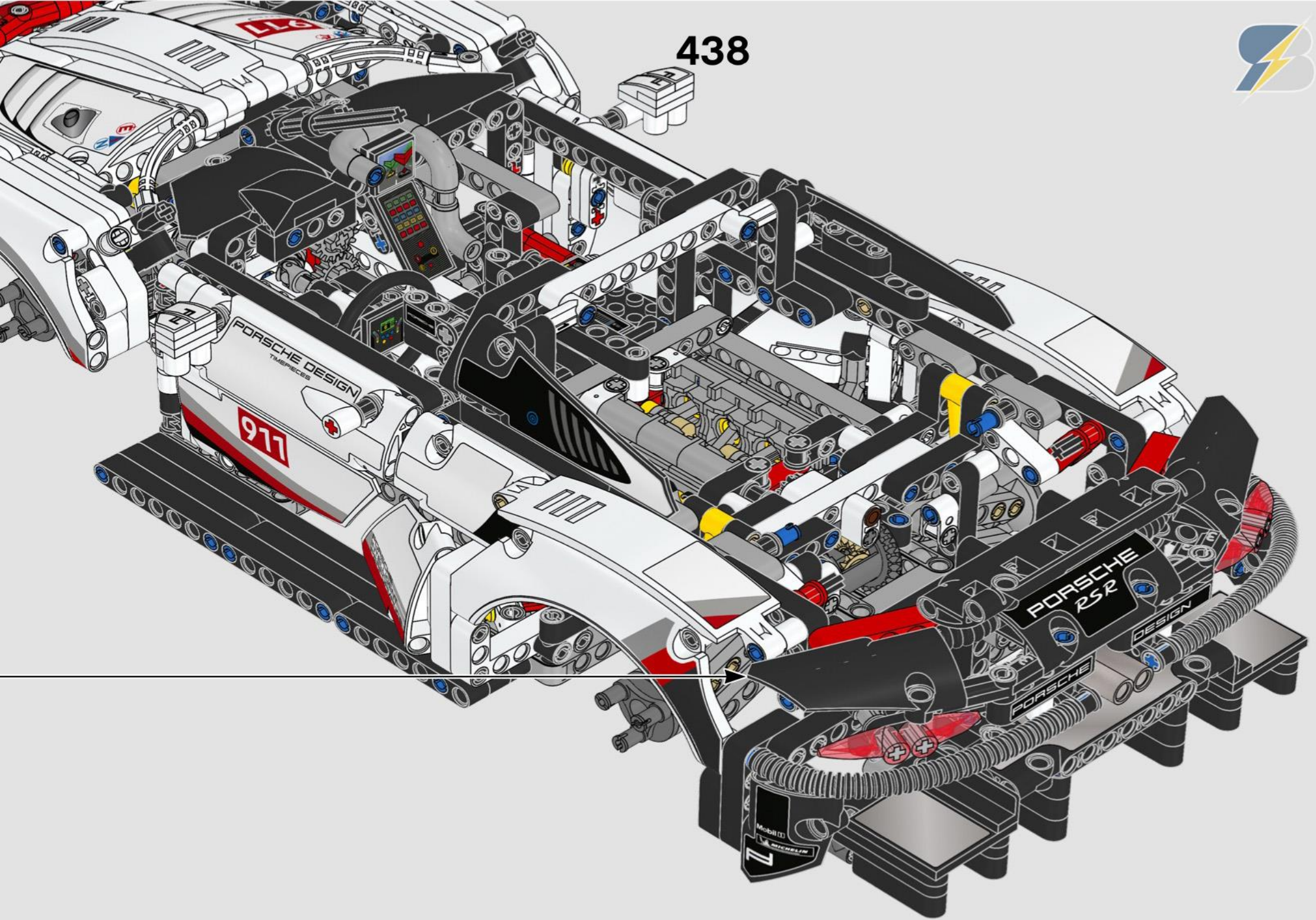
436

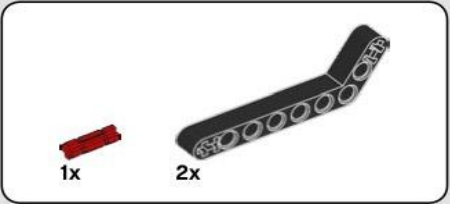


437

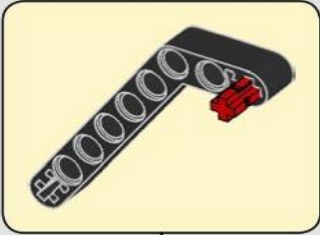
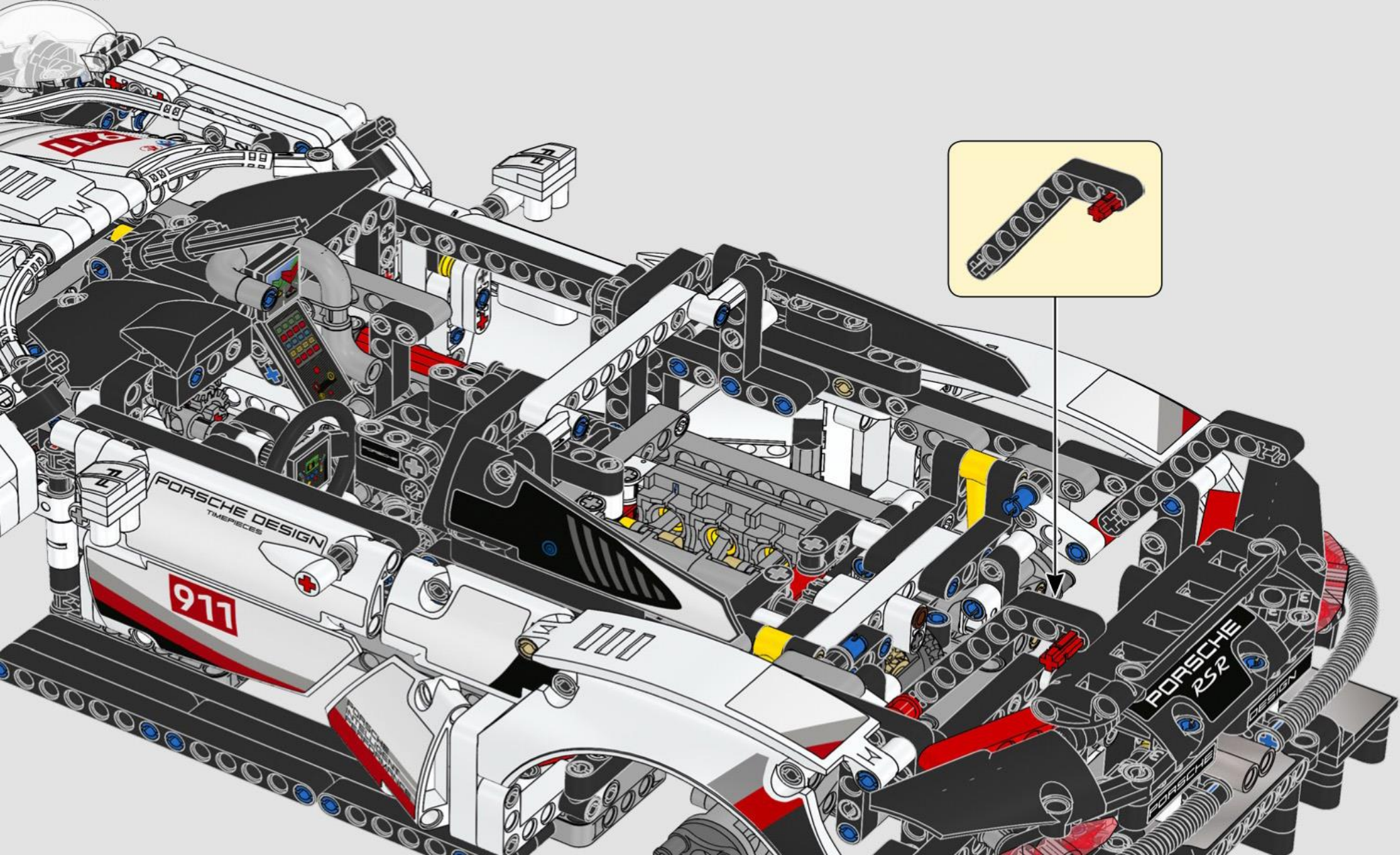


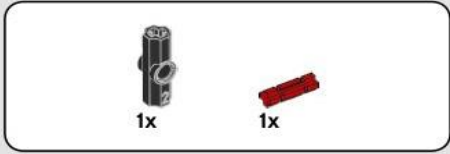
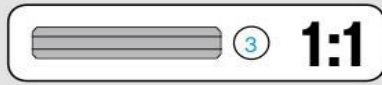
438



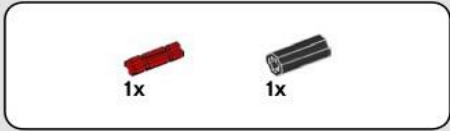
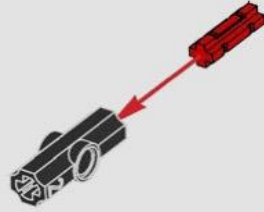


439

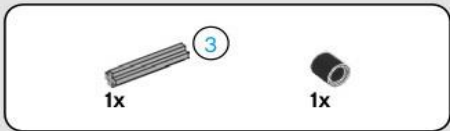
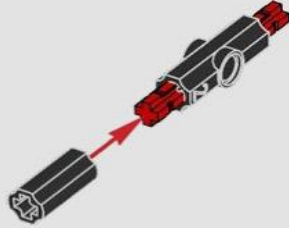




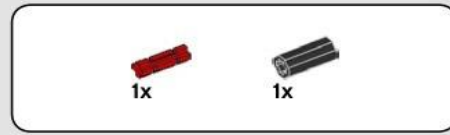
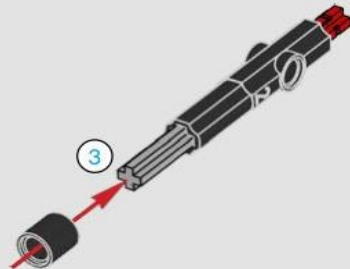
440



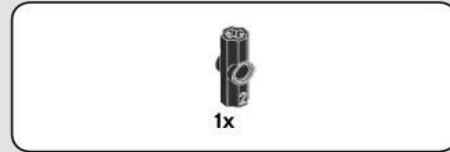
441



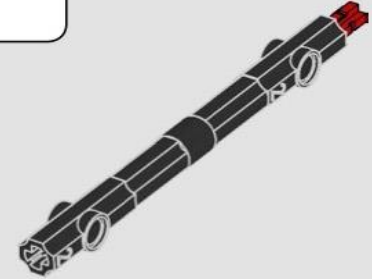
442



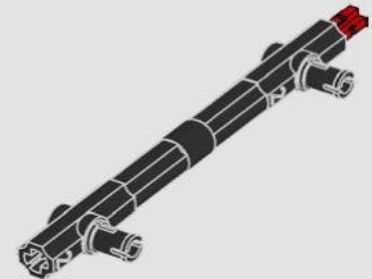
443

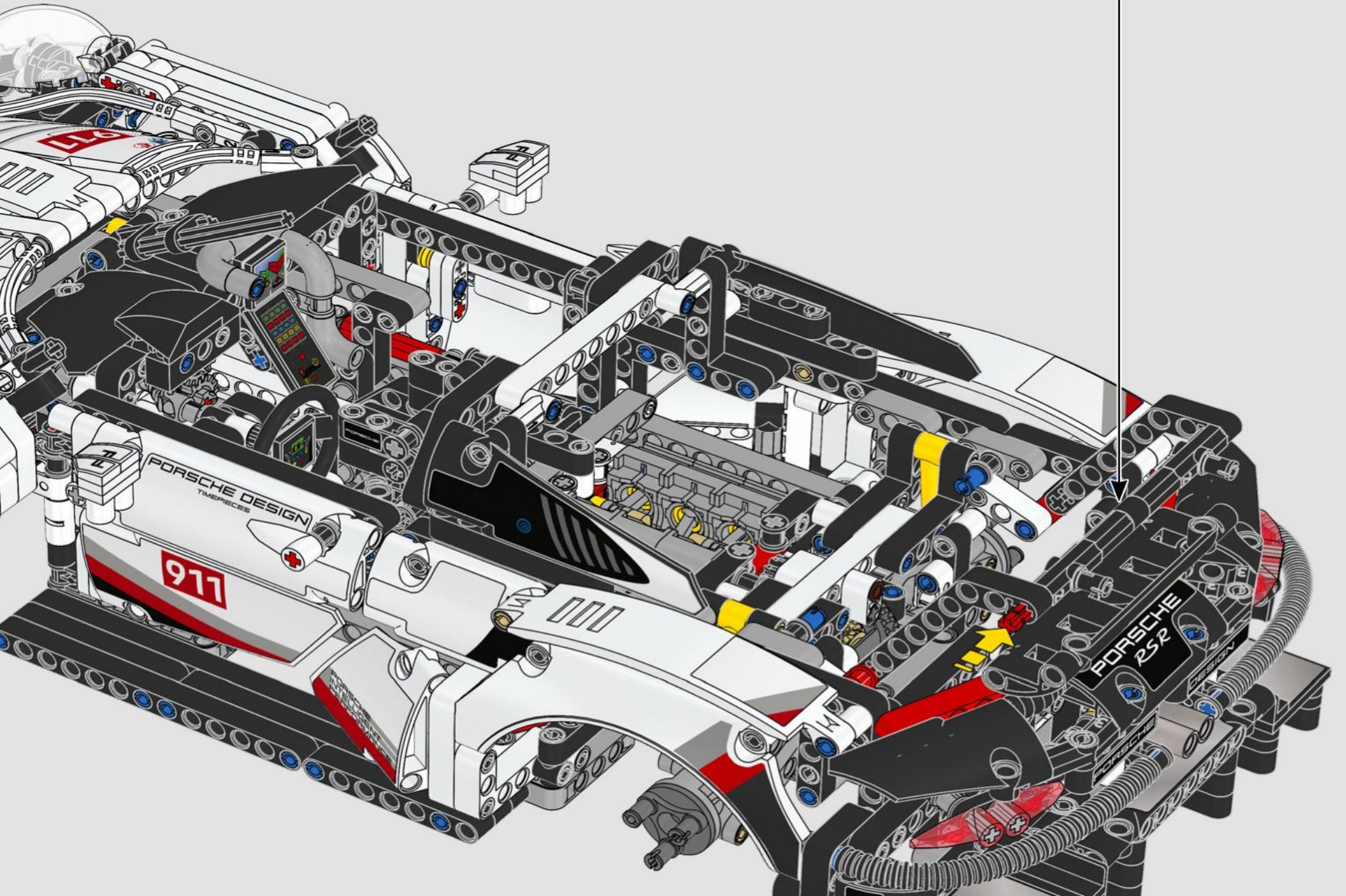


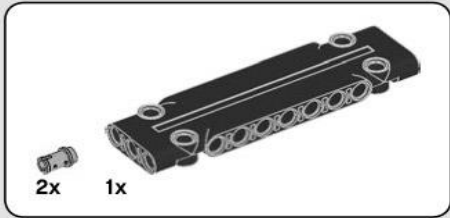
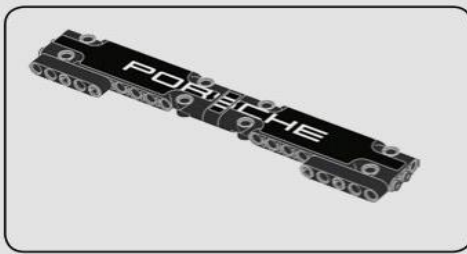
444



445



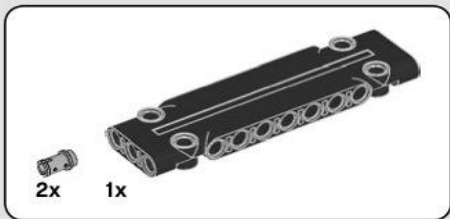




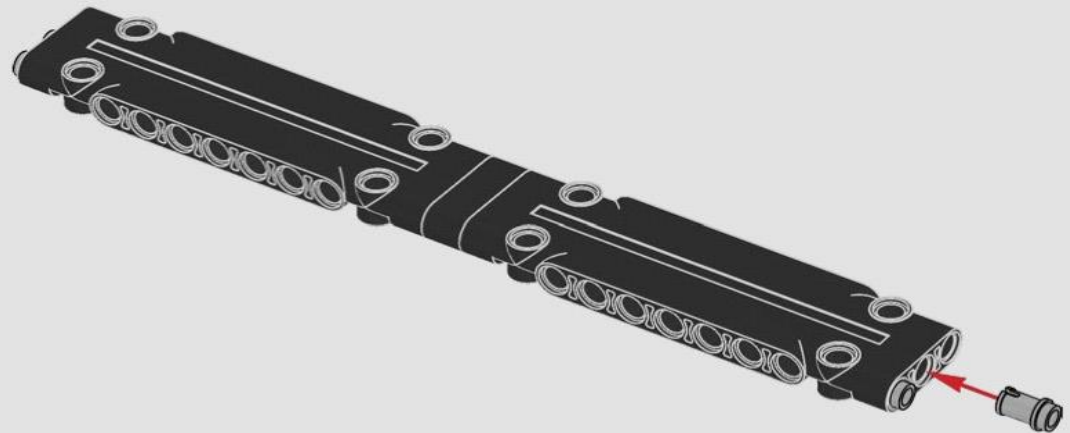
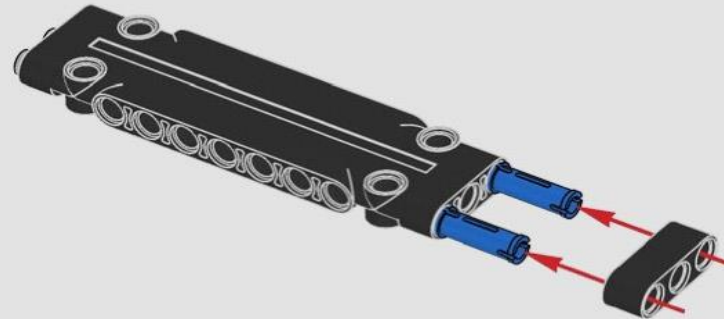
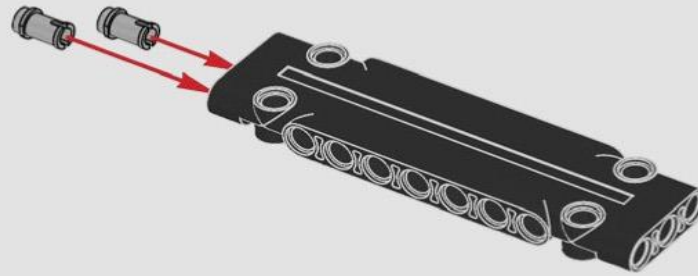
447



448



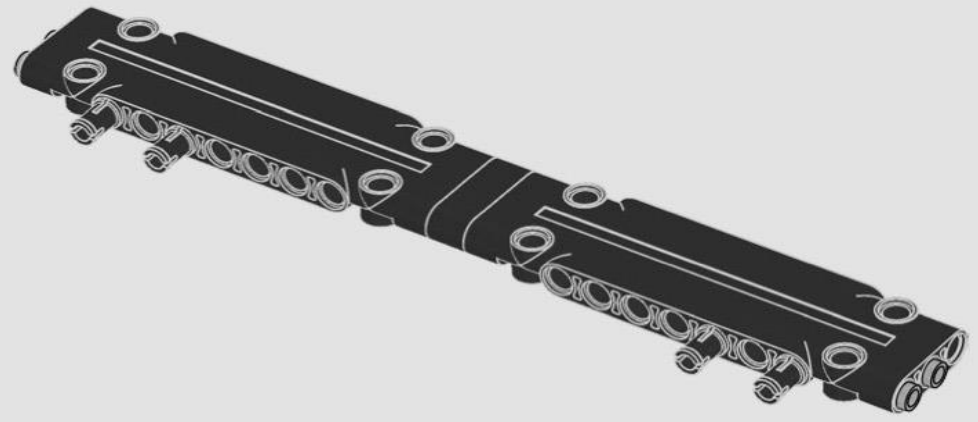
449





4x

450

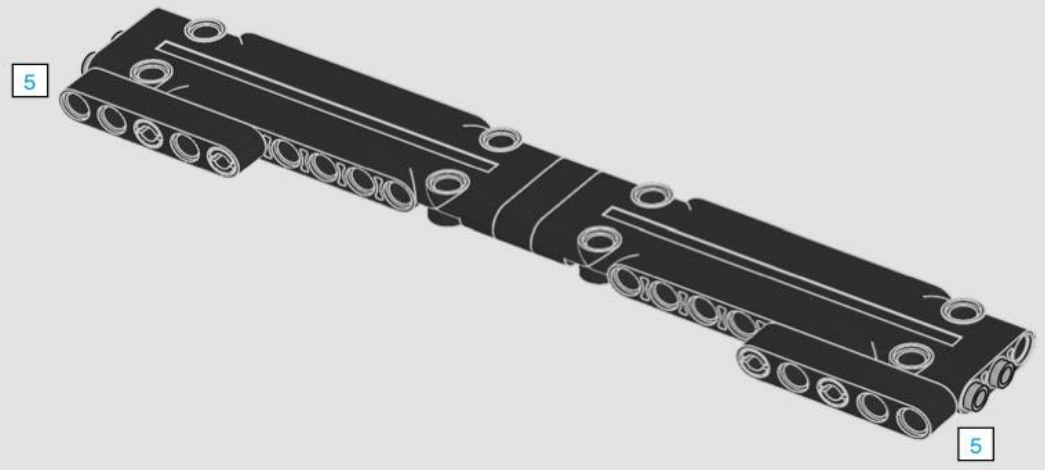


5

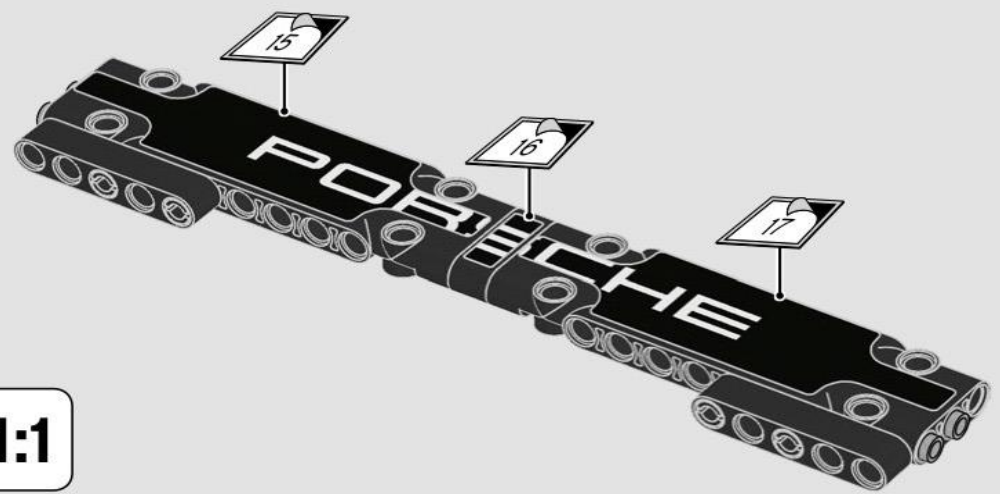


2x

451

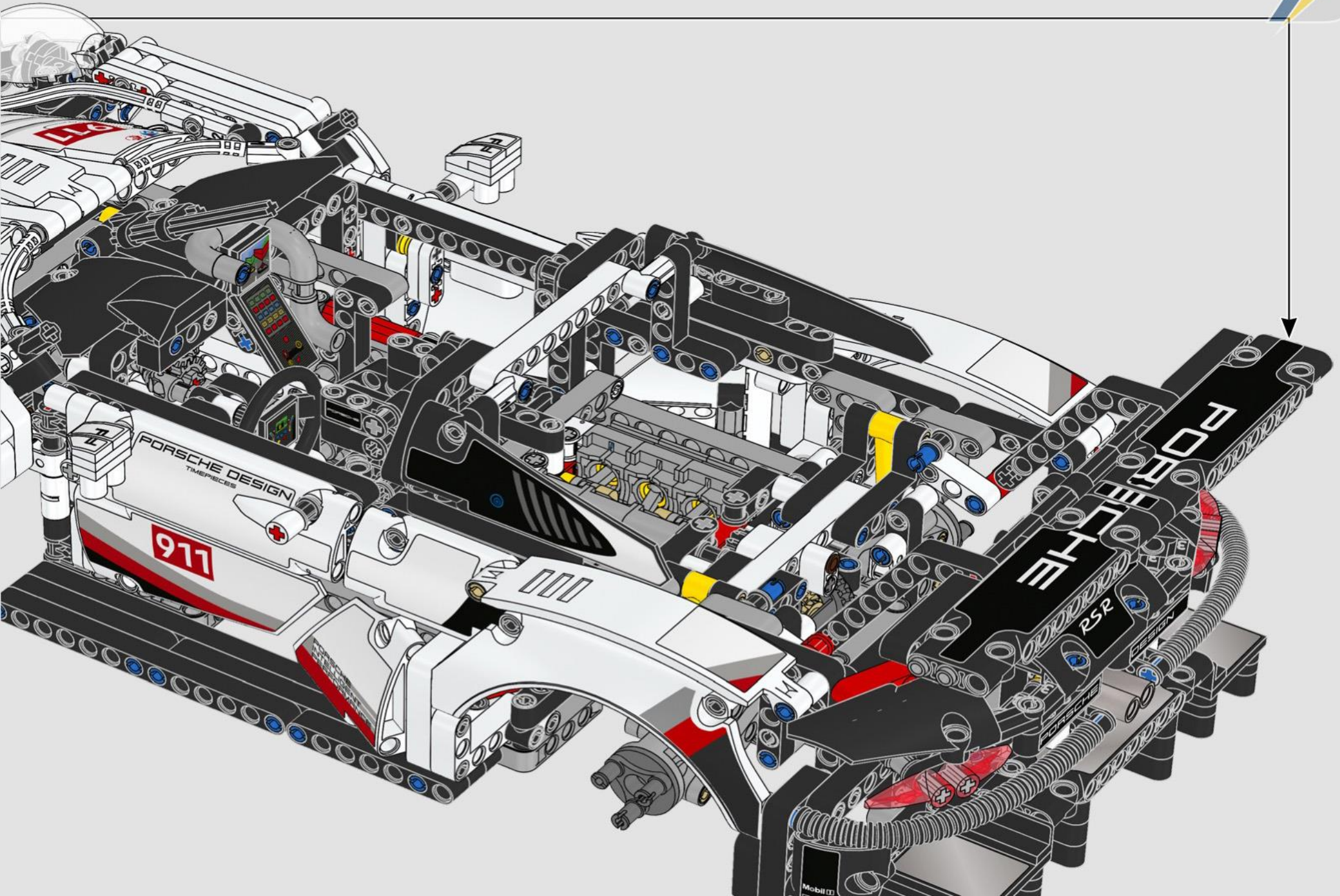


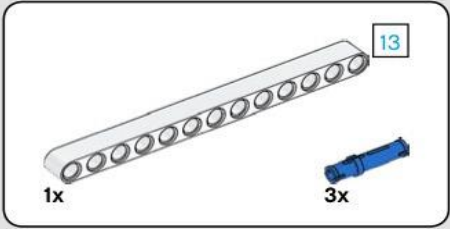
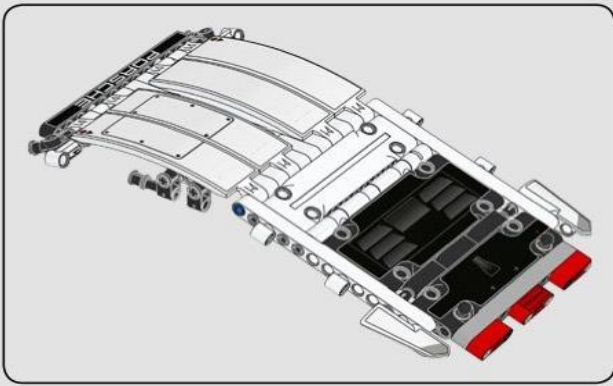
452



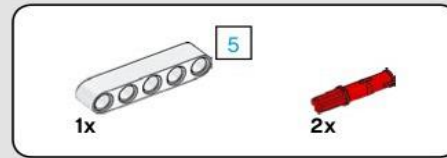
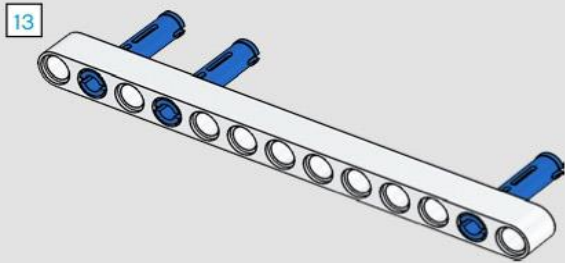
5

1:1

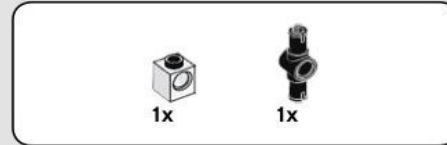
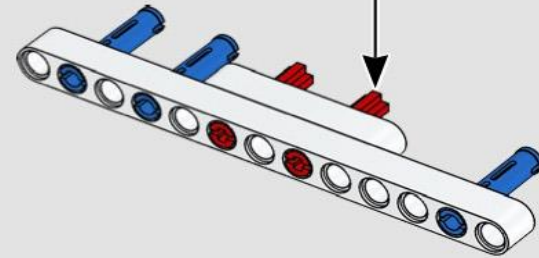
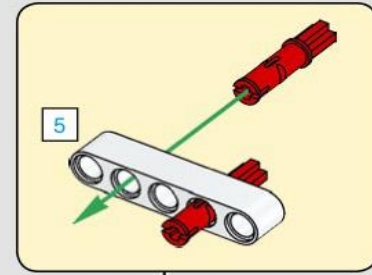




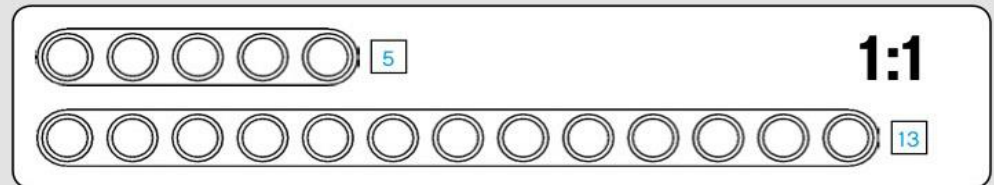
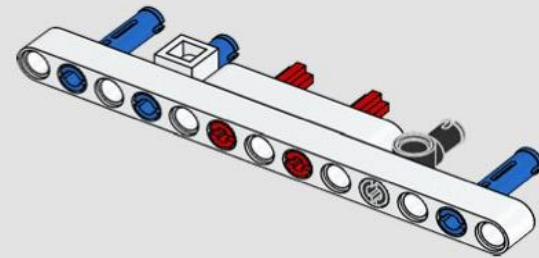
454



455

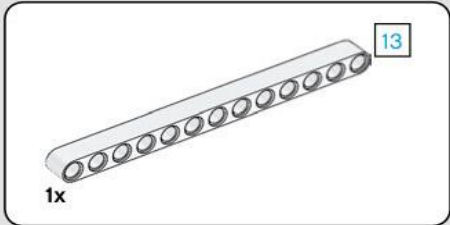
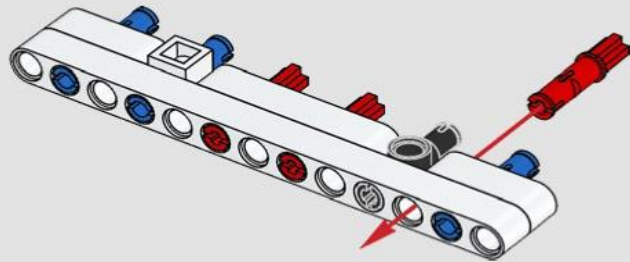


456

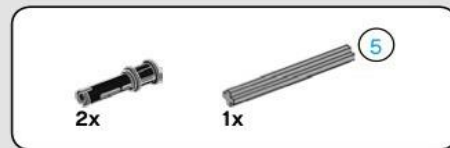
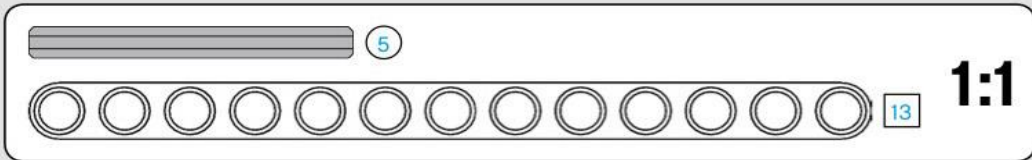
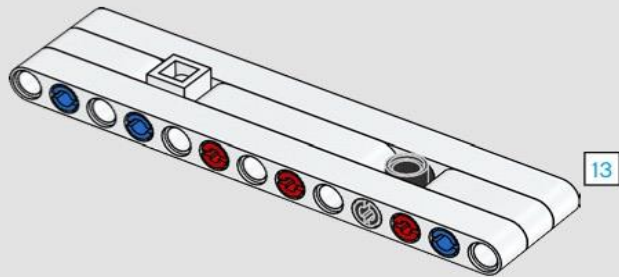




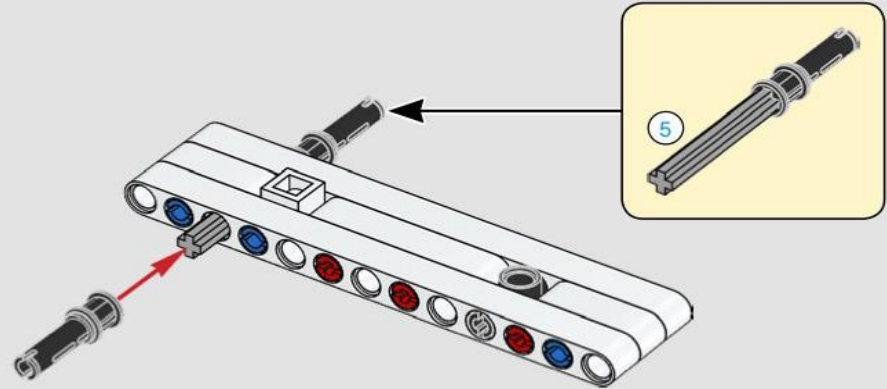
457



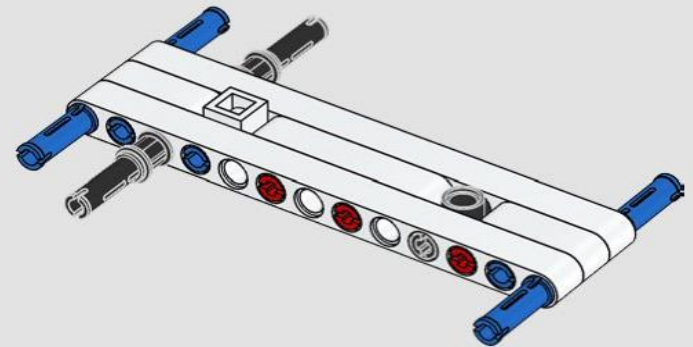
458

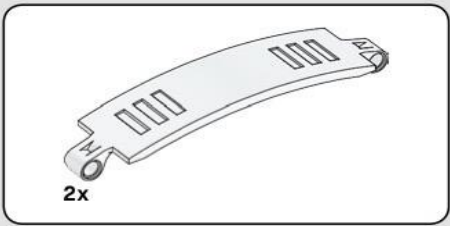


459

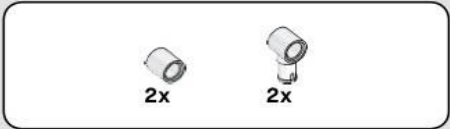
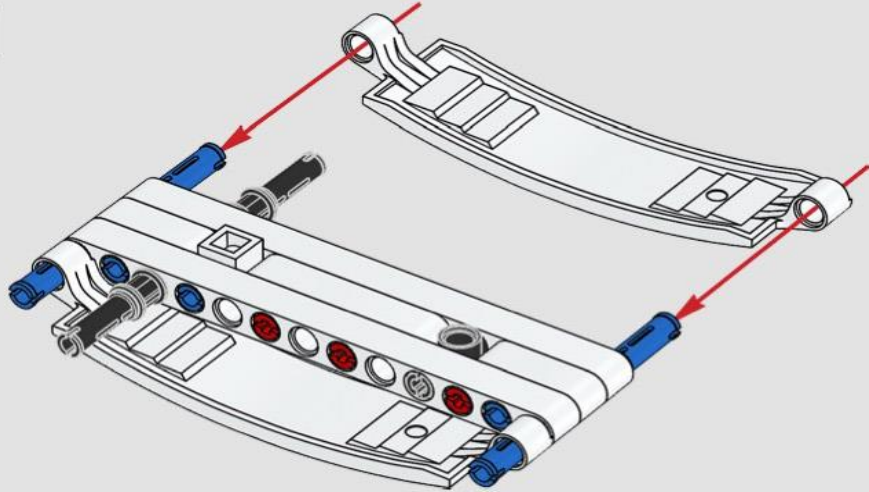


460

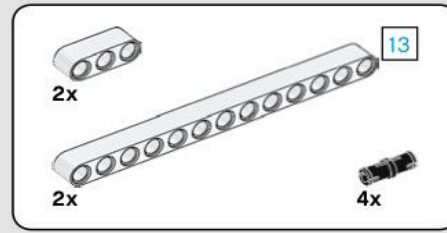
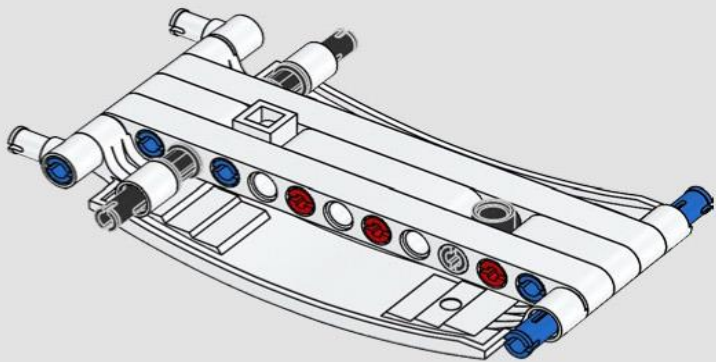




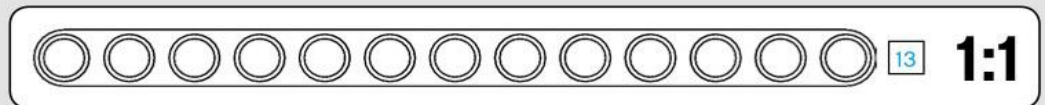
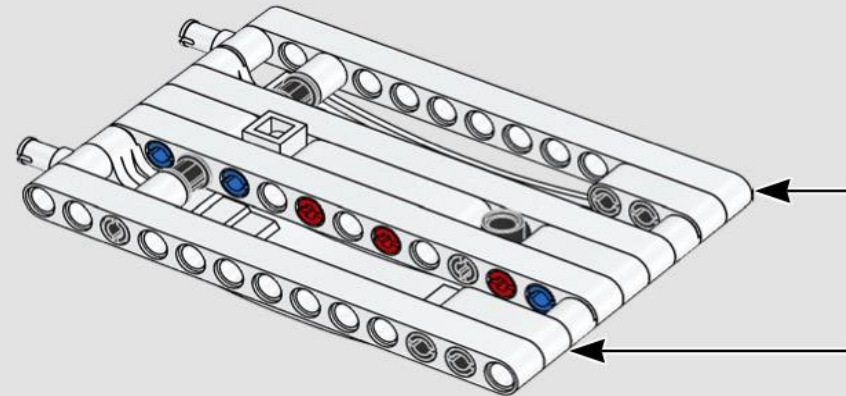
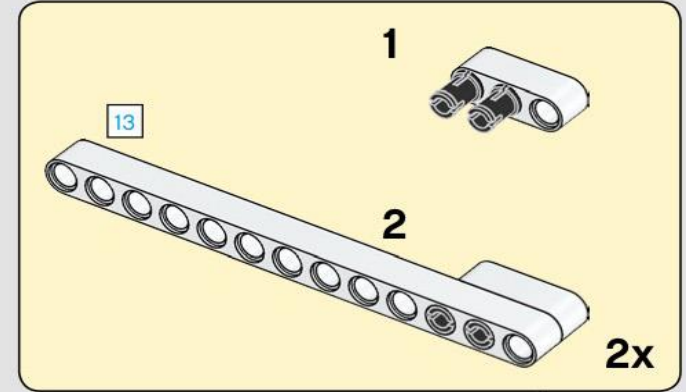
461



462

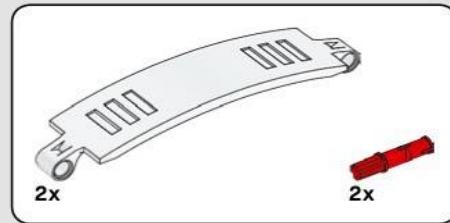
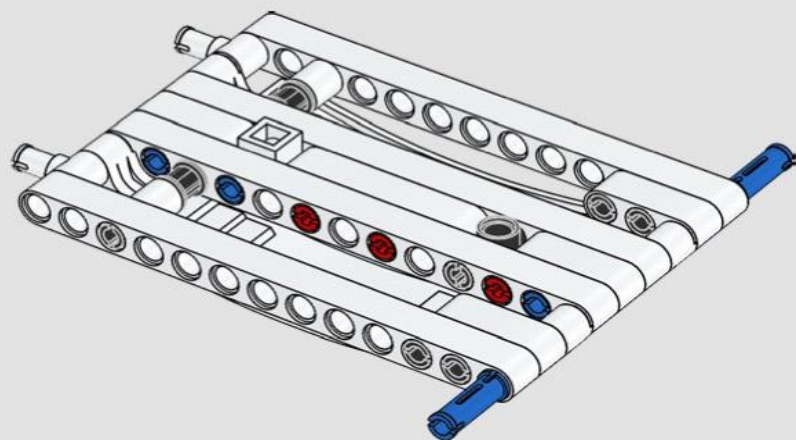


463

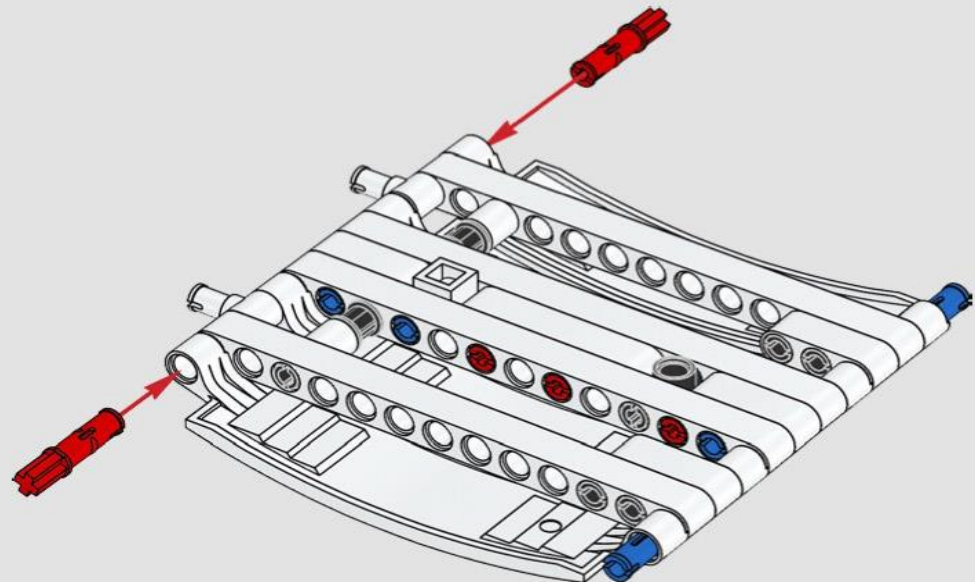


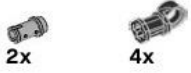


464



465

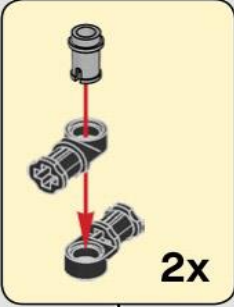




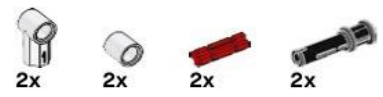
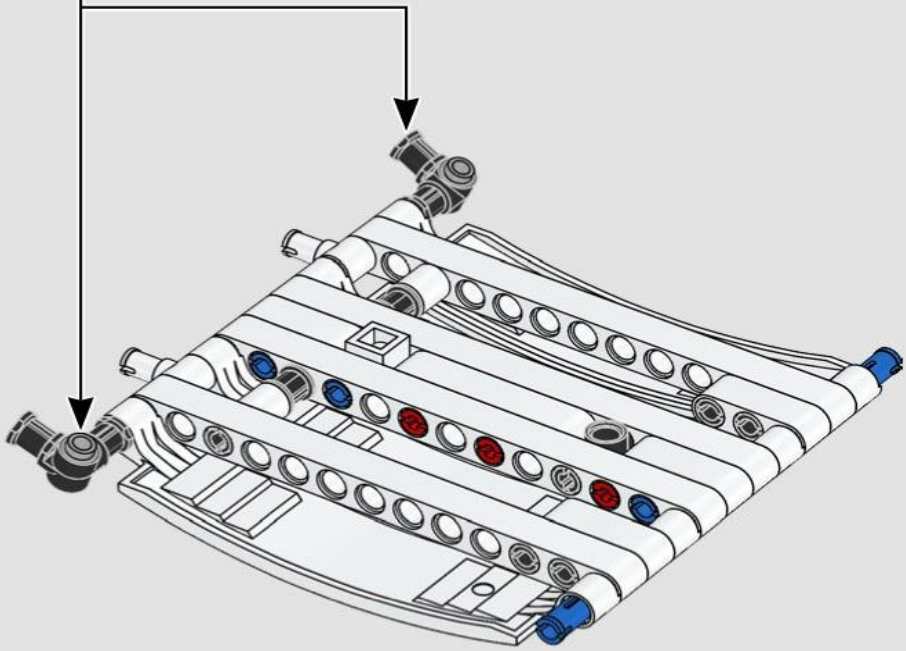
2x

4x

466



2x



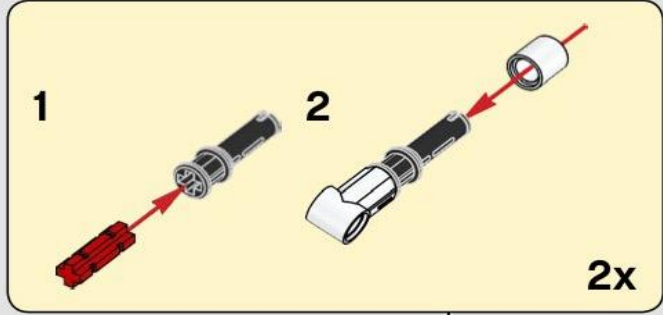
2x

2x

2x

2x

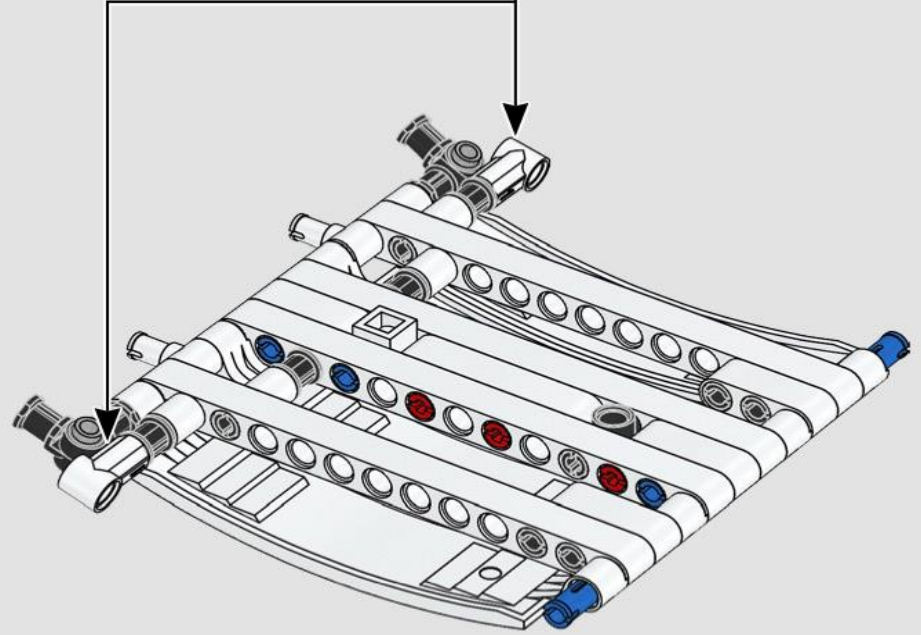
467

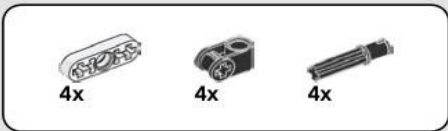


1

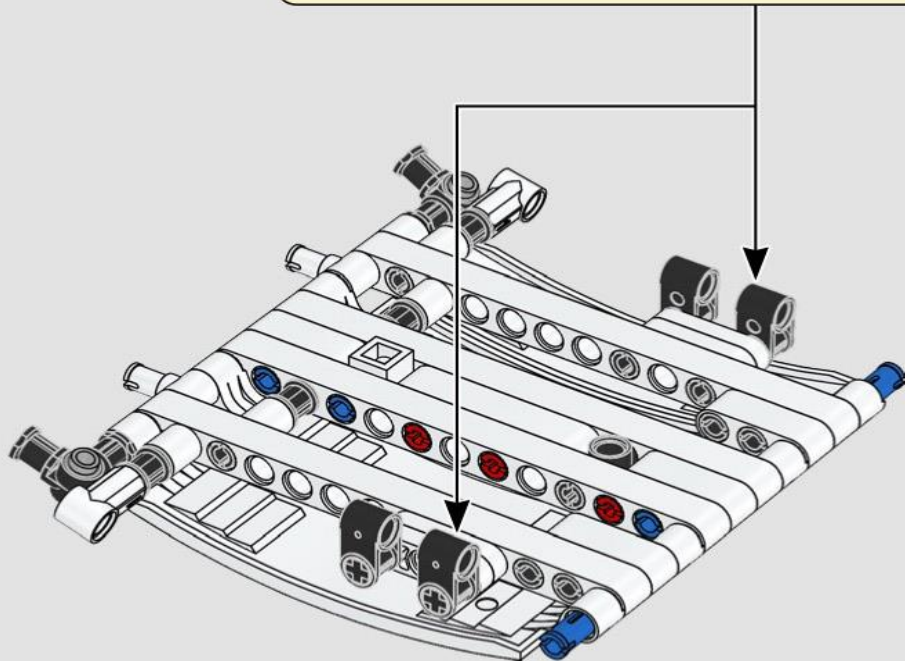
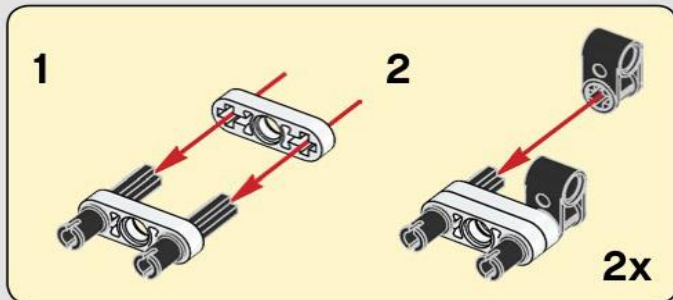
2

2x

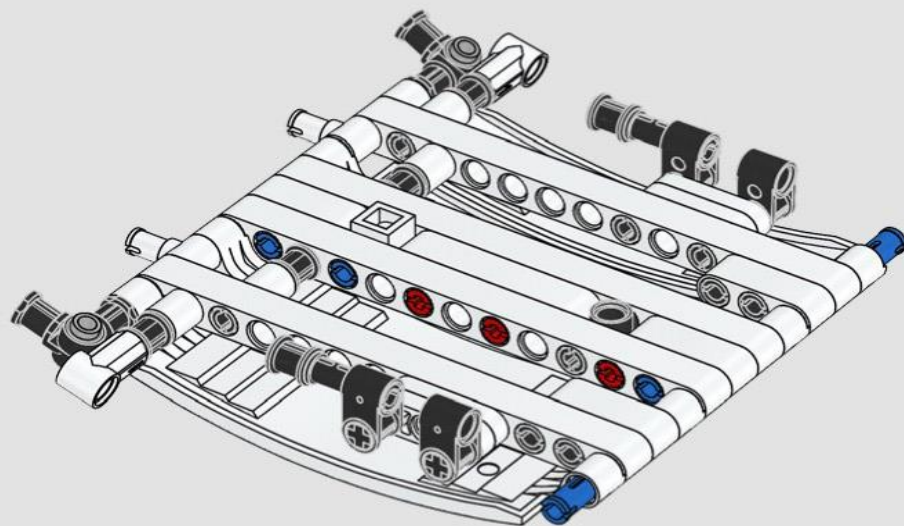


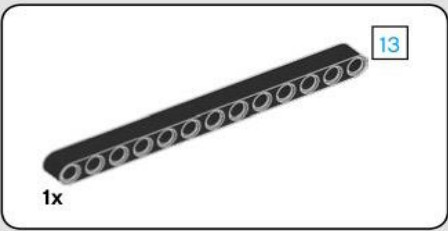


468

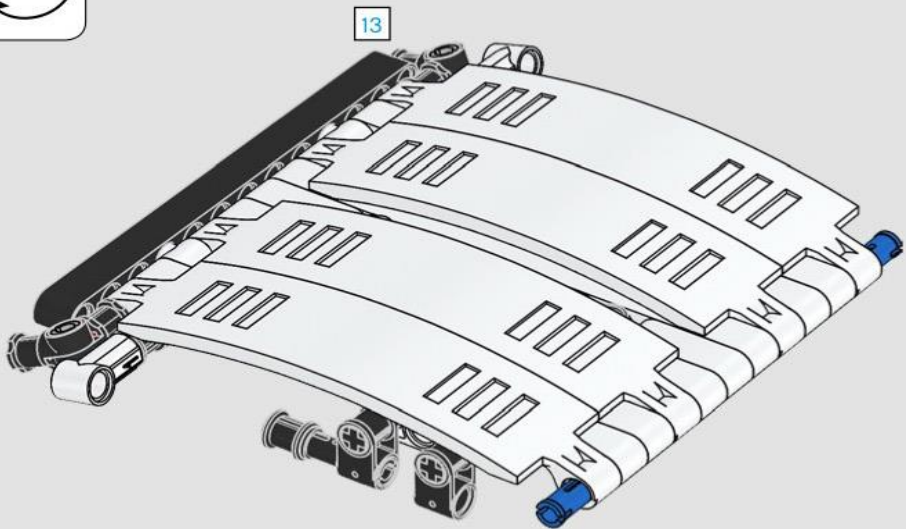


469

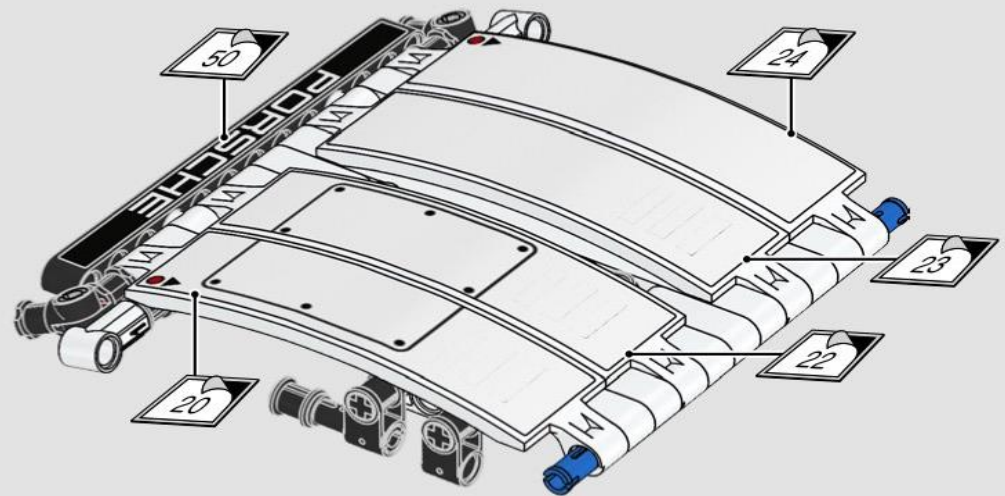




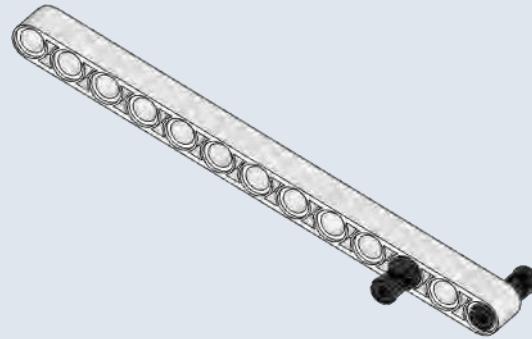
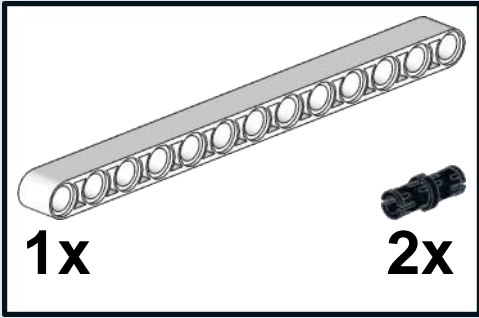
470



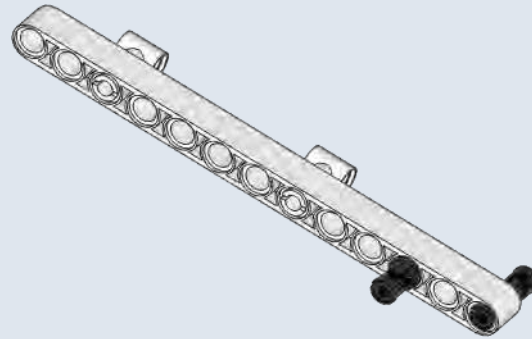
471



472

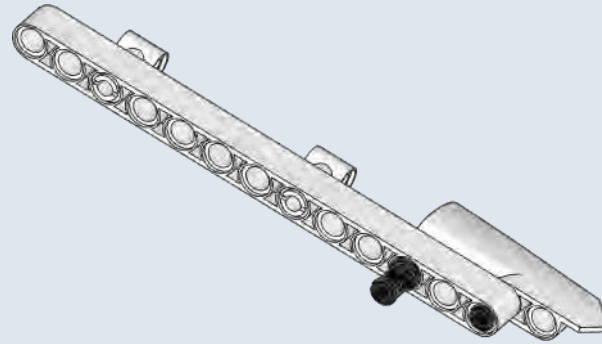
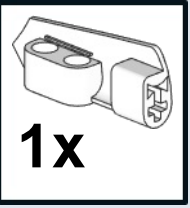


473




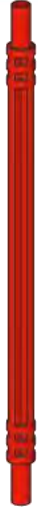




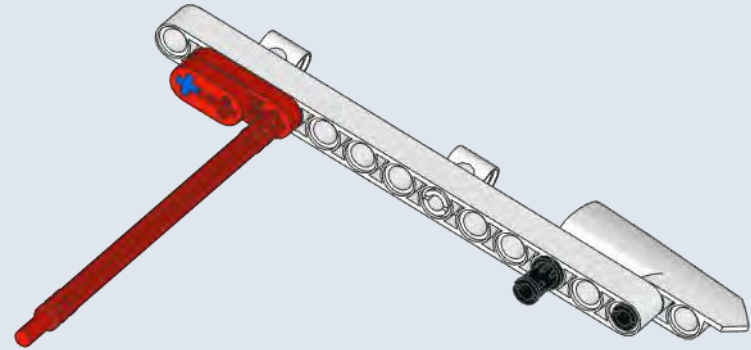
474





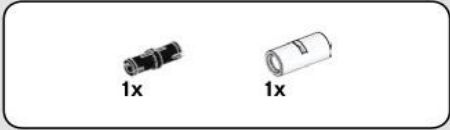
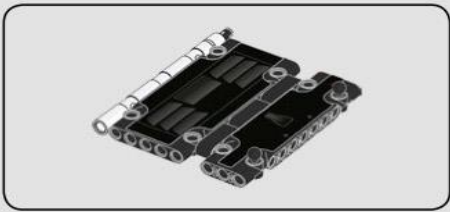
475

	
1x	
	
1x	
	
1x	1x

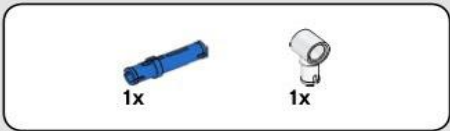




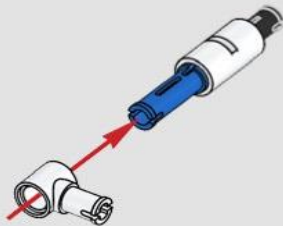
476-489
original steps



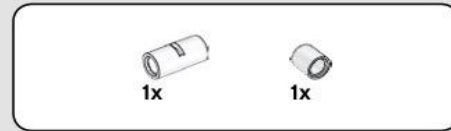
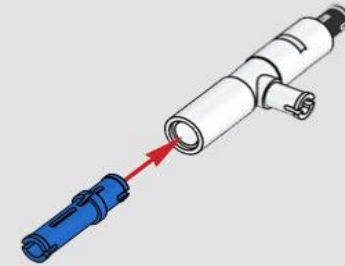
476



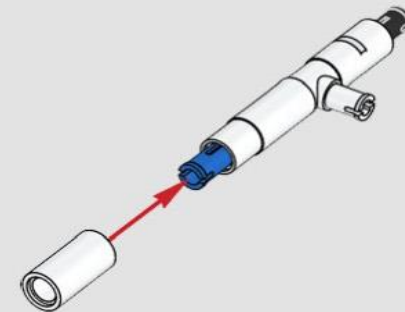
477

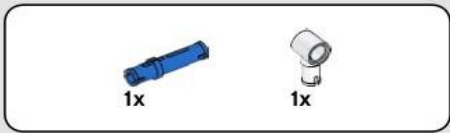


478

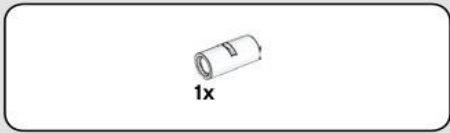
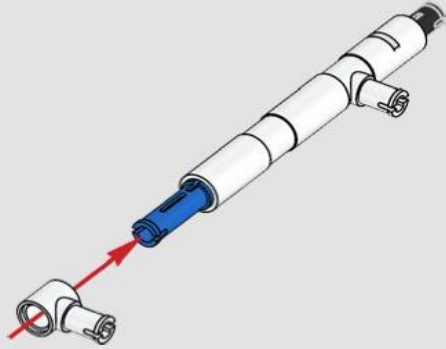


479

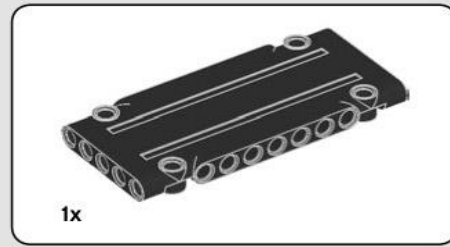
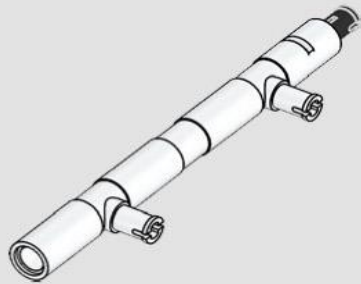




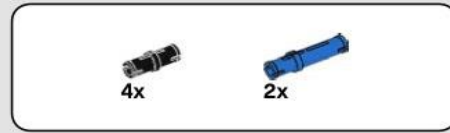
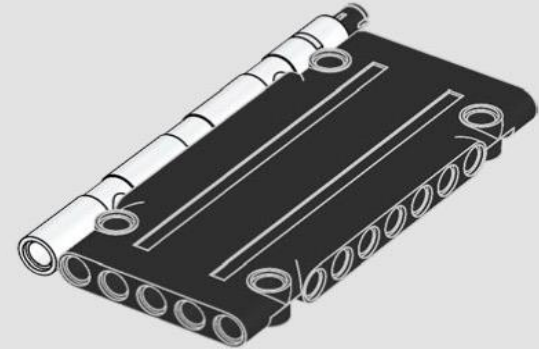
480



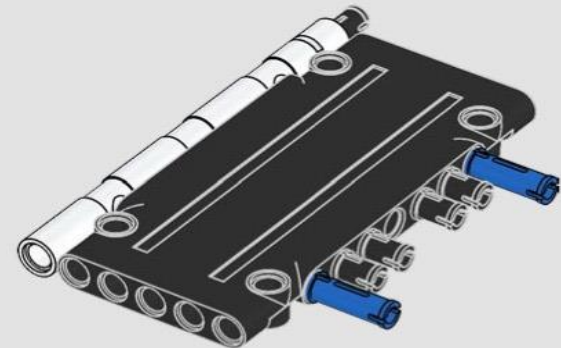
481

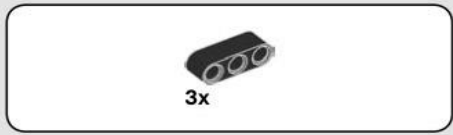


482

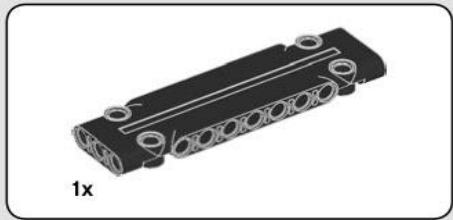
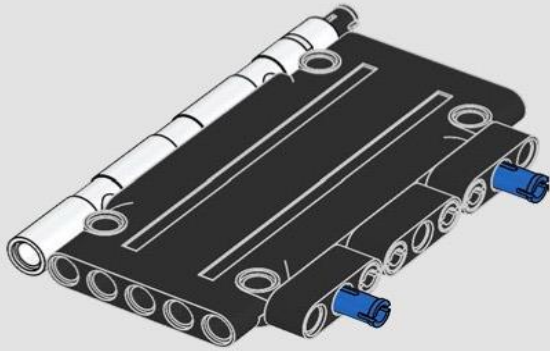


483

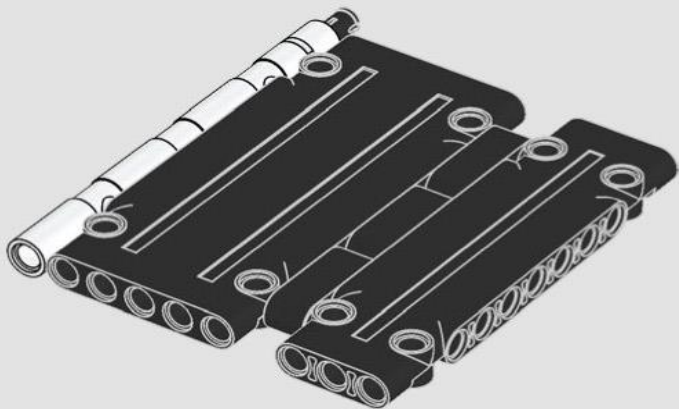




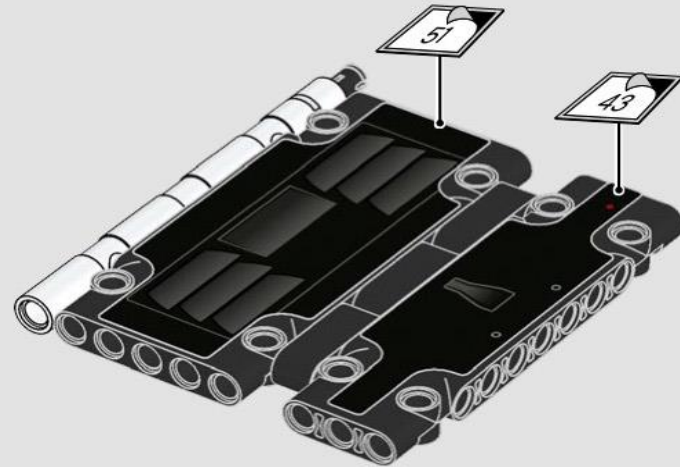
484



485



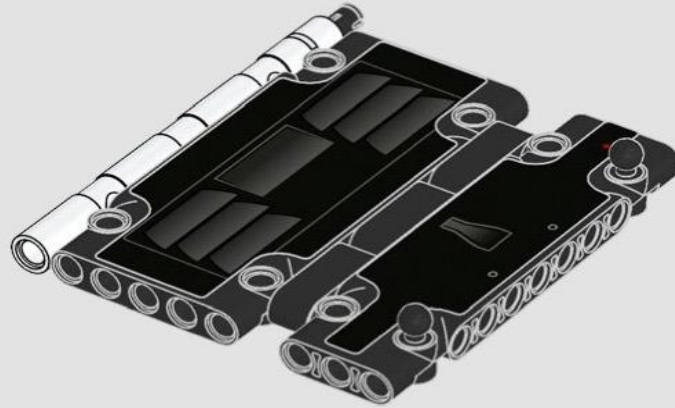
486



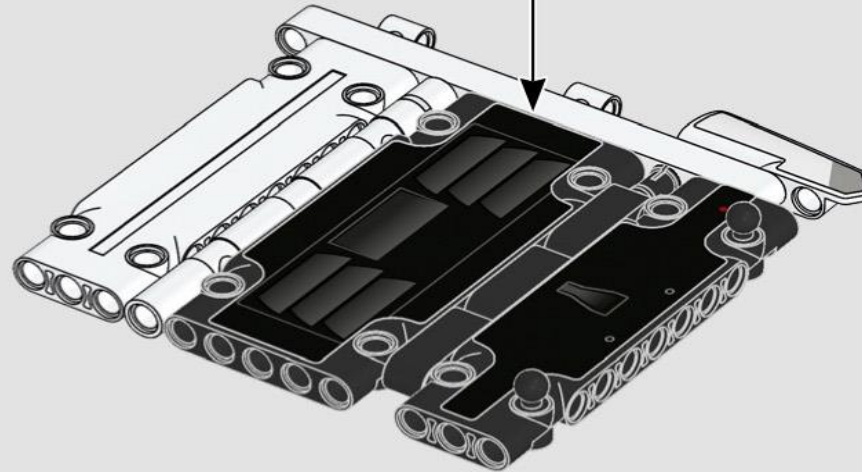


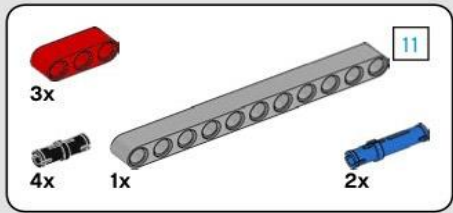
2x

487

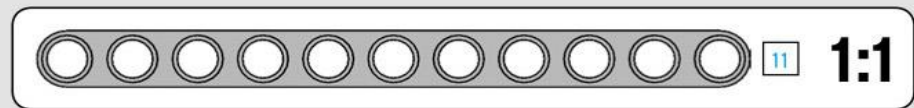
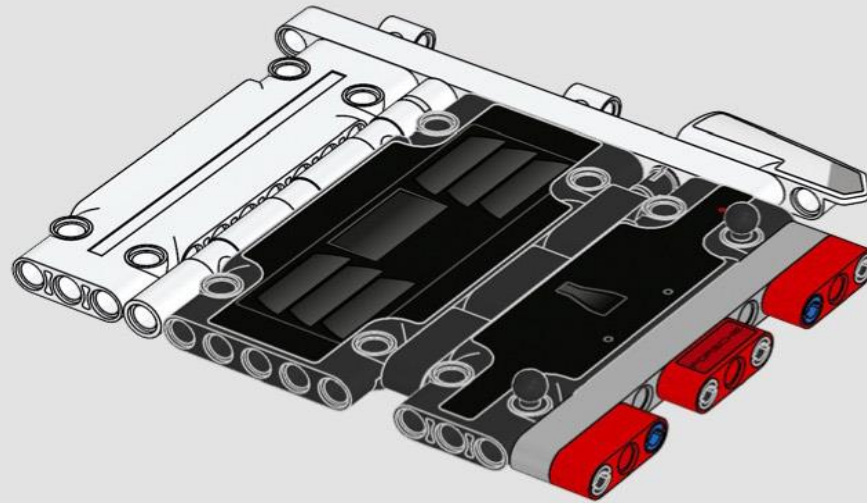
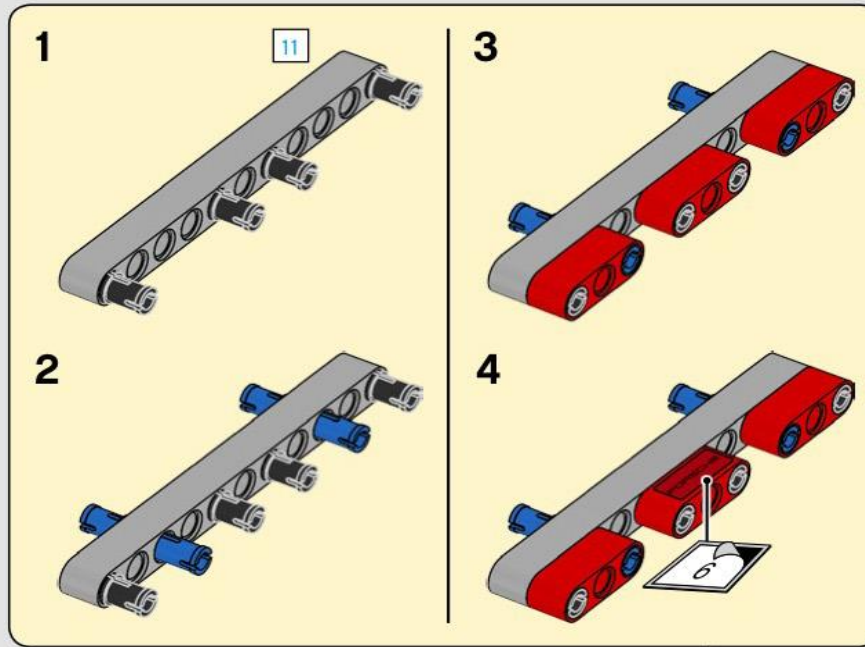


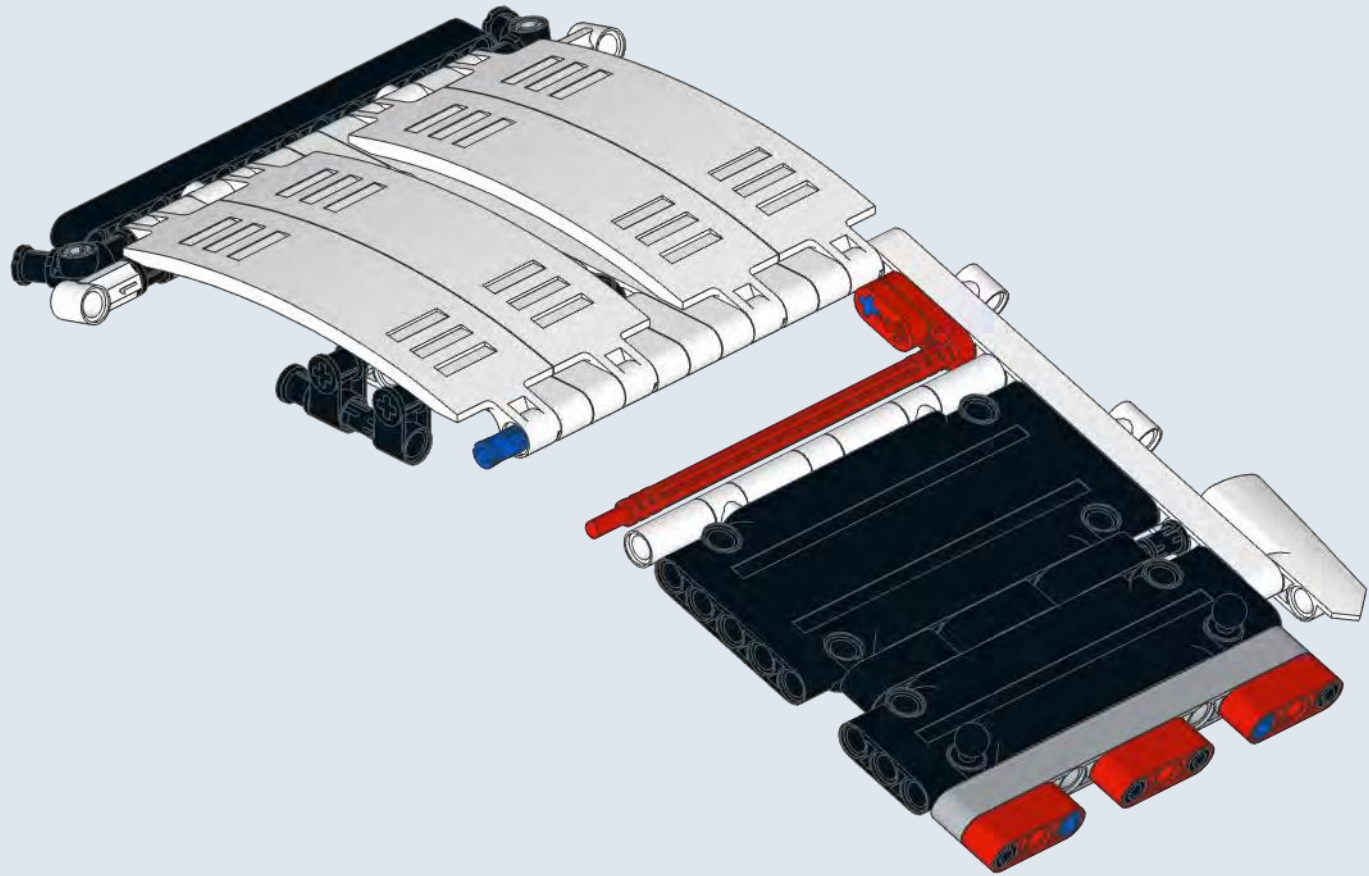
488



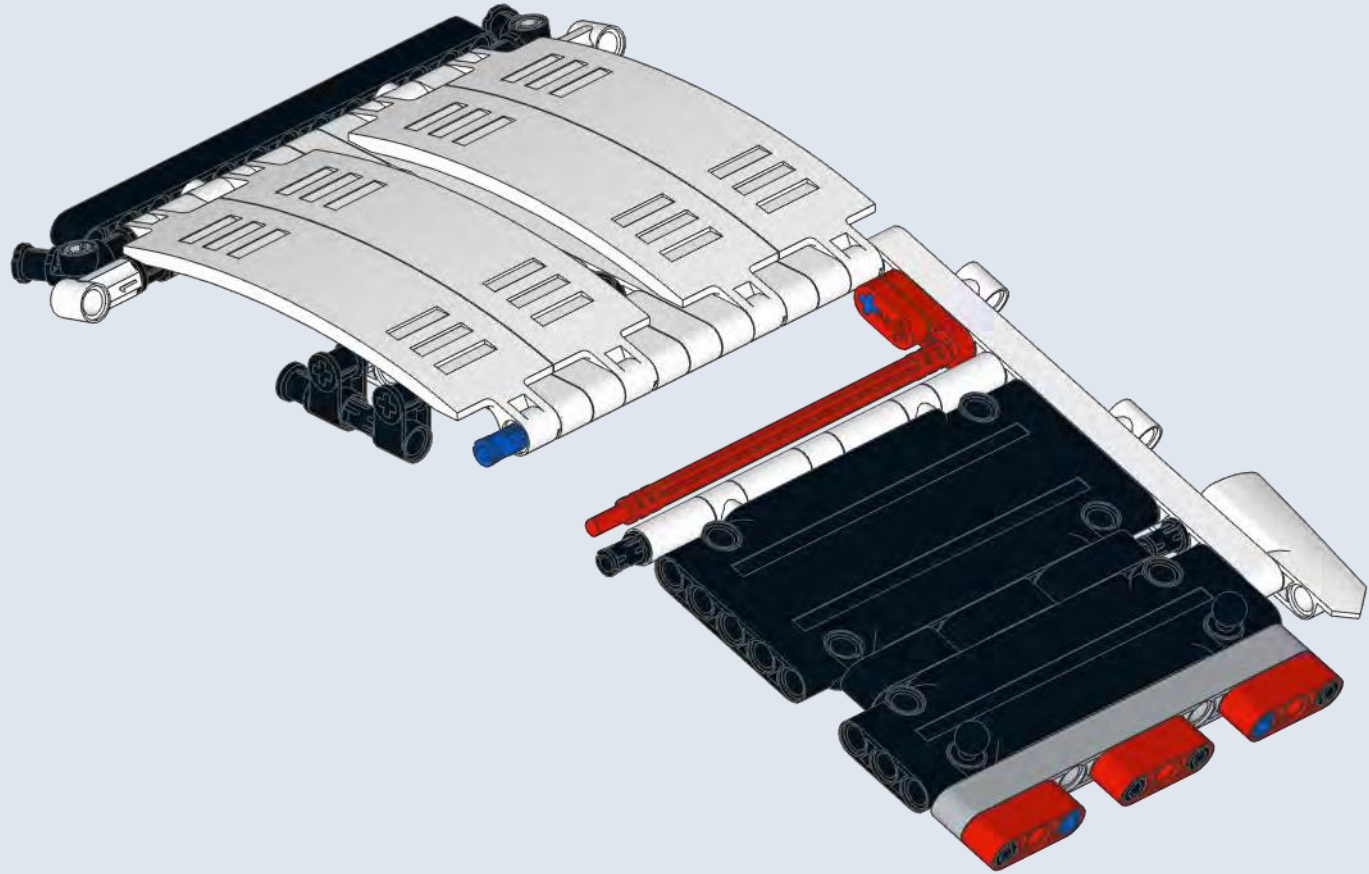


489





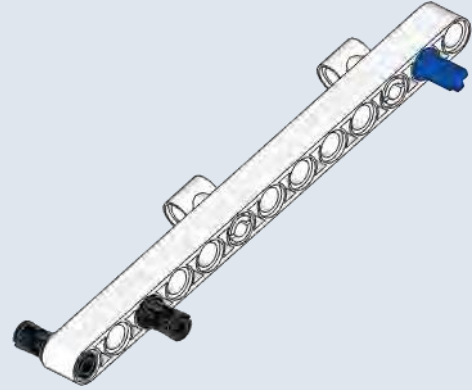
491





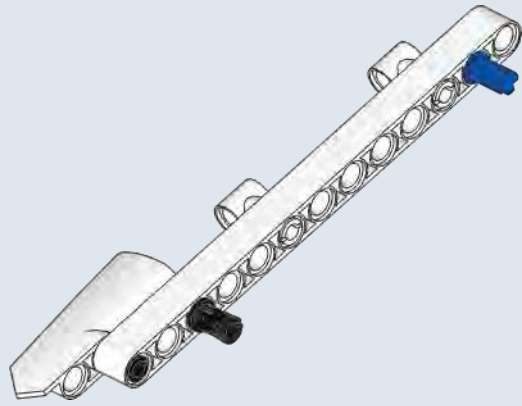
1

1x
1x
2x 2x



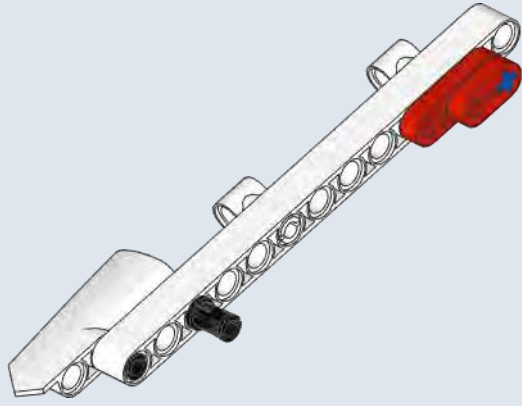
2

1x

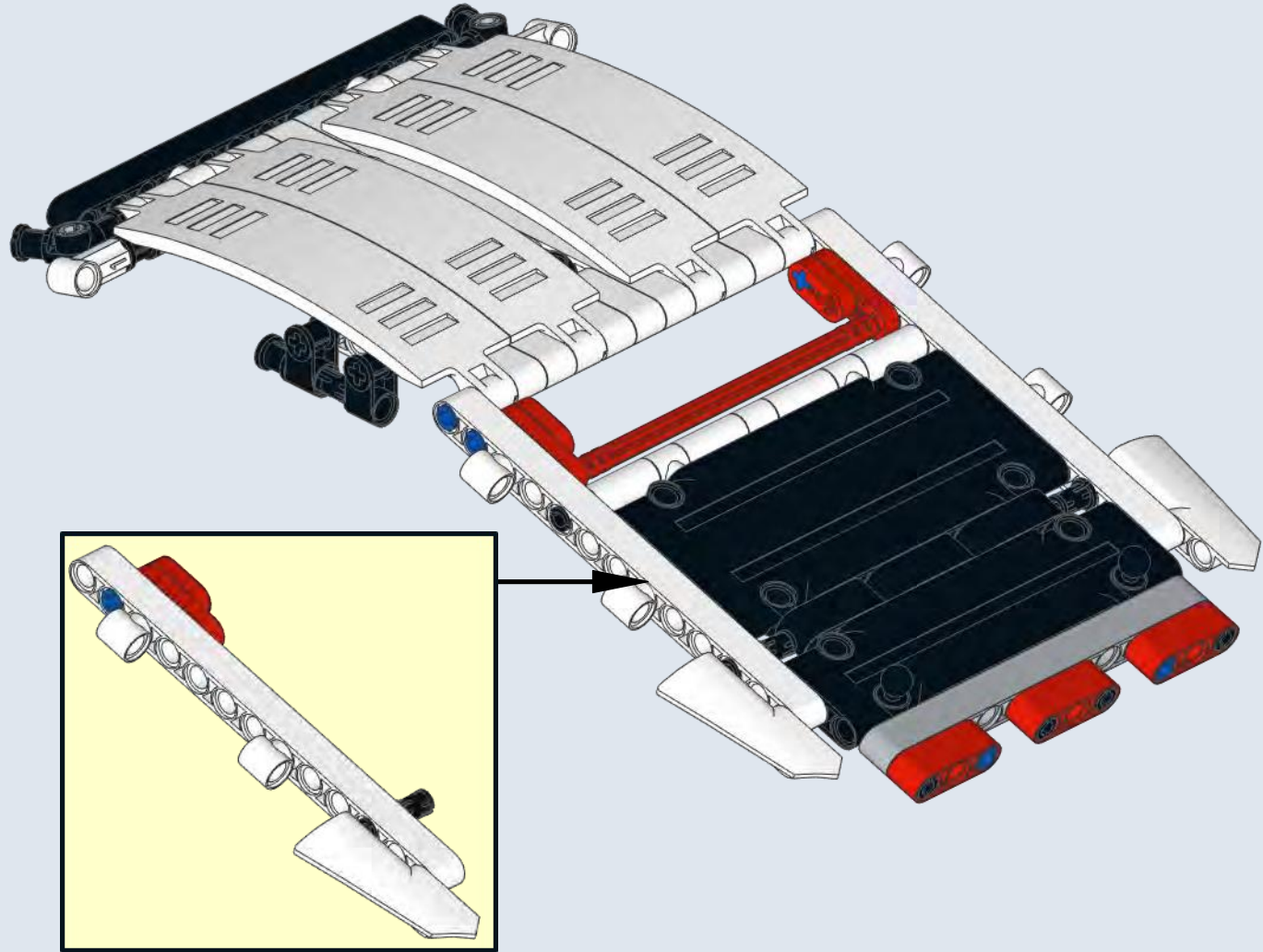


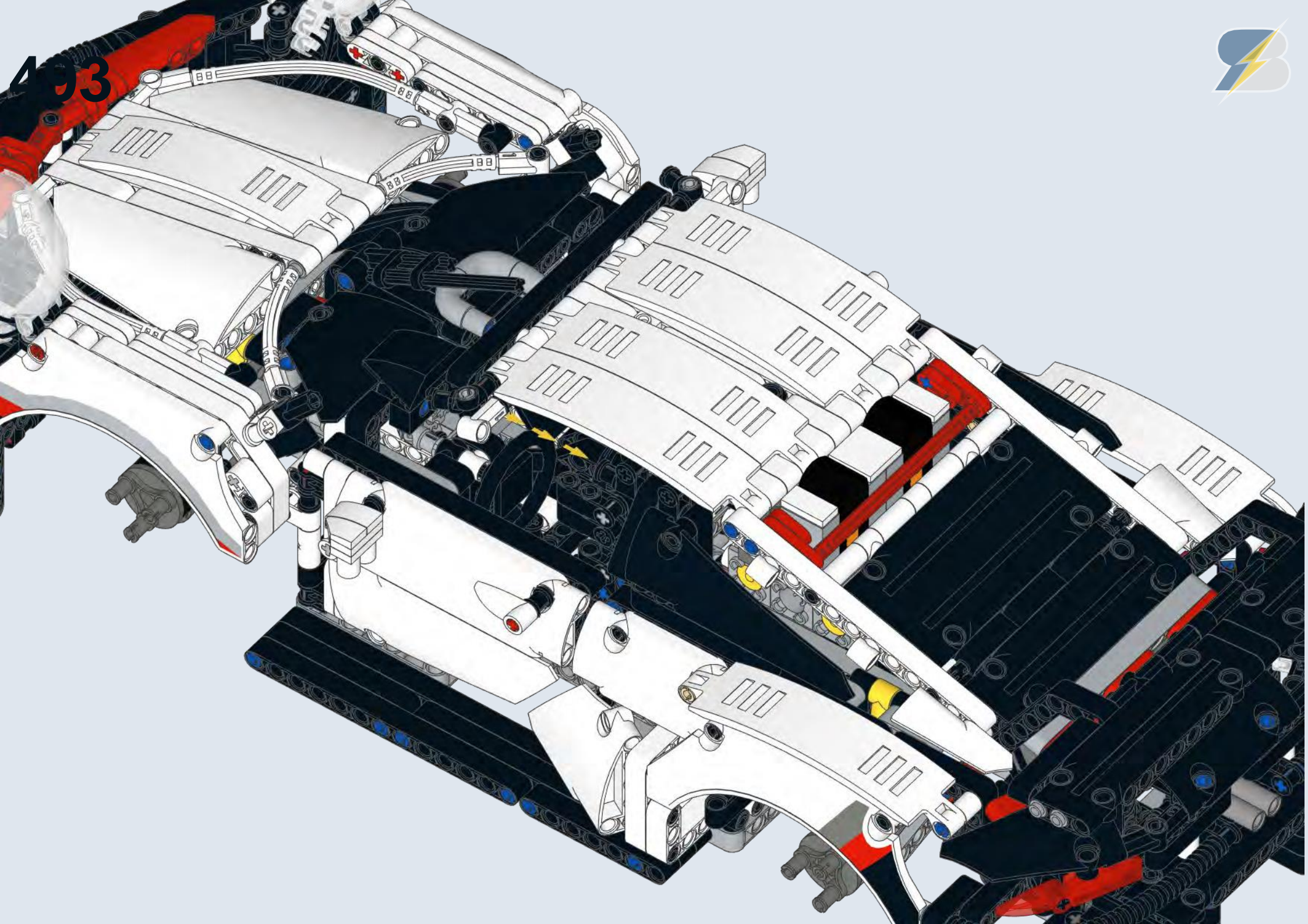
3

1x 1x



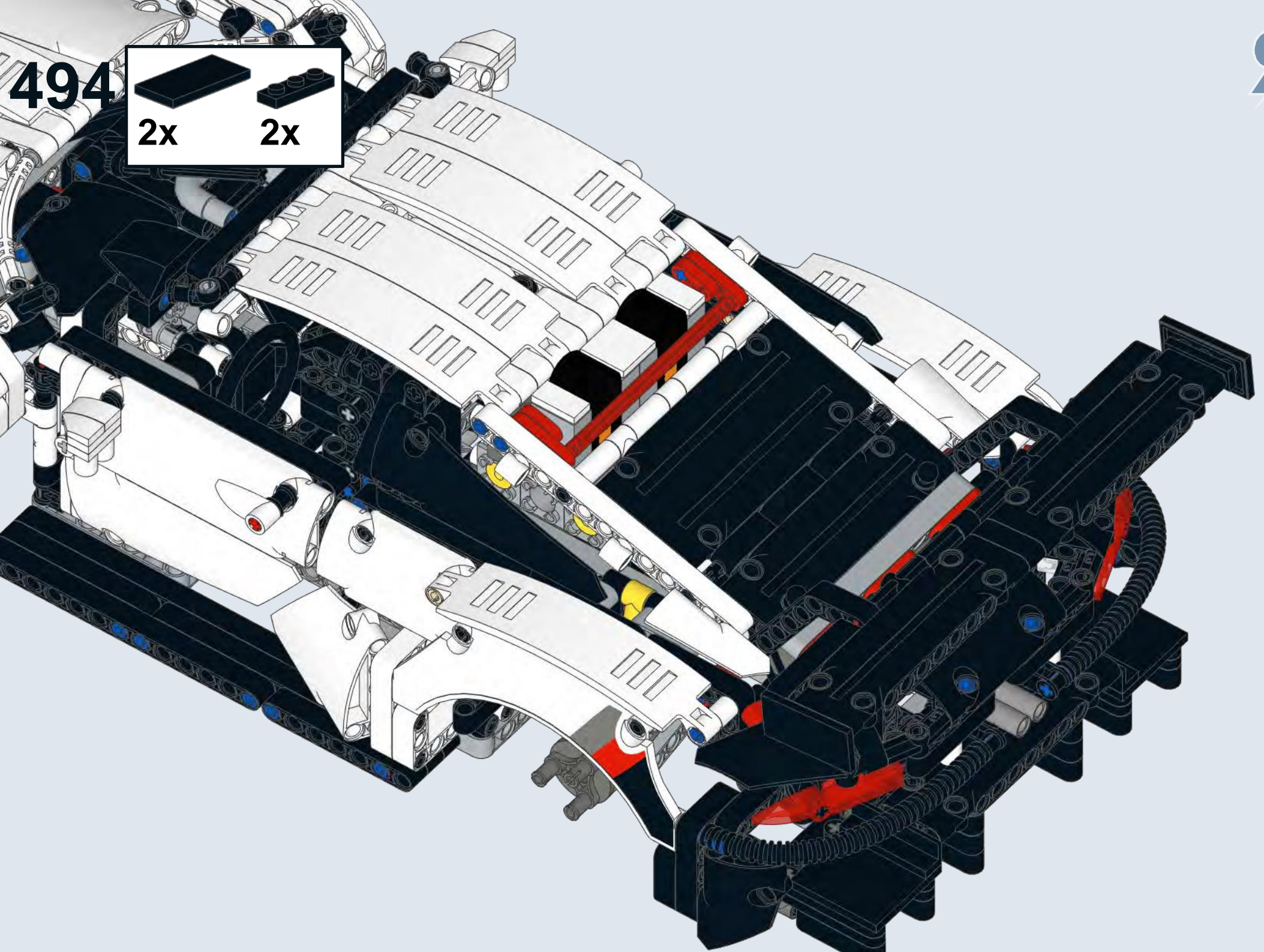
492





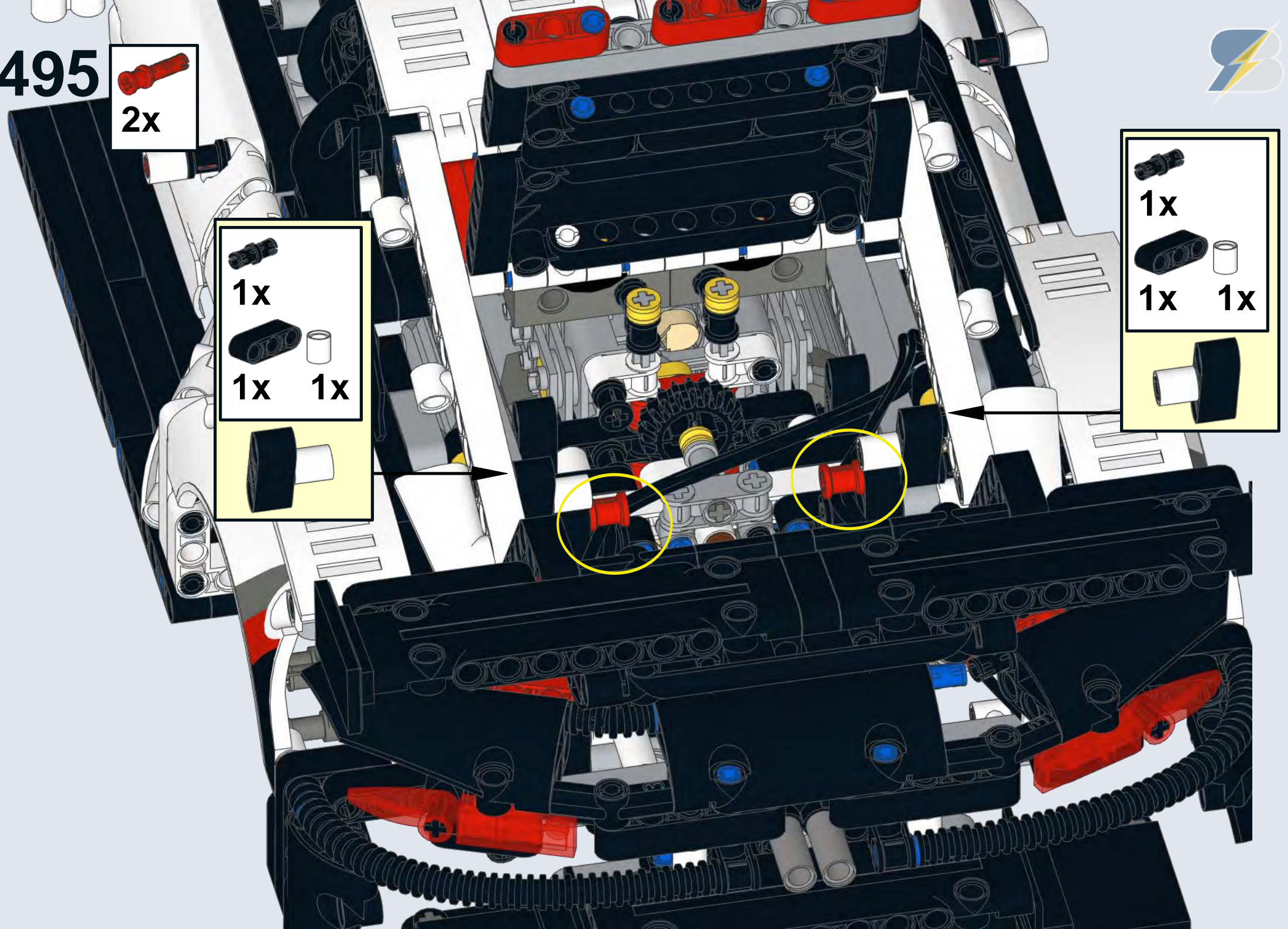
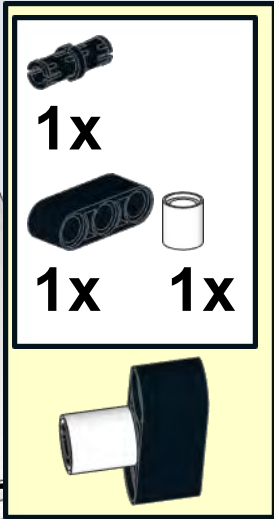
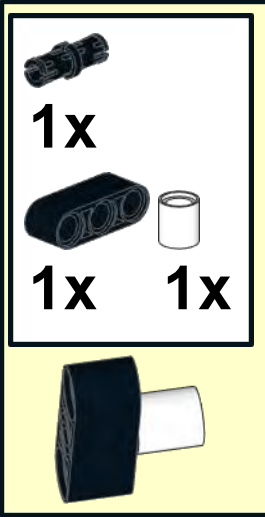


494





495

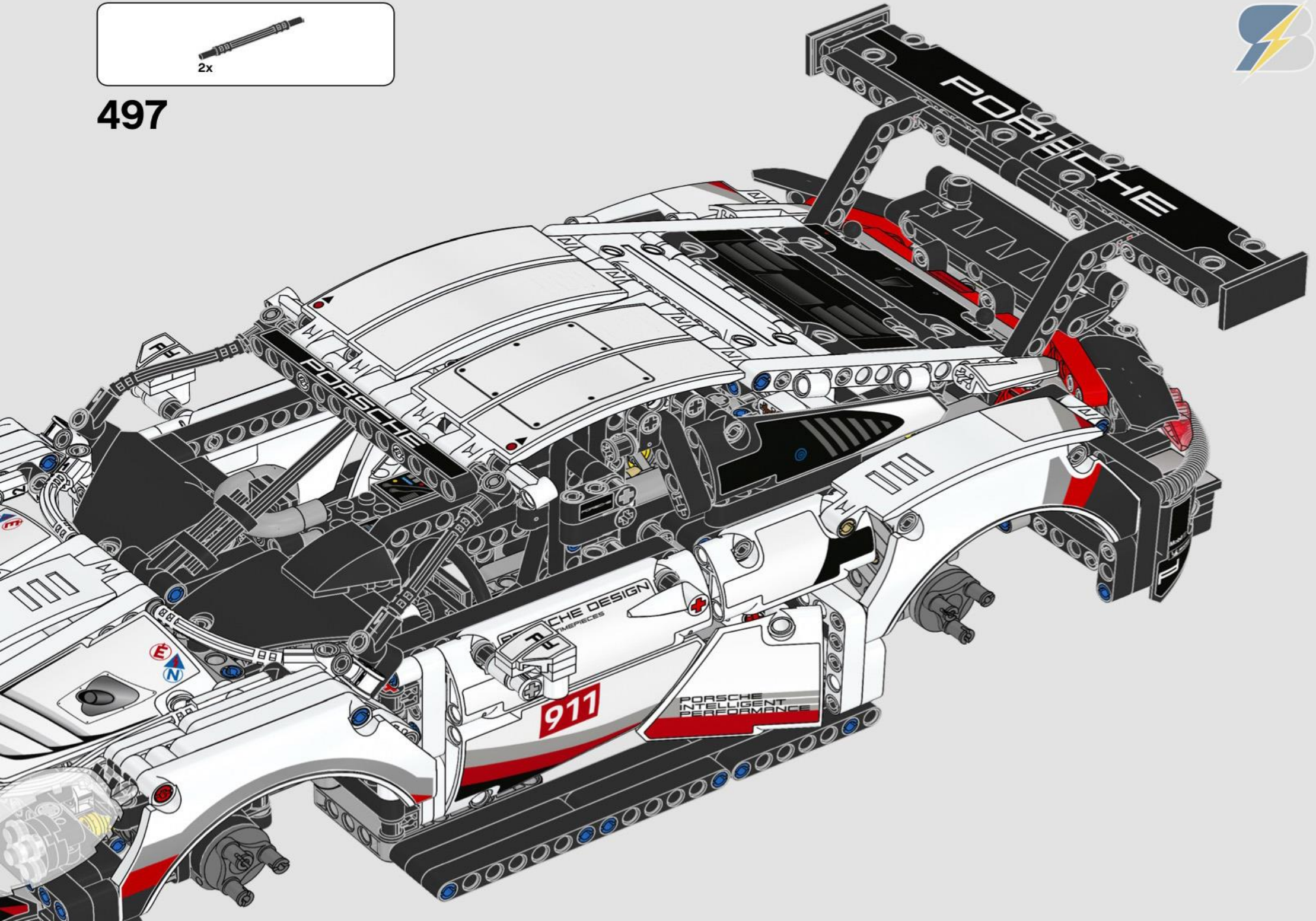


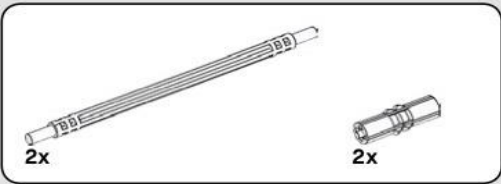


497-504
original steps

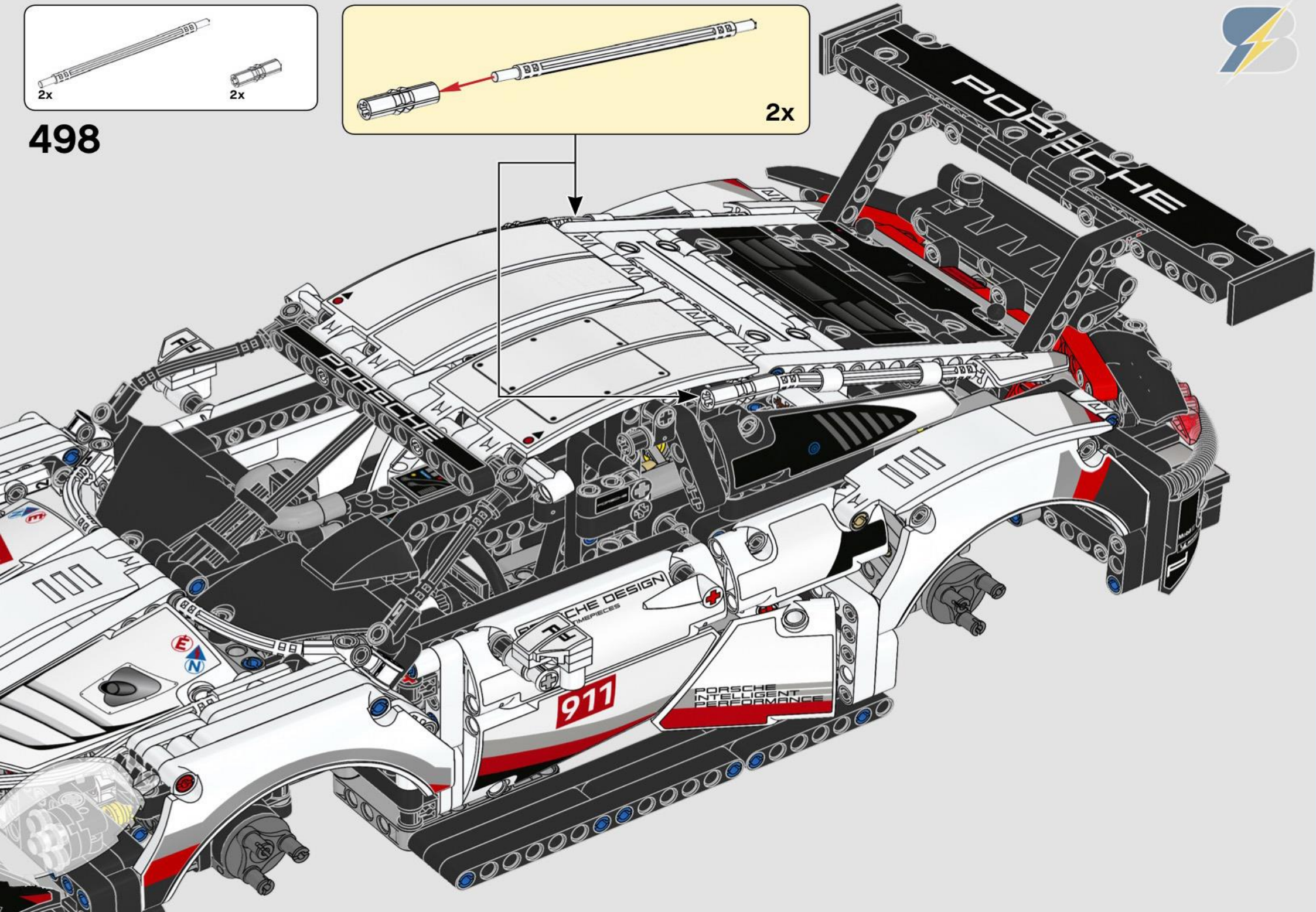
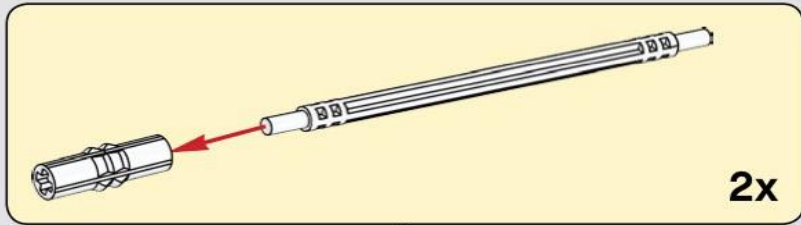


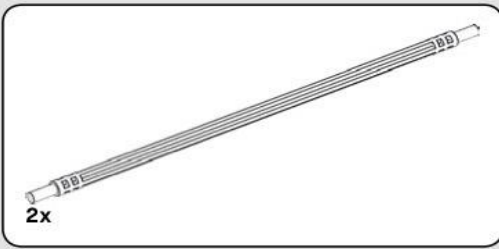
497



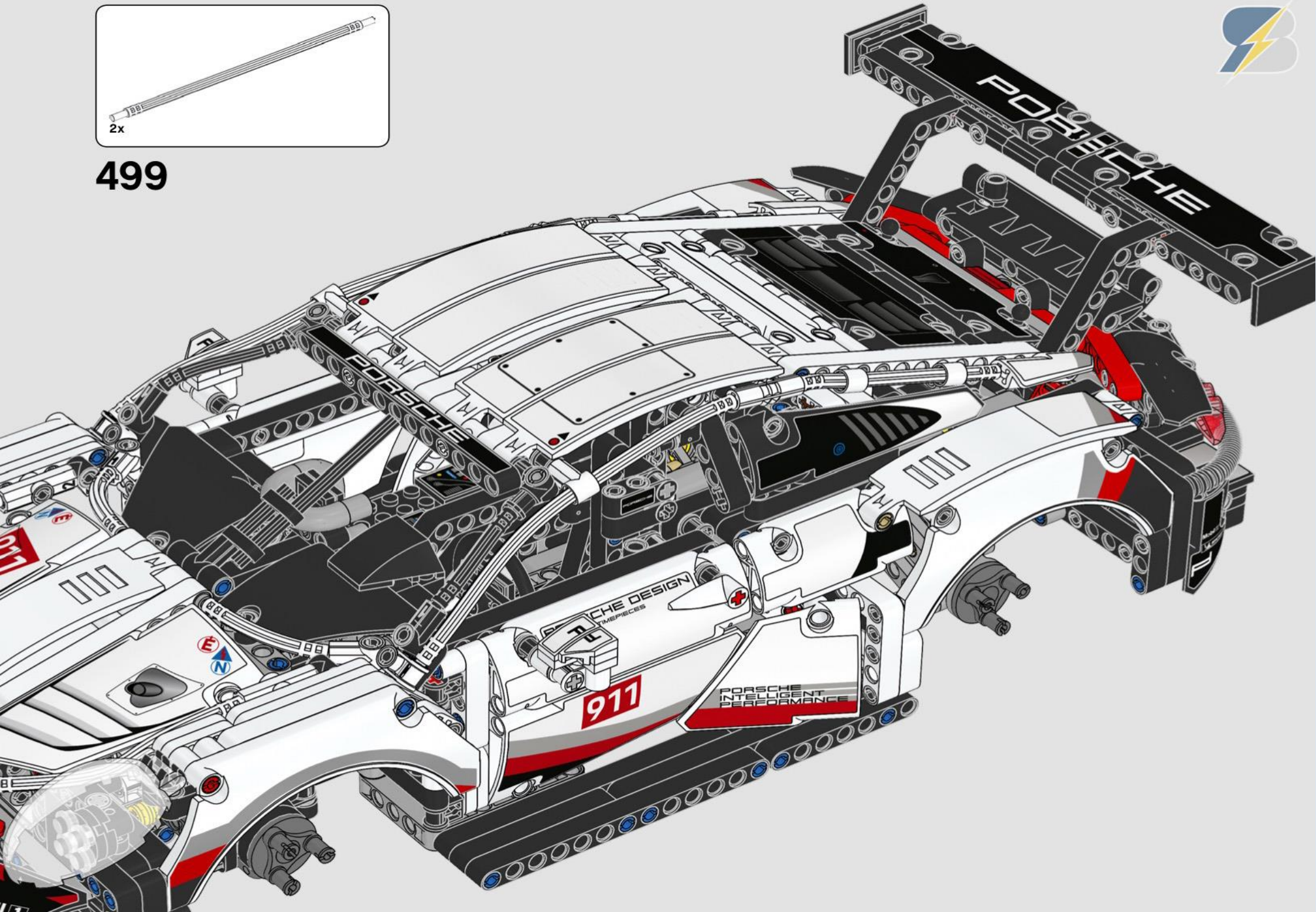


498





499



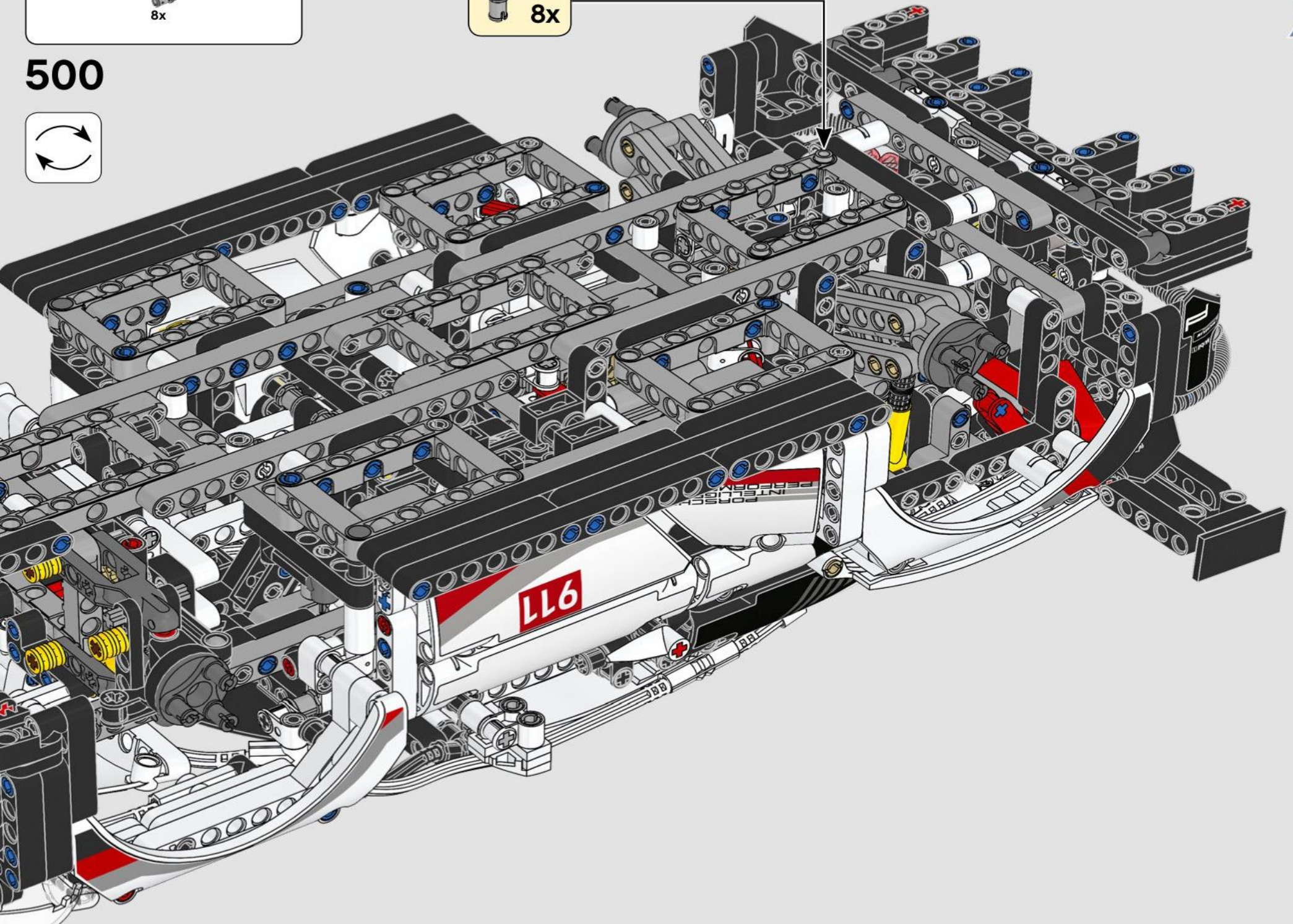


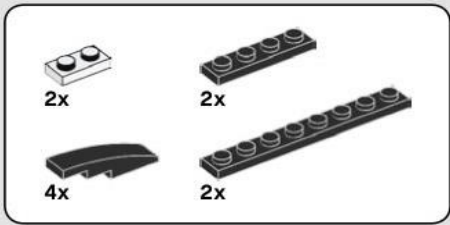
8x



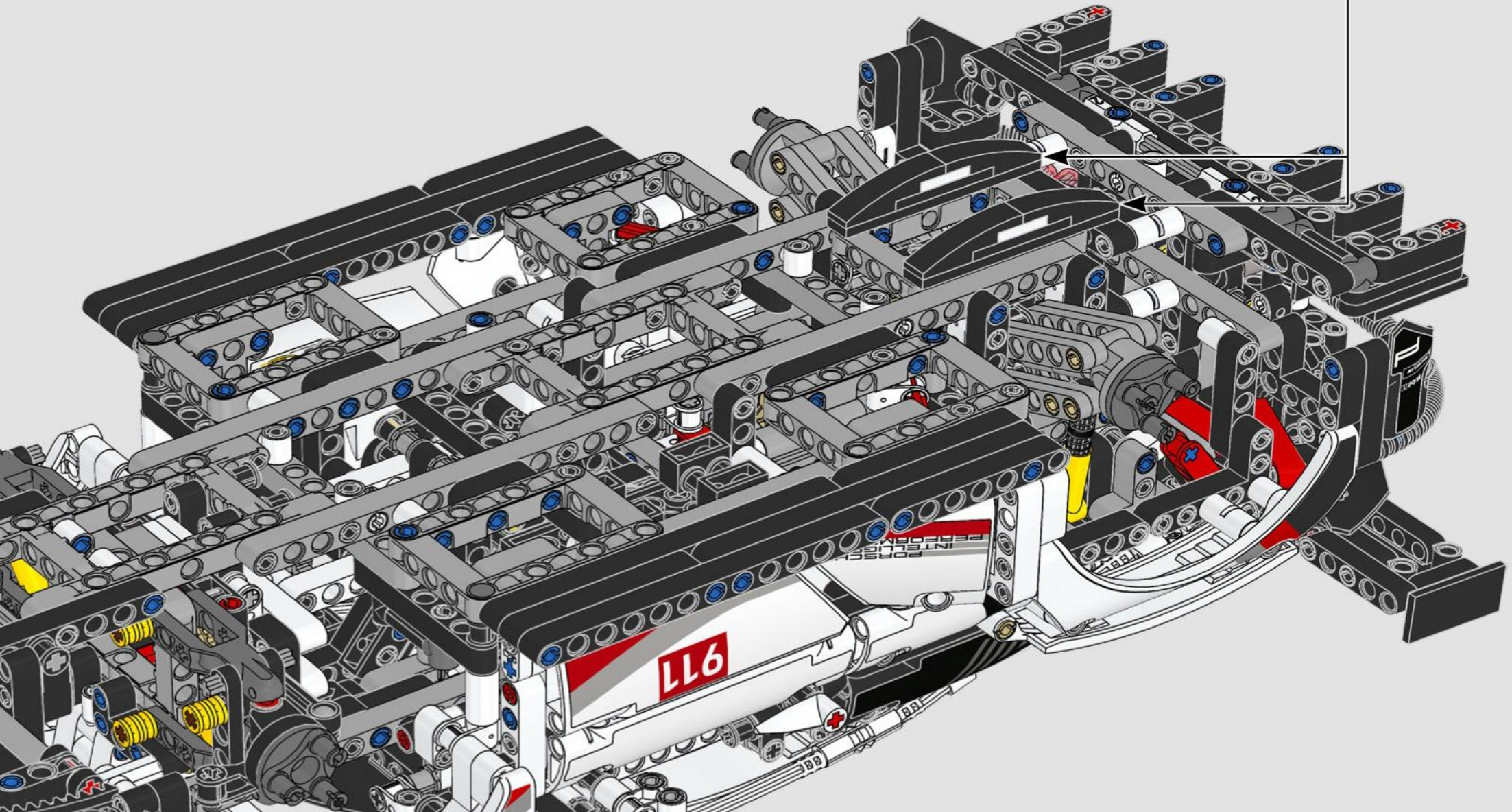
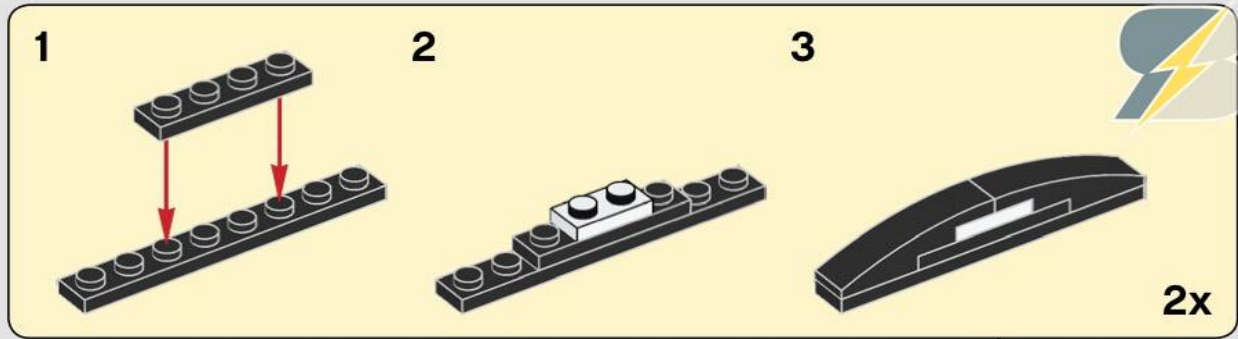
8x

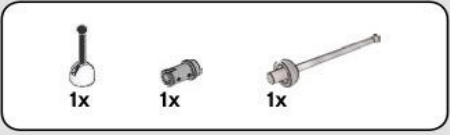
500



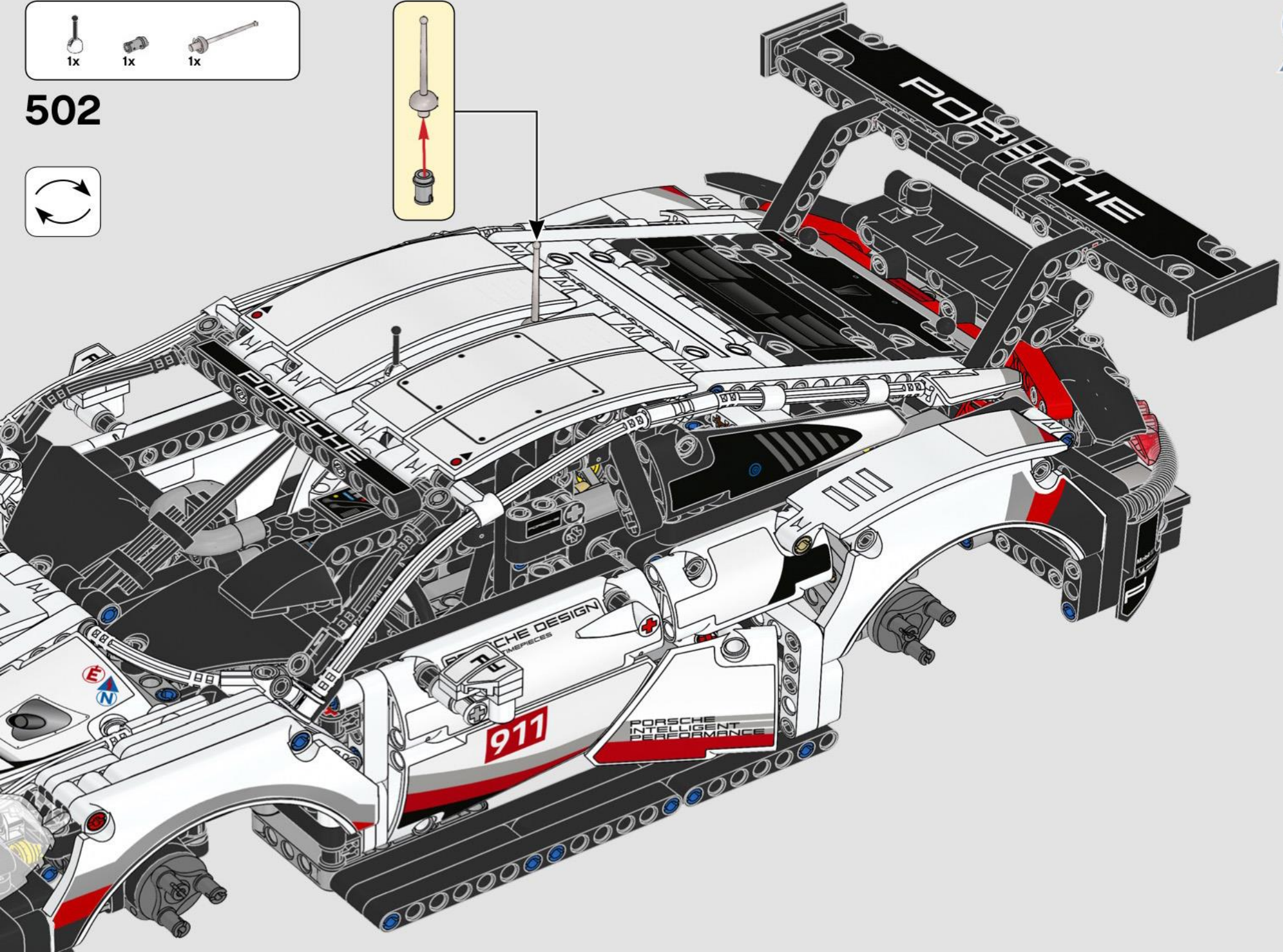
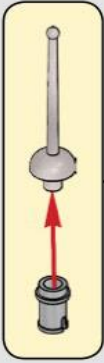


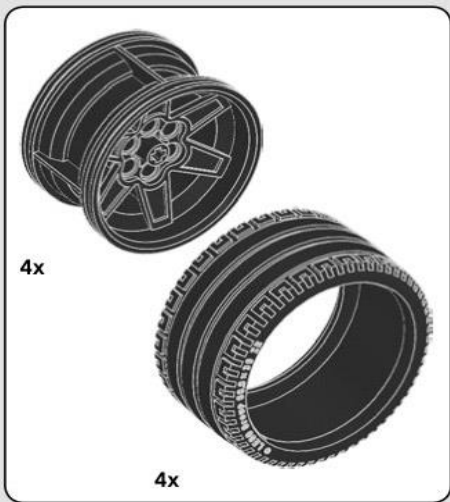
501



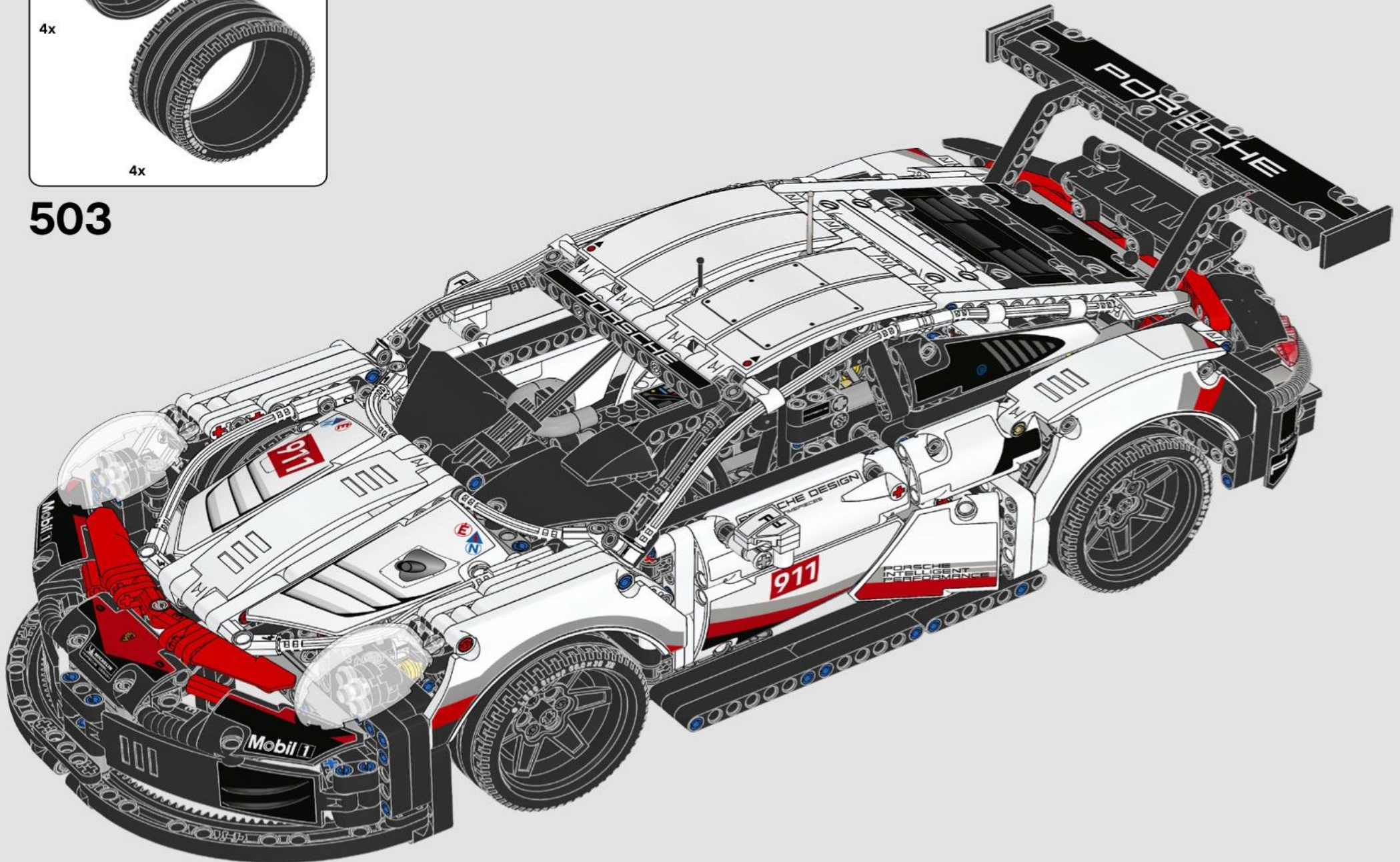


502





503



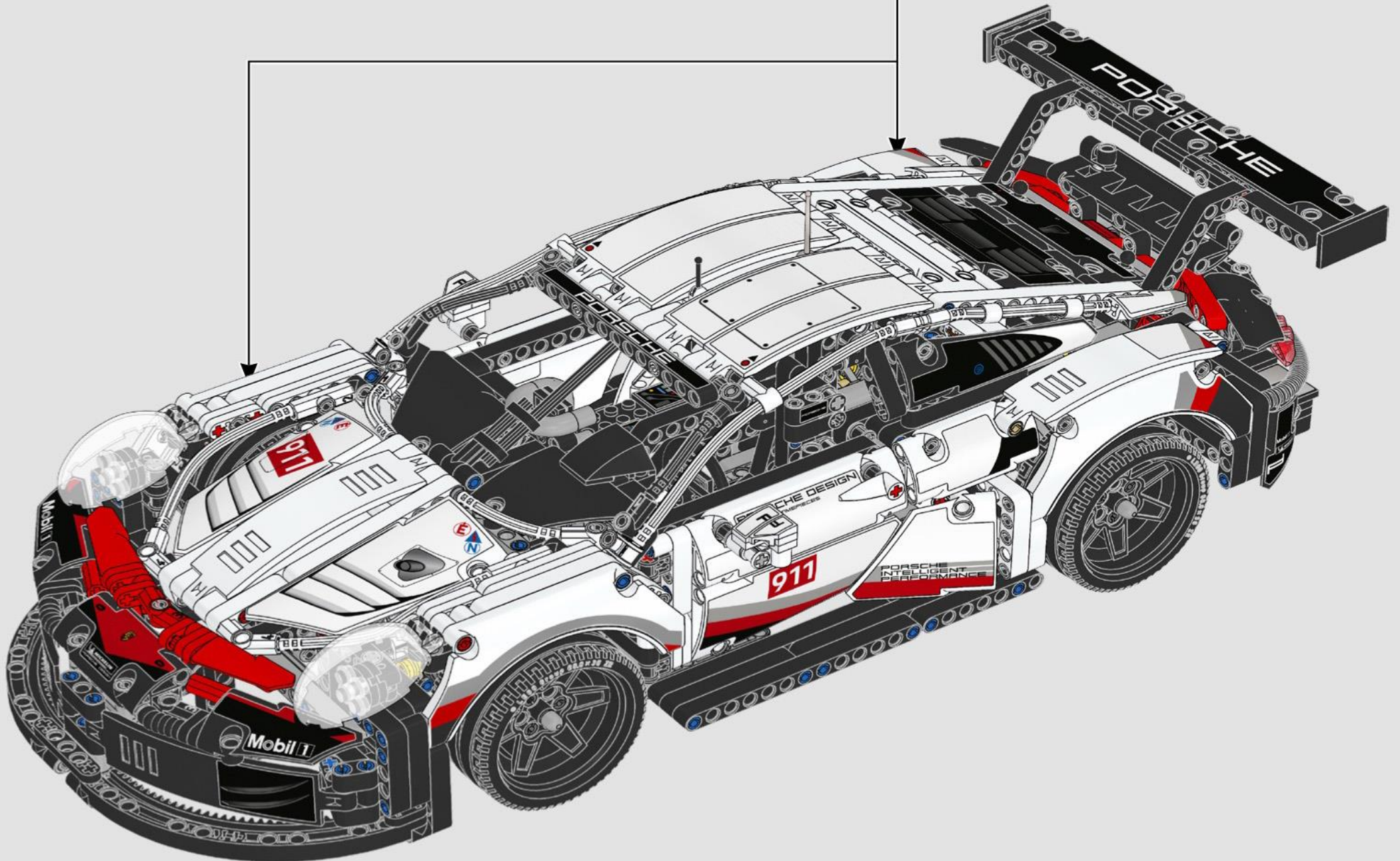


4x

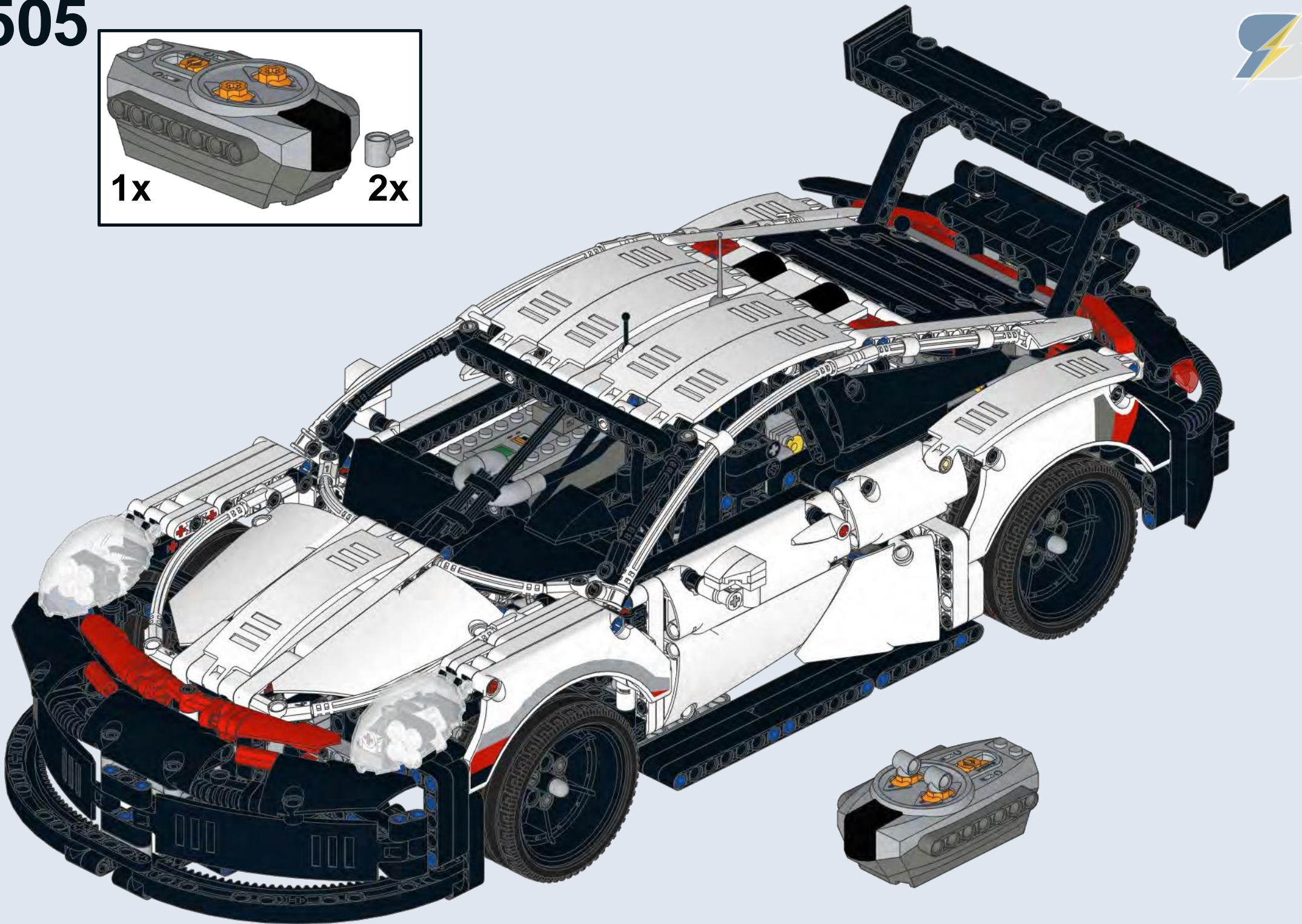
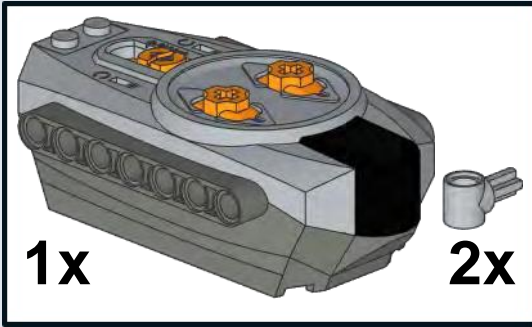


2x

504



505



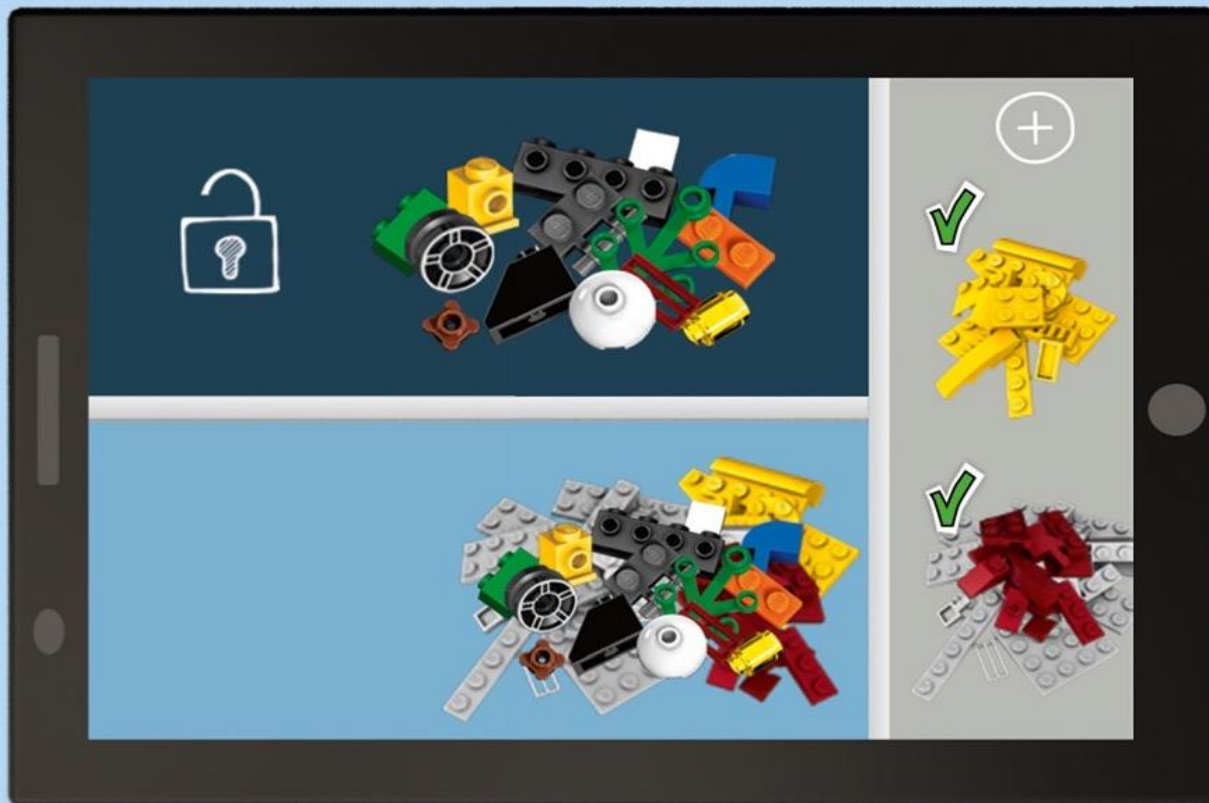
1

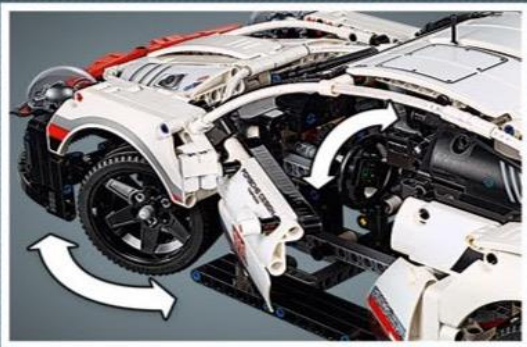
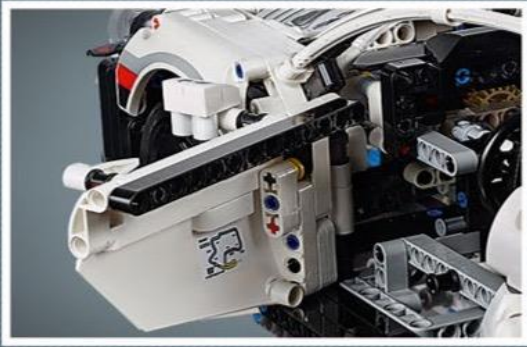


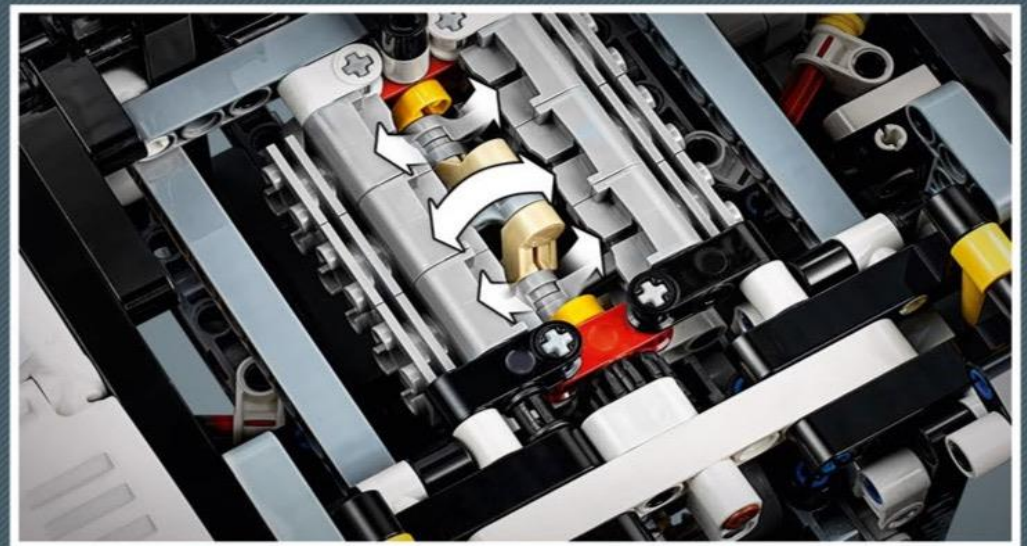
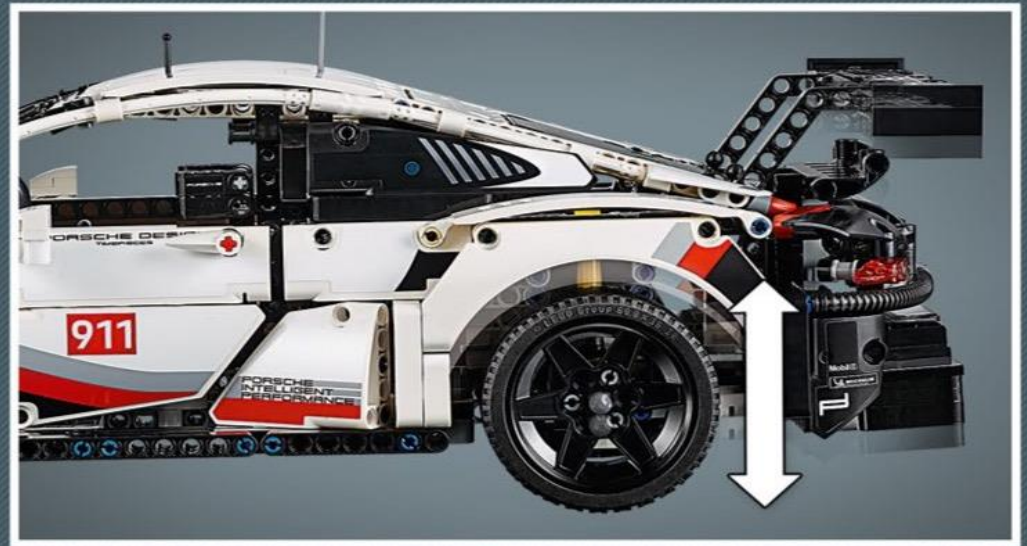
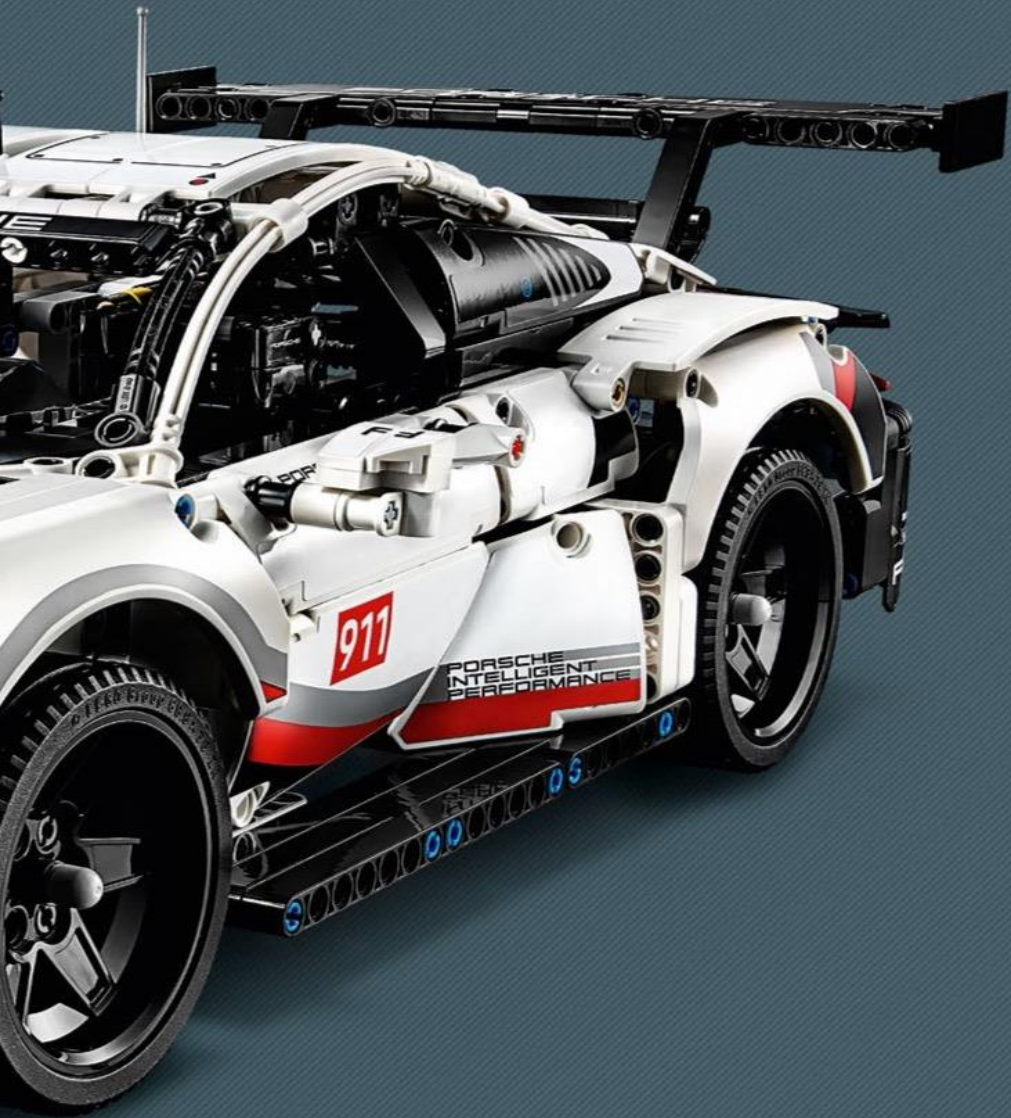
2



3











PORSCHE



- 42x 6253271
- 6x 4125554
- 1x 6213880
- 1x 654101
- 1x 6213881
- 31x 6261372
- 2x 6137758
- 14x 6177268
- 2x 6254266
- 2x 6034044
- 4x 302301
- 16x 6173116
- 2x 4173941
- 18x 4107826
- 2x 242001
- 3x 6100932
- 10x 4208160
- 3x 4118980

- 1x 6114580 (21)
- 1x 6114583 (22)
- 1x 6030432 (14)
- 1x 6030433 (13)
- 2x 6023996 (18)
- 2x 6023994 (17)
- 2x 6246996
- 2x 4495412
- 4x 4296264
- 2x 6004137
- 1x 6055627
- 7x 6253262

- 2x 6212046
- 4x 6170574 (5)
- 3x 4249021 (9)
- 10x 6001831
- 6x 4620671 (13)
- 1x 6253094
- 1x 6253096
- 1x 6253096
- 1x 6252904
- 1x 6253095
- 2x 6102484

- 24x 6177114
- 6x 4118981
- 4x 4585040
- 4x 6063445
- 1x 6176754
- 6x 6254216 (22)
- 1x 6022752
- 8x 4186678
- 1x 6022750 (21)
- 26x 4142865
- 6x 4513174
- 15x 6209519
- 4x 4128598
- 5x 4153718
- 2x 4142132 (5)
- 3x 6130002 (6)

- 3x 4565452
- 2x 6013937
- 2x 6084724
- 10x 4514554
- 1x 4666999
- 42x 4206482
- 161x 4514553
- 19x 4239601
- 6x 4112203
- 2x 4119474 (7)
- 4x 6130009
- 1x 73737
- 4x 4289538
- 5x 6121485
- 2x 4107783
- 8x 4560174
- 7x 4107085

- 3x 4177431
- 2x 4184169
- 4x 4660886
- 18x 4164133
- 14x 6261371
- 4x 403226
- 310x 4121715
- 15x 6253260
- 4x 4177444
- 5x 4162857
- 5x 4512363
- 4x 3200026
- 2x 302326
- 5x 306826
- 22x 4173970
- 17x 6089119
- 46x 4140801
- 6x 4107765

- 6x 6007966
- 15x 4142822
- 2x 362326
- 6x 6261386
- 19x 4120017
- 2x 6092570
- 4x 6037746
- 2x 371026
- 2x 370126
- 1x 6009018
- 2x 6145859
- 13x 6030286
- 3x 4560182
- 26x 4142823
- 1x 4125213

2x
4629921

4x
4128593

2x
617926

4x
6253278

2x
6253280

1x
4566249

2x
4541325

1x
4558740

1x
4558731

1x
4566251

2x
4541924

1x
4558775

1x
4558774

1x
4562009

2x
6132744

15x
4142135

32x
4495935

18x
4522933

10x
370526

1x
370726

3x
4140327

4x
4111998

2x
6224911

2x
346026

2x
6150082

1x
303526

1x
6214731

4x
6080356

2x
6208345

1x
4566243

4x
6253256

4x
6062225

8x
6240030

2x
6245499

1x
6222063

4x
6027566

2x
6254267

4x
4163567

7x
6135494

2x
6159763

7x
6005331

2x
4610374

4x
4610378

4x
6083620

1x
4525184

1x
4508553

4x
6074651

4x
6212288

4x
6122217

1x
6183784

41x
4211483

14x
4211622

2x
4211375

2x
4640536

6x
6000018

4x
6268924

9x
4552348

2x
4525904

6x
4234251

7x
4539880

2x
4540797

4x
6151349

2x
6169984

1x
4211779

2x
6055519

16x
4211586

29x
4211815

11x
4211639

2x
4535768

1x
4495930

6x
4611705

12x
4542577

Customer Service
Kundenservice
Service Consommateurs
Servicio Al Consumidor
LEGO.com/service or dial

00800 5346 5555
1-800-422-5346



Extra parts needed besides the parts from 42096



The diagram illustrates the required parts for assembly, organized into several sections:

- Top Left:** 2x black cable with connector, 2x grey motor housing, 2x grey battery pack.
- Top Middle:** 4x grey pins, 2x grey pins, 3x grey connectors, 2x grey connectors, 4x grey connectors, 2x grey connectors.
- Top Right:** 2x grey cable with connector, 2x grey motor housing, 1x grey motor housing.
- Middle Right:** 2x white plates, 1x white plate, 2x red connectors, 4x red connectors, 2x blue connectors, 2x blue connectors, 9x blue connectors, 7x blue connectors, 2x red connectors, 1x red connector, 2x red connectors, 2x red connectors, 1x red connector, 11x yellow connectors, 2x red connectors, 36 black connectors, 2x black connectors, 4x black connectors.
- Bottom Left:** 2x grey motor housing, 2x grey cable with connector, 6x grey cable with connector.
- Bottom Middle:** 1x grey motor housing, 2x grey connectors, 2x grey connectors, 2x grey connectors, 1x grey connector, 4x grey connectors, 2x grey connectors, 1x grey connector, 2x grey connectors, 6x grey connectors, 5x grey connectors.
- Bottom Right:** 20 black gears, 12 black gears, 4x black connectors, 1x black connector, 11x black connectors, 4x black connectors, 14x black connectors, 9x black connectors, 4x black connectors, 9x black connectors, 2x black connectors, 6x black connectors, 5x black connectors.
- Far Right:** 12 red pins, 1x red pin, 1x red pin, 2x red pins, 2x red pins, 1x red pin, 11x yellow connectors, 2x black connectors, 2x black connectors, 4x black connectors.



Thank you for your support!

**I hope you enjoyed this build,
click here to check out my
other creations!**

WIN

GO TO WWW.LEGO.COM/PRODUCTFEEDBACK AND GIVE US YOUR SHORT **FEEDBACK** ABOUT THIS LEGO® SET FOR A CHANCE TO WIN A COOL LEGO PRIZE.

Terms & Conditions apply



LEGO.com/productfeedback

GEWINNE

Erzähle uns auf www.LEGO.com/productfeedback

etwas über die Erfahrungen, die du mit diesem LEGO® Set gemacht hast, und sichere dir die Chance auf einen coolen LEGO Preis!

Es gelten die Teilnahmebedingungen

GAGNE

Rends-toi sur www.LEGO.com/productfeedback

et donne-nous quelques commentaires sur ce produit LEGO® pour avoir une chance de gagner un prix LEGO !

Voir Conditions Générales

GANAN

Visita www.LEGO.com/productfeedback

y envíanos tu opinión acerca de este set LEGO®. ¡Participarás en el sorteo de un premio LEGO!

Términos y Condiciones aplicables

获取奖品

登录 www.LEGO.com/productfeedback

给出关于此乐高®套装的简短反馈，就有机会获得炫酷乐高奖品

《条款及条件》适用

경품 당첨 기회

www.LEGO.com/productfeedback

페이지로 이동하여 이 레고® 세트에 대한 간략한 피드백을 보내 주시고 멋진 레고 경품을 탈 수 있는 기회도 잡으십시오

약관 적용

ЗАПОЛНИ АНКЕТУ И ПОЛУЧИ ПРИЗ

Перейди по ссылке www.LEGO.com/productfeedback

ответь всего на несколько вопросов об этом наборе LEGO®, и у тебя появится шанс выиграть замечательный приз от компании LEGO.

Применяются Условия и правила участия