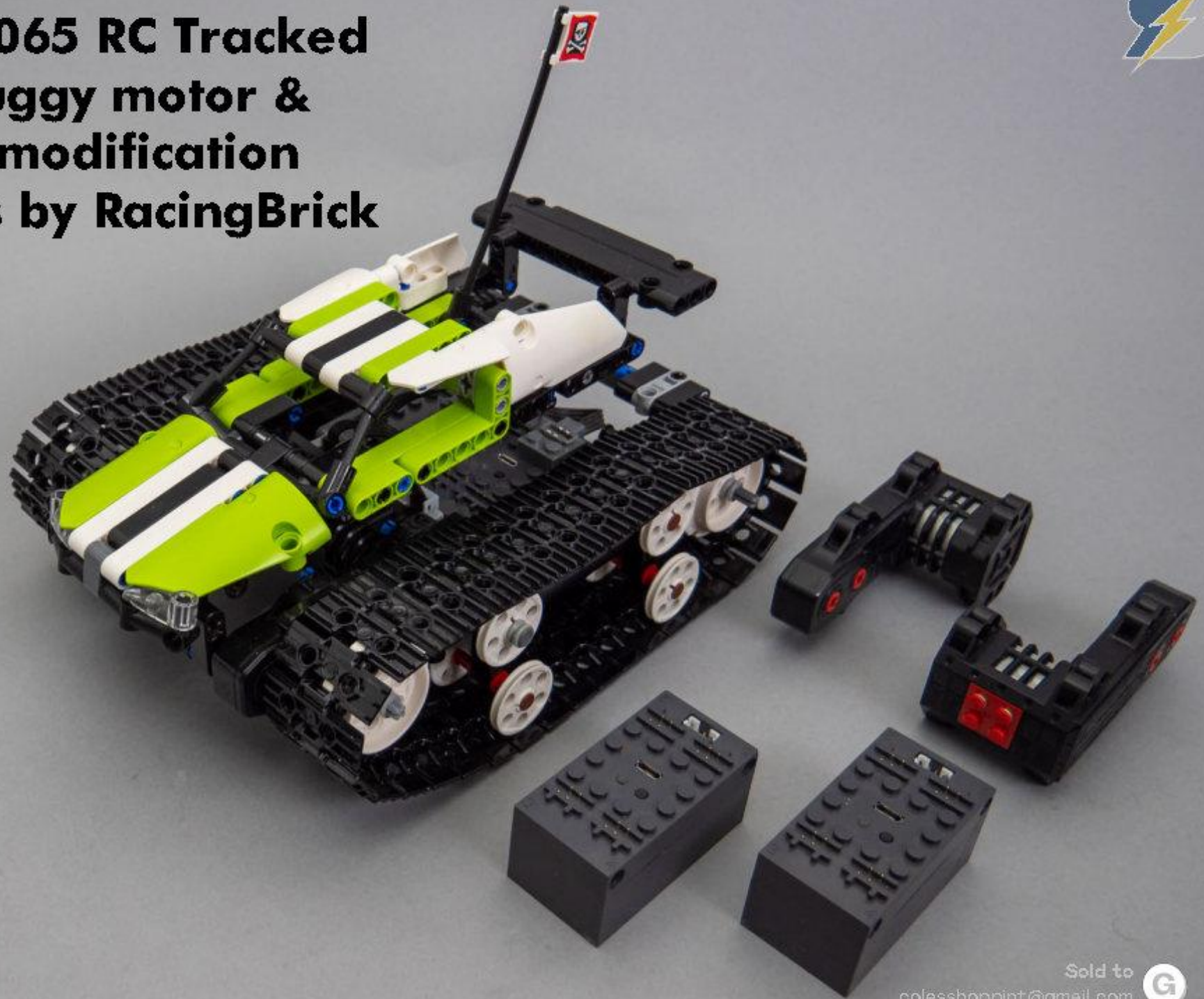


# Technic 42065 RC Tracked Racer Buggy motor & BuWizz modification instructions by RacingBrick





## **LEGO® Technic 42065 RC Tracked Racer modification with RC buggy motors and BuWizz instructions**

**WARNING - running the RC buggy motor at high speed can potentially stress and cause damage to the plastic components of the drive train! Operate the vehicle carefully, I shall not be responsible for any damage caused!**

**Original instructions are needed to complete the build, please follow the original steps where indicated**

**Contact [racingbrick@racingbrick.com](mailto:racingbrick@racingbrick.com) with any questions regarding this mod**

**You are not authorized to redistribute, copy or resell these instructions**

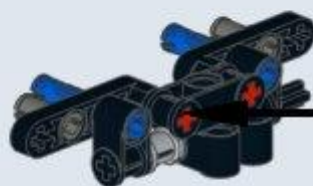
**Copyright© 2019 RacingBrick.com**

LEGO® is a registered trademark of the LEGO Group, which does not sponsor, endorse, or authorize these instructions or the model they depict.





4



1

6

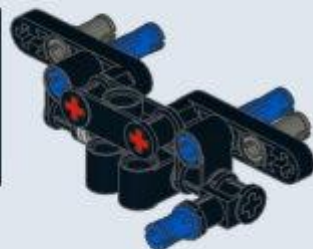
1x 1x 1x

2

3x

5

1x 1x



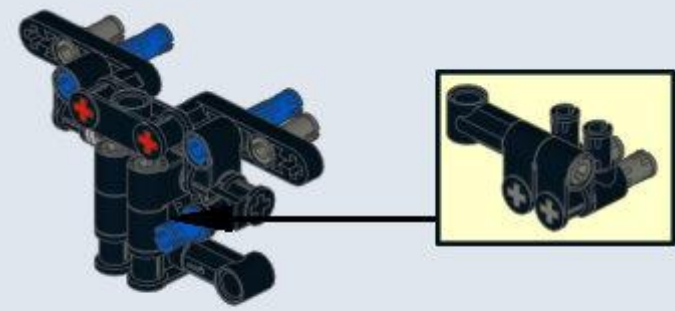




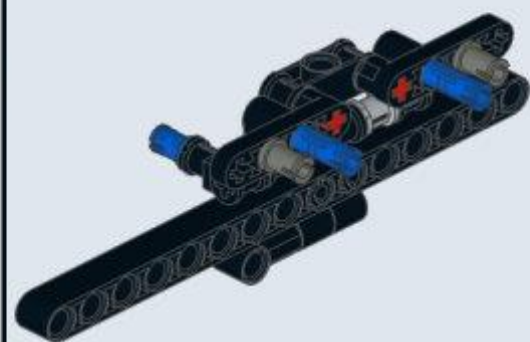
- 1  
- 2  
- 3  
- 4  



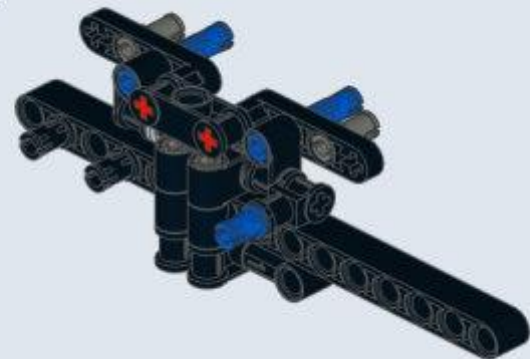
6



7

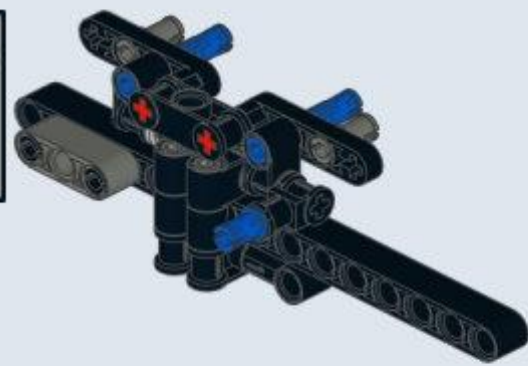


8

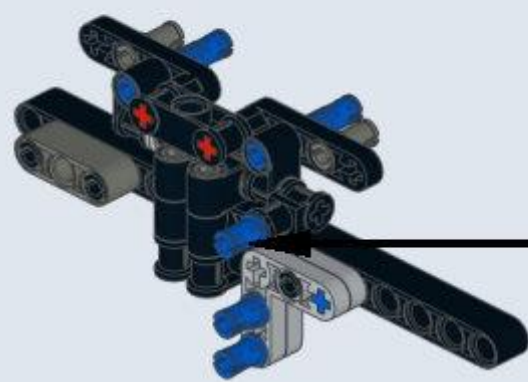




9



10



1

2x 1x 1x

2

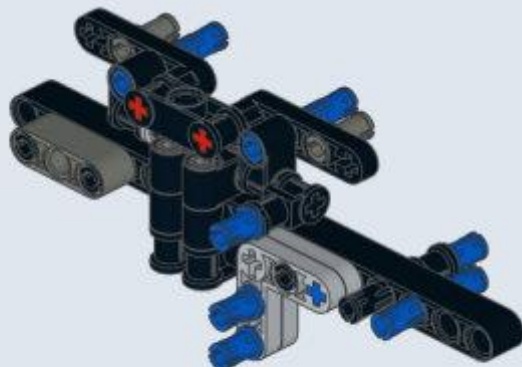
1x 1x



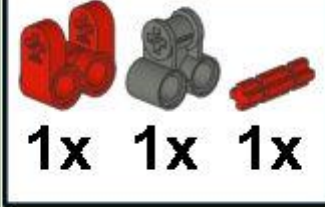
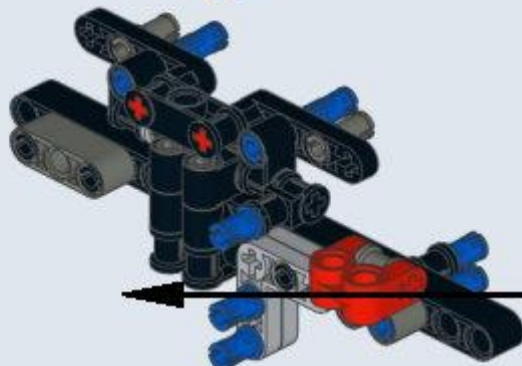
11




1x 1x 1x



12



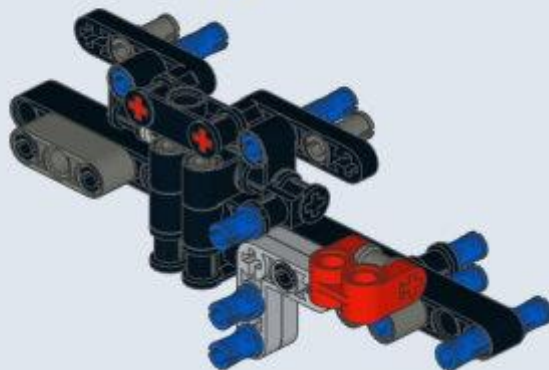
1x 1x 1x



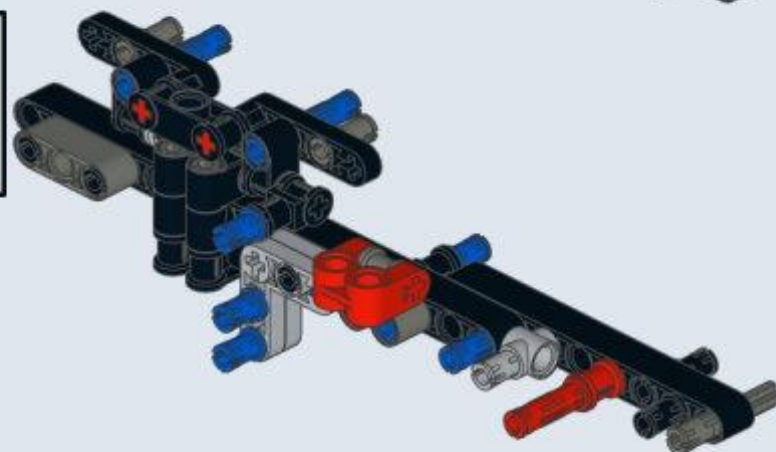
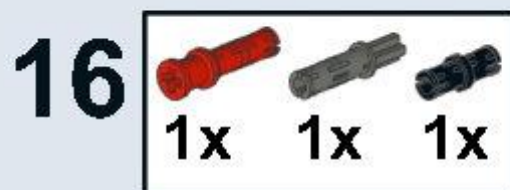
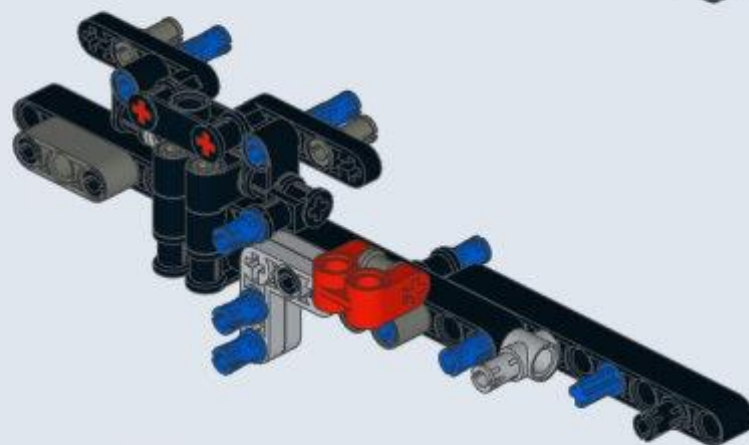
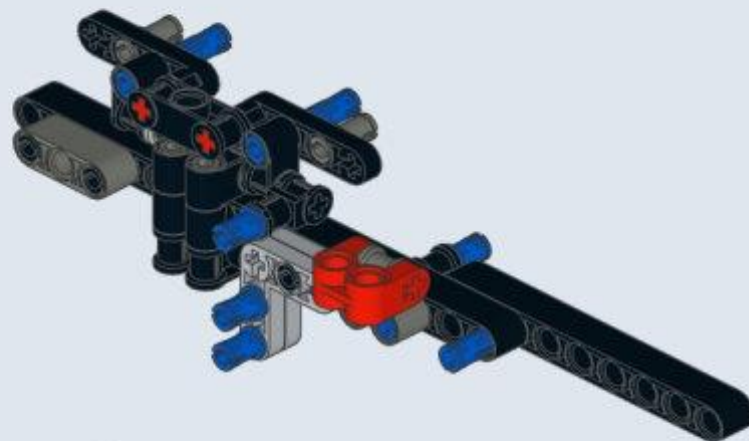
13



1x

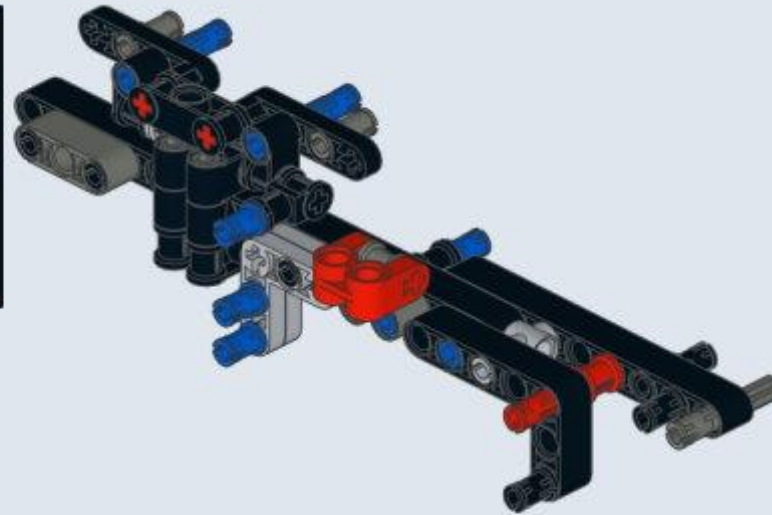




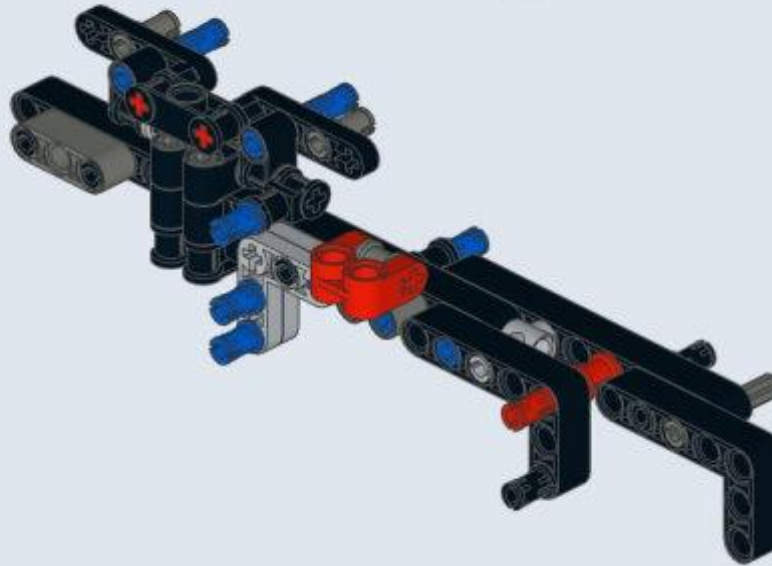
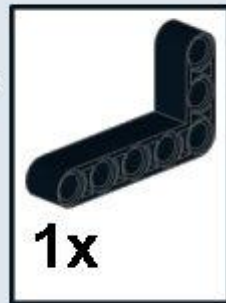




17

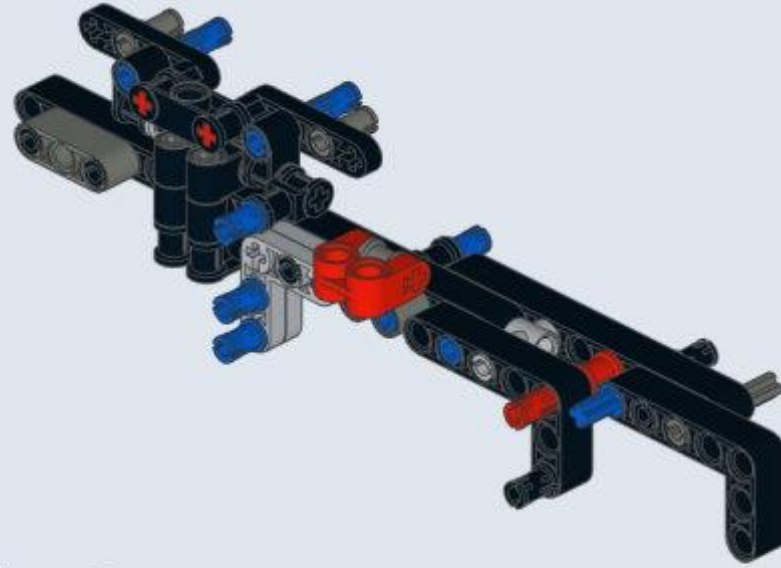


18

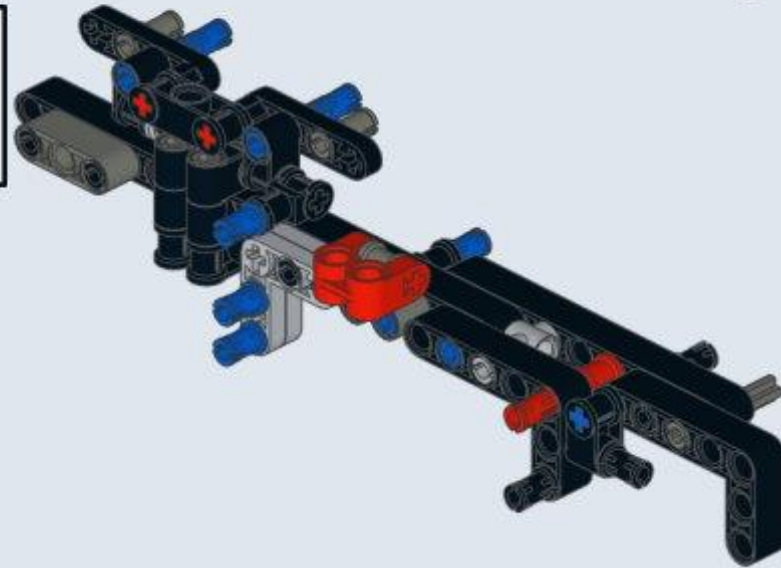




19   
1x

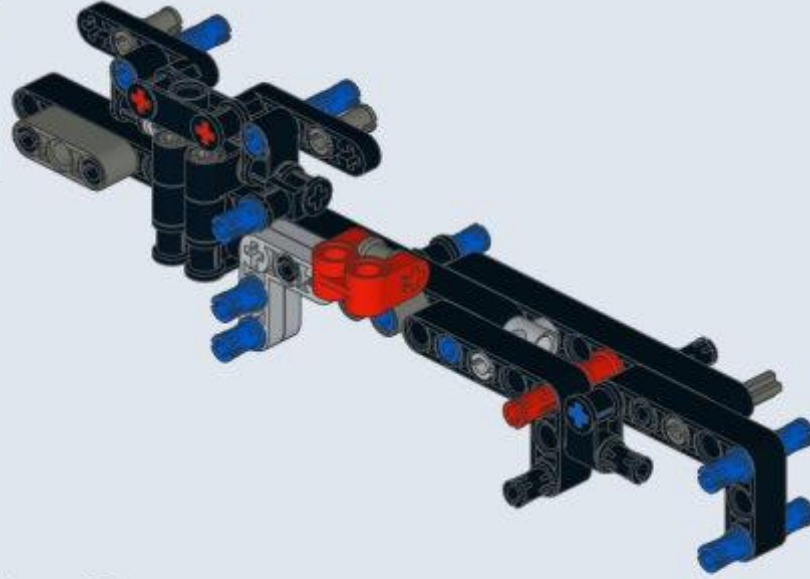


20   
1x 1x

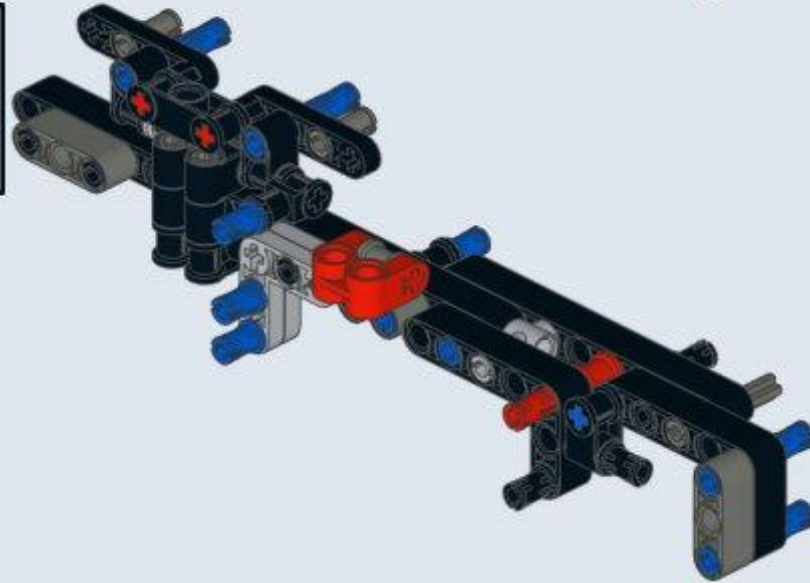




21   
2x

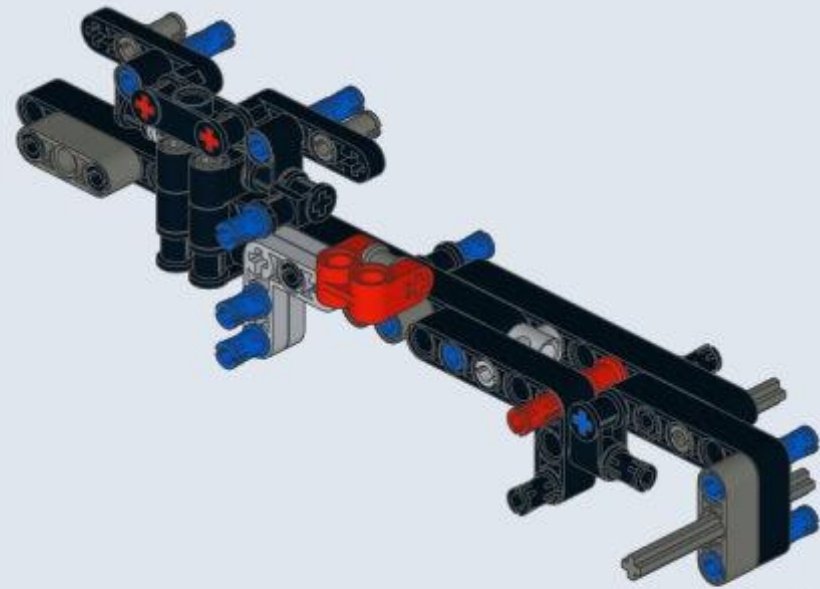




22   
1x

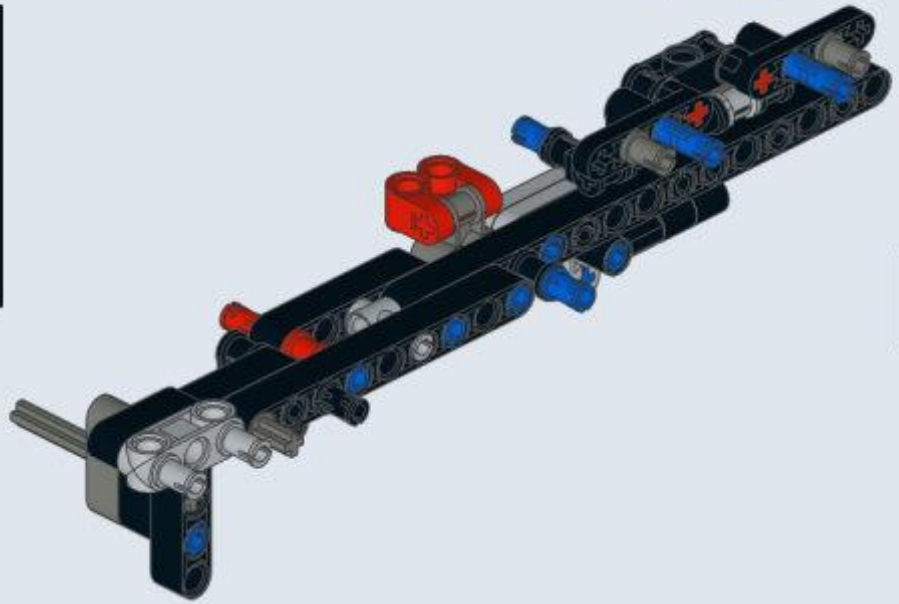




**23**   
**1x**

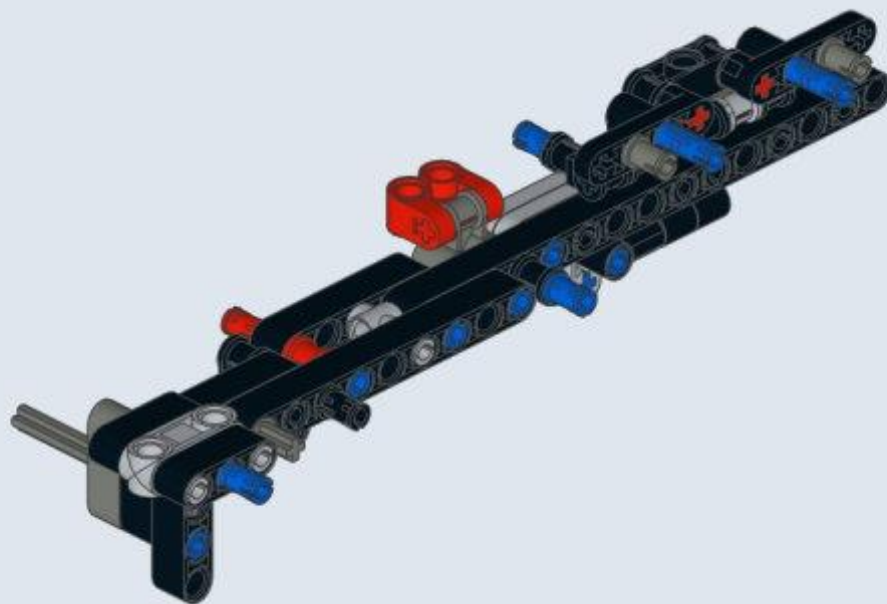


**24**    
**1x**      **1x**



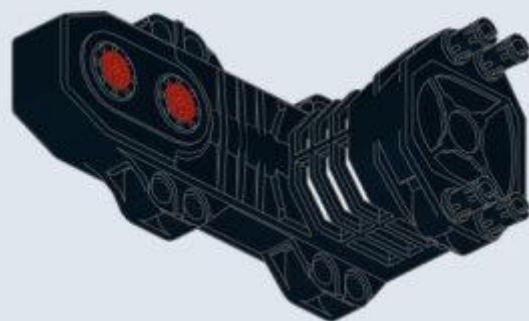
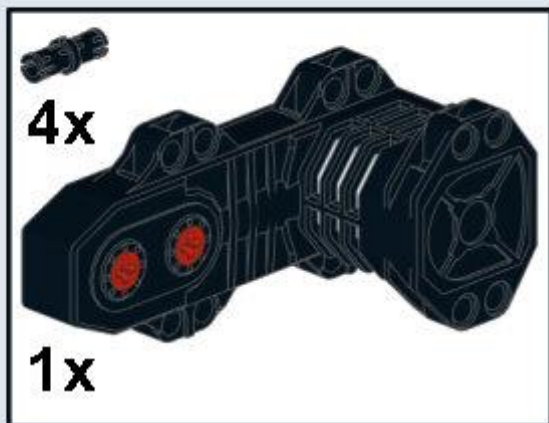


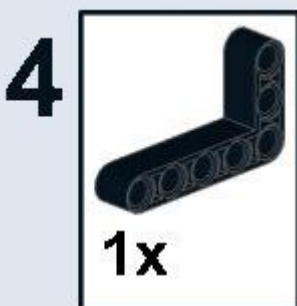
25

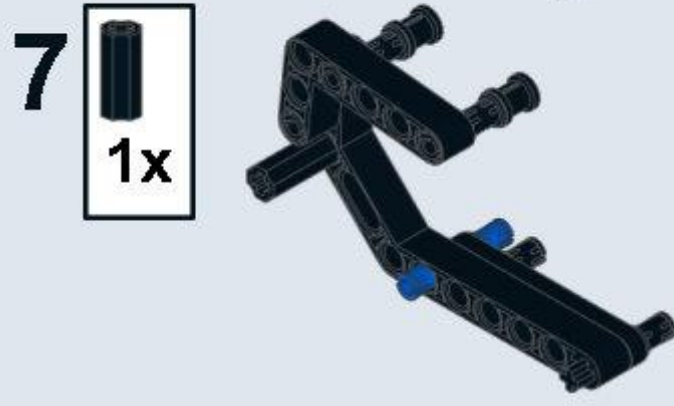




1

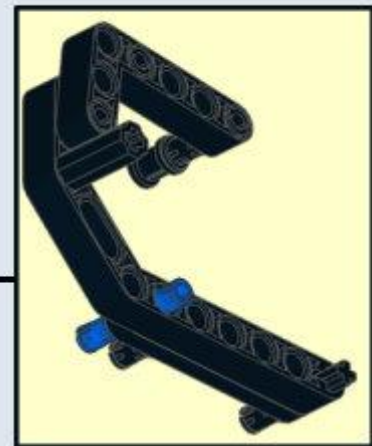
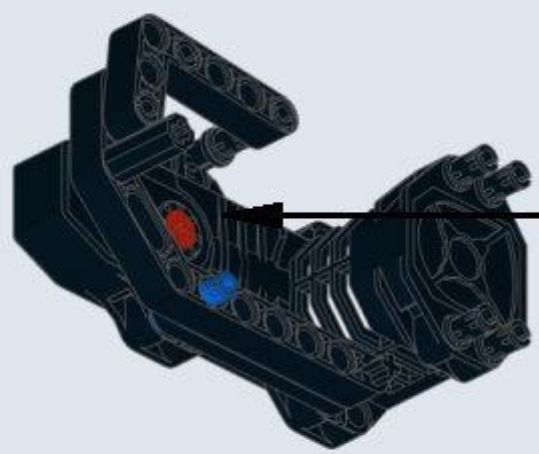




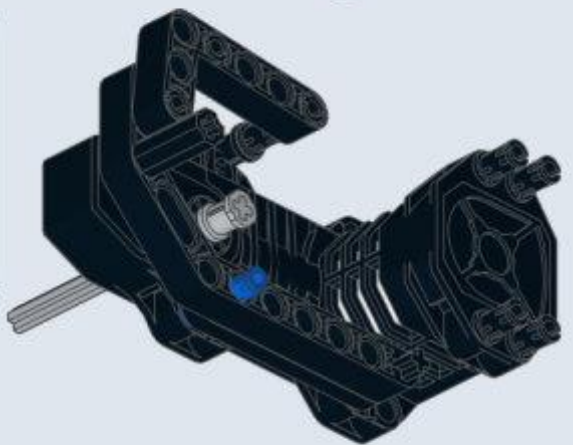




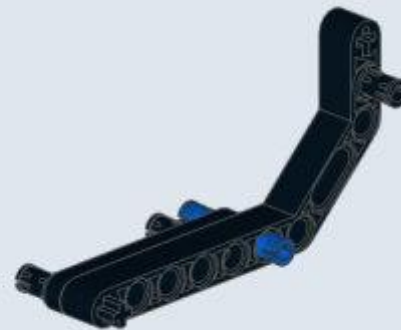
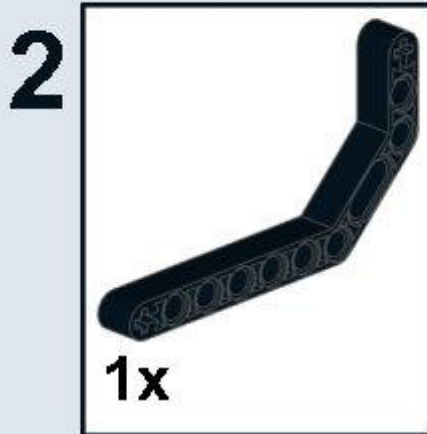
**2**

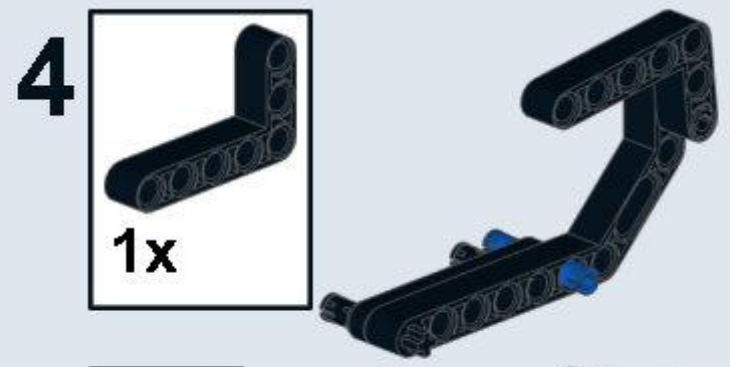


**3**



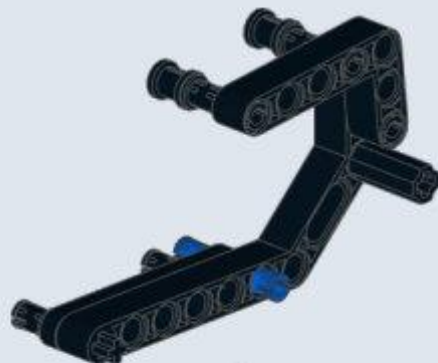






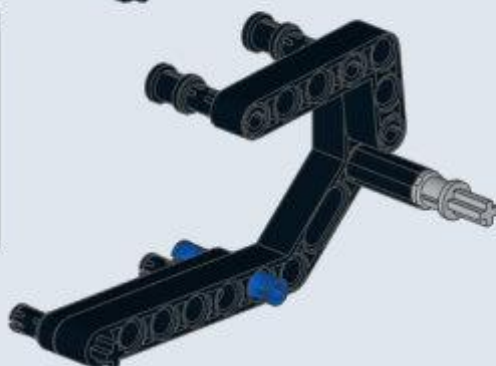




7   
1x

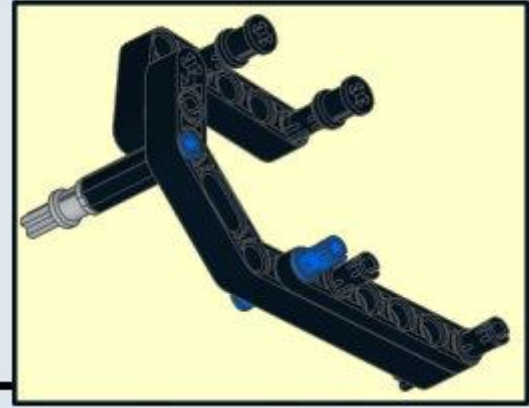
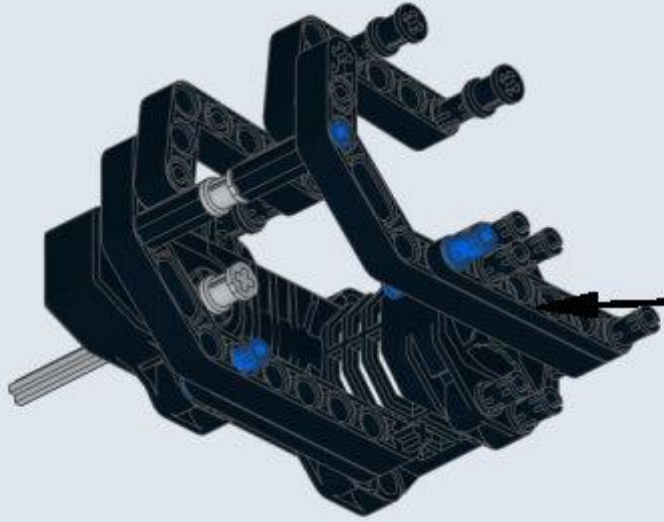


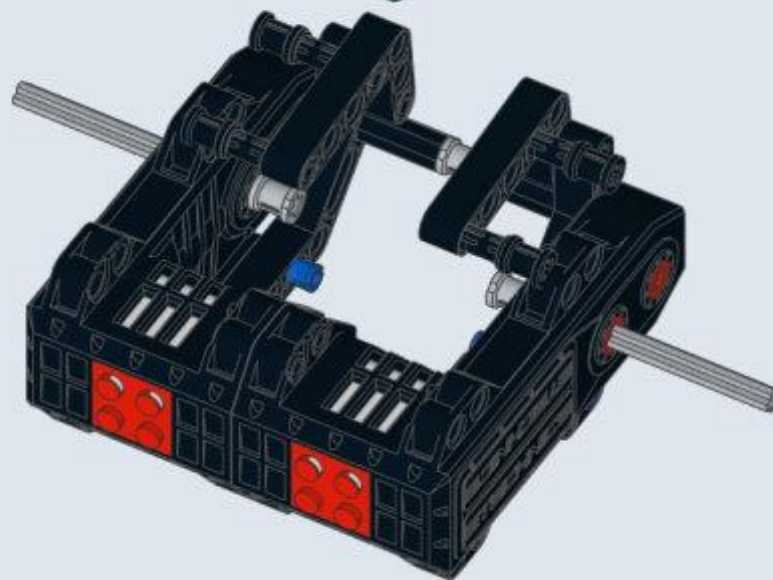
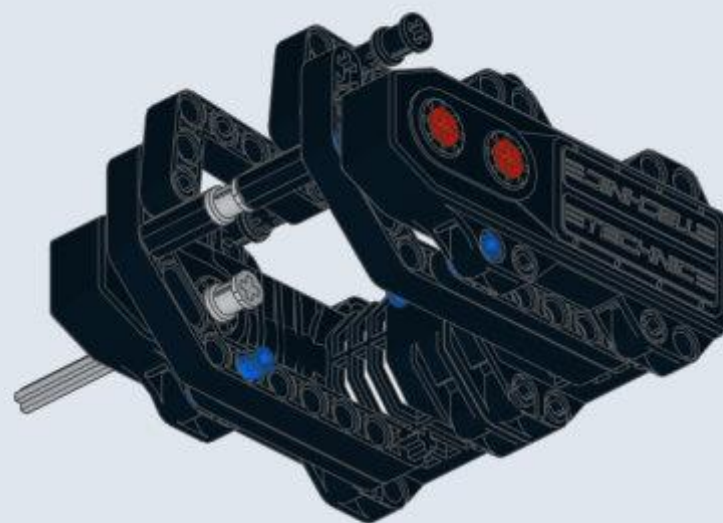
8    
1x 1x



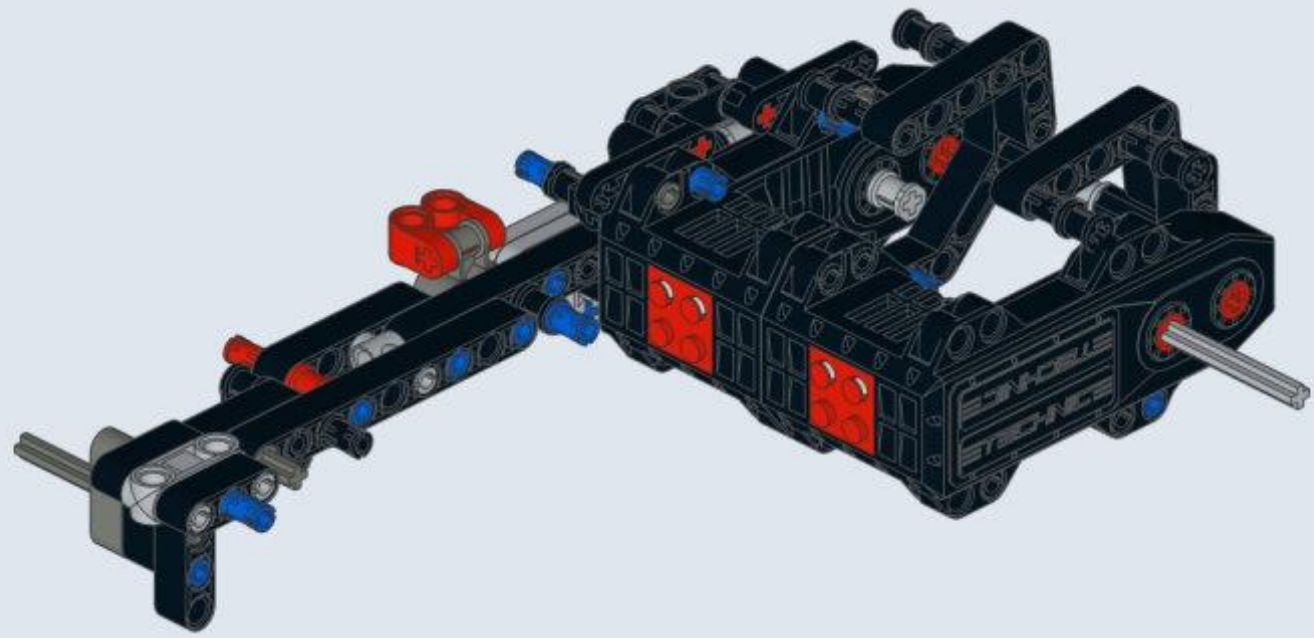


4



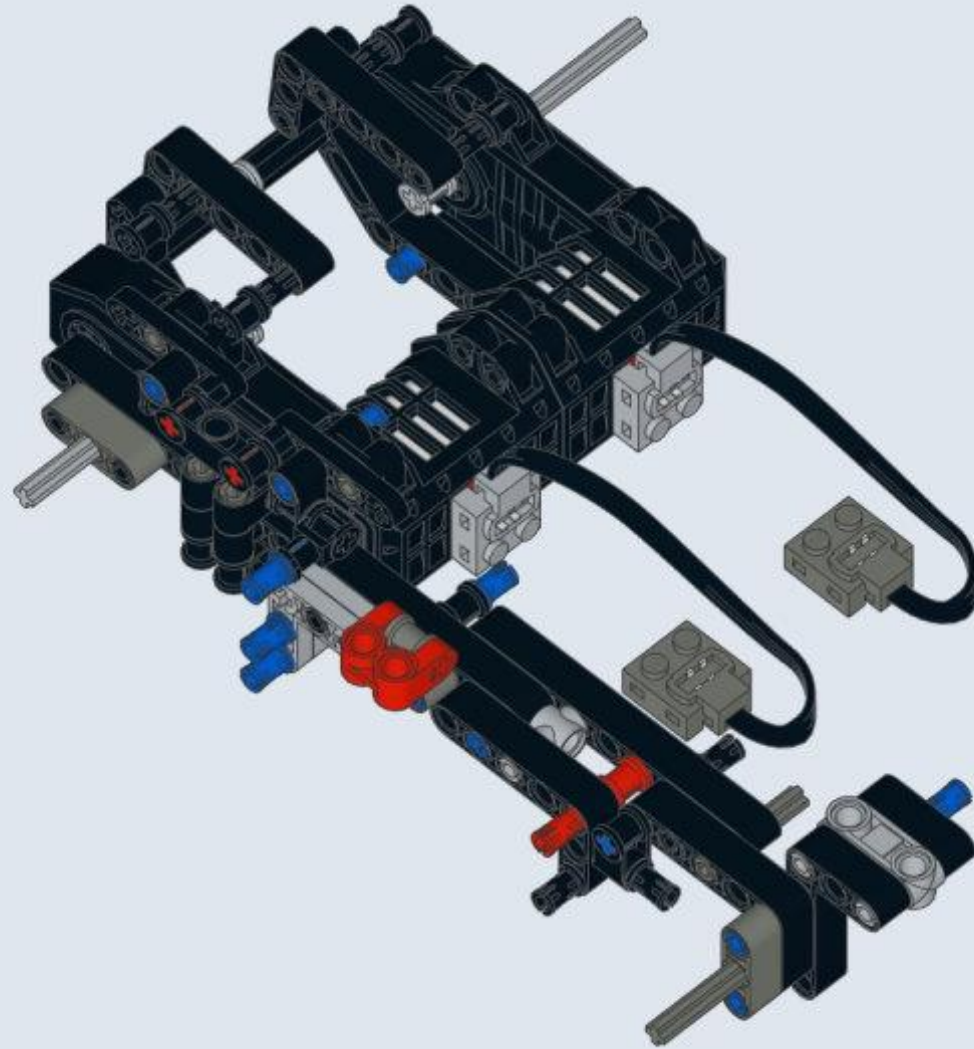






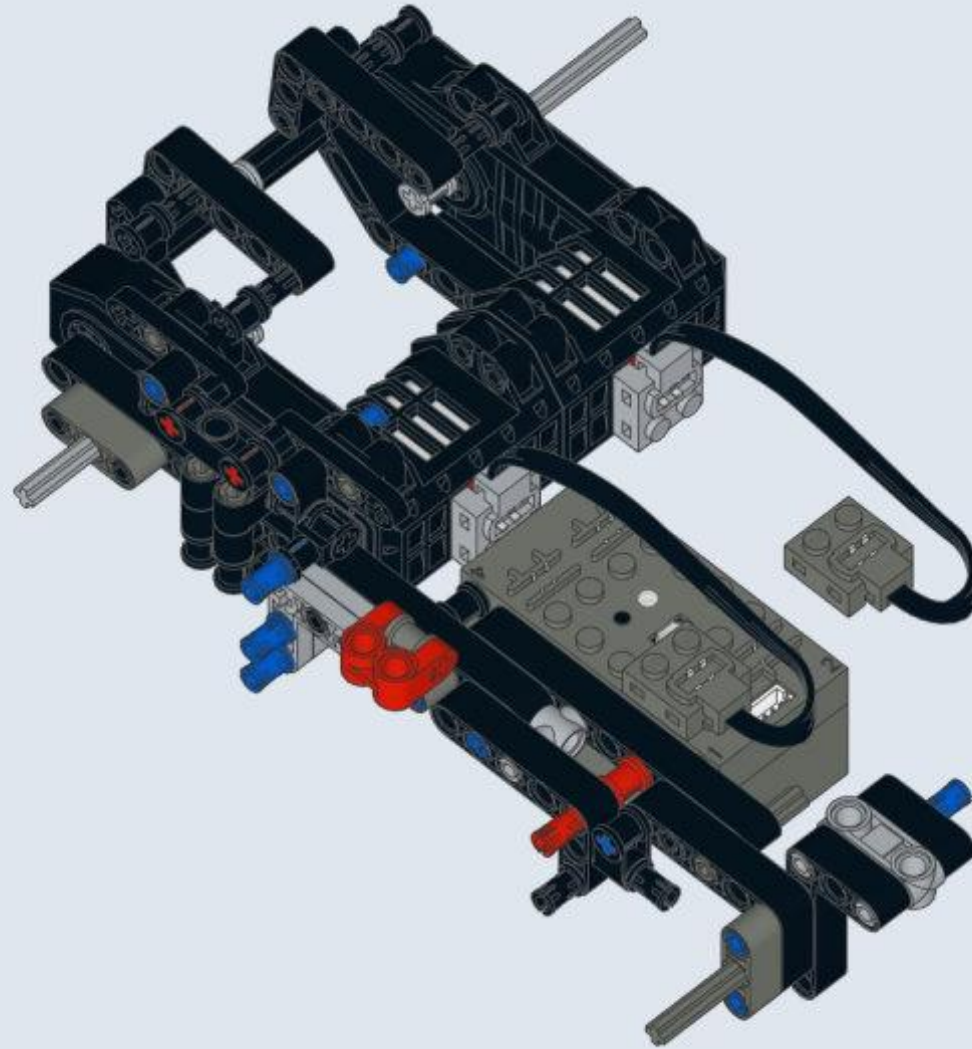
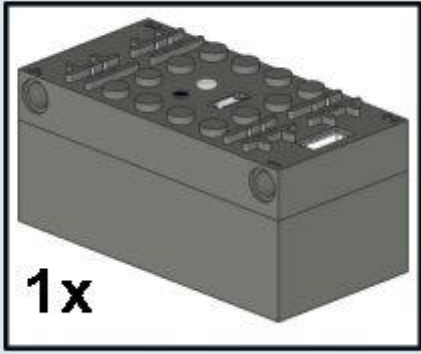


27

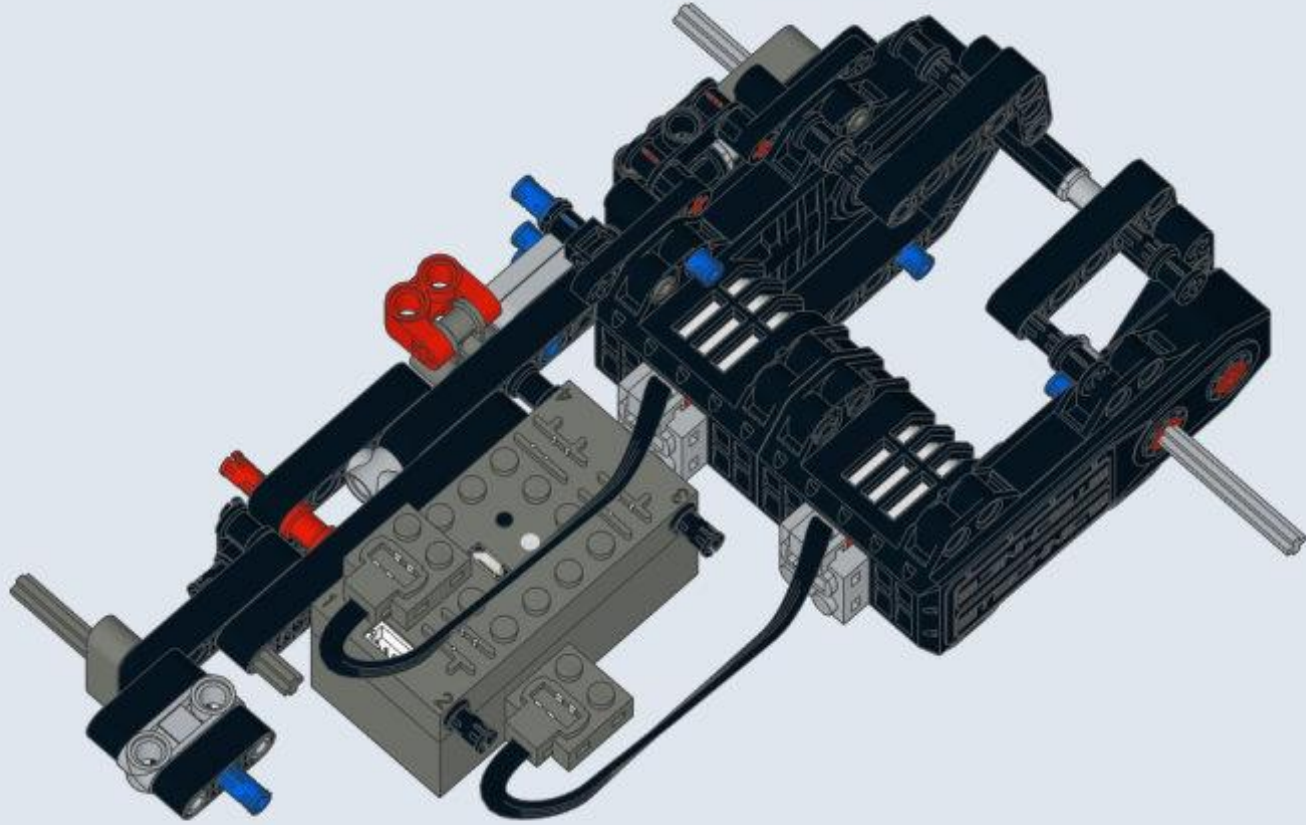




28



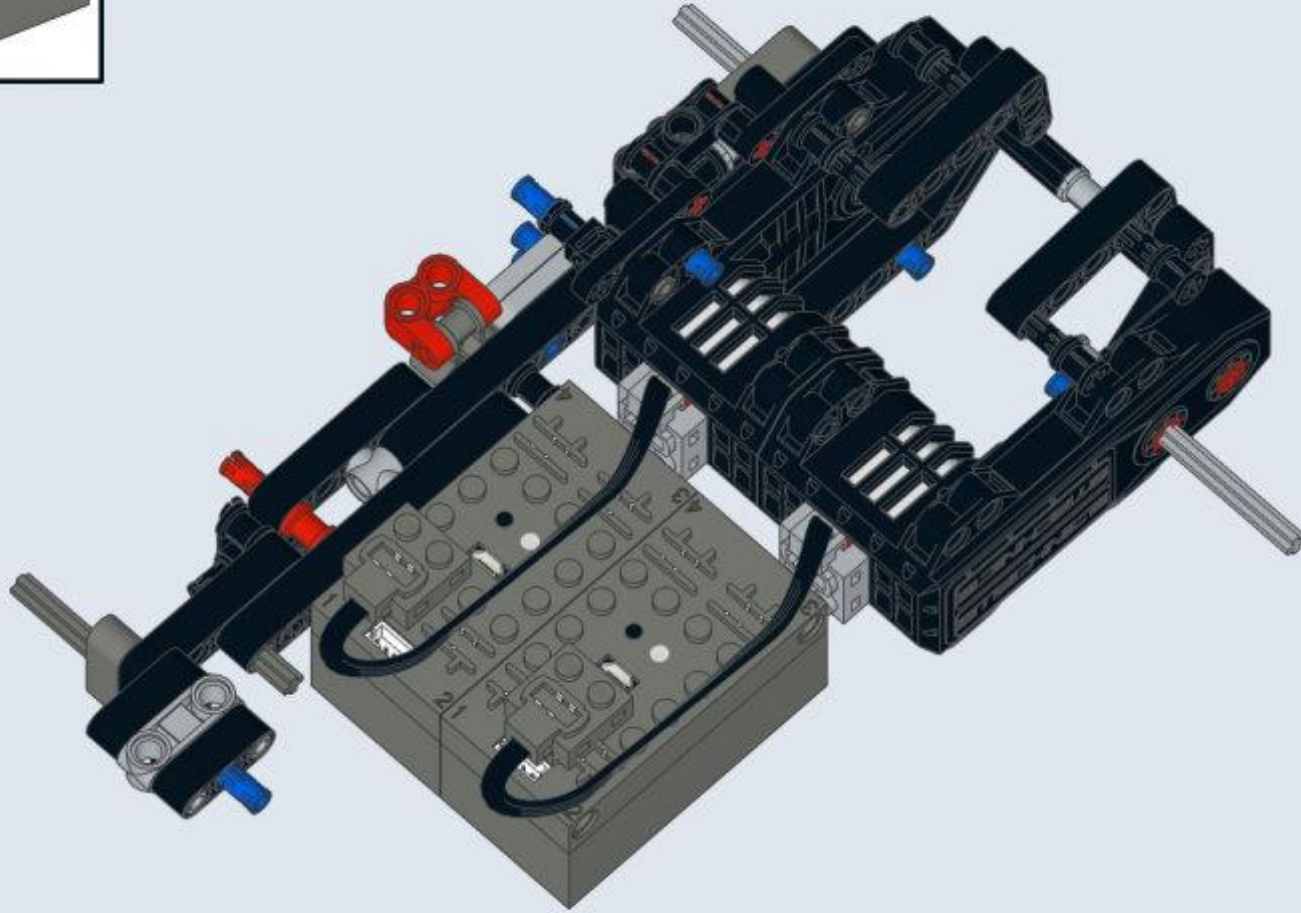
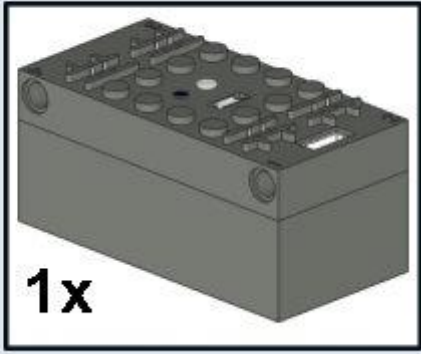
29







30









4



1

6

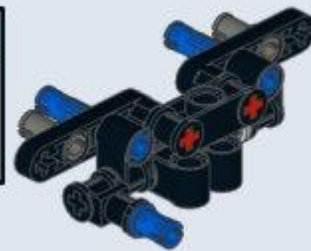
1x 1x 1x

2

3x

5

1x 1x

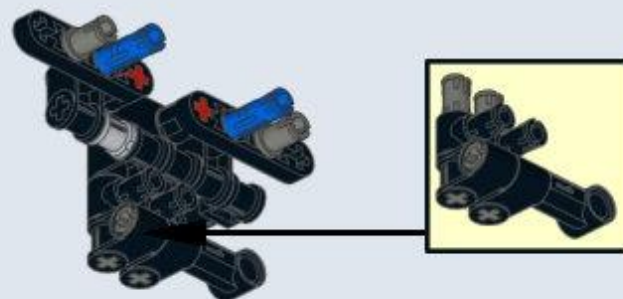




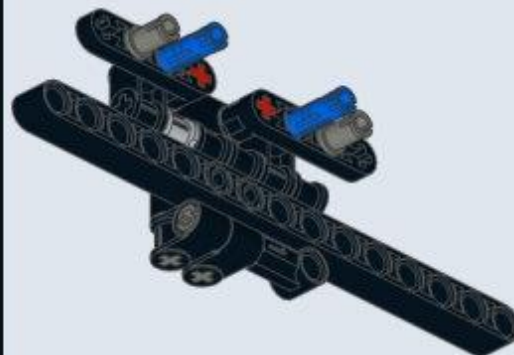
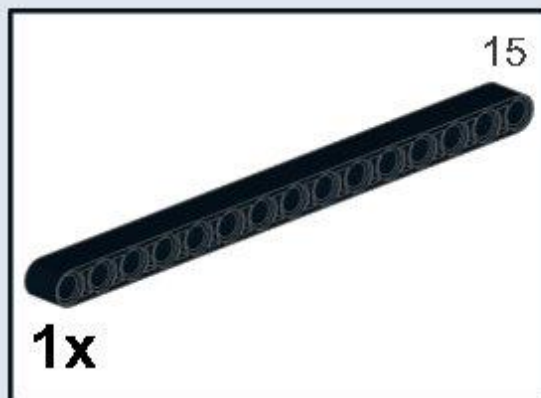
- 1  **1x 2x** 
- 2  **1x** 
- 3  **2x** 
- 4  **2x** 



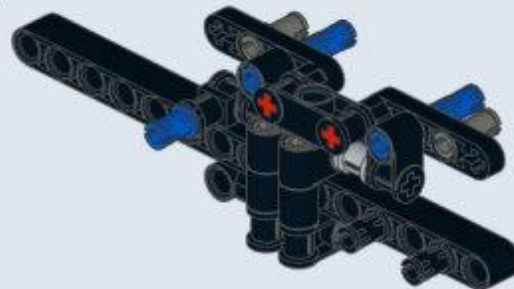
6



7

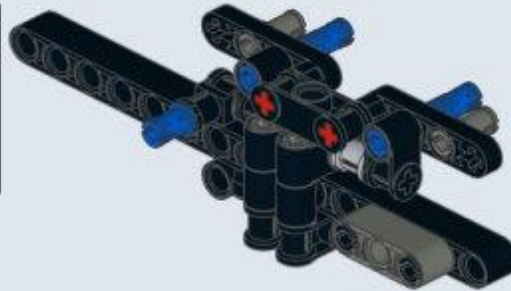


8

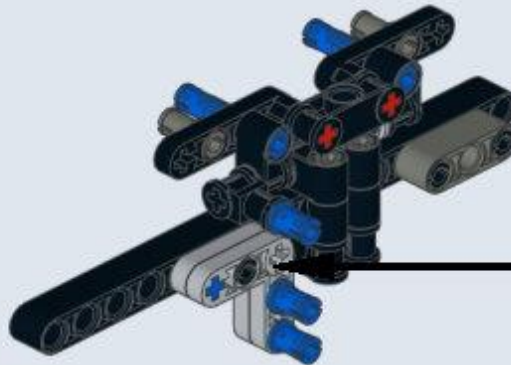




9



10



1

2x 1x 1x

2

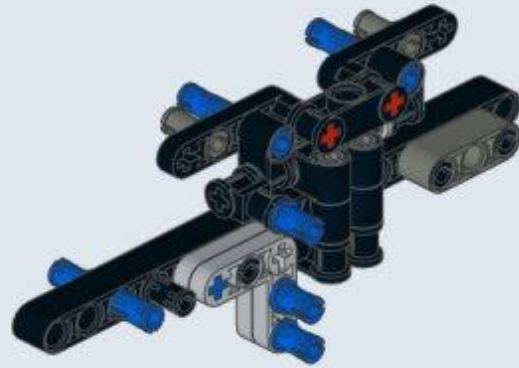
1x 1x



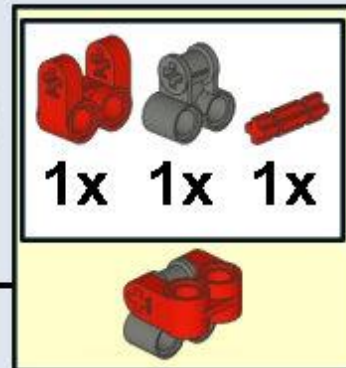
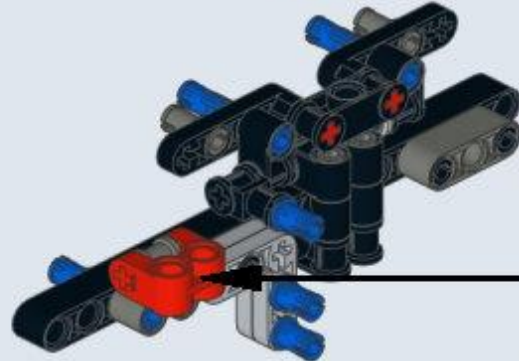
11



1x  
1x



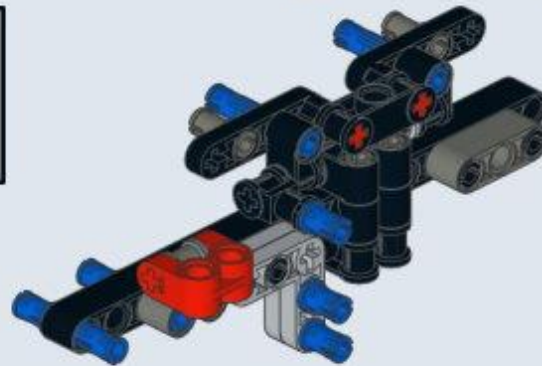
12



13

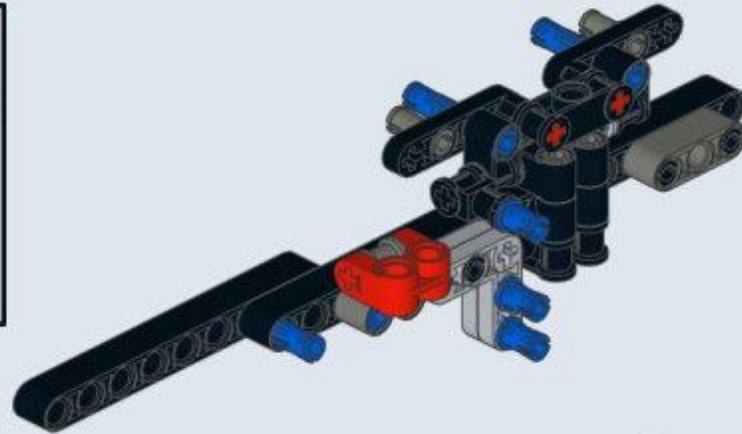
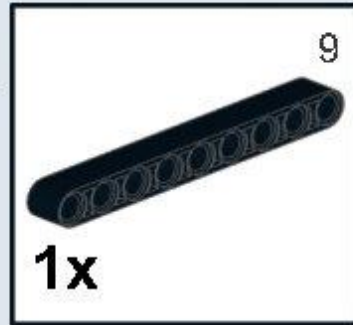


1x

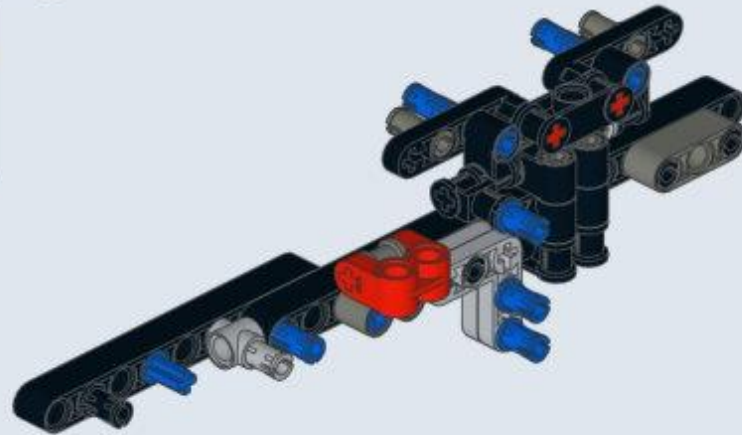




14



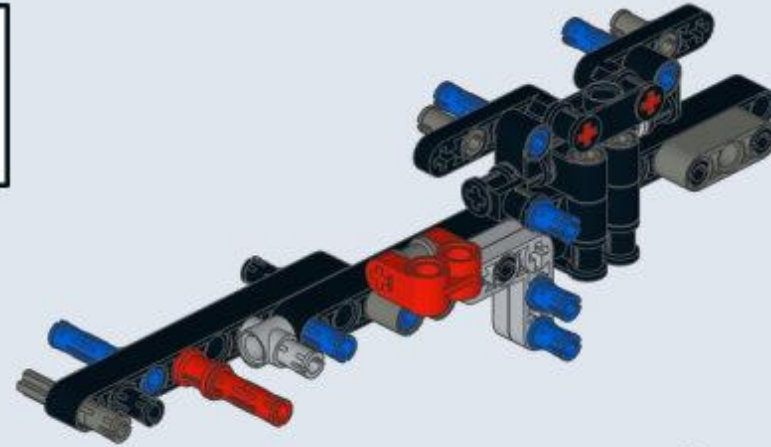
15



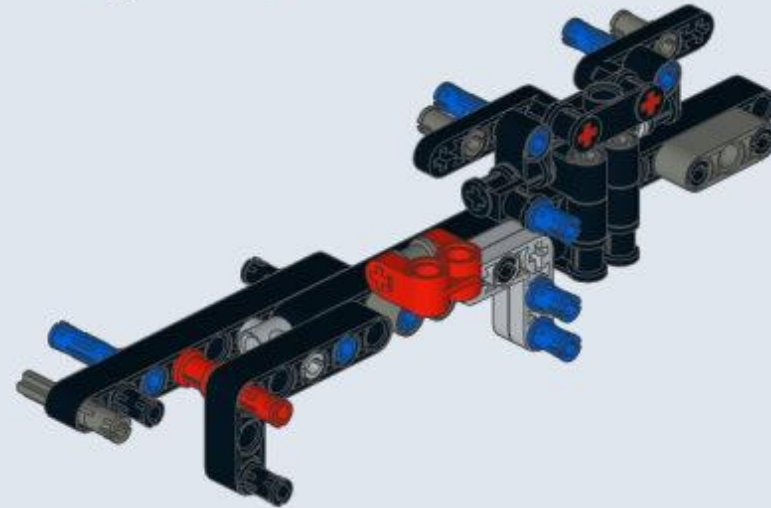
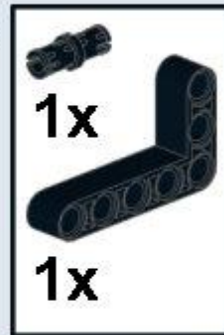




16

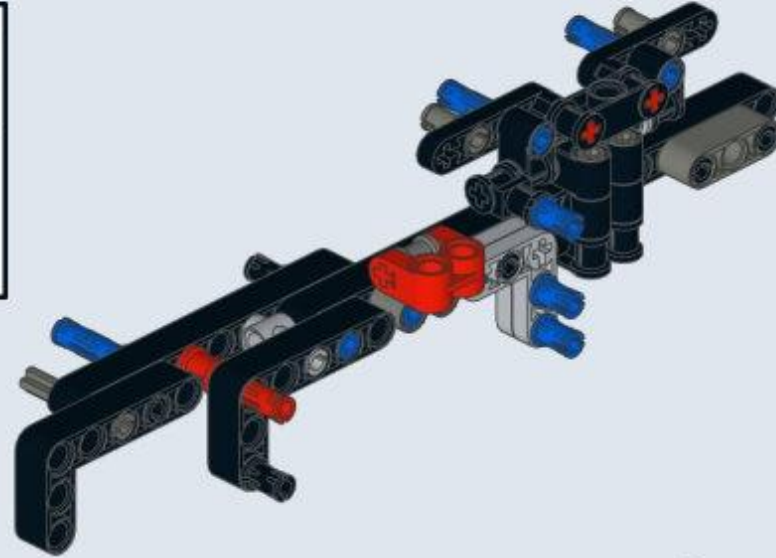
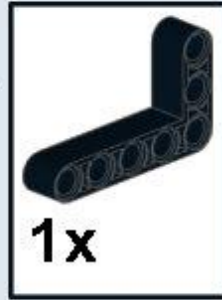


17

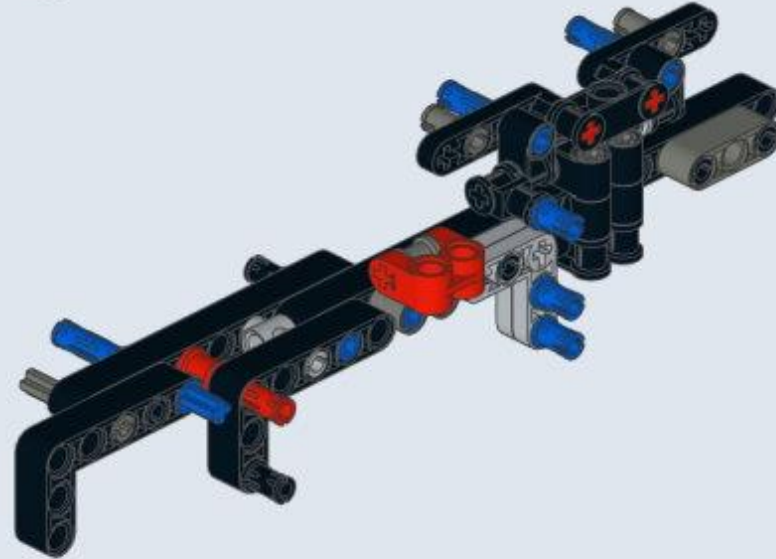




18

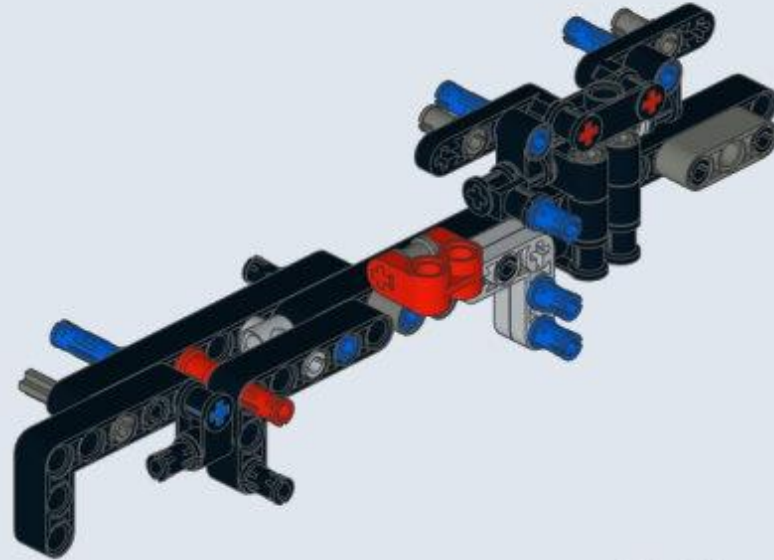


19

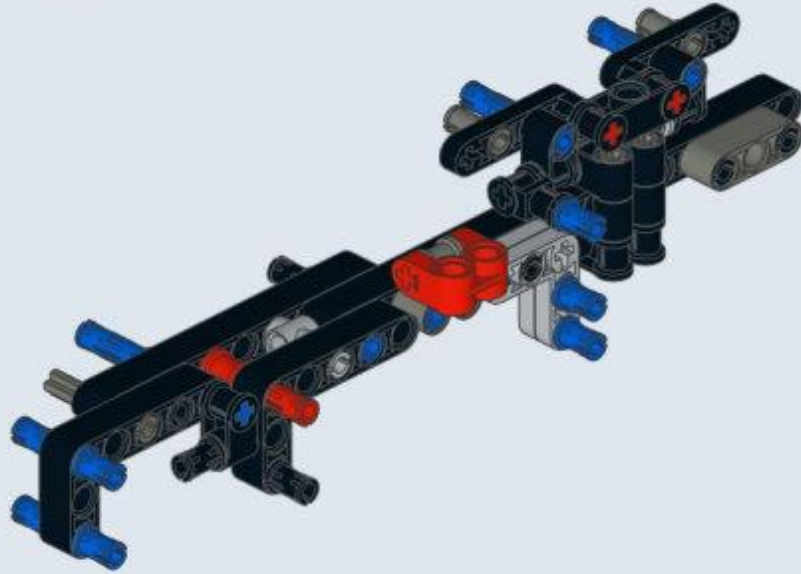




20

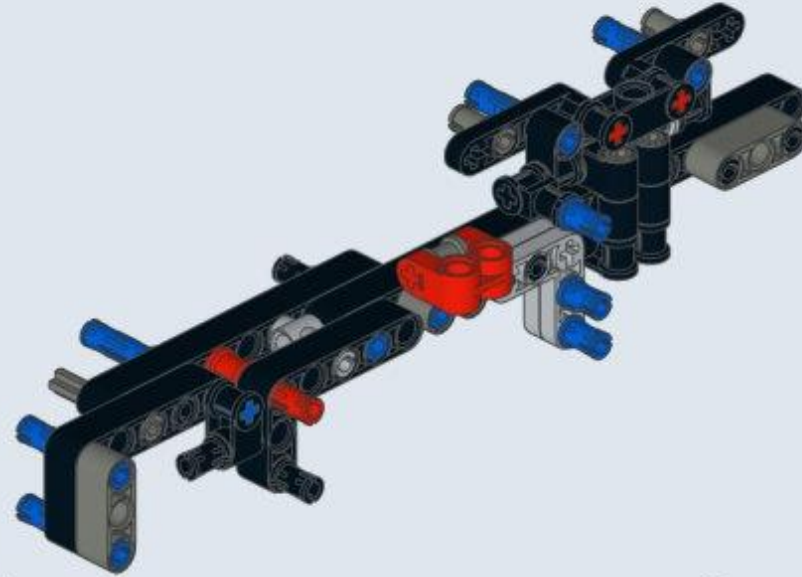


21

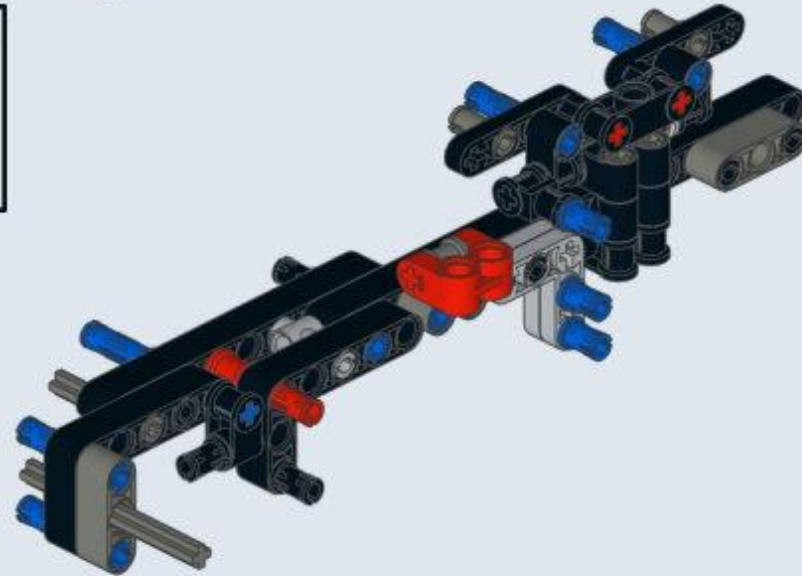


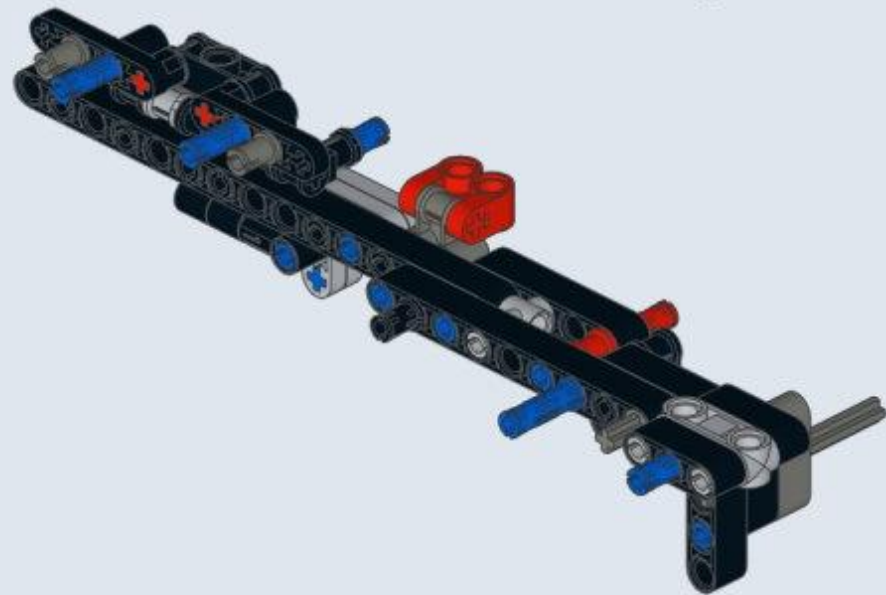
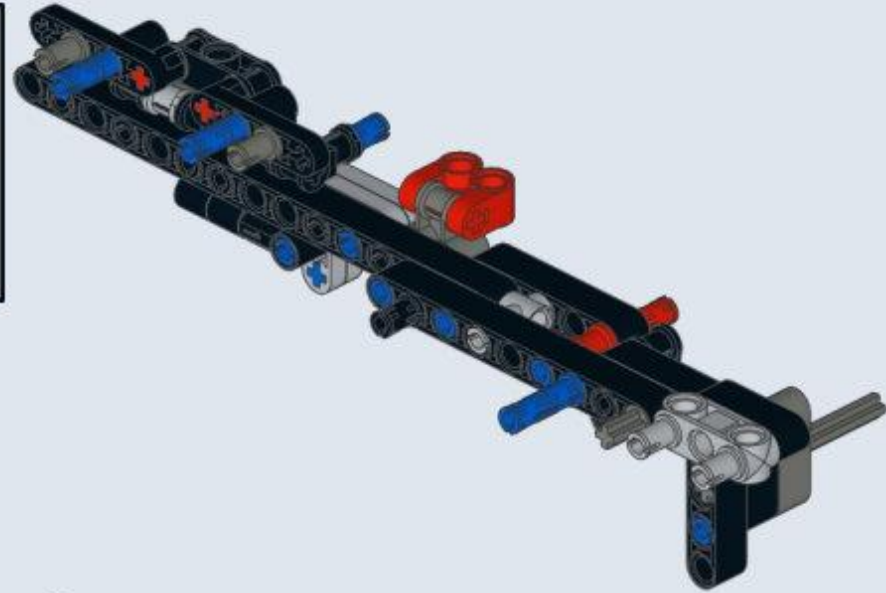
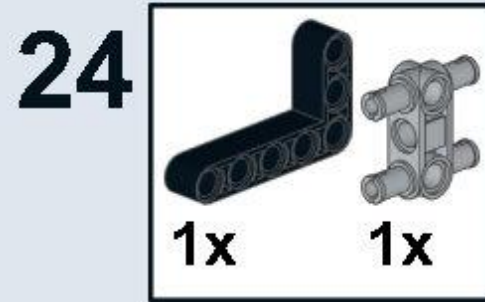


**22**



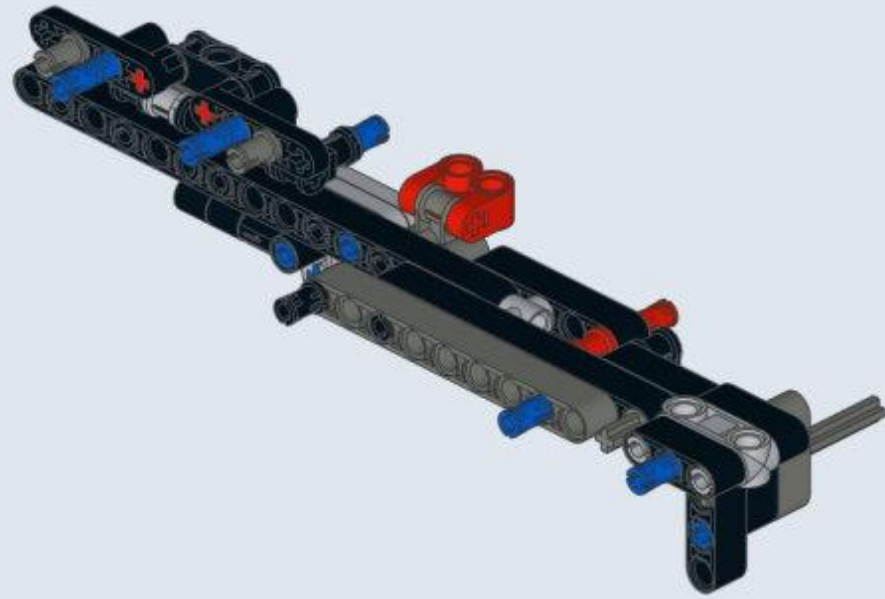
**23**



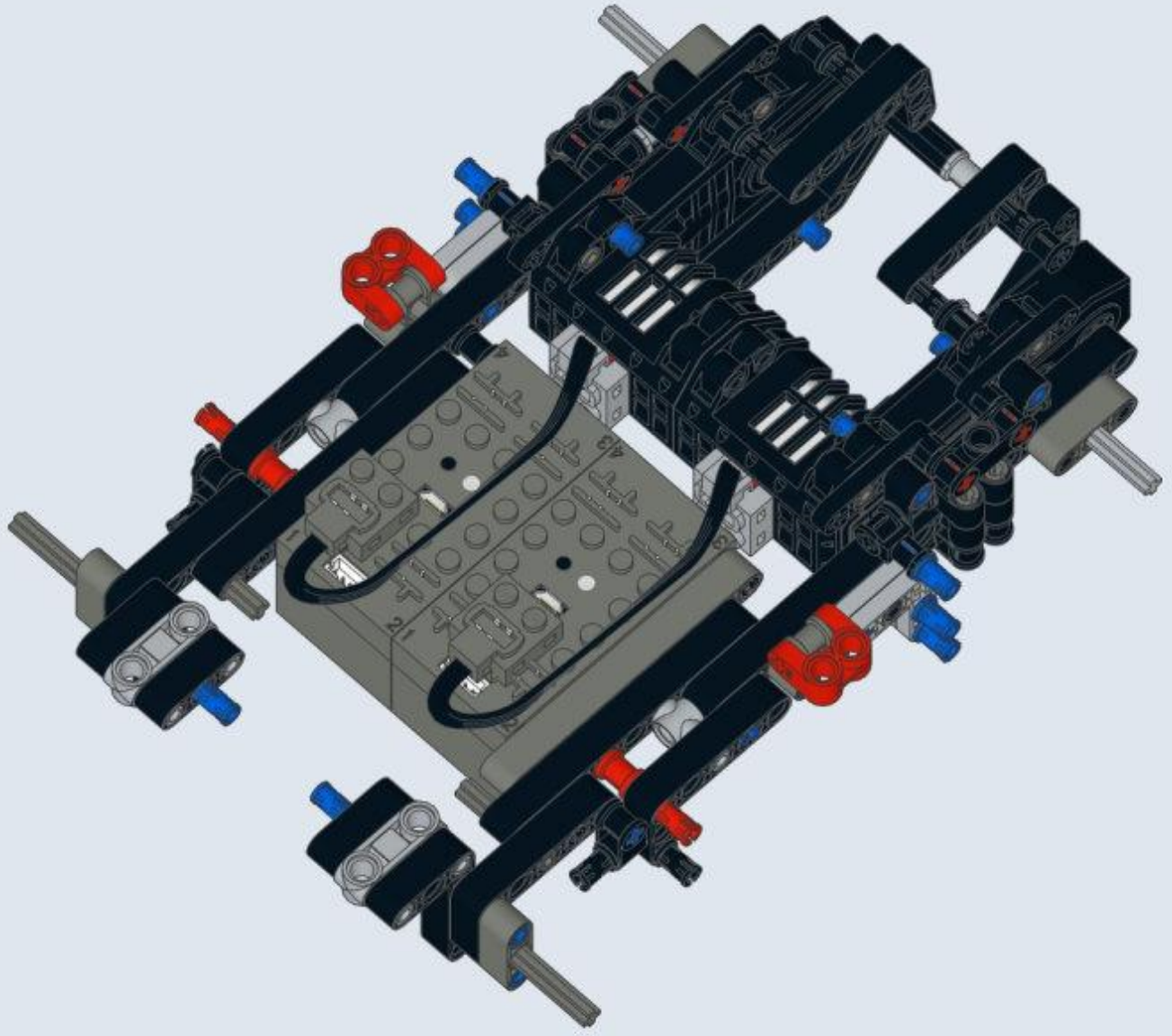


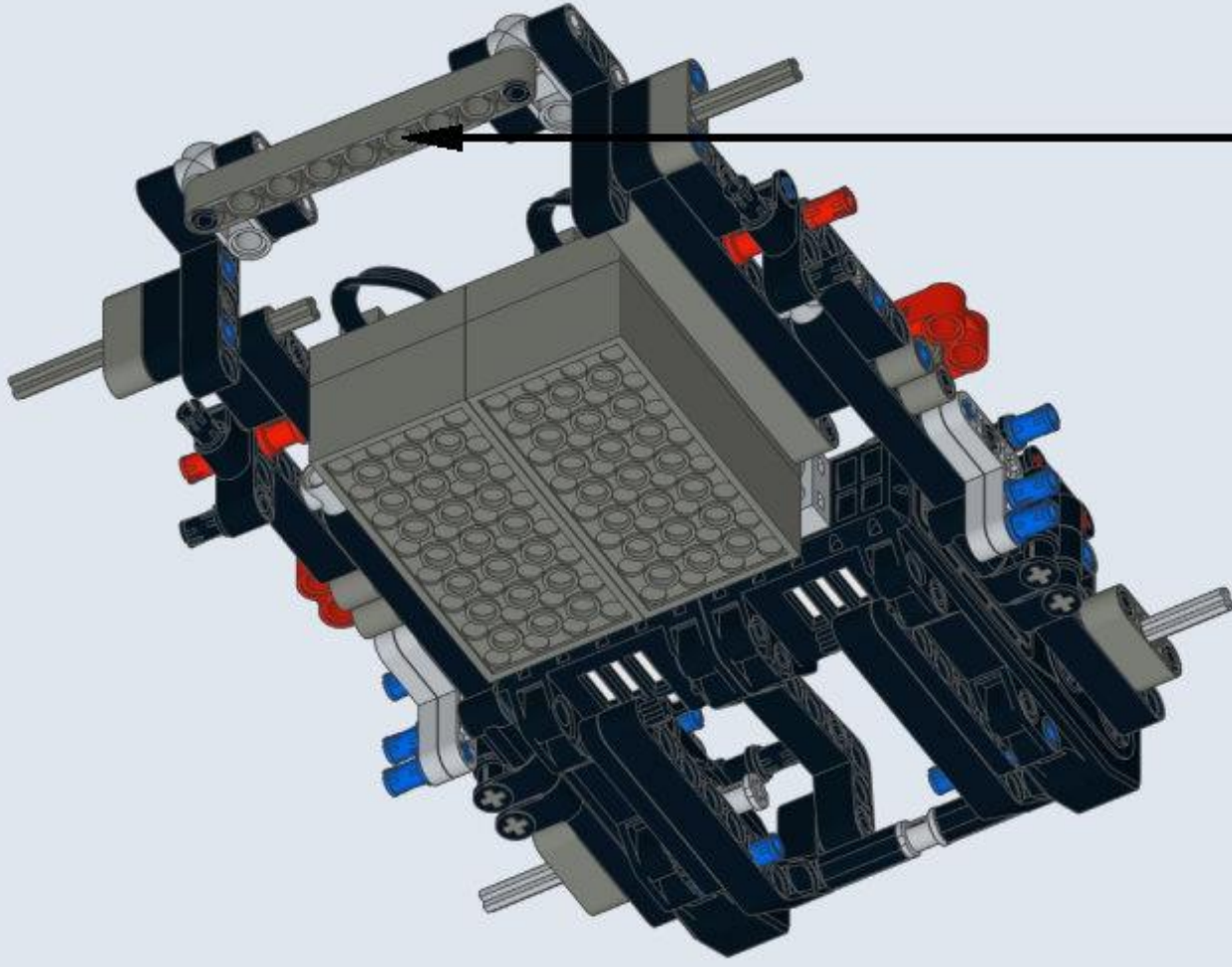


26





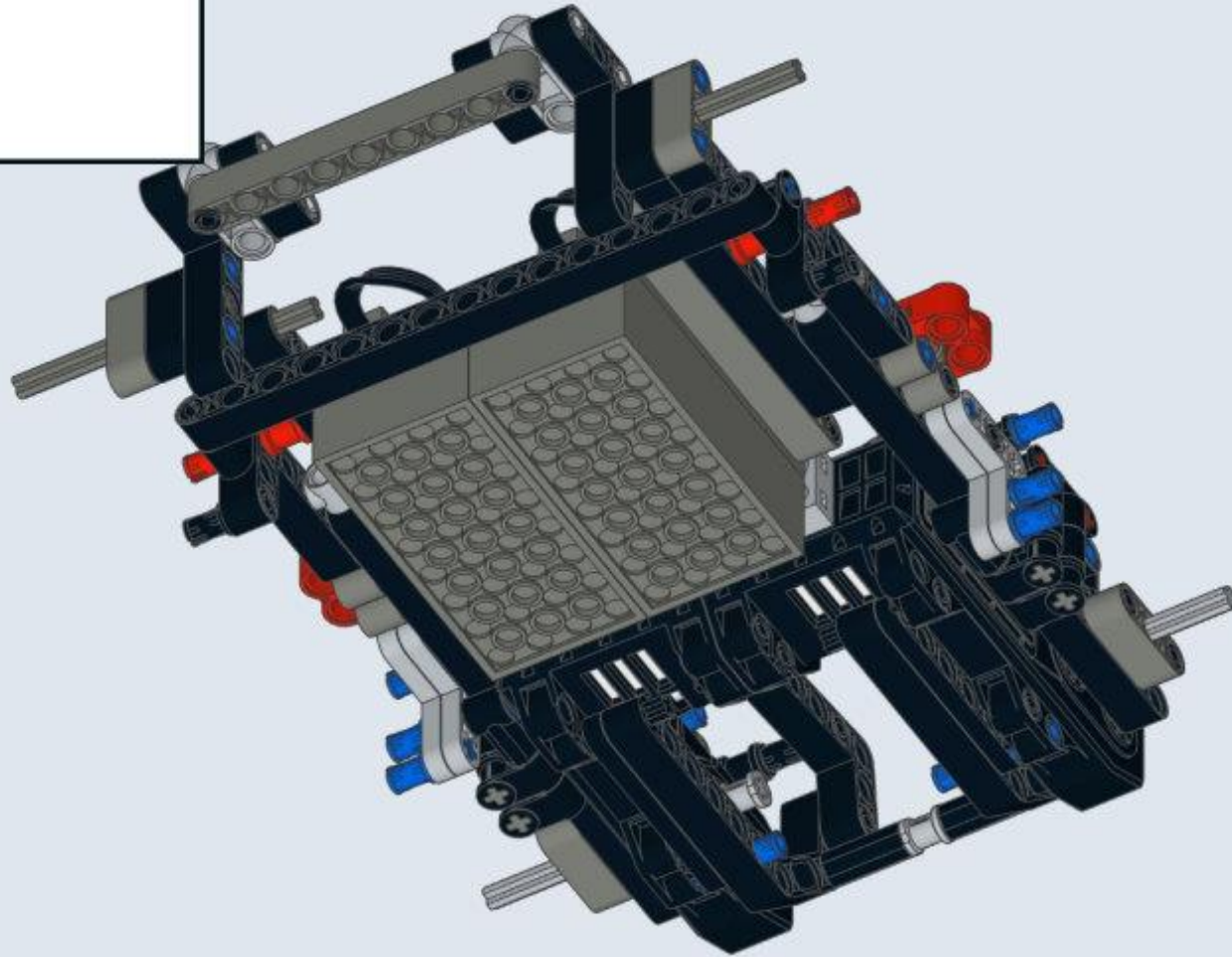
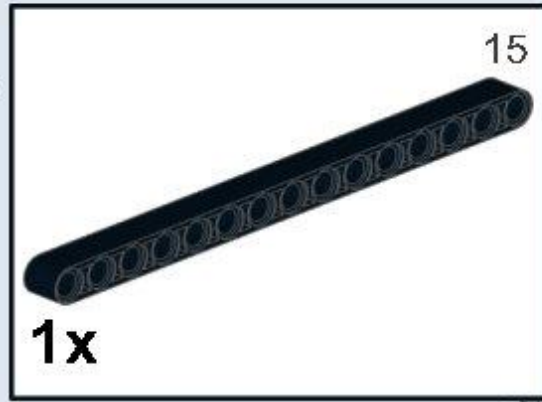




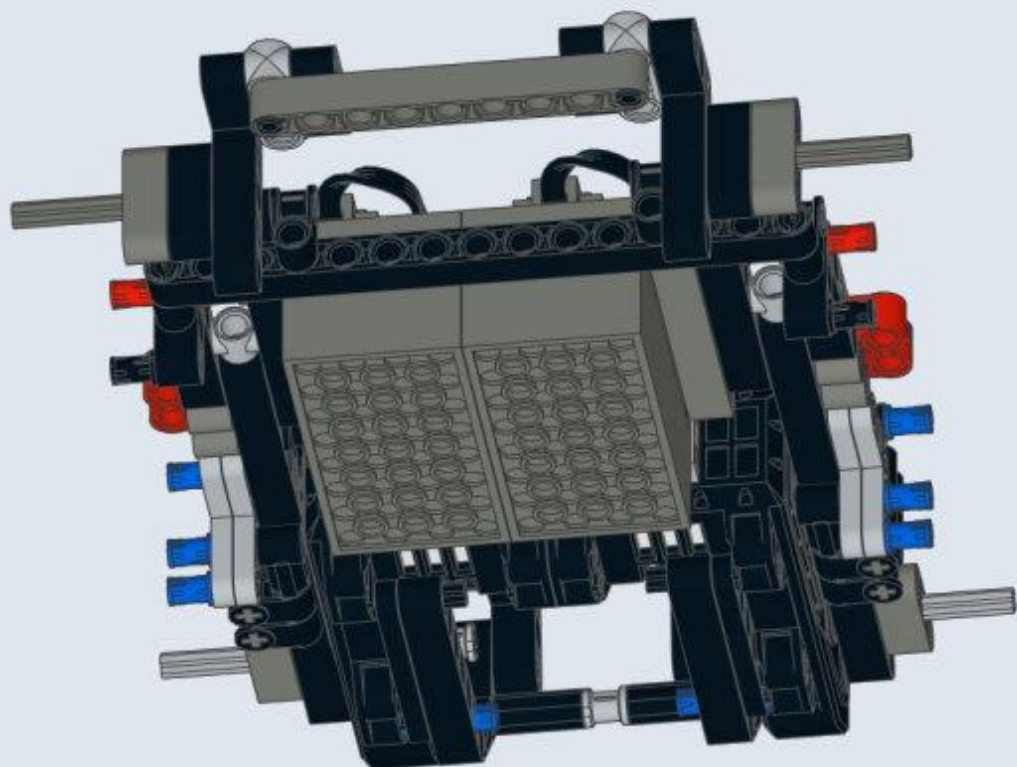
|    |    |
|----|----|
|    | 9  |
|    |    |
| 1x | 2x |
|    |    |



33

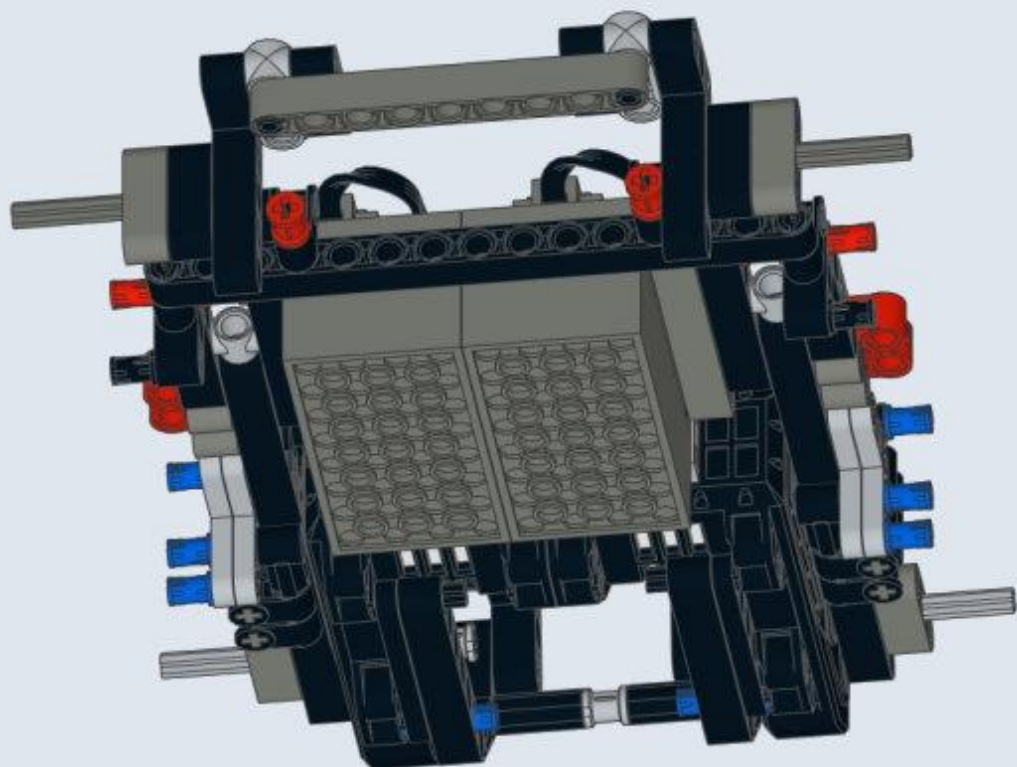


34



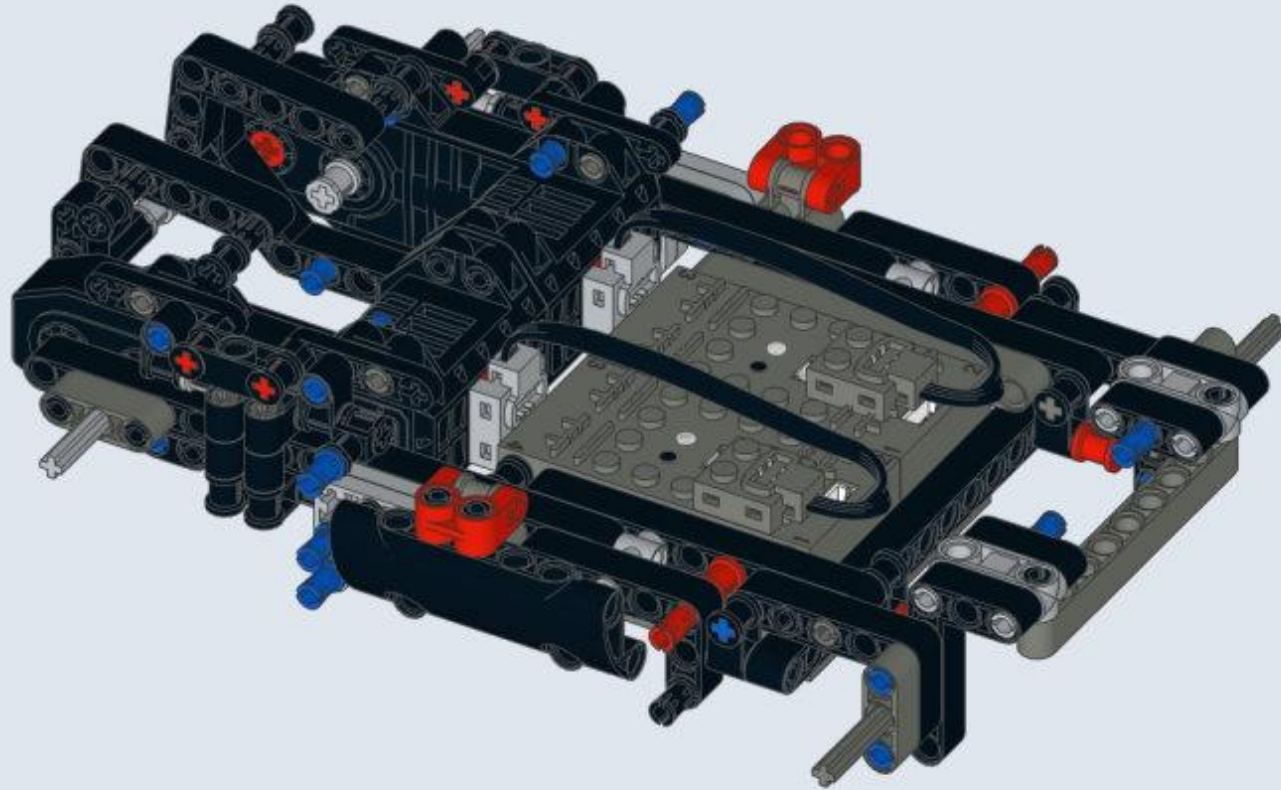
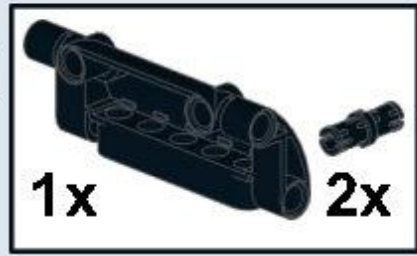


35





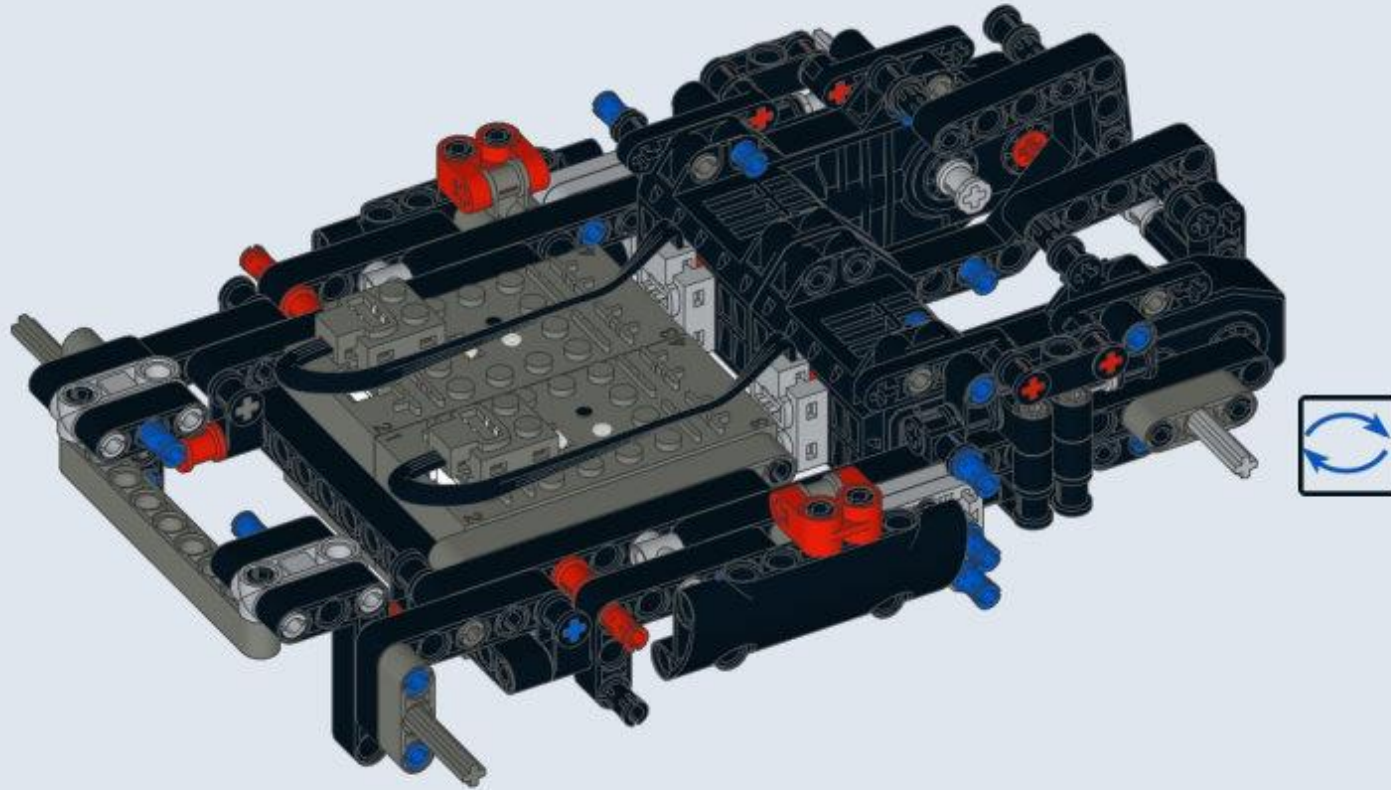
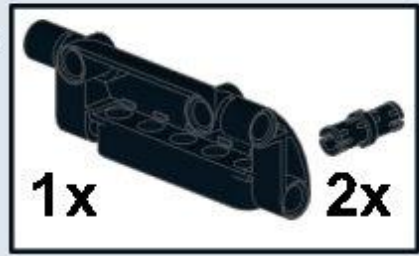
36

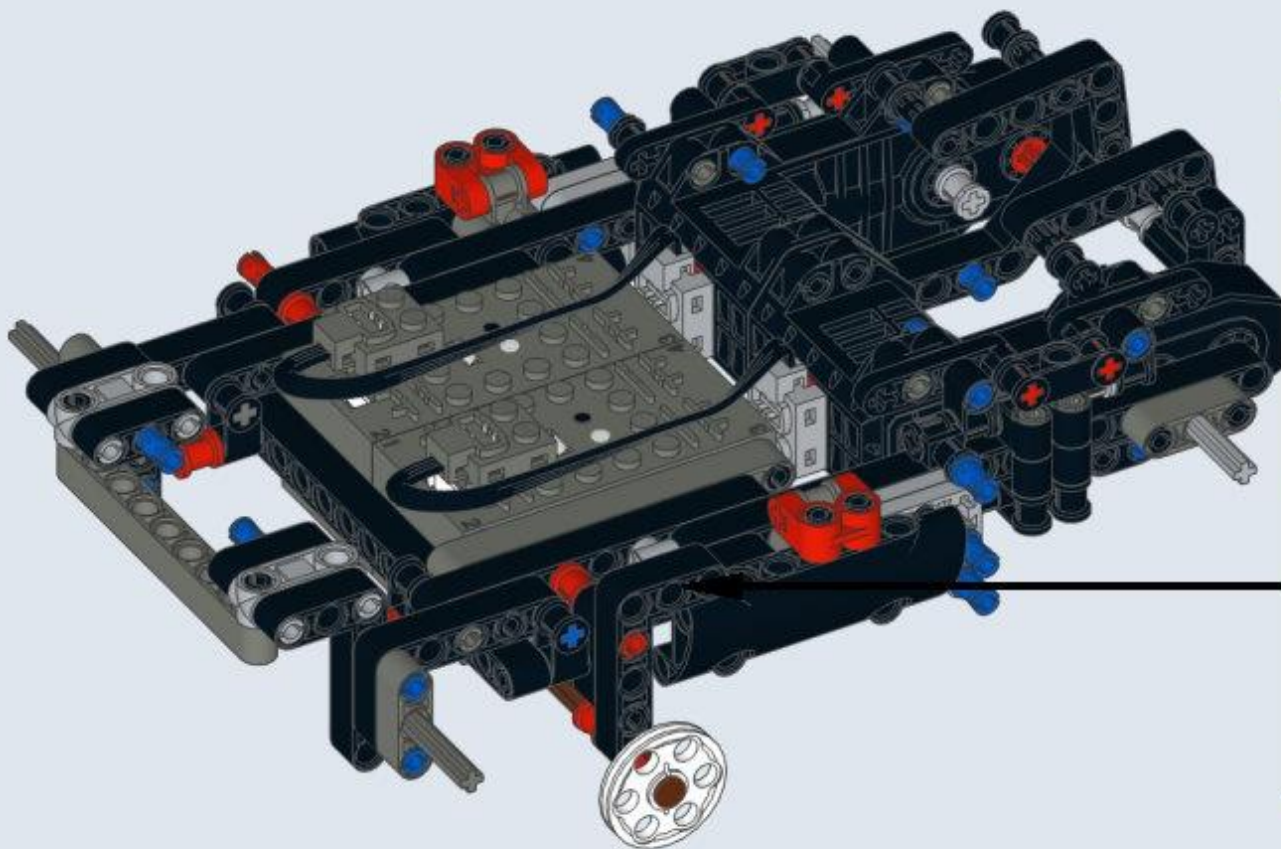











37



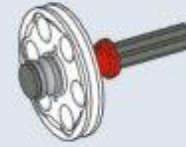
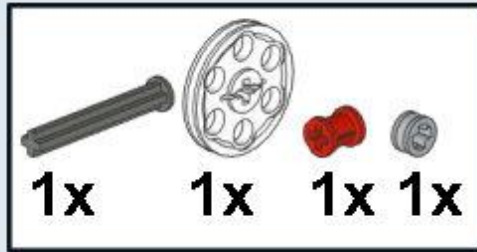


|   |   |
|---|---|
|  |  |
| <b>1x</b>   | <b>2x</b>   |
|  |  |
| <b>1x</b>   | <b>1x</b>   |

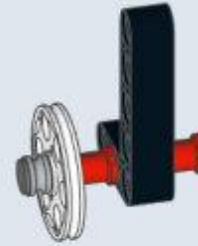
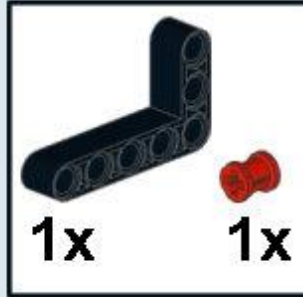




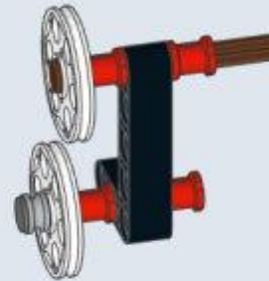
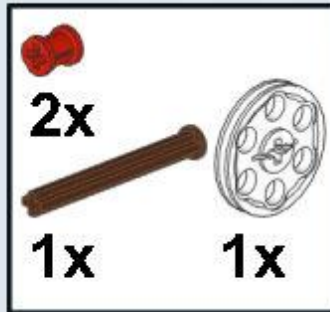
1

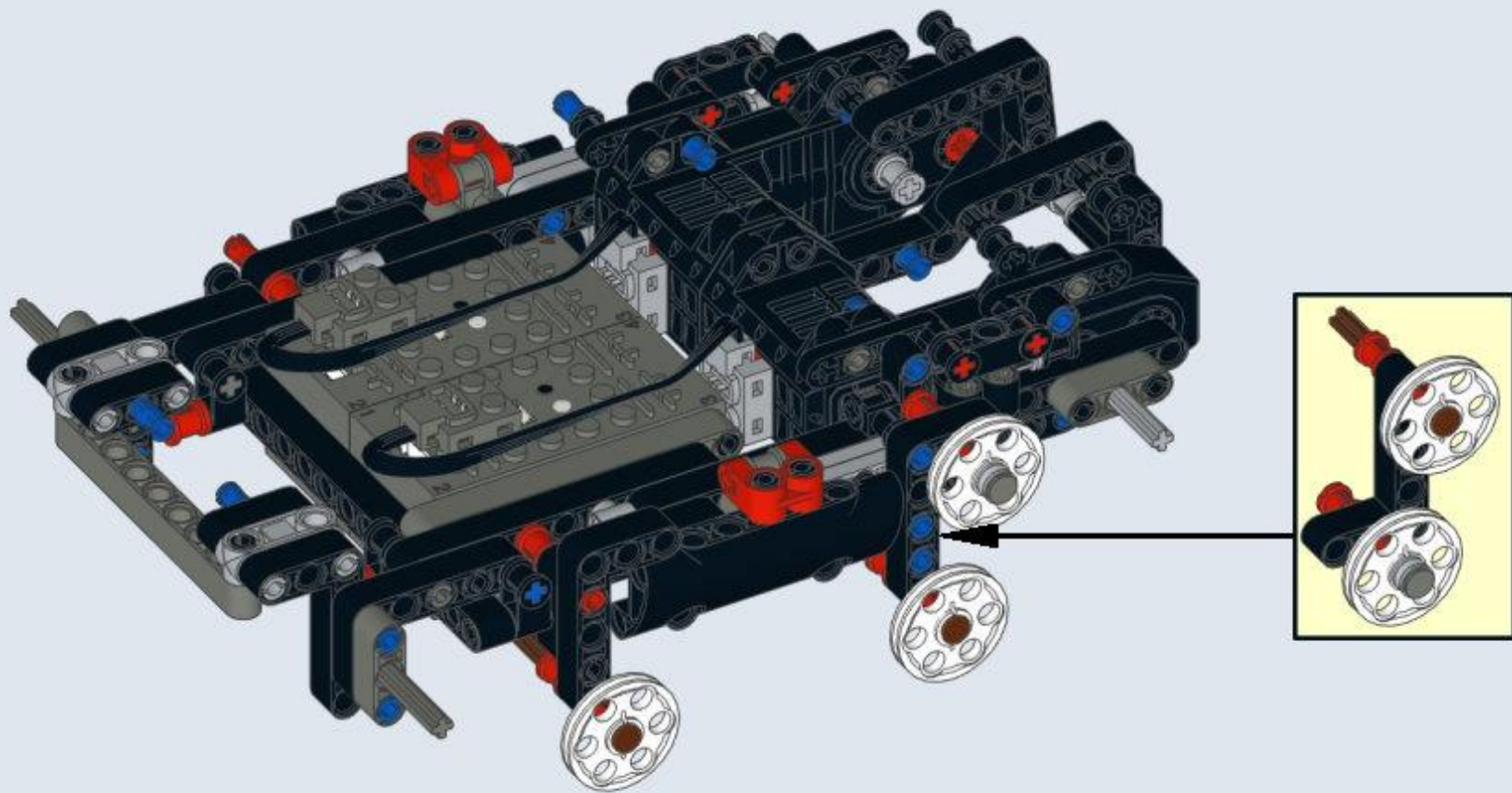


2

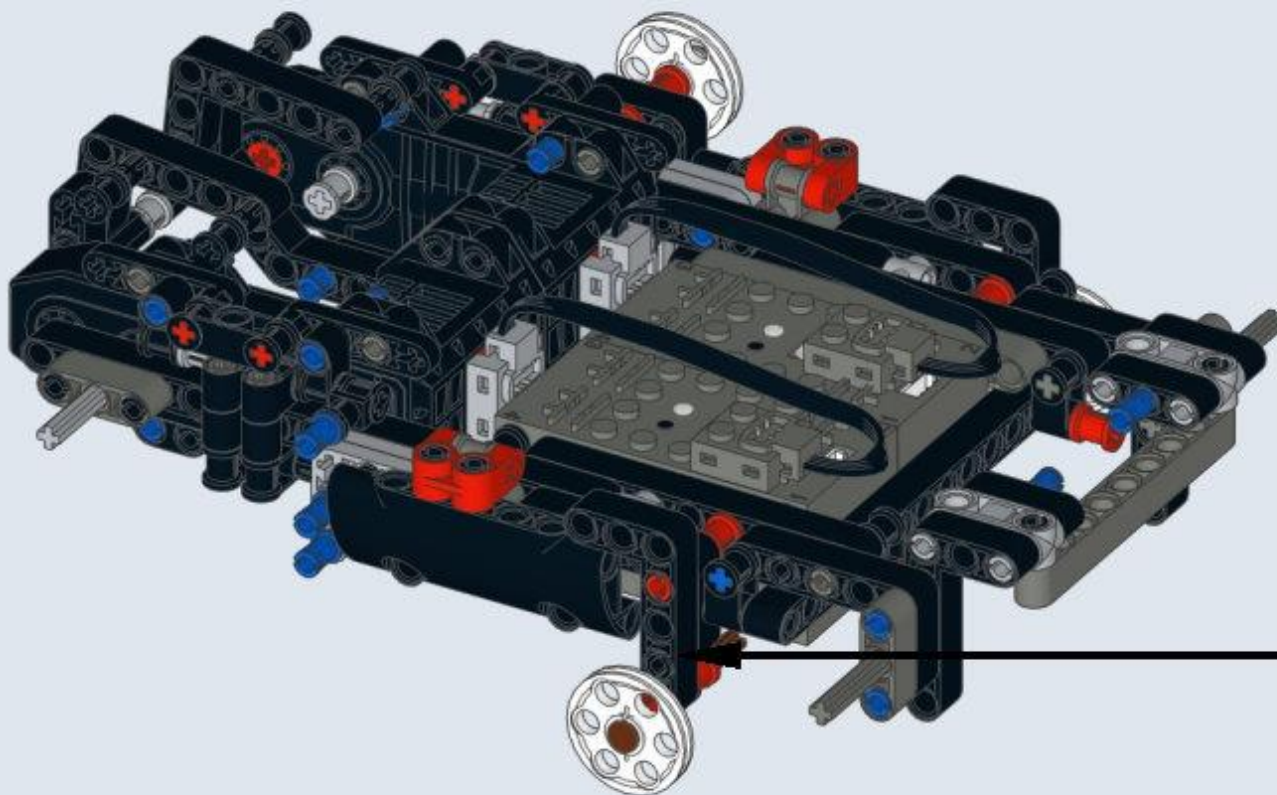






3




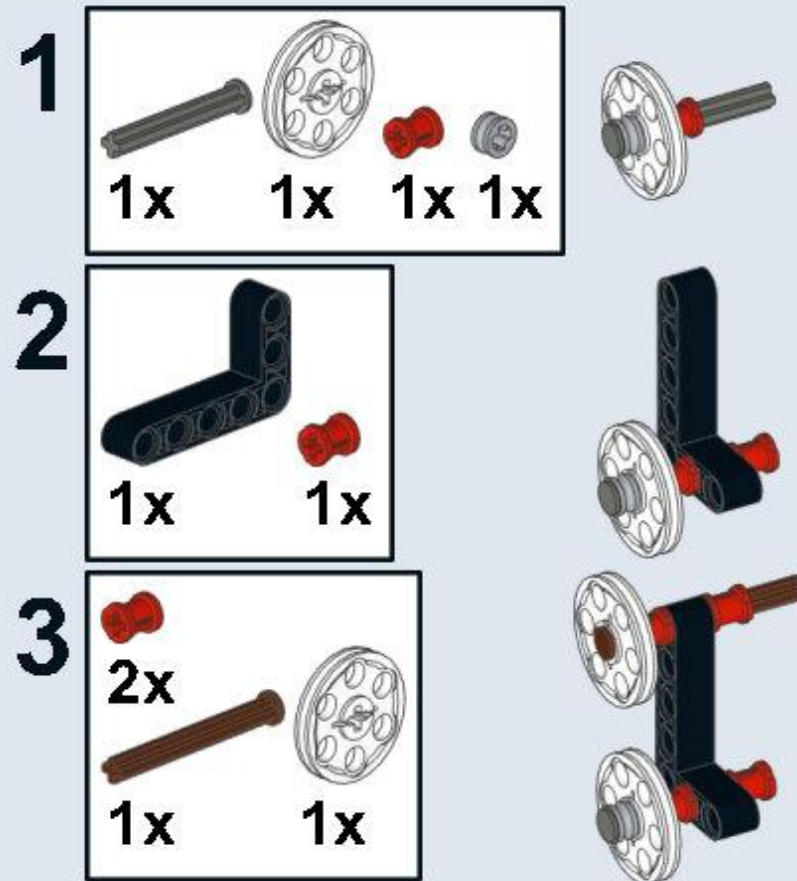




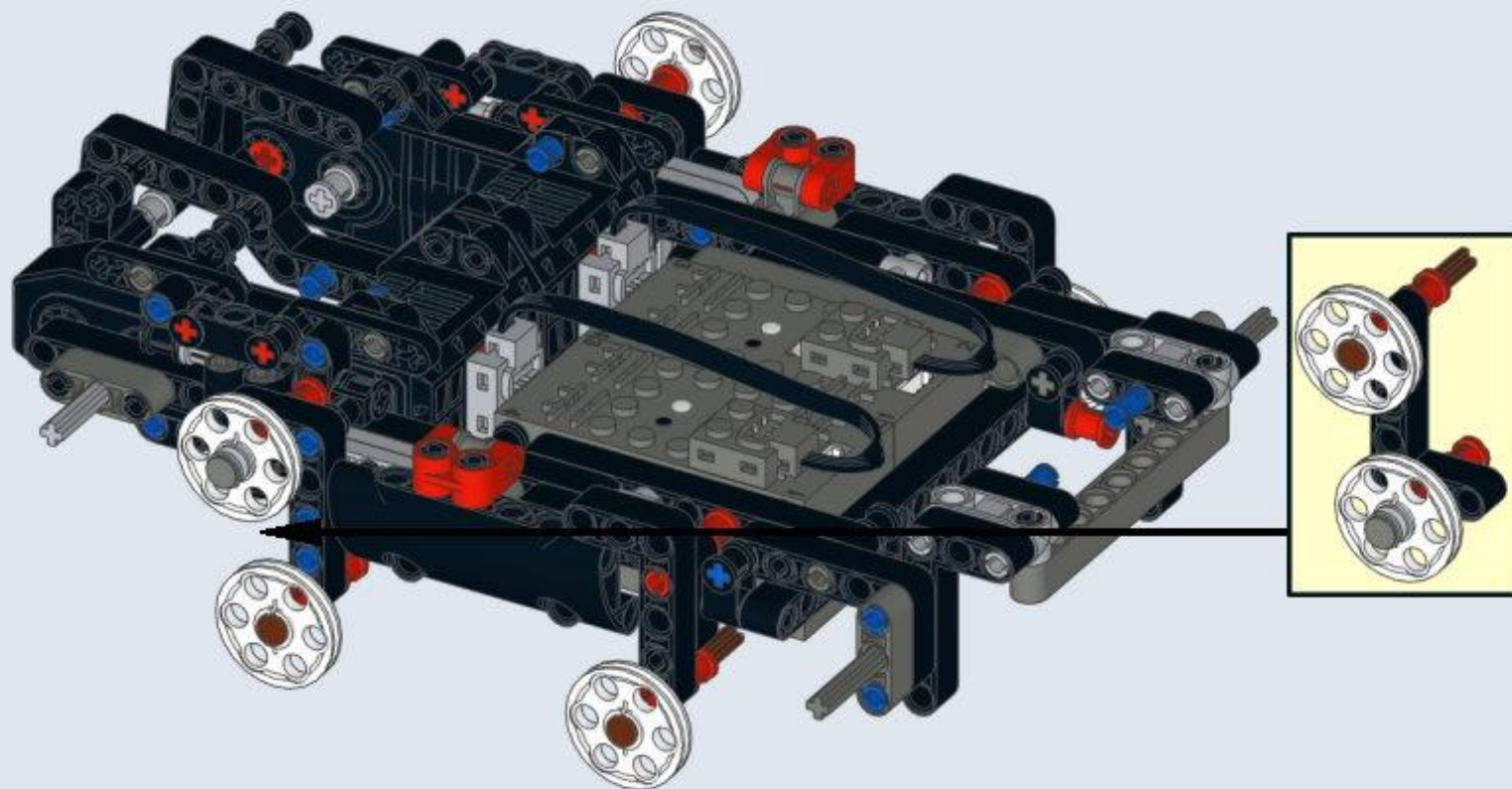


|   |   |
|---|---|
|  |  |
| <b>1x</b>   | <b>2x</b>   |
|  |  |
| <b>1x</b>   | <b>1x</b>   |

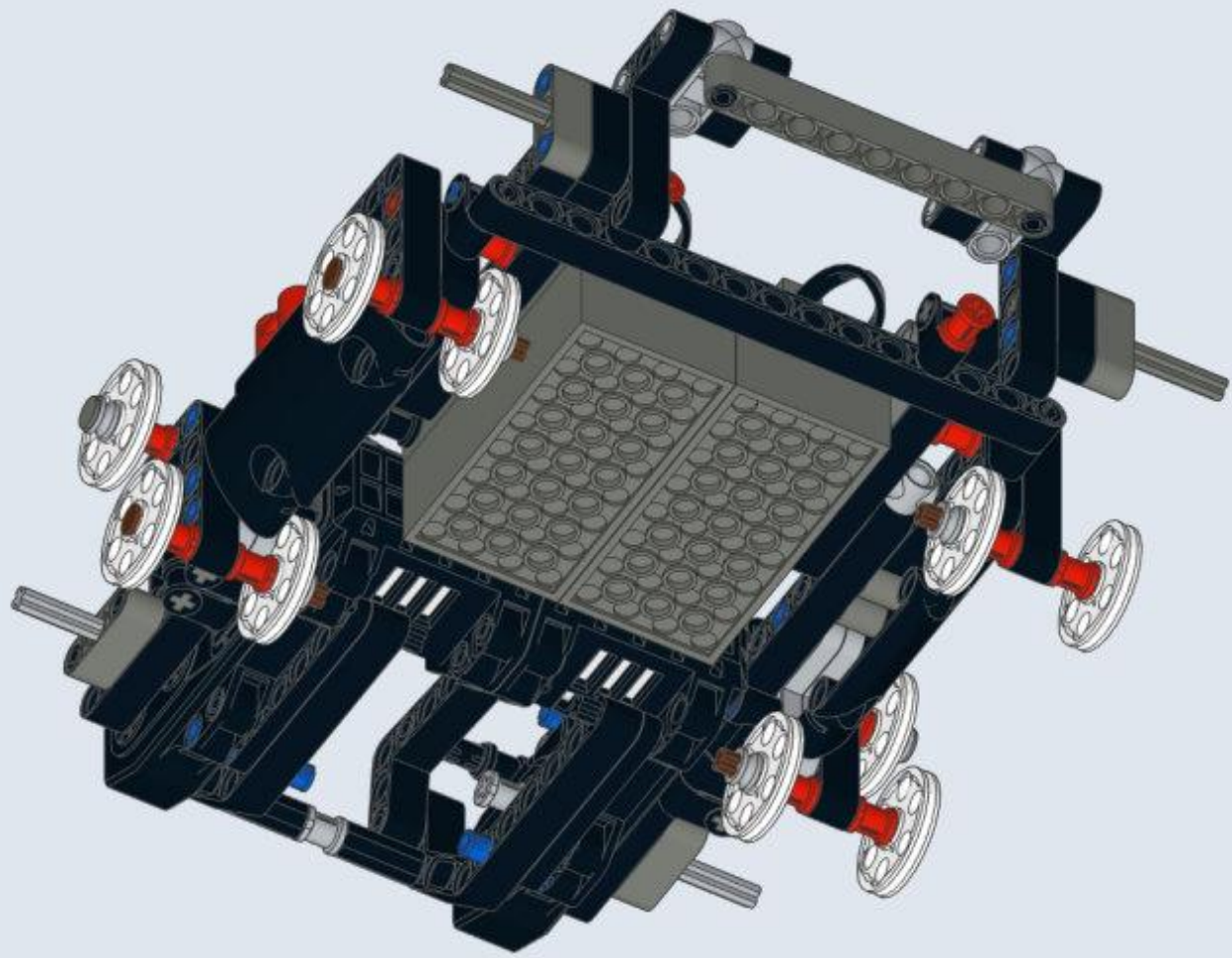
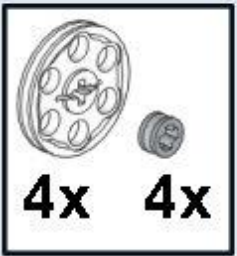






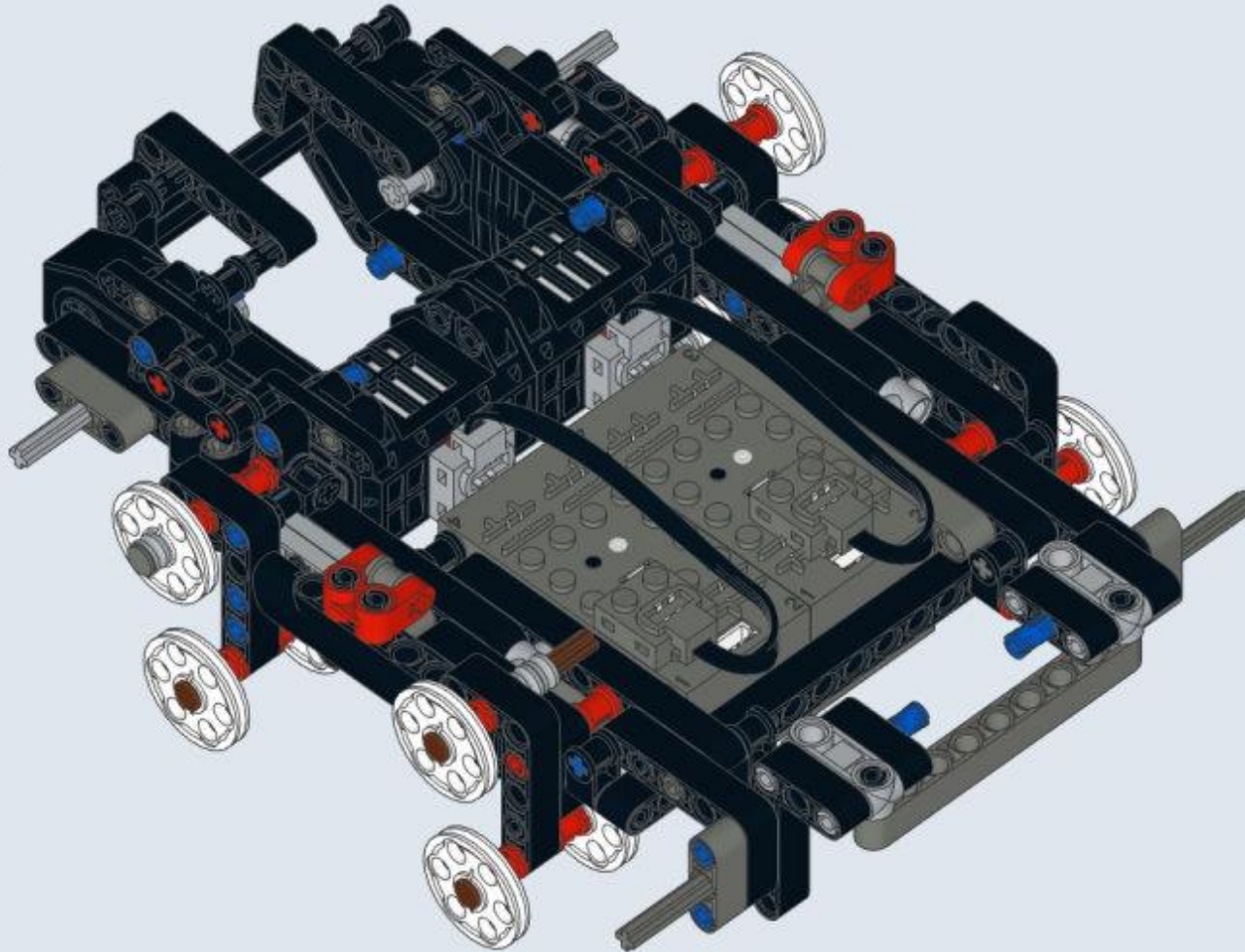
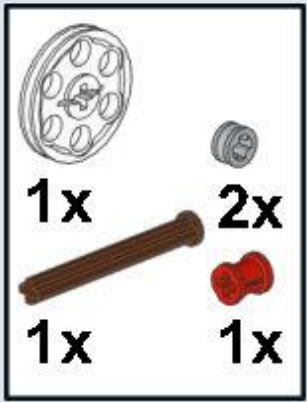


42





43







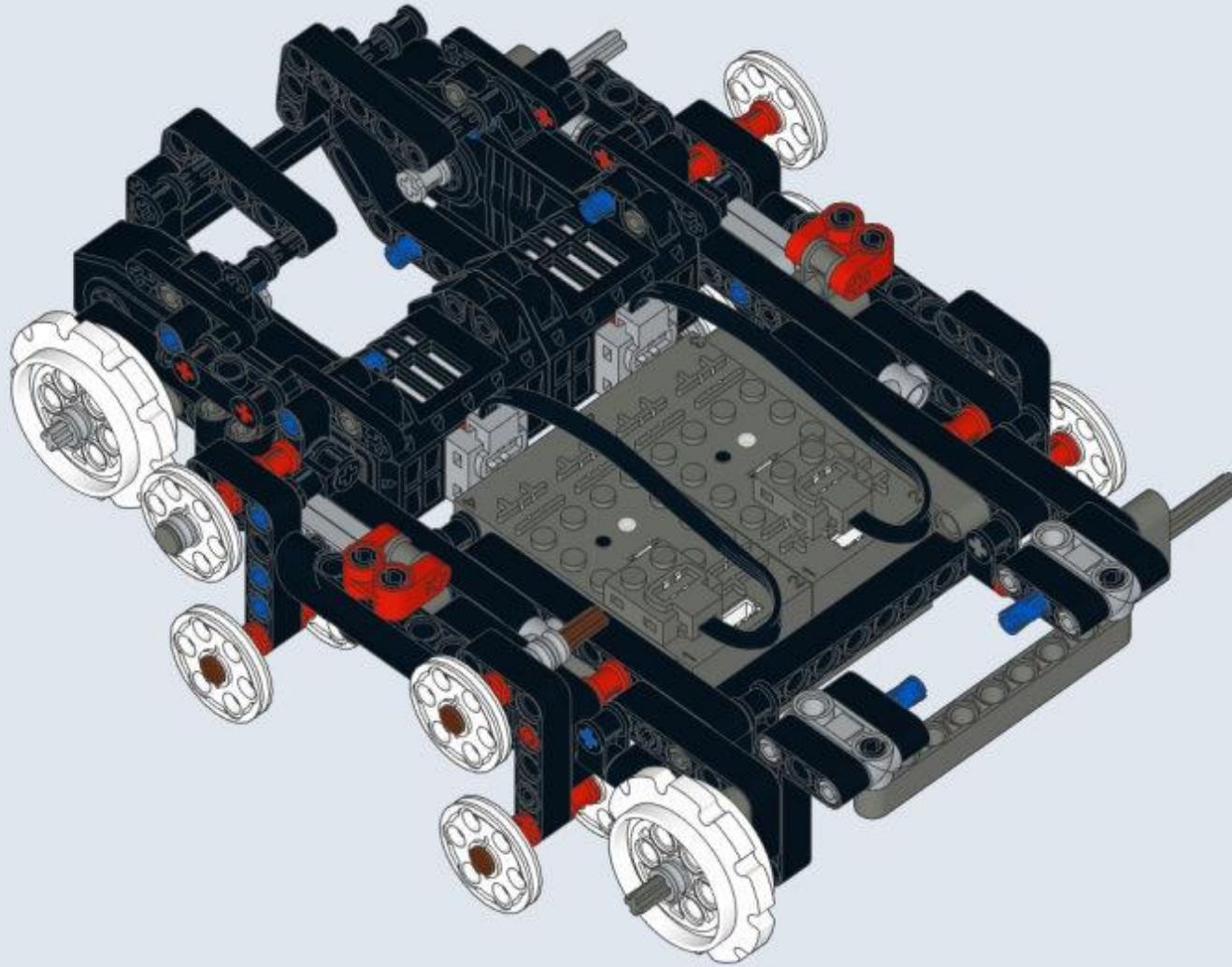
44



2x

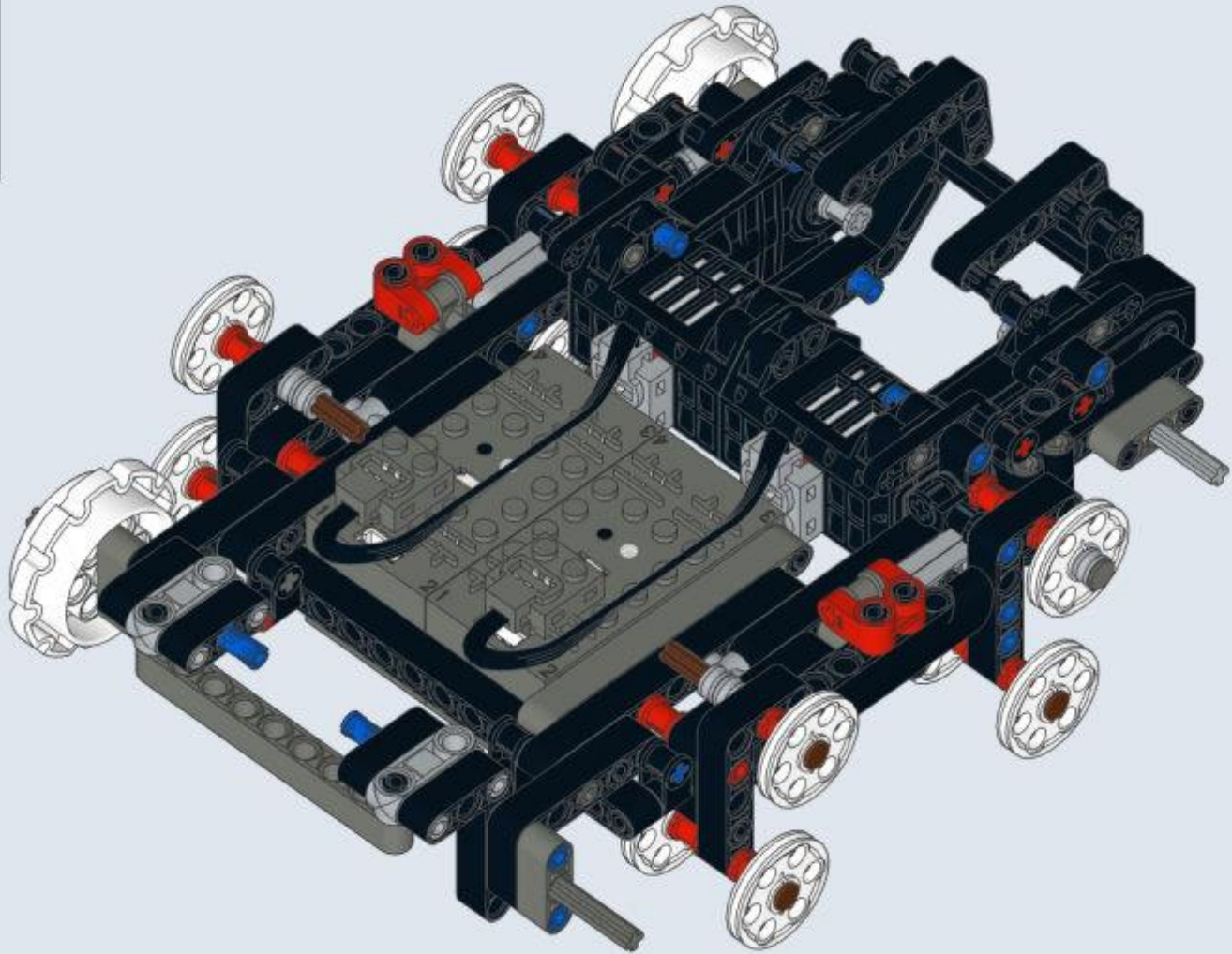
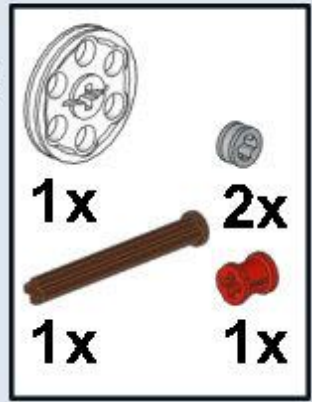


2x





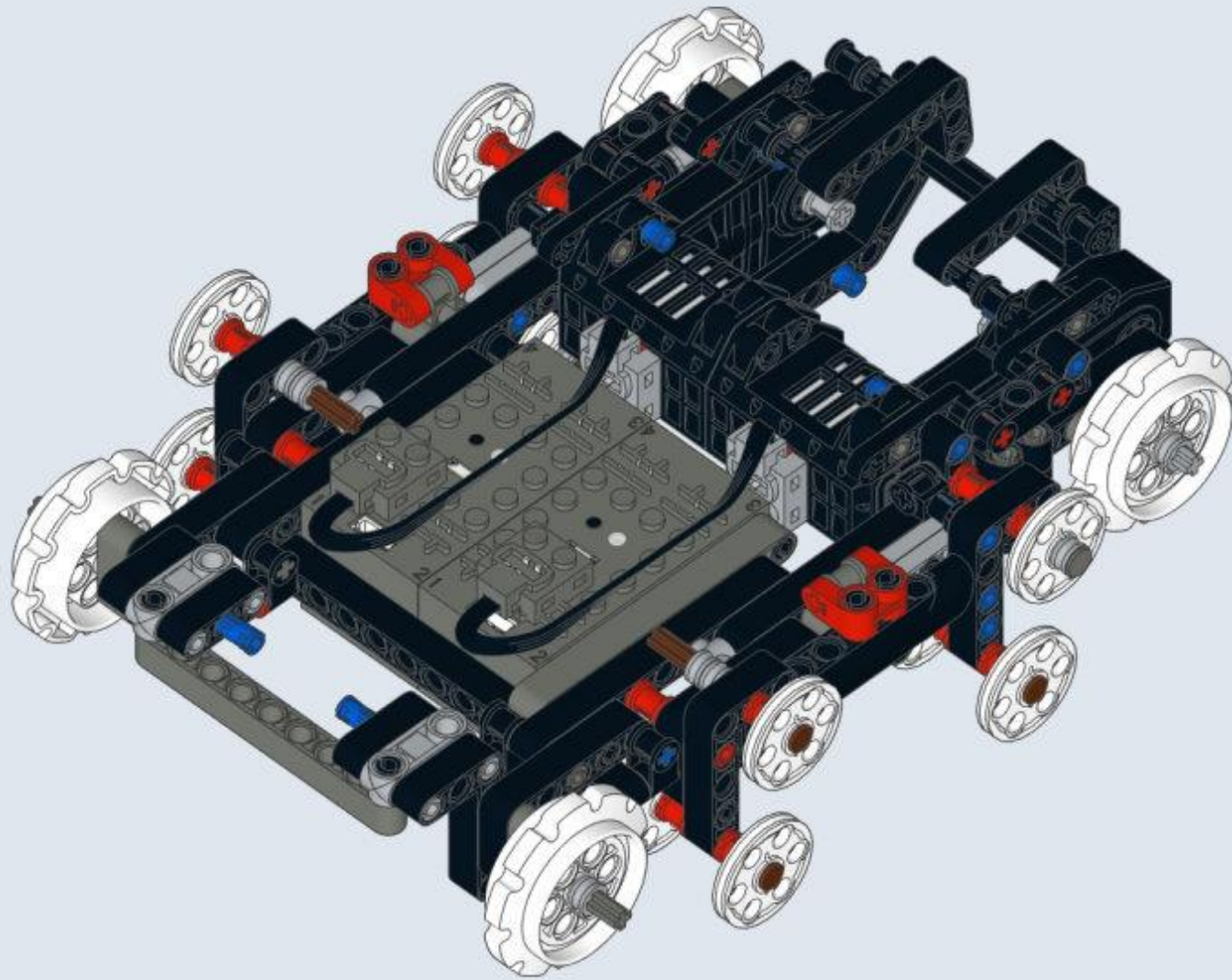
45







46

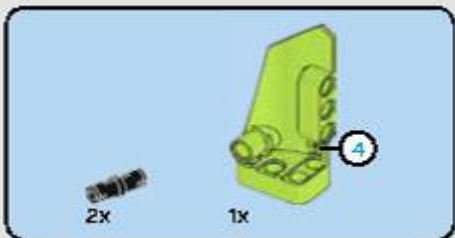




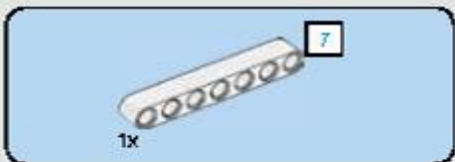
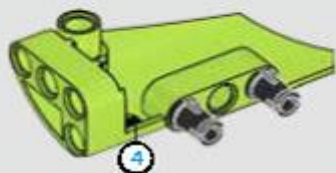


# **61-99**

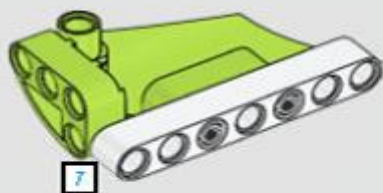
## **original steps**



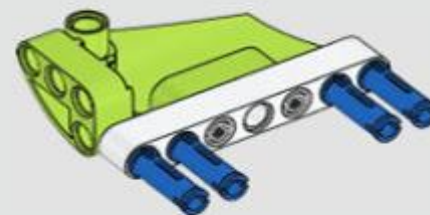
61



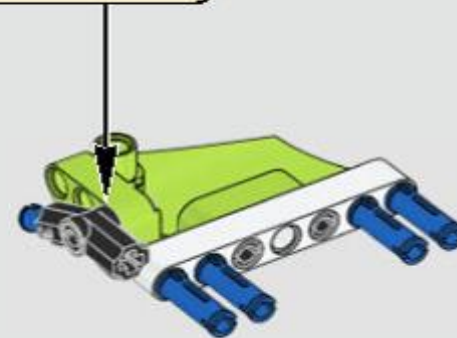
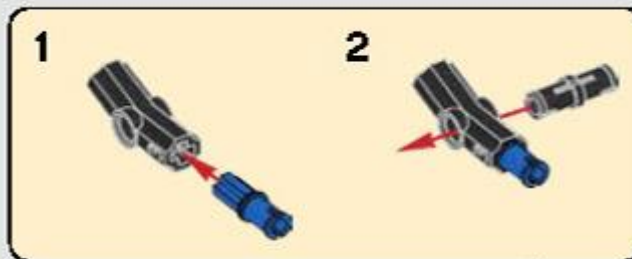
62

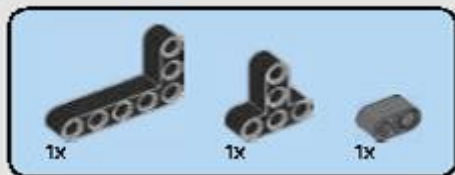


63

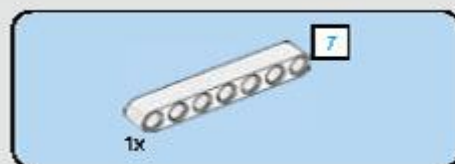
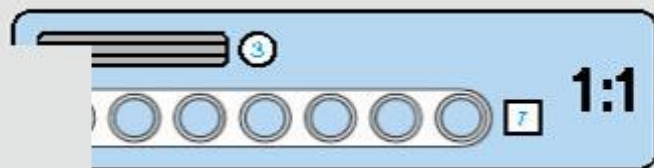
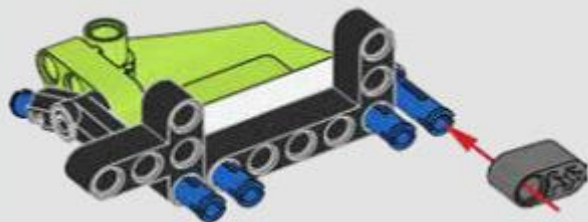


64

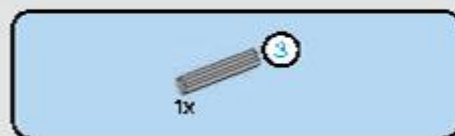
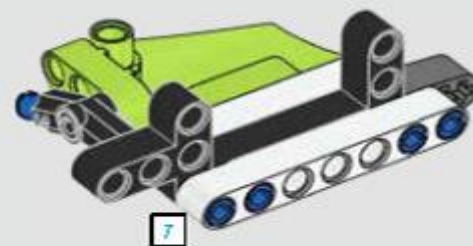




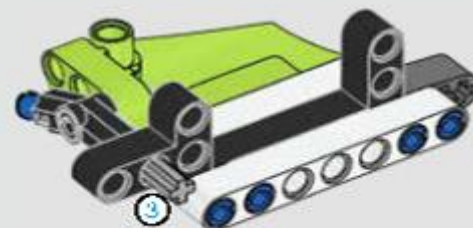
65

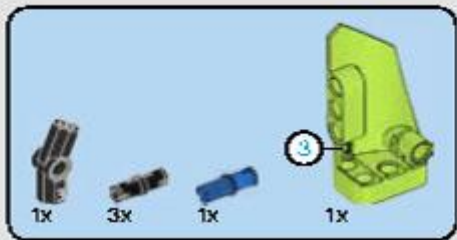


66



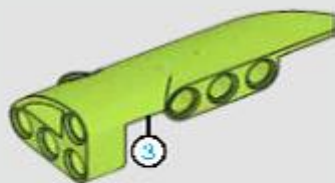
67



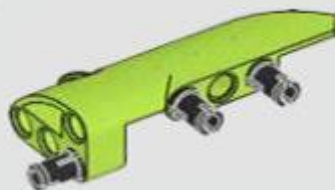


68

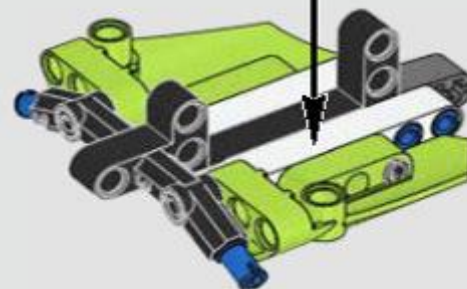
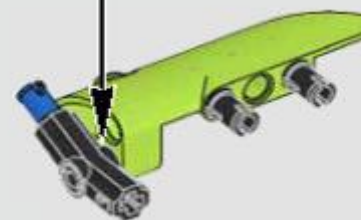
1

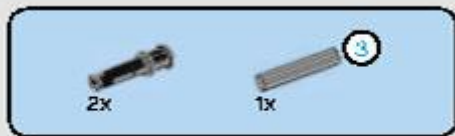


2

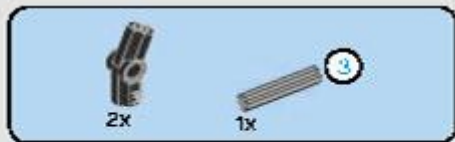
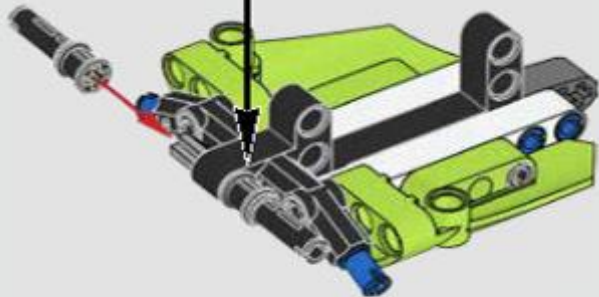


3

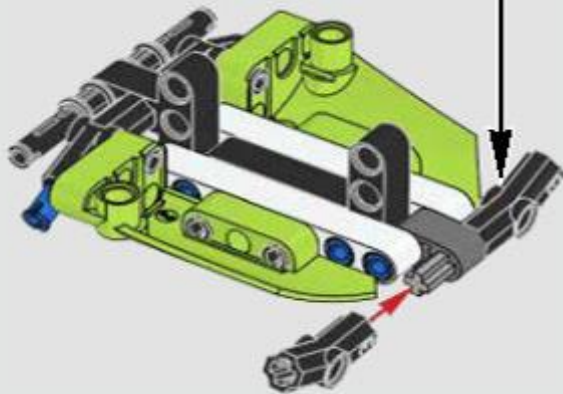
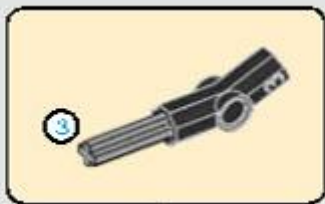




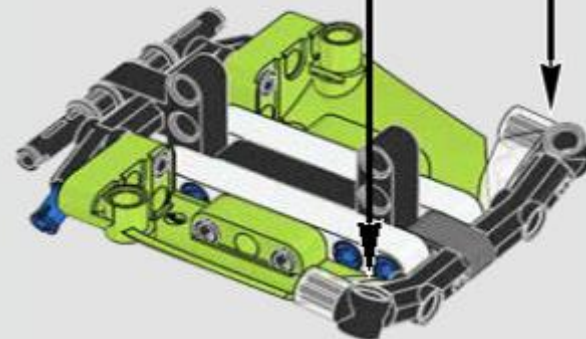
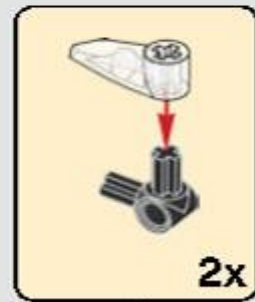
69

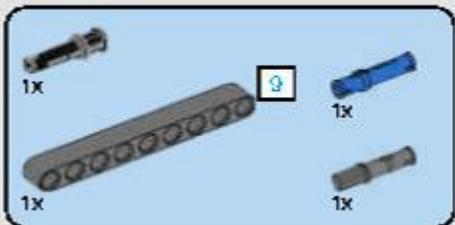


70

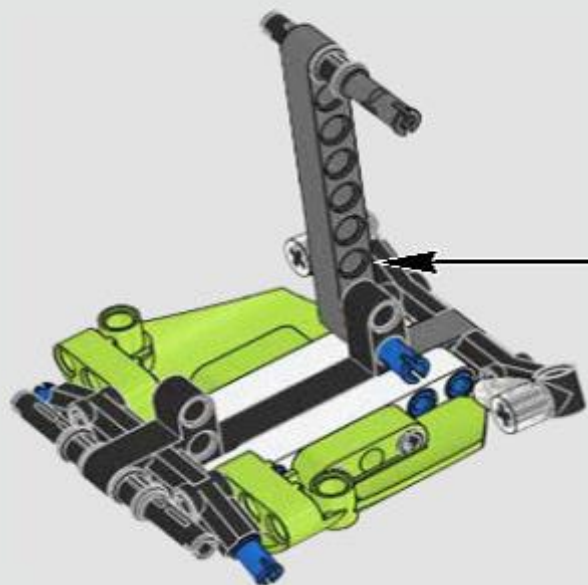
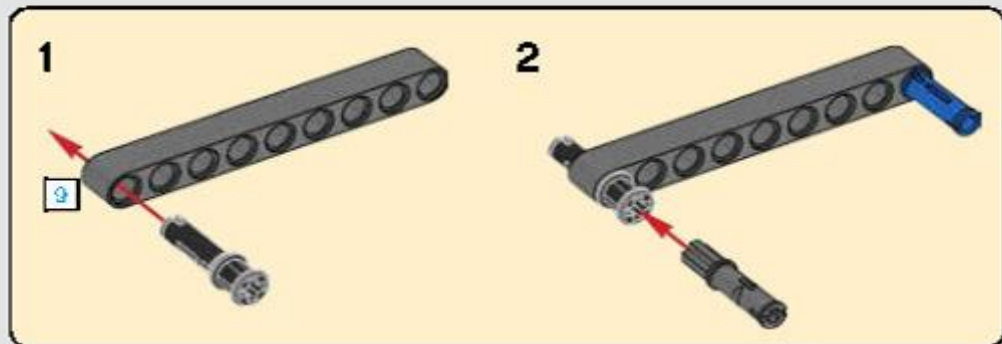


71

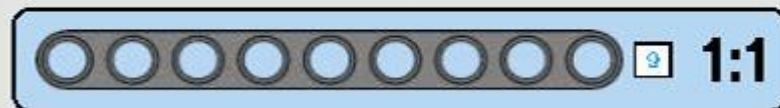
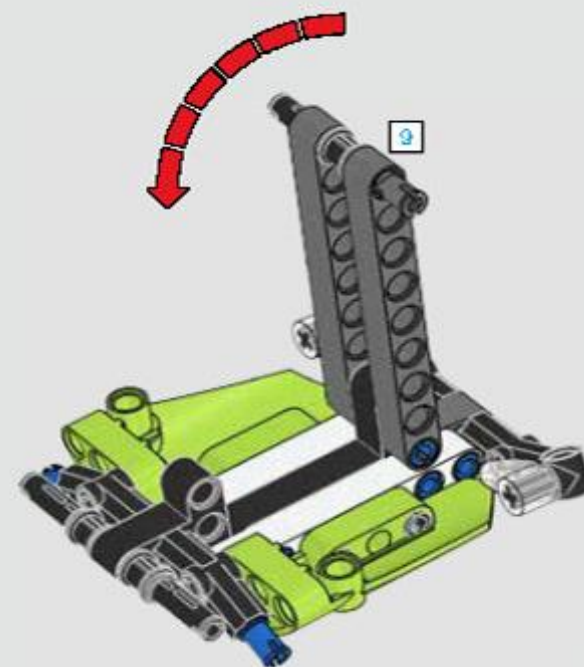




72



73

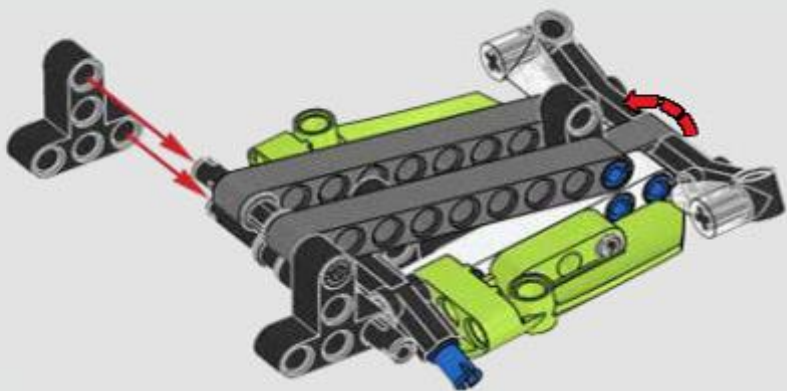


1:1

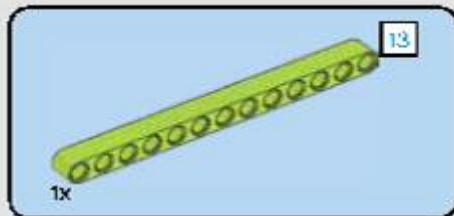
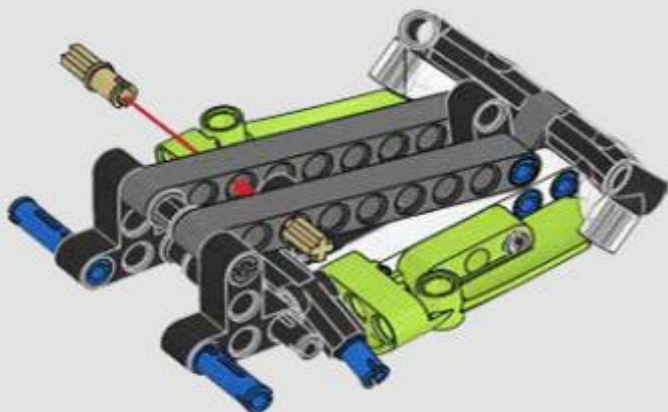




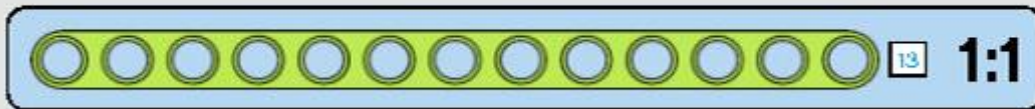
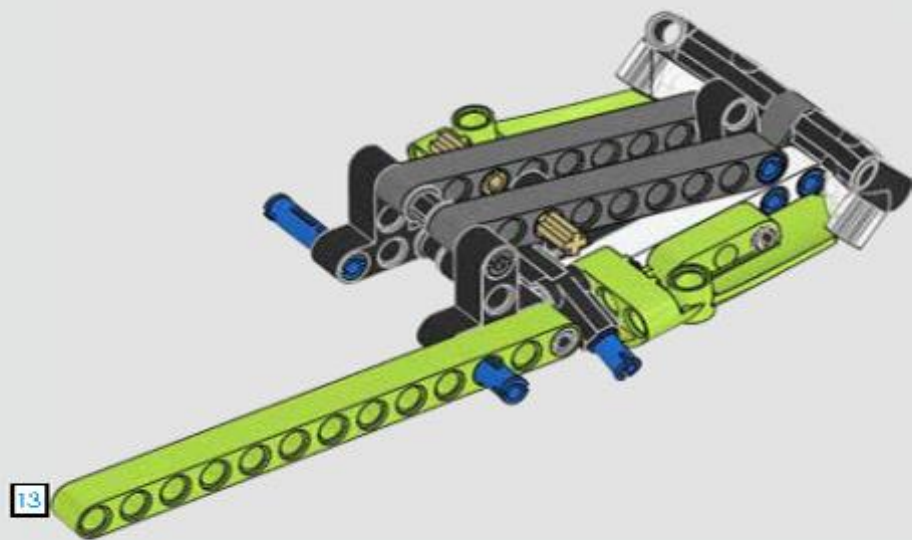
74

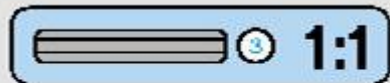
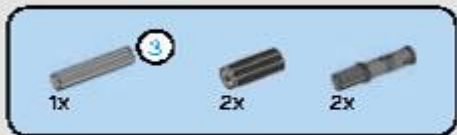


75

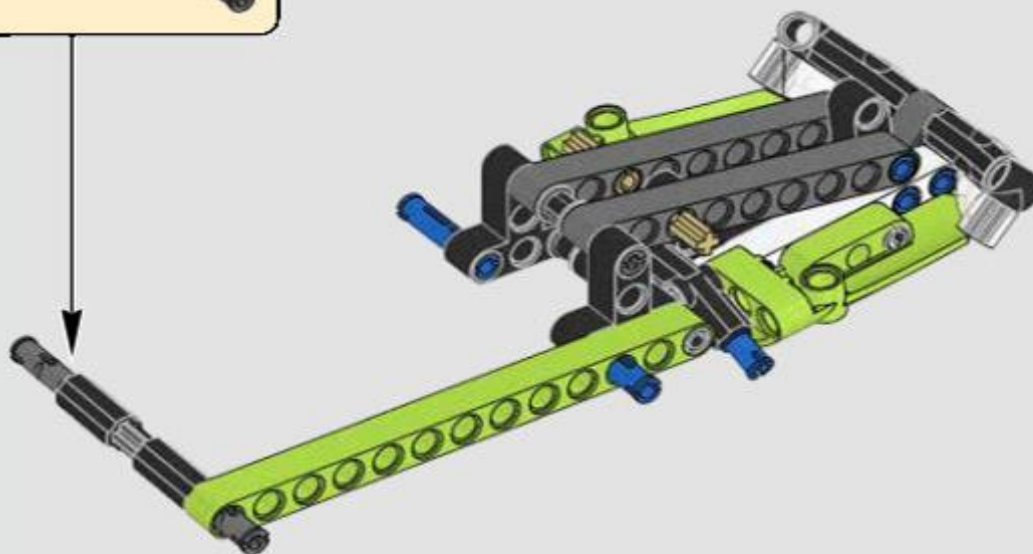
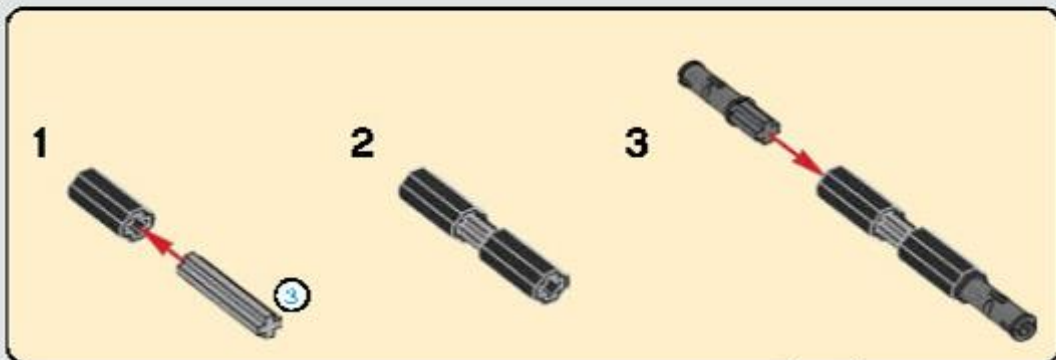


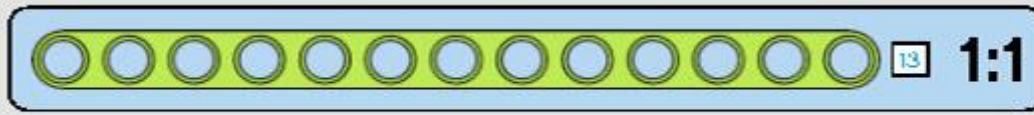
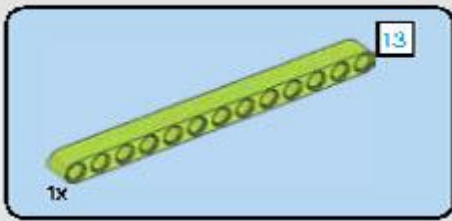
76



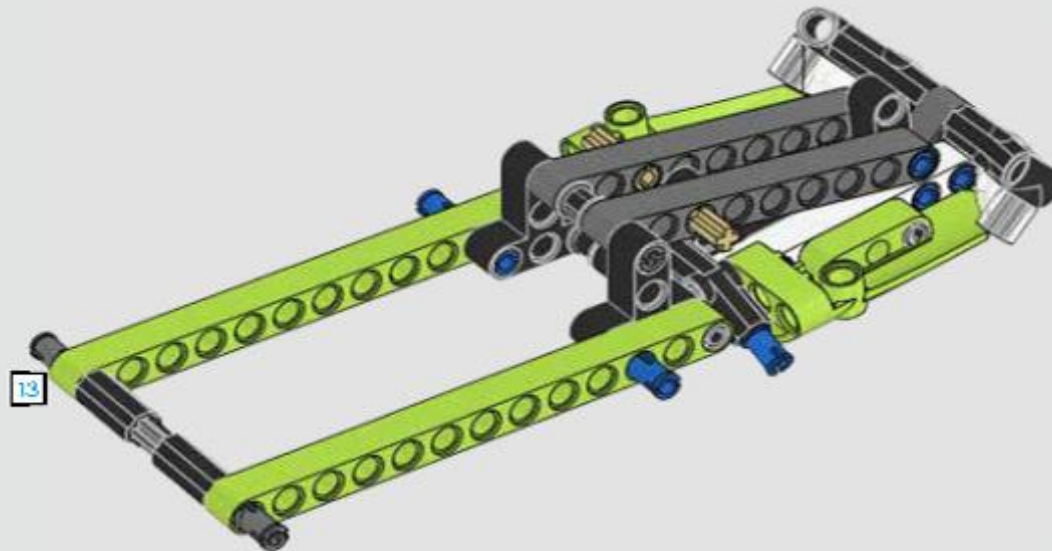


77





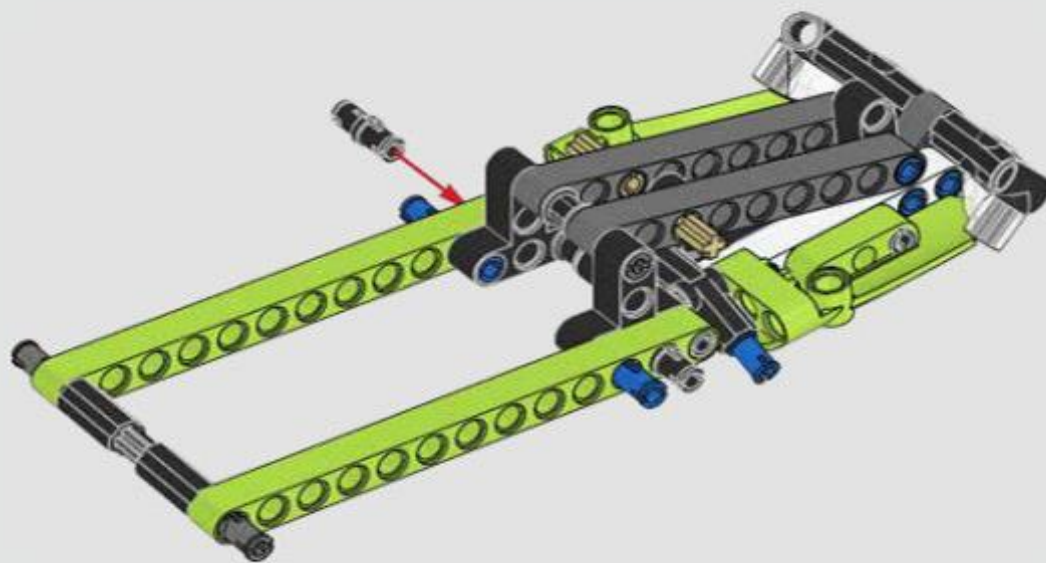
78





2x

79



1x

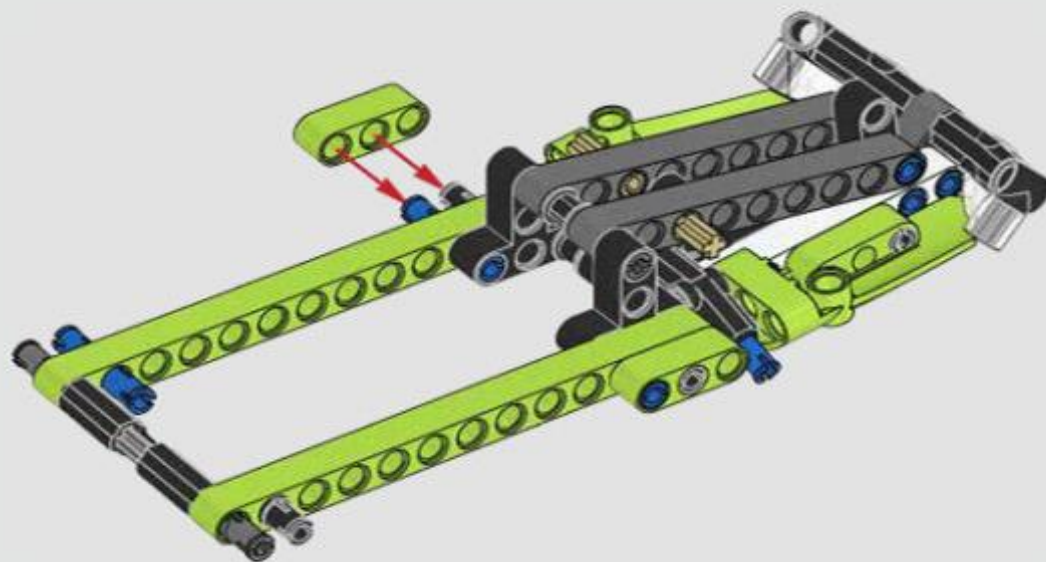


1x



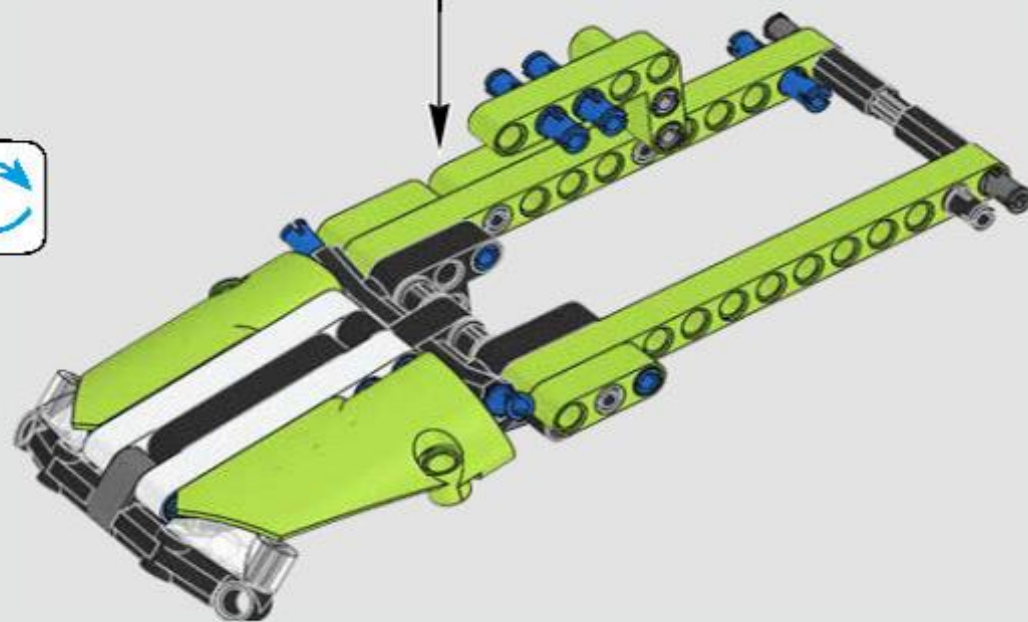
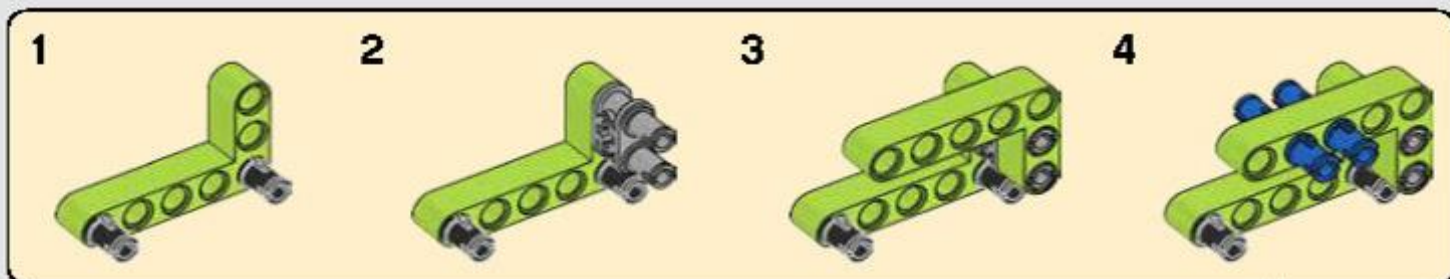
2x

80

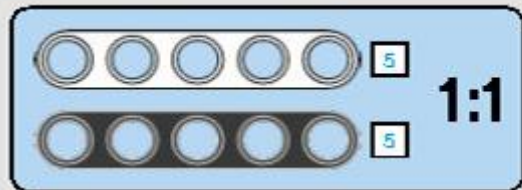
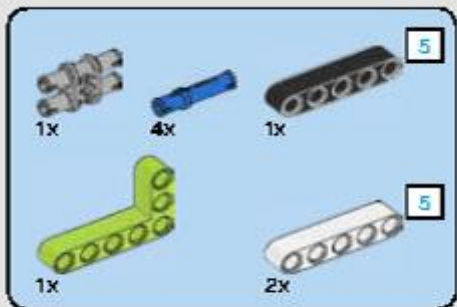




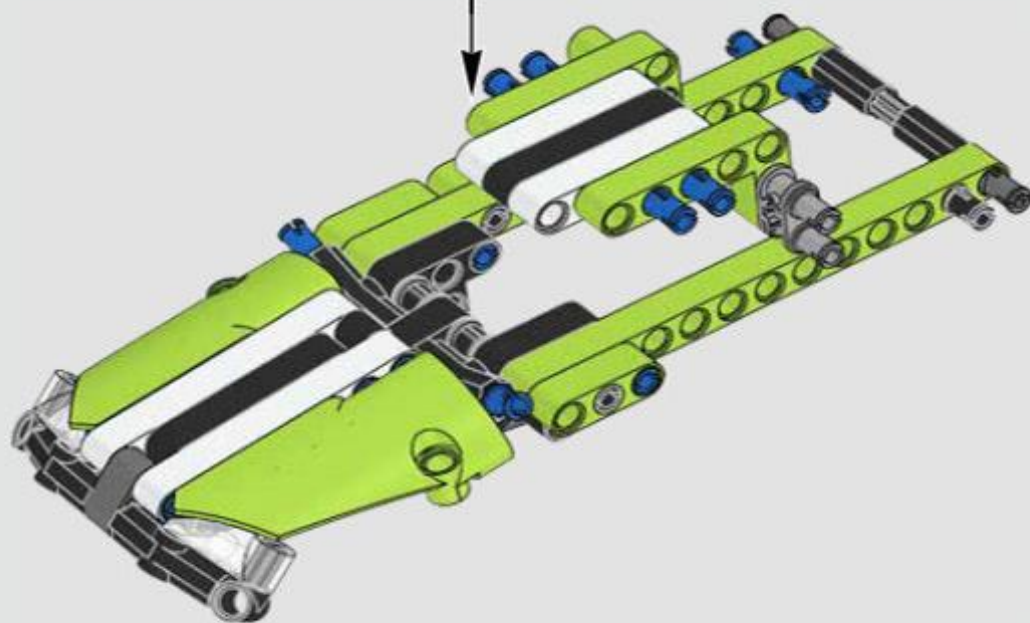
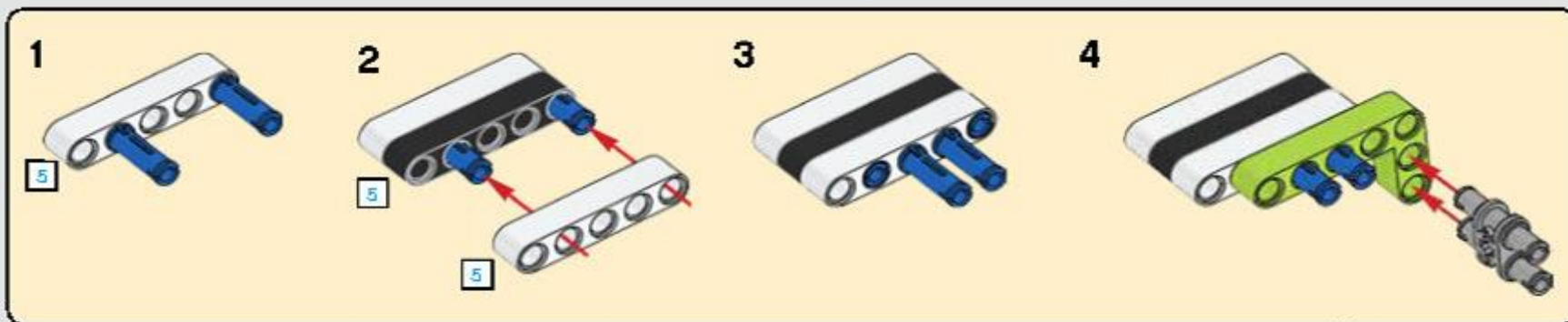
81



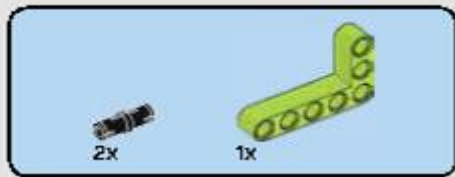




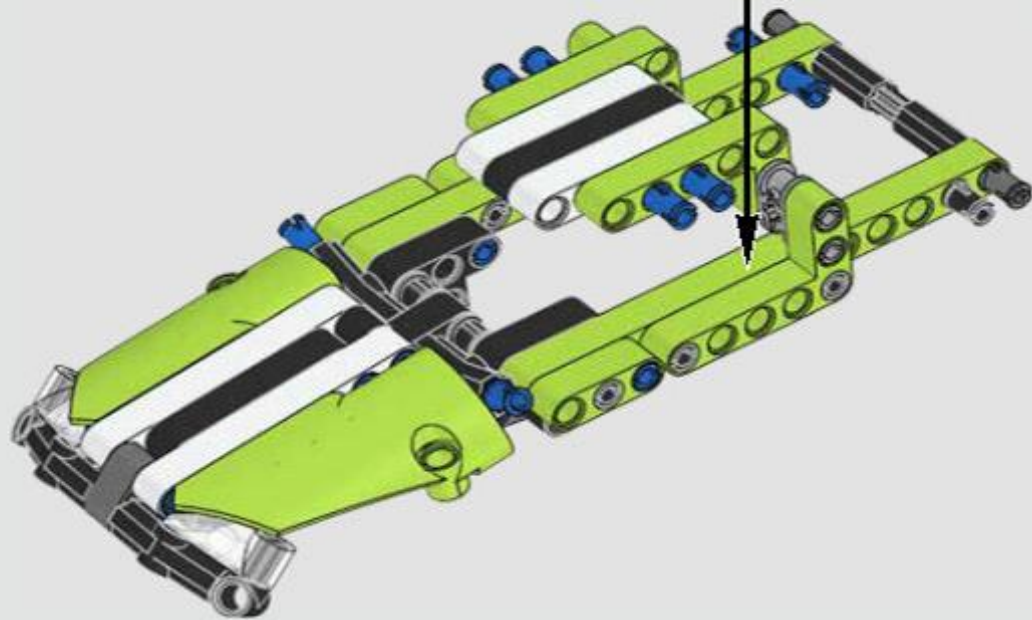
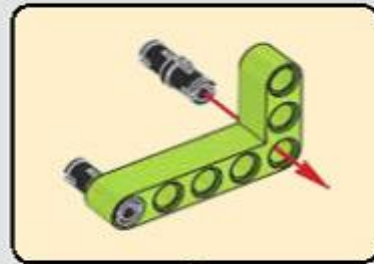
82



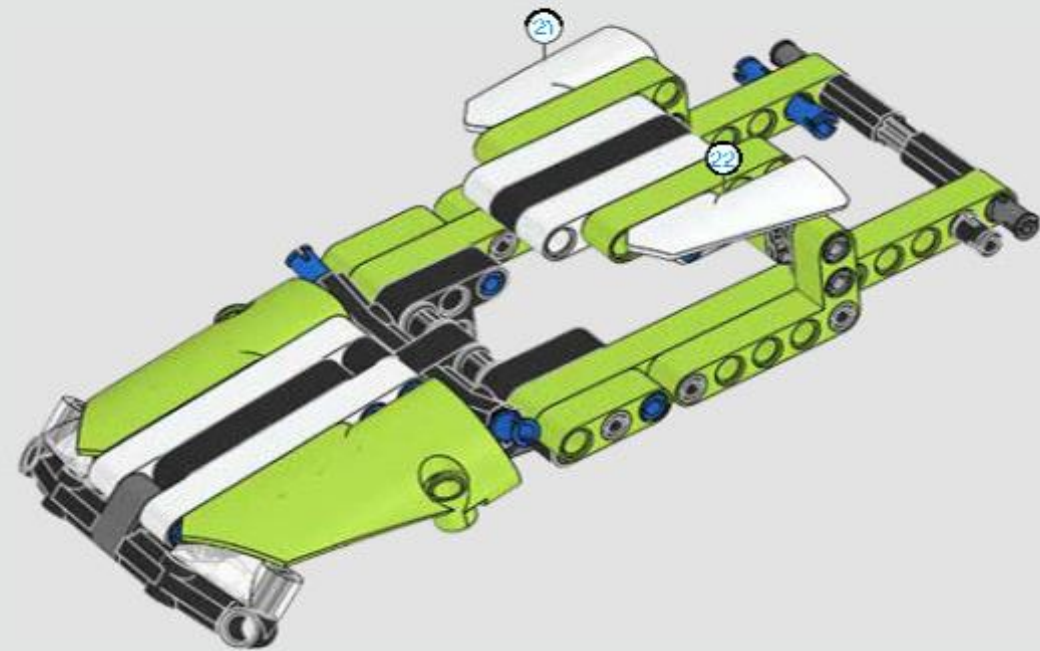




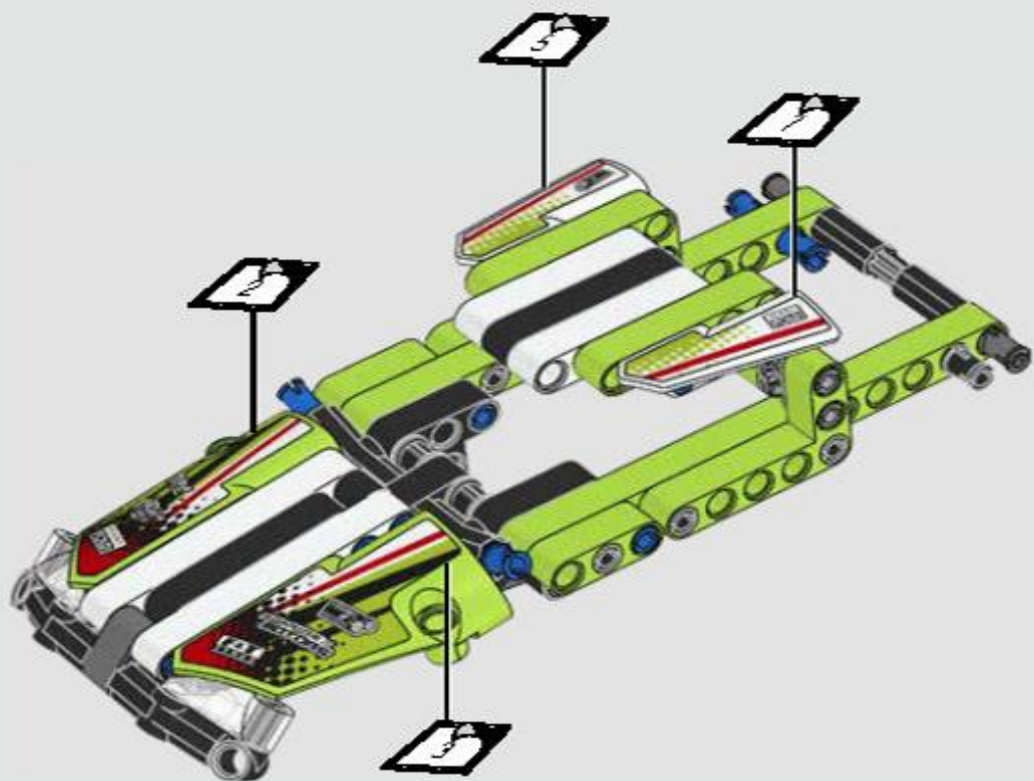
83



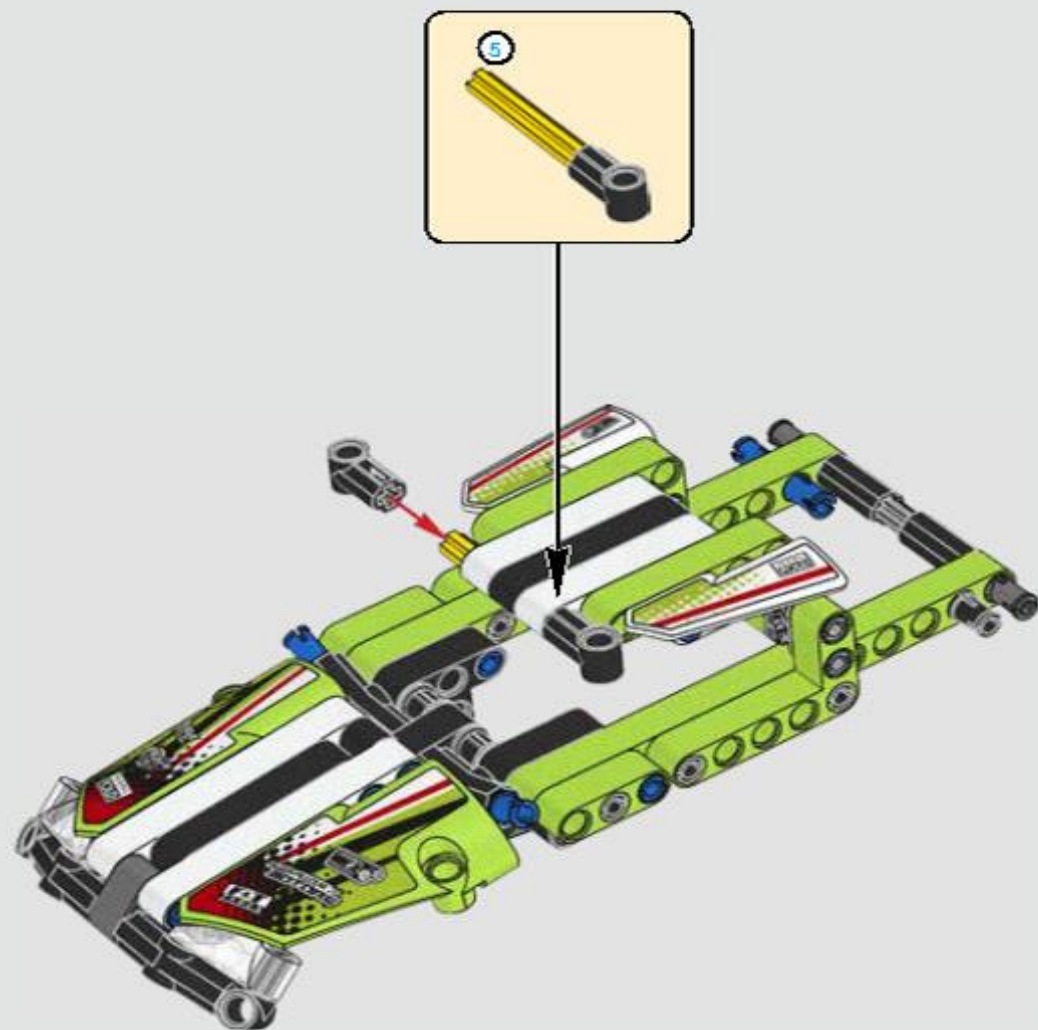
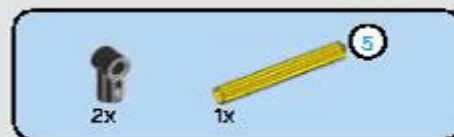
84



85

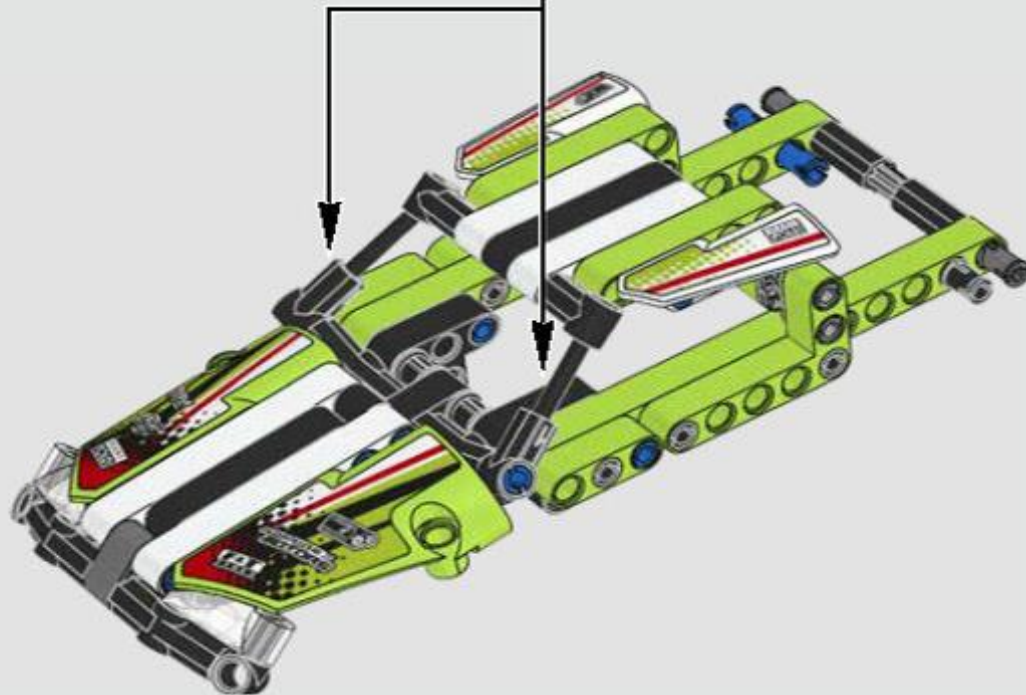
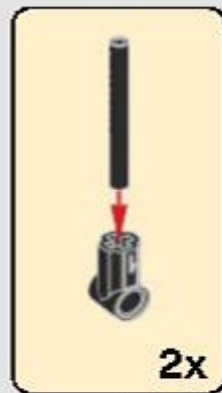


86





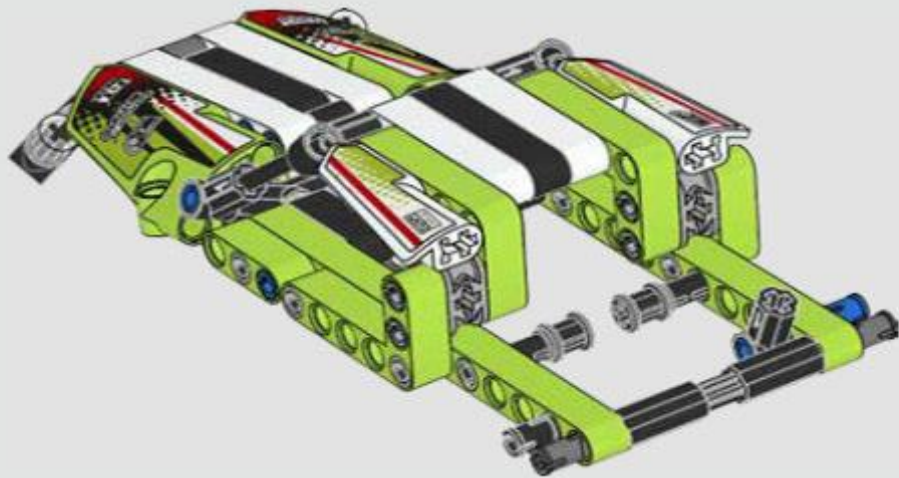
87



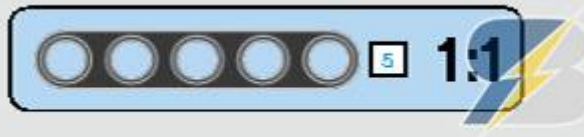
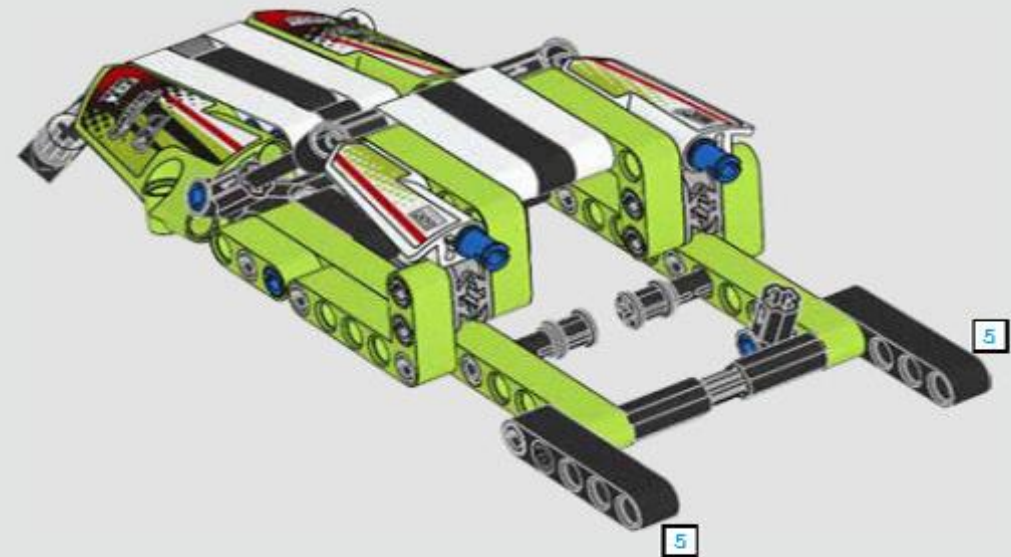


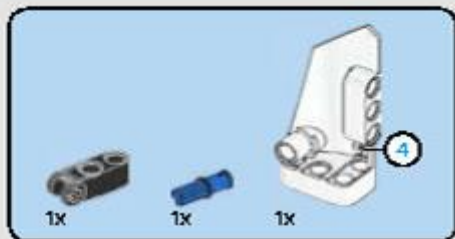


88

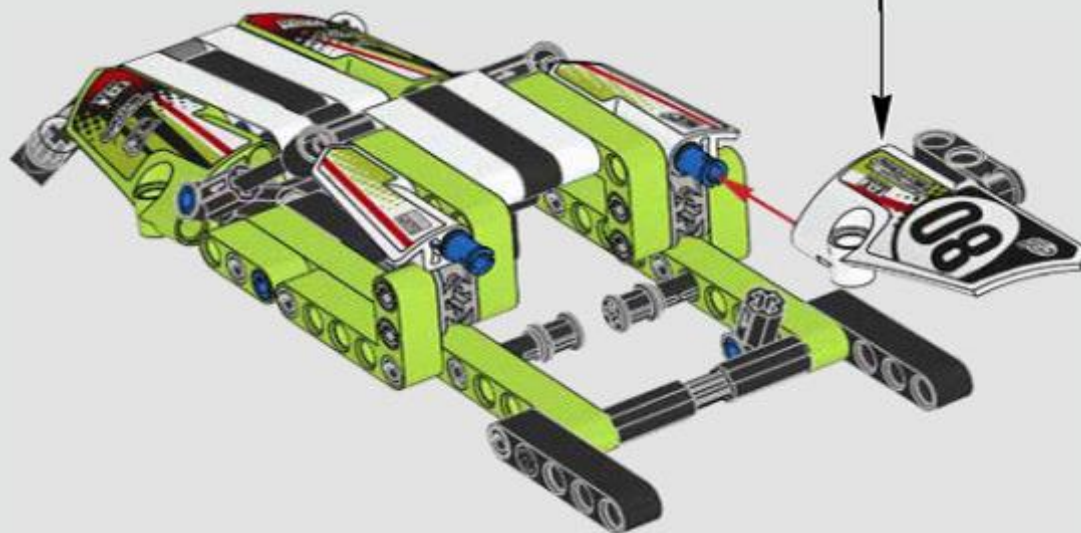
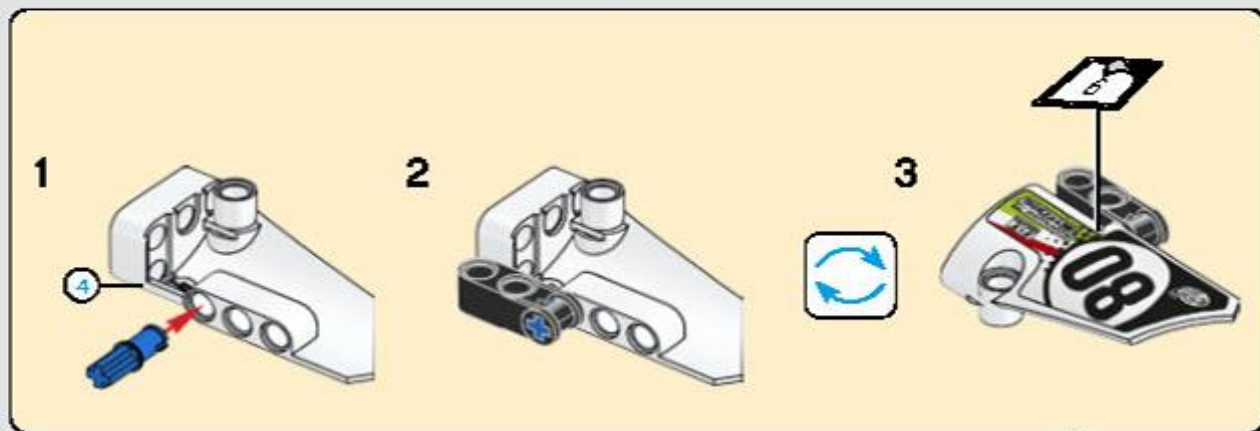


89

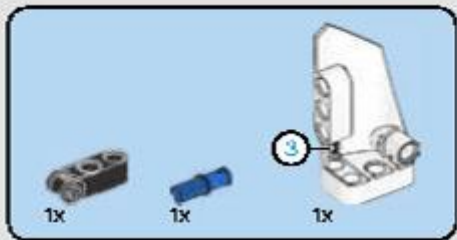




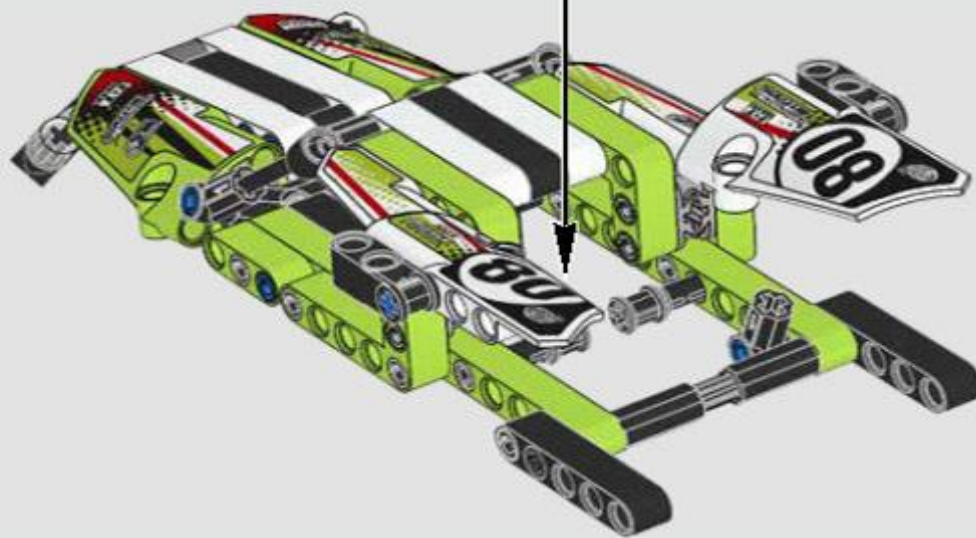
90



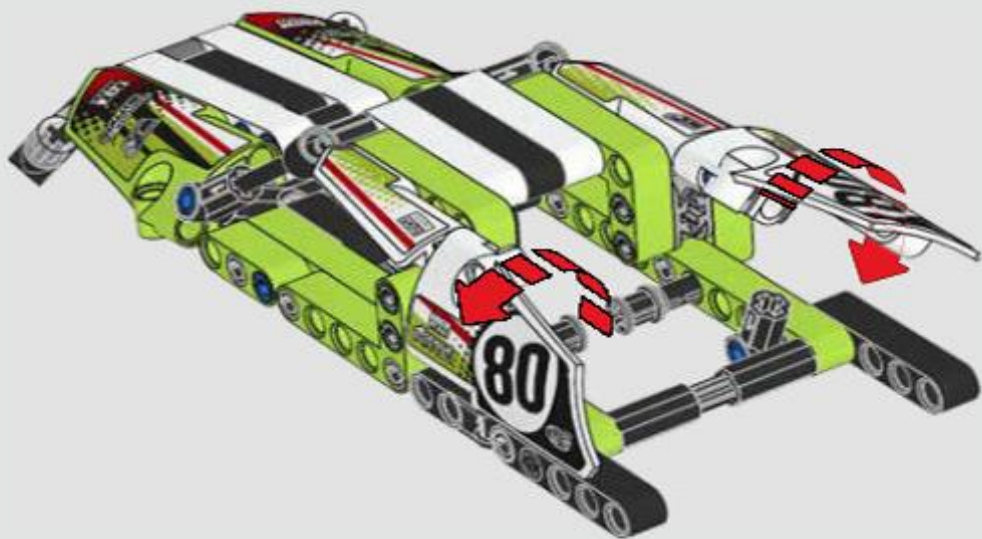




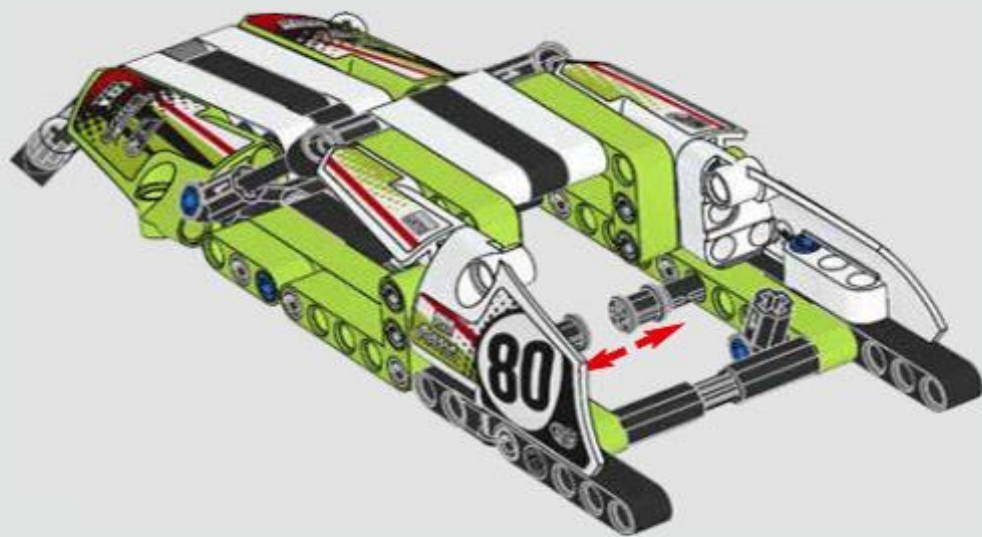
91



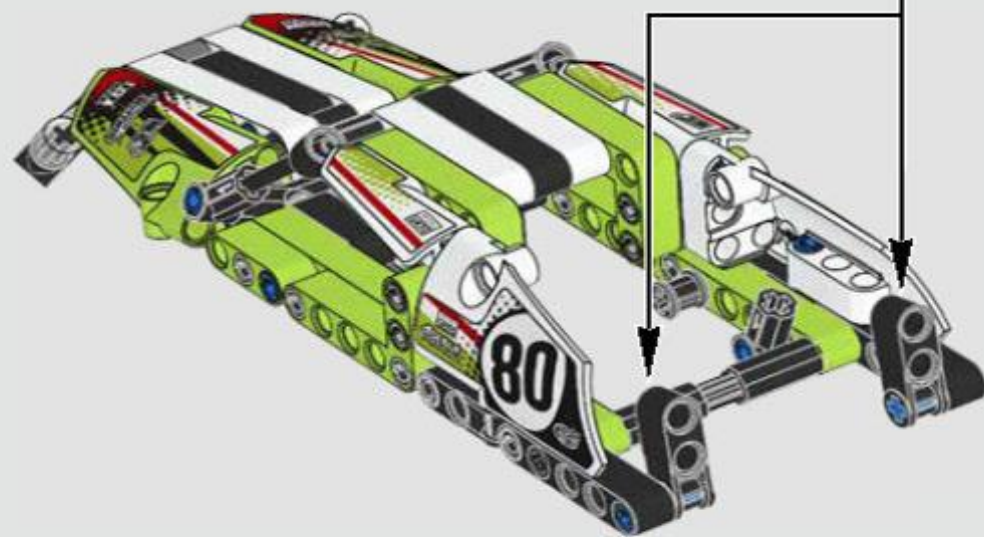
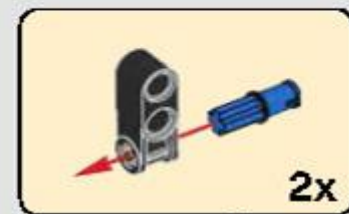
92

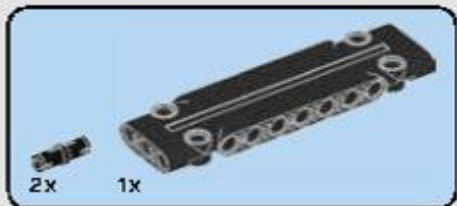


93

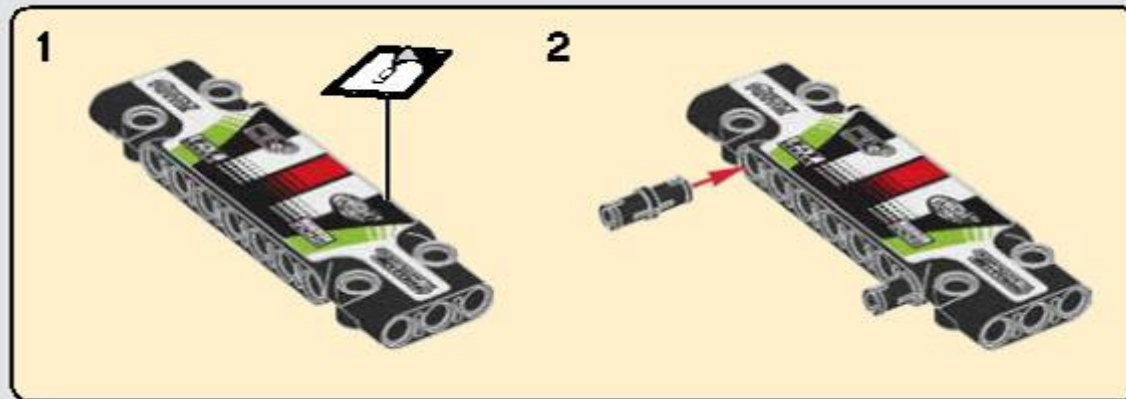


94

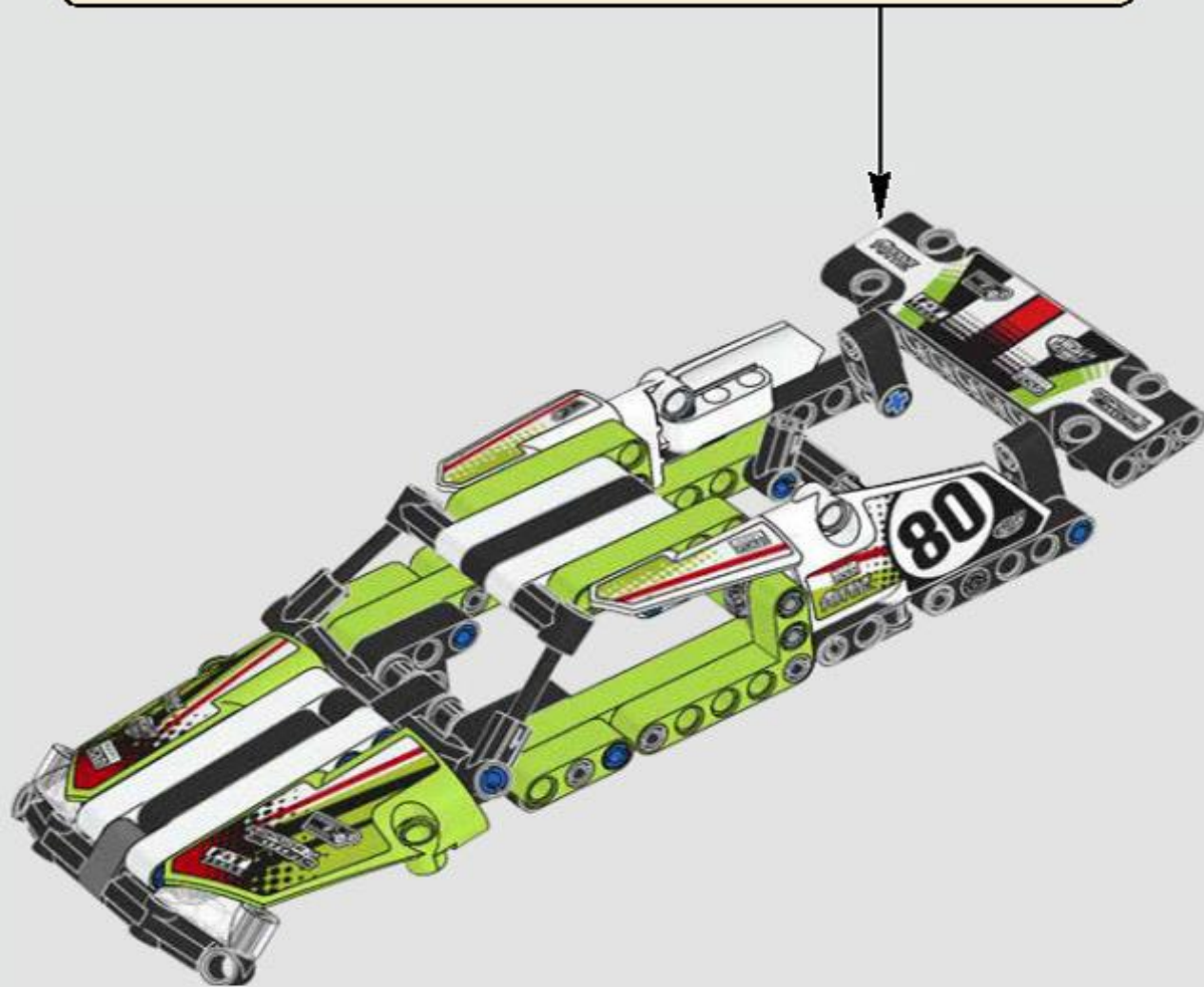




95



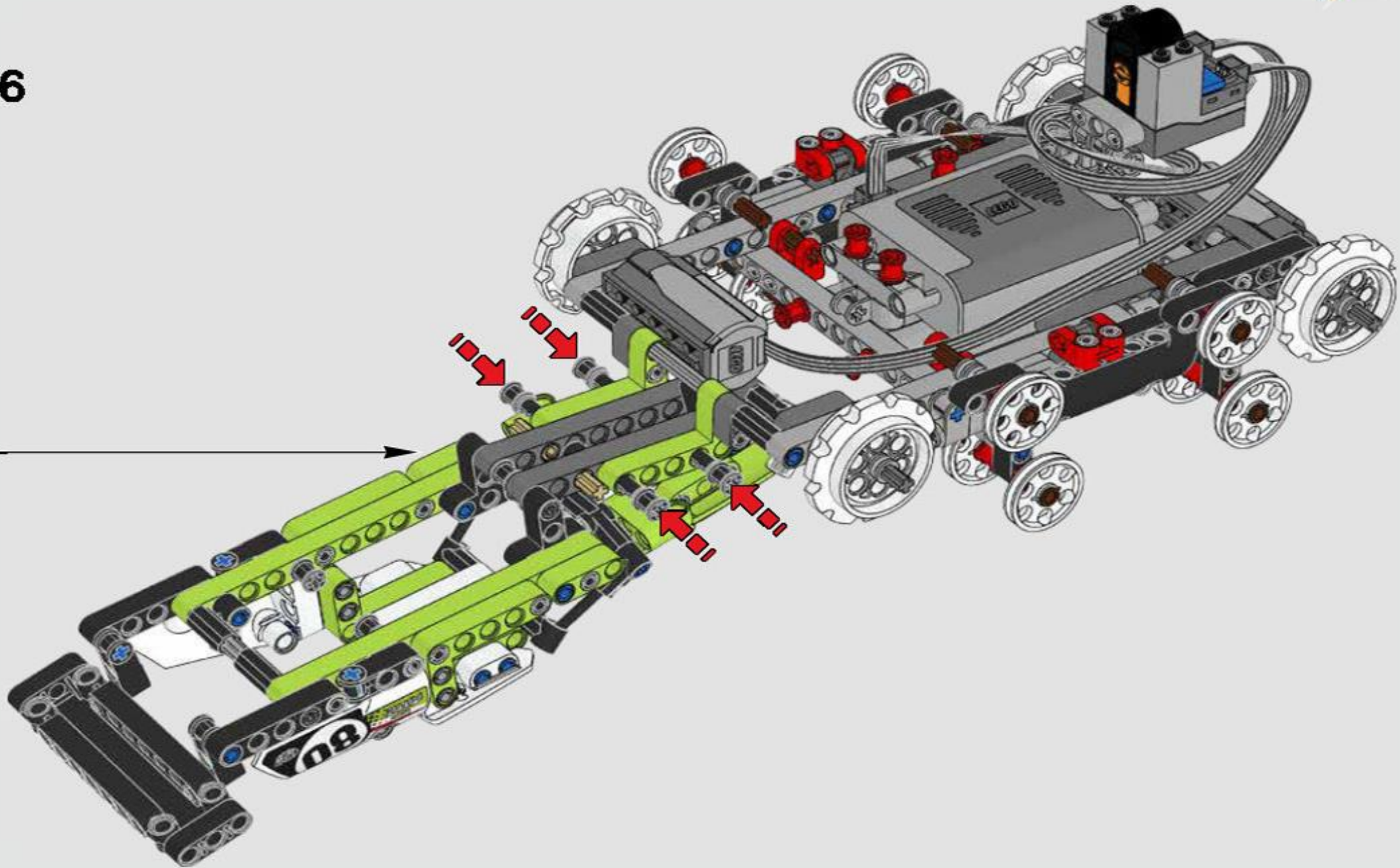
2





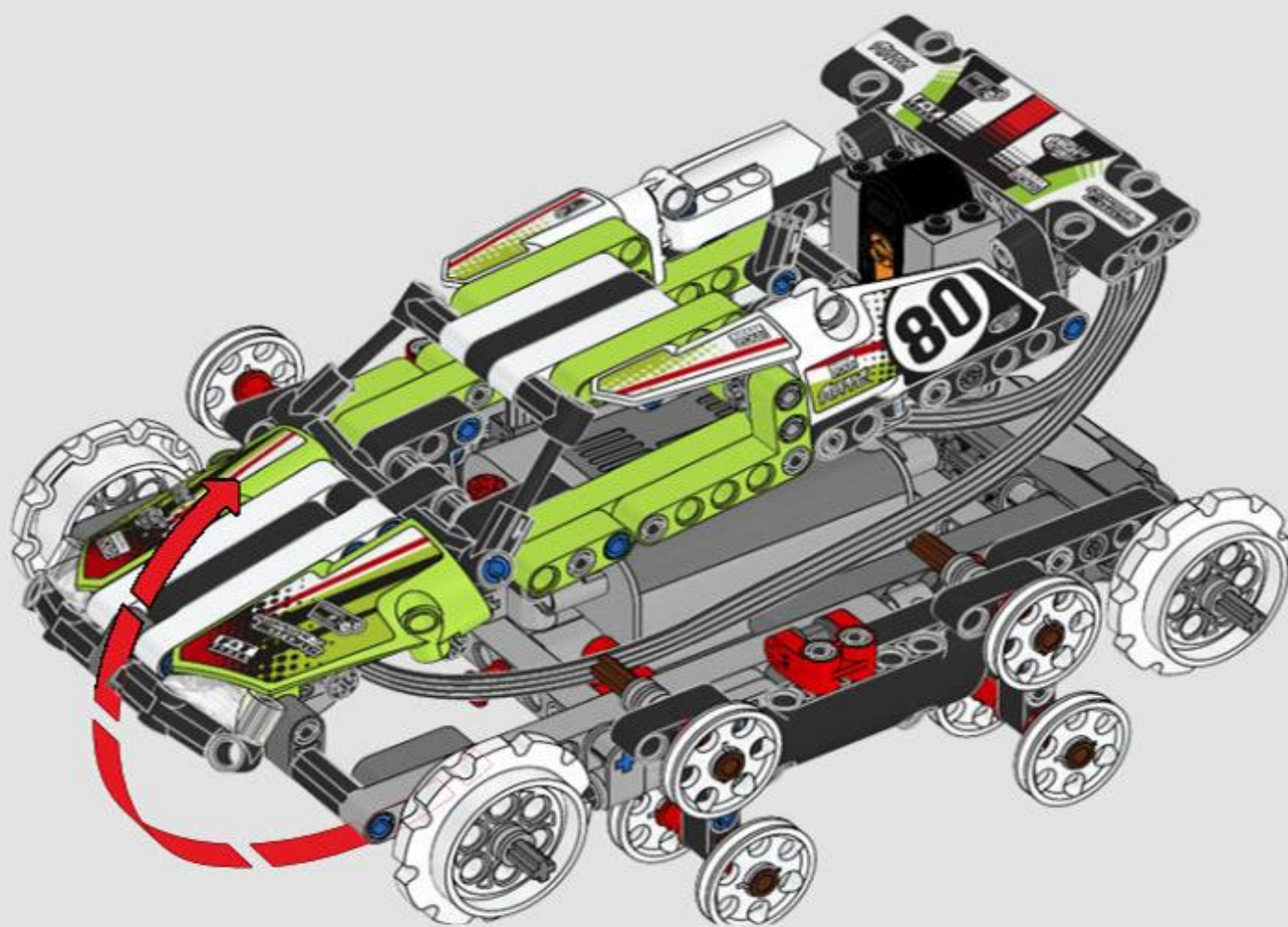


96





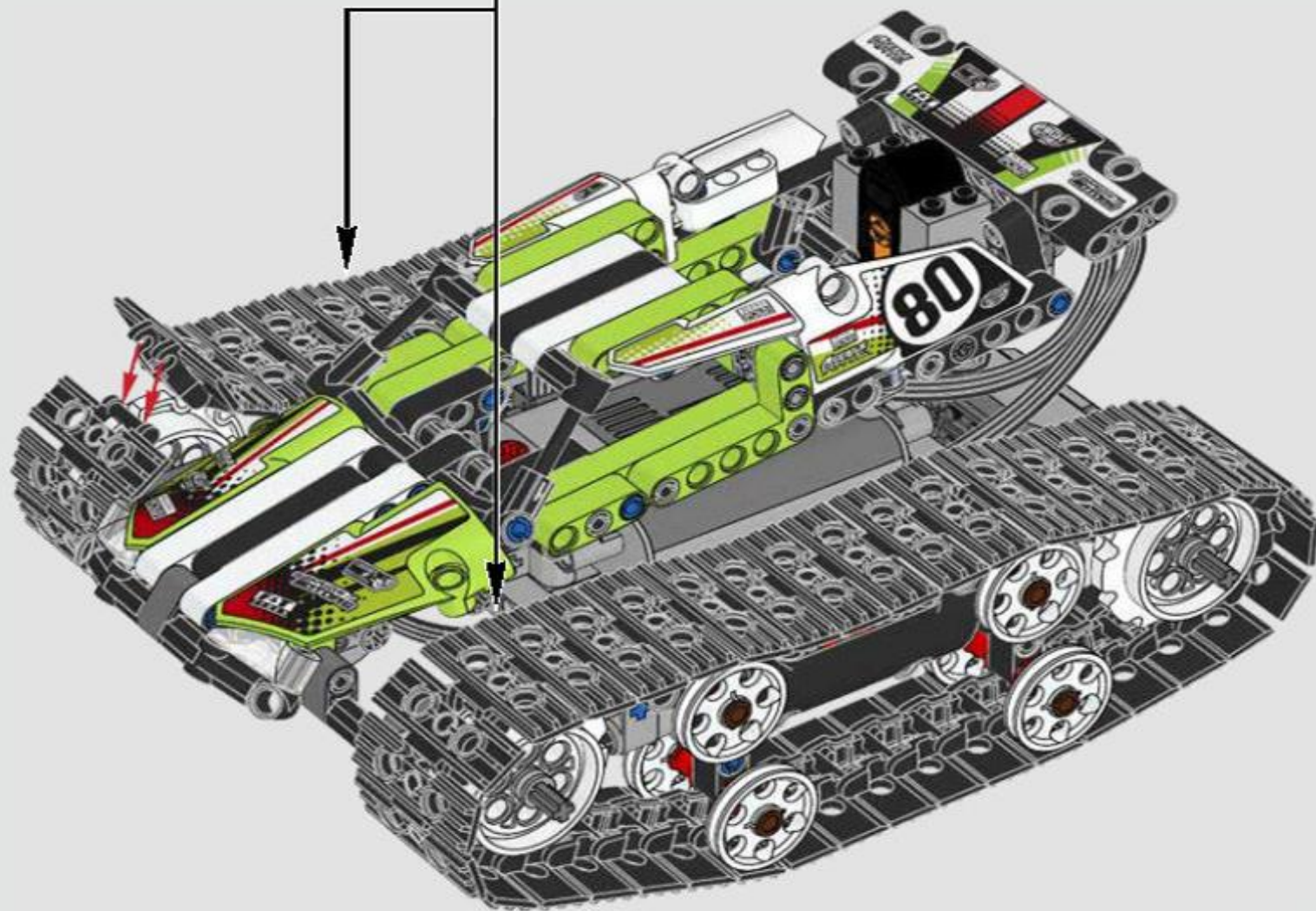
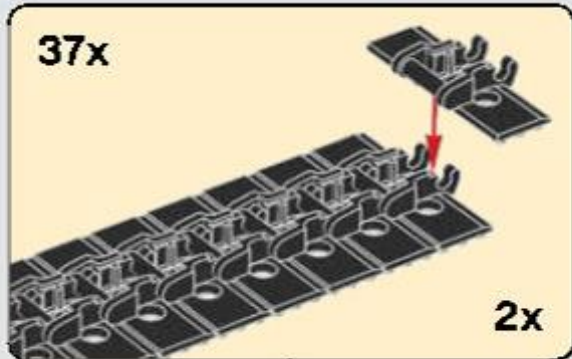
97







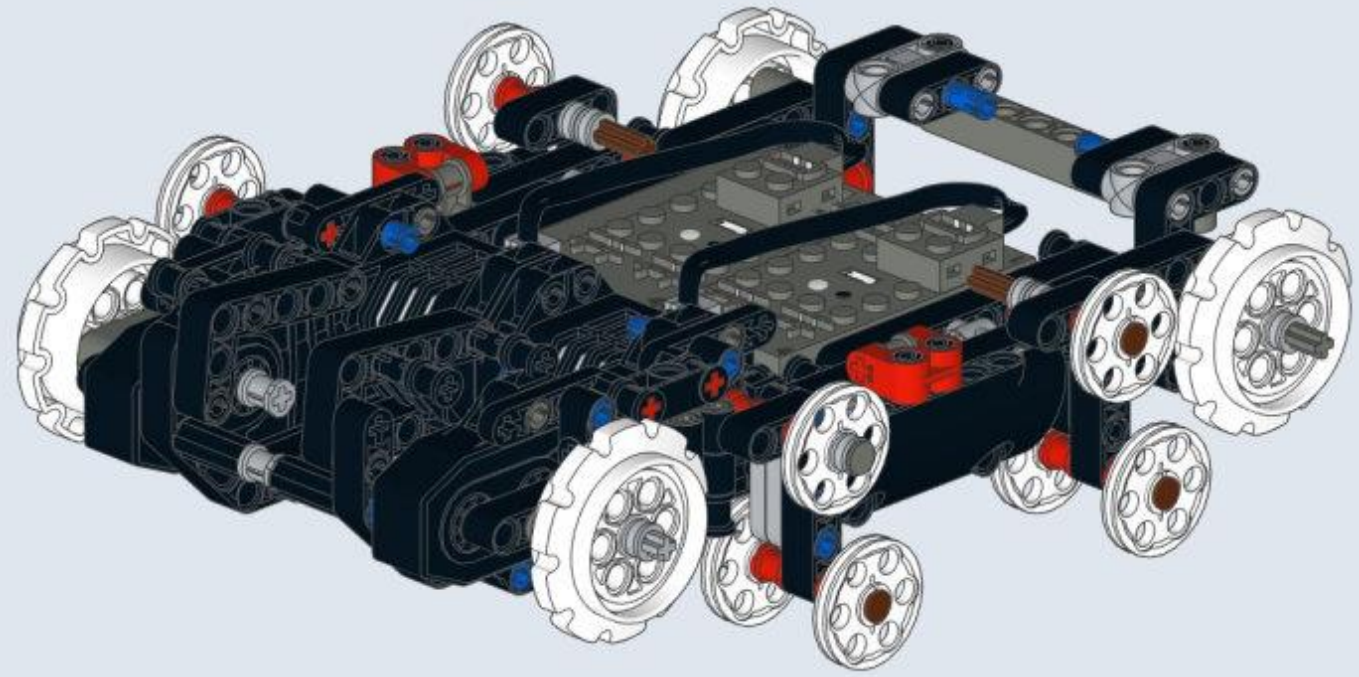
98

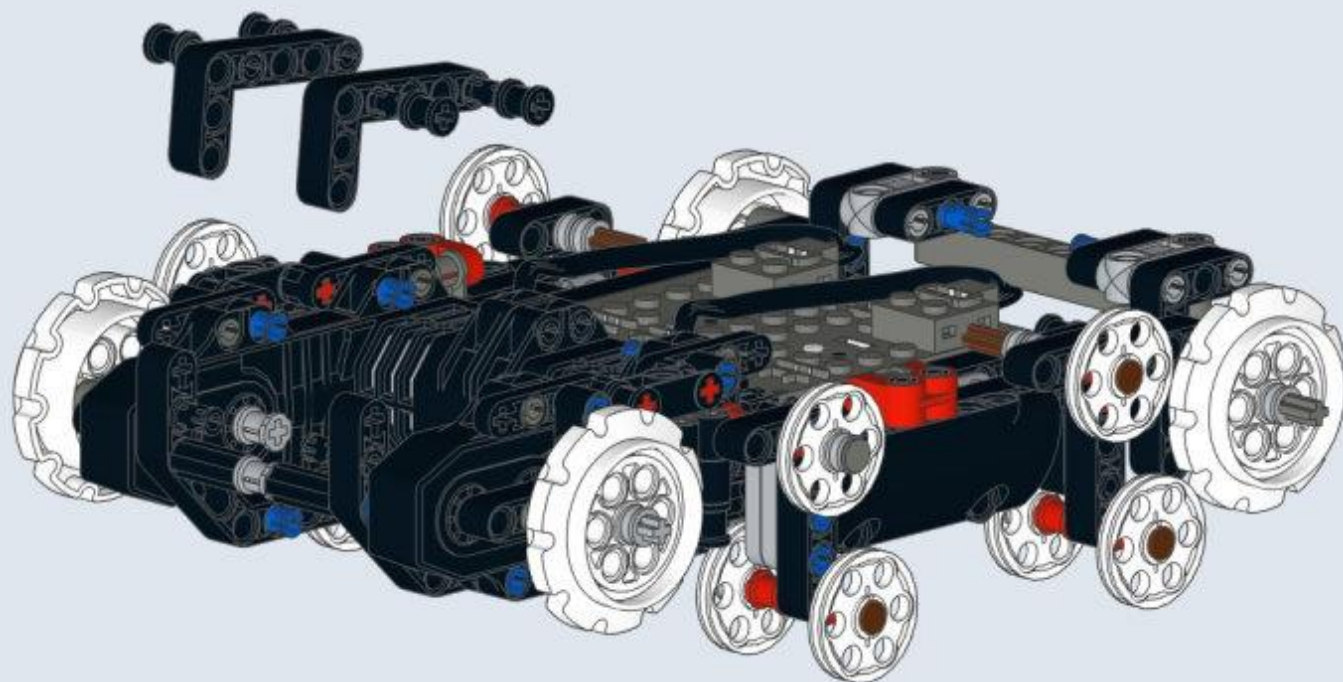






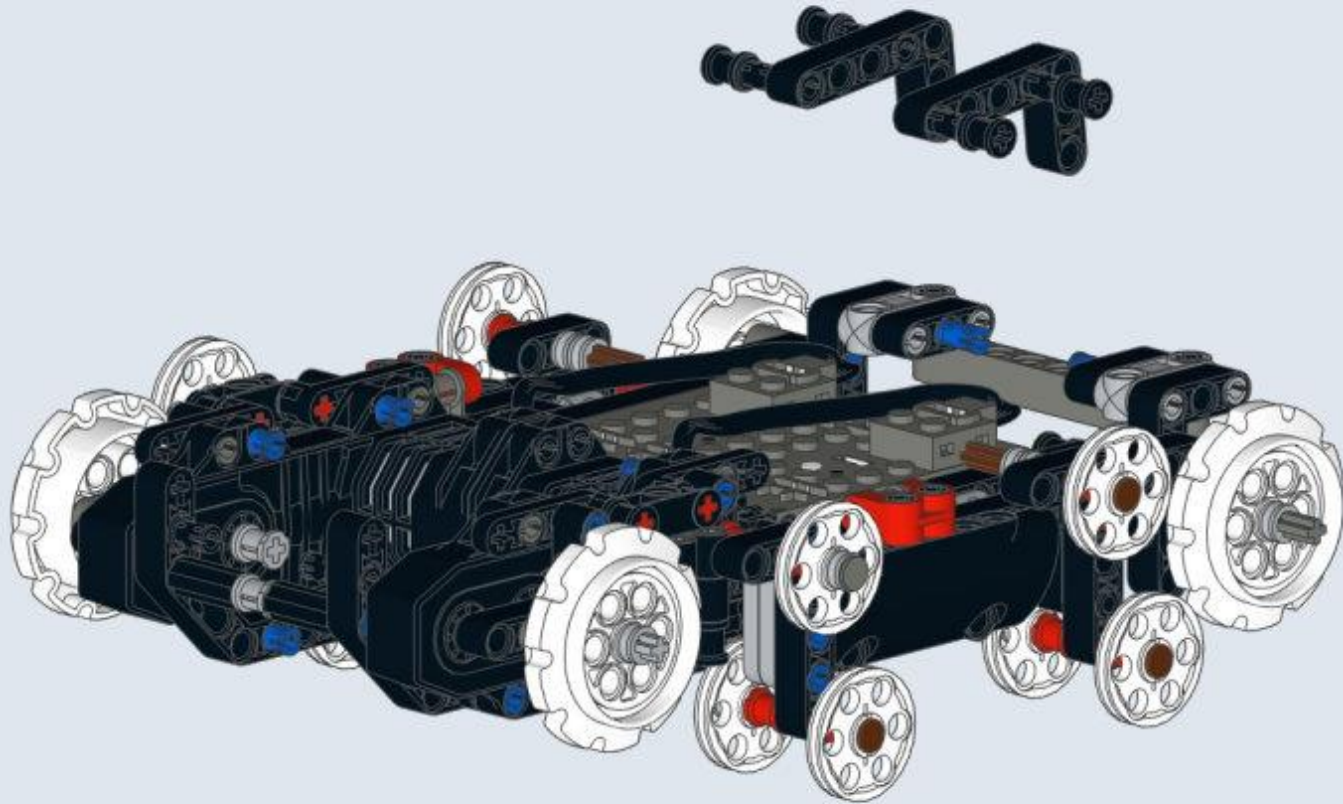
1



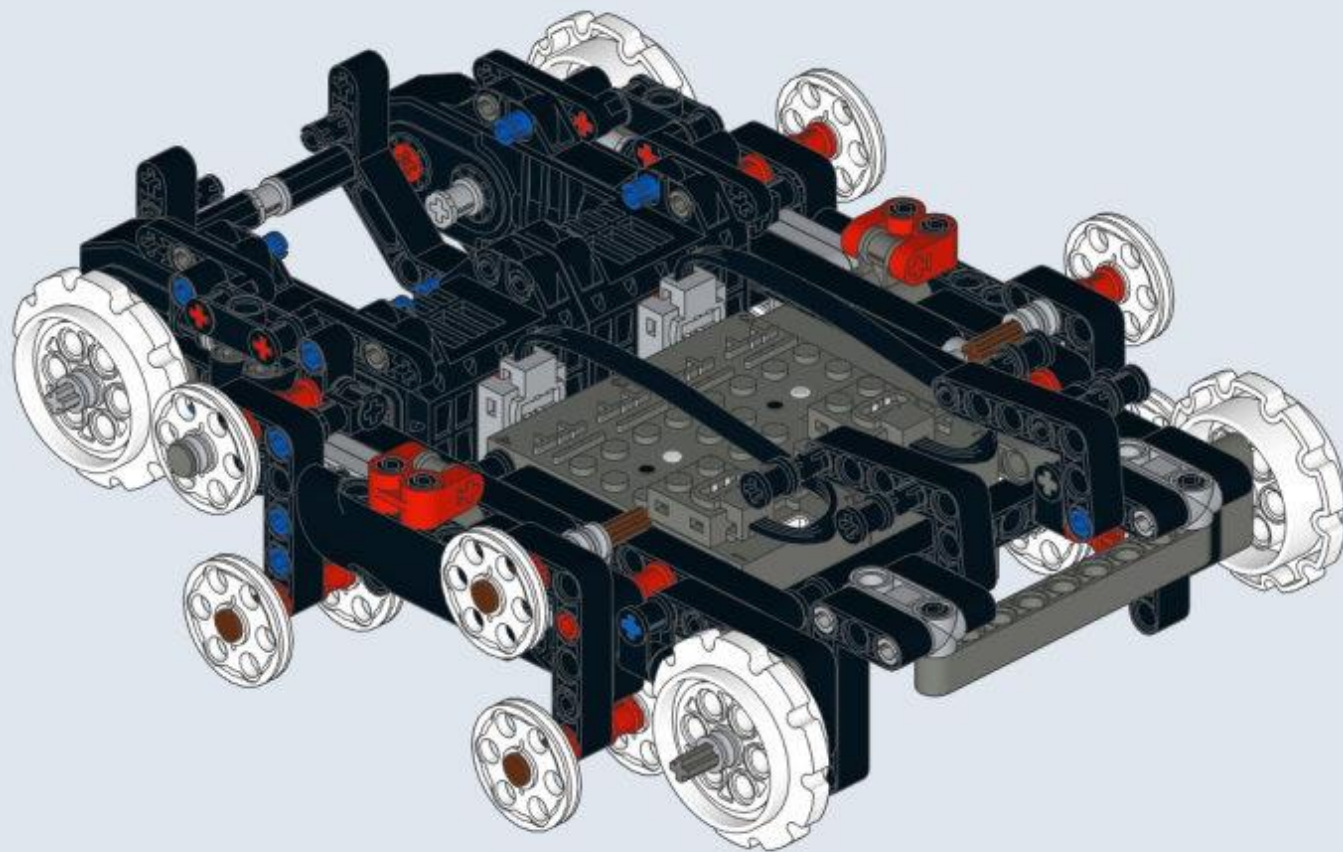




3

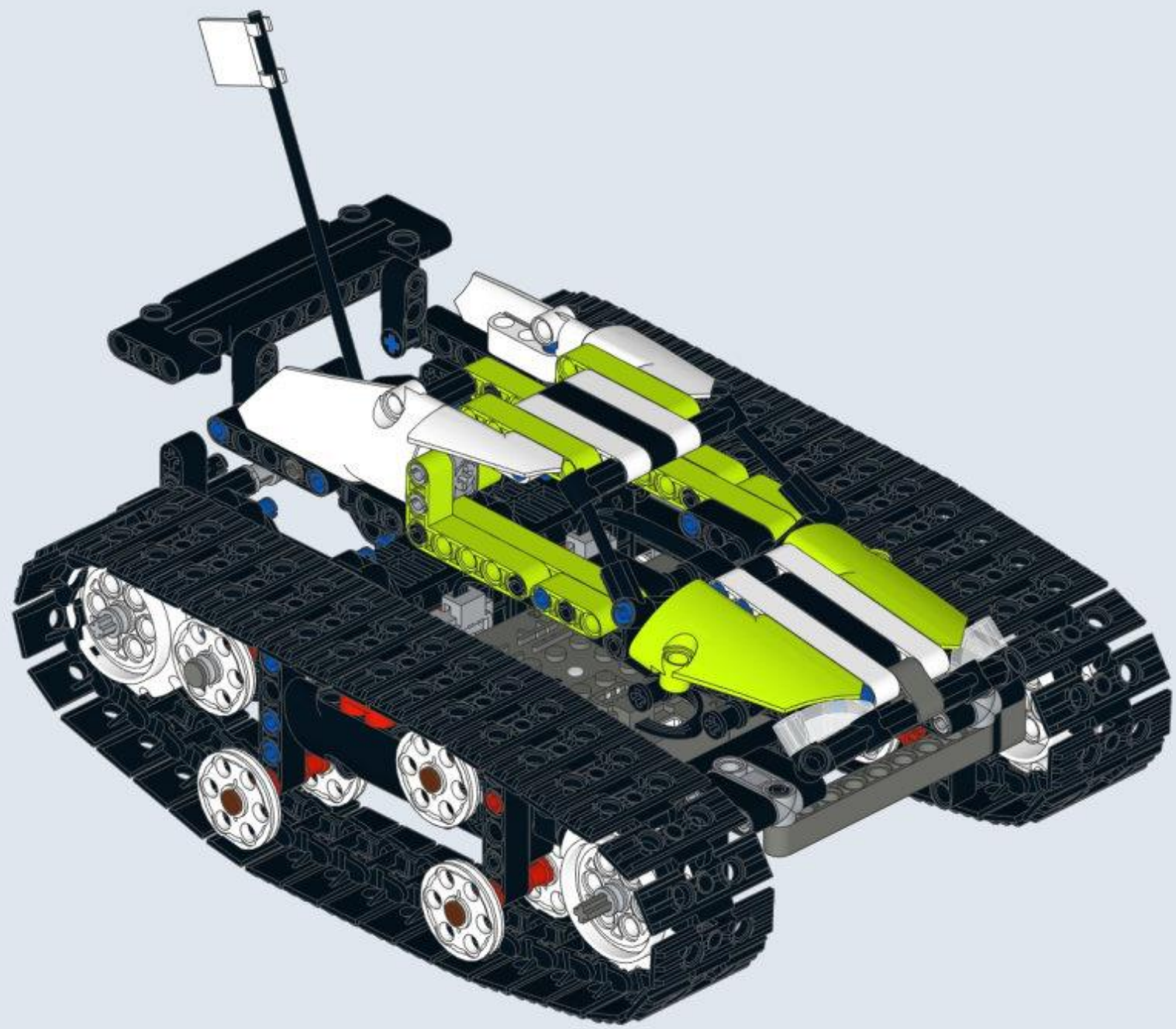








5





1x  
684533



1x  
684530



1x  
6011794



12x  
6173194



1x  
6170737



1x  
6547531



1x  
6547532



4x  
6019617



2x  
4249021



2x  
4495927



4x  
466579



14x  
6014648

227155



4x  
442365



4x  
4173975



1x  
306921



9x  
4140306



18x  
4206432



1x  
306923



26x  
4514553



6x  
4107035



4x  
4107032



39x  
4121715



2x  
6099301



4x  
4512363



4x  
4173970



11x  
4140301



3x  
4952347

6945214

2x  
6945214

74x  
6014648



9x  
4142323



3x  
4142135



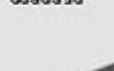
2x  
6150032



1x  
6030356



1x  
6143175



2x  
6170474



1x  
6004097



1x  
6004093



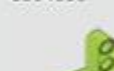
6x  
6170475



2x  
6063602



2x  
6063602



2x  
6063602



2x  
6063602



2x  
6063602

6063602



2x  
4611639



1x  
6130009



12x  
4211573



2x  
4560175



6x  
4211775



2x  
4211553



4x  
4211574



6x  
4211915



2x  
4211939



3x  
4539007



1x  
4535763



4x  
4542577



4x  
4542577

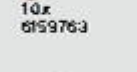


4x  
4542577

4542577



10x  
6159763



3x  
6006141



2x  
4210655



9x  
6015356



6x  
4210751



4x  
4503553



4x  
4645730



4x  
4645730



4x  
4645730

Customer Service

Kundenservice

Service Consommateurs

Servicio Al Consumidor

LEGO.com/service or dial



: 00800 5346 5555

: 1-800-422-5348

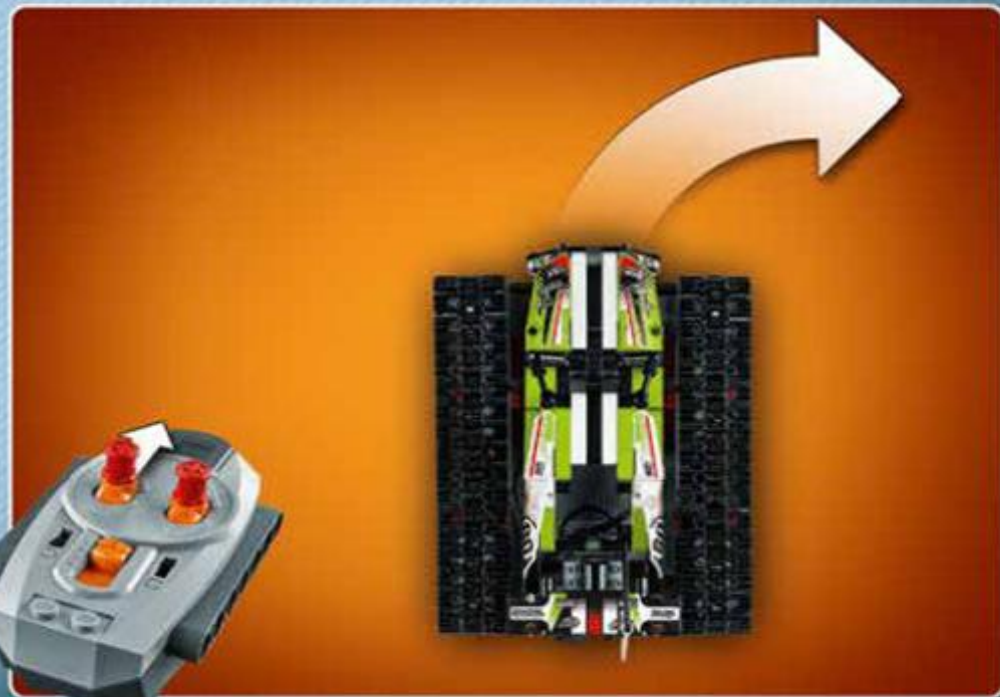
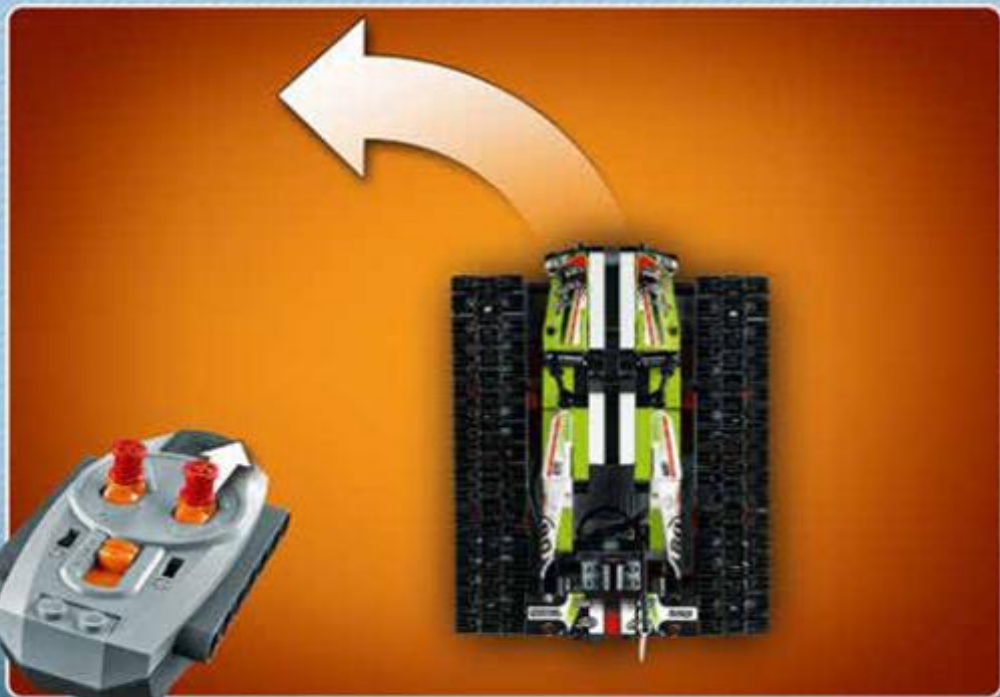
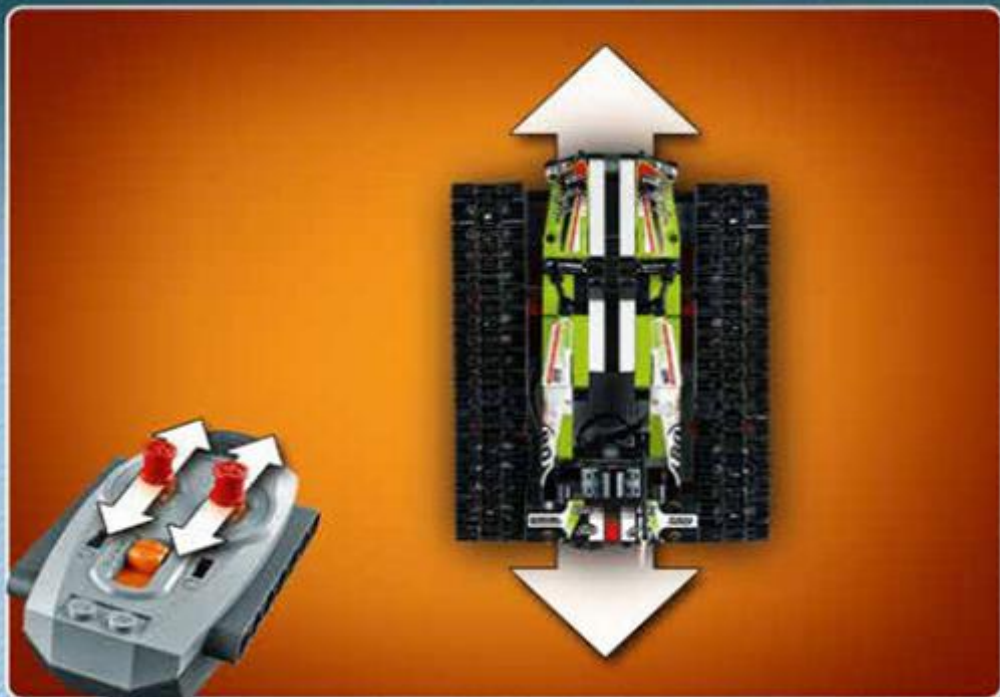
















# TECHNIC



42066



42062





42064

42061

42063

 **BMW Motorrad**

The BMW logo, the BMW word mark and model designations are trademarks of BMW and are used under license.







# WIN

GO TO [WWW.LEGO.COM/PRODUCTFEEDBACK](http://WWW.LEGO.COM/PRODUCTFEEDBACK) AND GIVE US YOUR SHORT **FEEDBACK** ABOUT THIS LEGO® SET FOR A CHANCE TO WIN A COOL LEGO PRIZE.



Terms & Conditions apply

## LEGO.com/productfeedback

### GEWINNE

Erzähle uns auf [www.LEGO.com/productfeedback](http://www.LEGO.com/productfeedback)

etwas über die Erfahrungen, die du mit diesem LEGO® Set gemacht hast, und sichere dir die Chance auf einen coolen LEGO Preis!

Es gelten die Teilnahmebedingungen

### GAGNE

Rends-toi sur [www.LEGO.com/productfeedback](http://www.LEGO.com/productfeedback)

et donne-nous quelques commentaires sur ce produit LEGO® pour avoir une chance de gagner un prix LEGO!

Voir Conditions Générales

### GANAN

Visita [www.LEGO.com/productfeedback](http://www.LEGO.com/productfeedback)

y envíanos tu opinión acerca de este set LEGO®. ¡Participarás en el sorteo de un premio LEGO!

Términos y Condiciones aplicables

### 获取奖品

登录 [www.LEGO.com/productfeedback](http://www.LEGO.com/productfeedback)

给出关于此乐高®套装的简短反馈，就有机会获得炫酷乐高奖品

【条款及条件】适用

### 경품 당첨 기회

[www.LEGO.com/productfeedback](http://www.LEGO.com/productfeedback)

페이지로 이동하여 이 최고\* 세트에 대한 간단한 피드백을 보내 주시고 멋진 리그 경품을 받을 수 있는 기회도 잡으십시오

약관 적용

### ЗАПОЛНИ АНКЕТУ И ПОЛУЧИ ПРИЗ

Перейди по ссылке [www.LEGO.com/productfeedback](http://www.LEGO.com/productfeedback)

ответь всего на несколько вопросов об этом наборе LEGO® и у тебя появится шанс выиграть замечательный приз от компании LEGO

Применяются Условия и правила участия

LEGO and the LEGO logo are trademarks of the LEGO Group. Les marques de commerce (division) sont des marques déposées de LEGO Group. ©2017 The LEGO Group





**Thank you for your support!**

**I hope you enjoyed this build,  
click here to check out my  
other creations!**